



US00D367560S

United States Patent [19]
Kwan

[11] **Patent Number: Des. 367,560**

[45] **Date of Patent: **Mar. 5, 1996**

[54] **SPORTS EQUIPMENT HOLDER**

5,165,538 11/1992 Peters .

[76] Inventor: **Patrick P. Kwan**, 18020 - 57th Ave.,
NE., Seattle, Wash. 98144

FOREIGN PATENT DOCUMENTS

69963 1/1992 Canada .

[**] Term: **14 Years**

Primary Examiner—Janice E. Seeger
Attorney, Agent, or Firm—Graybeal Jackson Haley &
Johnson

[21] Appl. No.: **33,605**

[22] Filed: **Jan. 17, 1995**

[57] **CLAIM**

[52] **U.S. Cl.** **D6/310; D6/302; D6/314**

[58] **Field of Search** **D6/300-314, 470,**
D6/471, 472, 457; 40/152, 152.1, 153,
154, 158.1, 160

The ornamental design for a sports equipment holder, as shown and described.

DESCRIPTION

[56] **References Cited**

U.S. PATENT DOCUMENTS

D. 158,699	5/1950	Wasilevich .	
D. 219,851	2/1971	Loewy	D6/472
D. 220,146	3/1971	Loewy	D6/472
D. 229,458	12/1973	Schneider .	
D. 233,390	10/1974	Povitz	D6/309
D. 260,864	9/1981	Perry .	
D. 278,109	3/1985	Leeds	D6/419
D. 352,176	11/1994	McMillan .	
2,434,860	1/1948	Oxley	D6/314
3,658,413	4/1972	Cornell .	
3,703,045	11/1972	Nyman .	
4,019,269	4/1977	Vix .	
4,195,729	4/1980	Macken .	
4,199,883	4/1980	Cross	40/152.1
5,082,110	1/1992	Hager .	

FIG. 1 is a front perspective view of a sports equipment holder, showing my new design;
FIG. 2 is a front view in elevation of the sports equipment holder of FIG. 1;
FIG. 3 is a rear view in elevation of the sports equipment holder of FIG. 1;
FIG. 4 is a side view in elevation as seen from the right-hand side of the sports equipment holder of FIG. 1;
FIG. 5 is a side view in elevation as seen from the left-hand side of the sports equipment holder of FIG. 1;
FIG. 6 is a top plan view of the sports equipment holder of FIG. 1; and,
FIG. 7 is a bottom plan view of the sports equipment holder of FIG. 1.

1 Claim, 2 Drawing Sheets

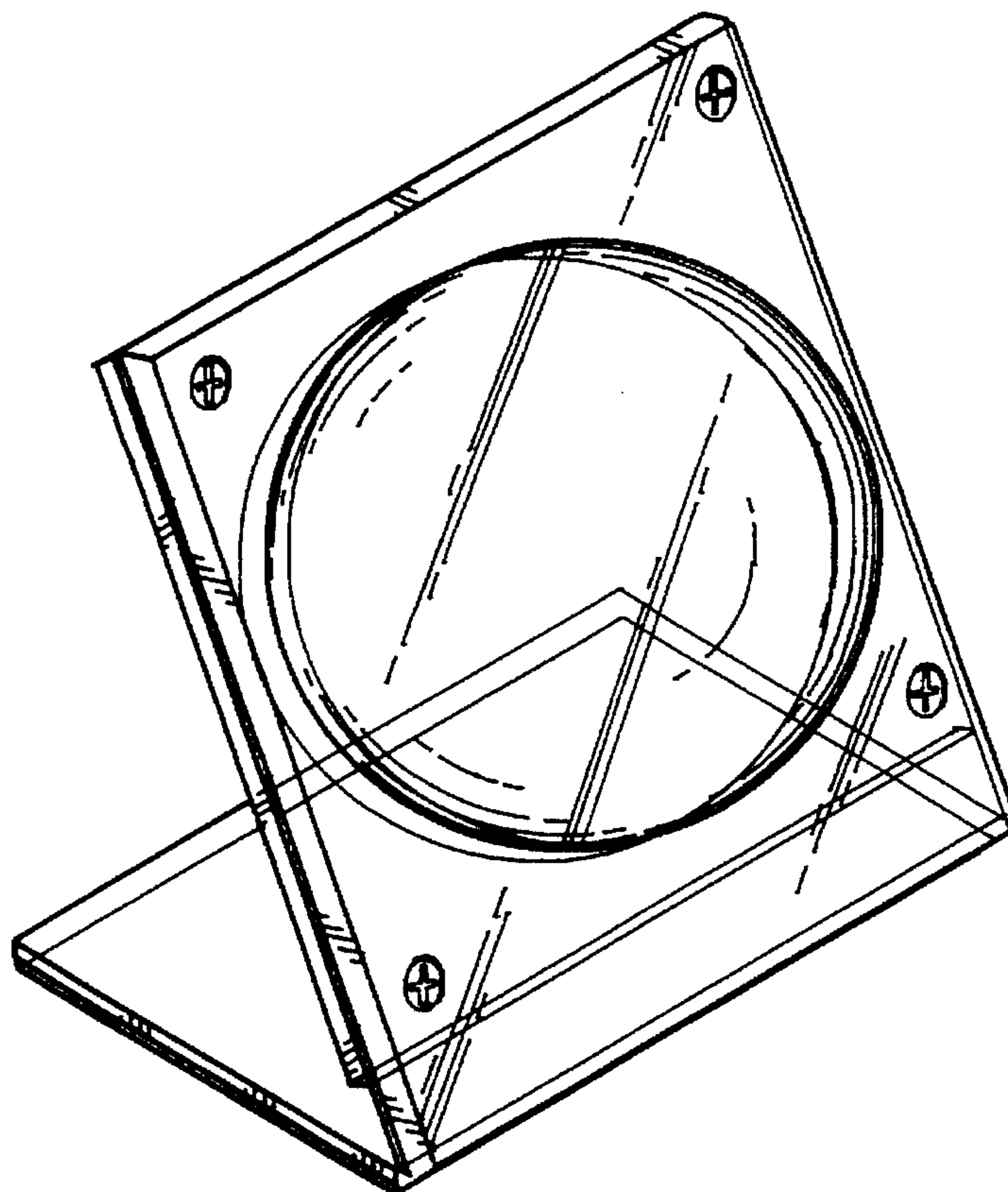


FIG. 1

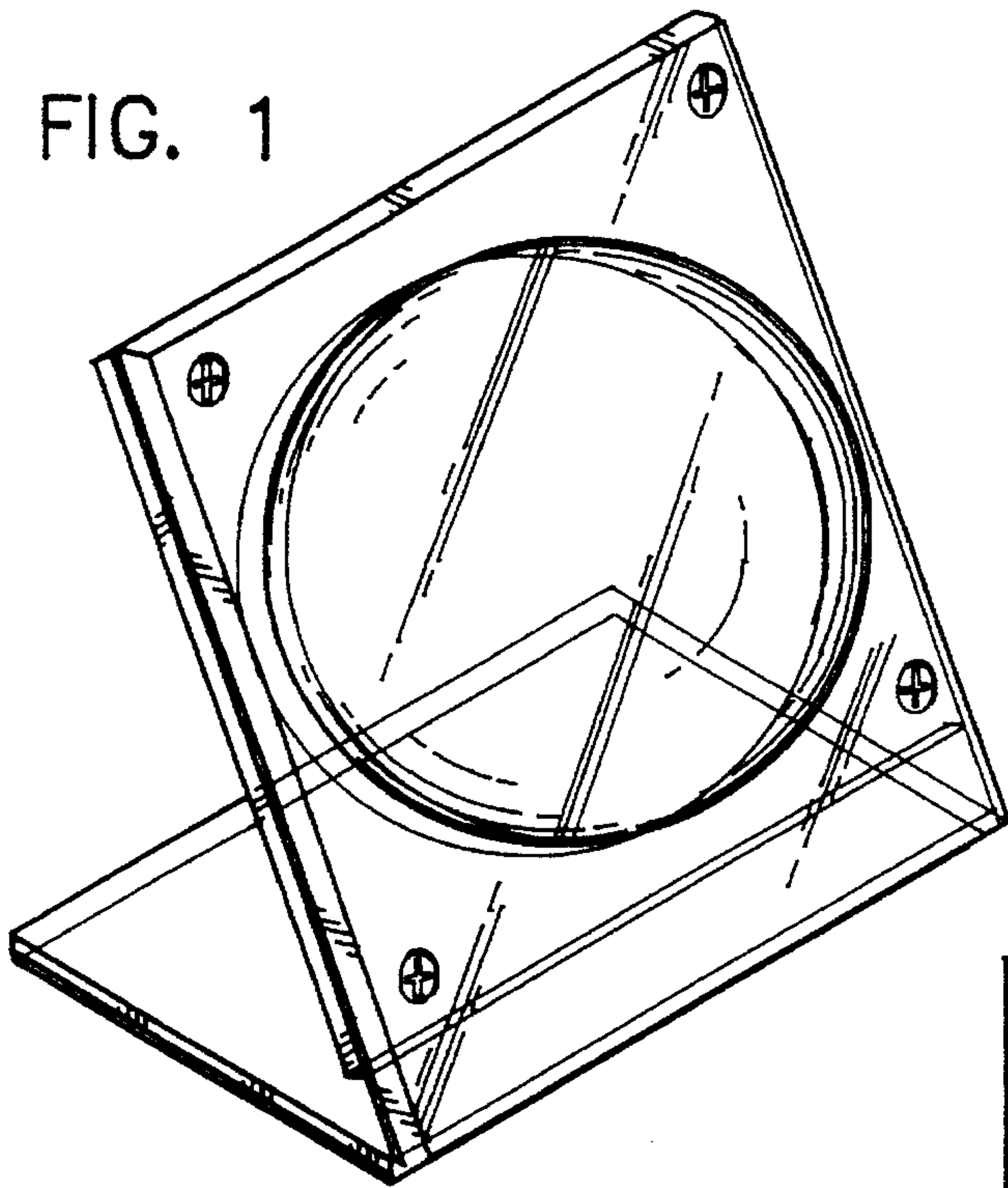


FIG. 2

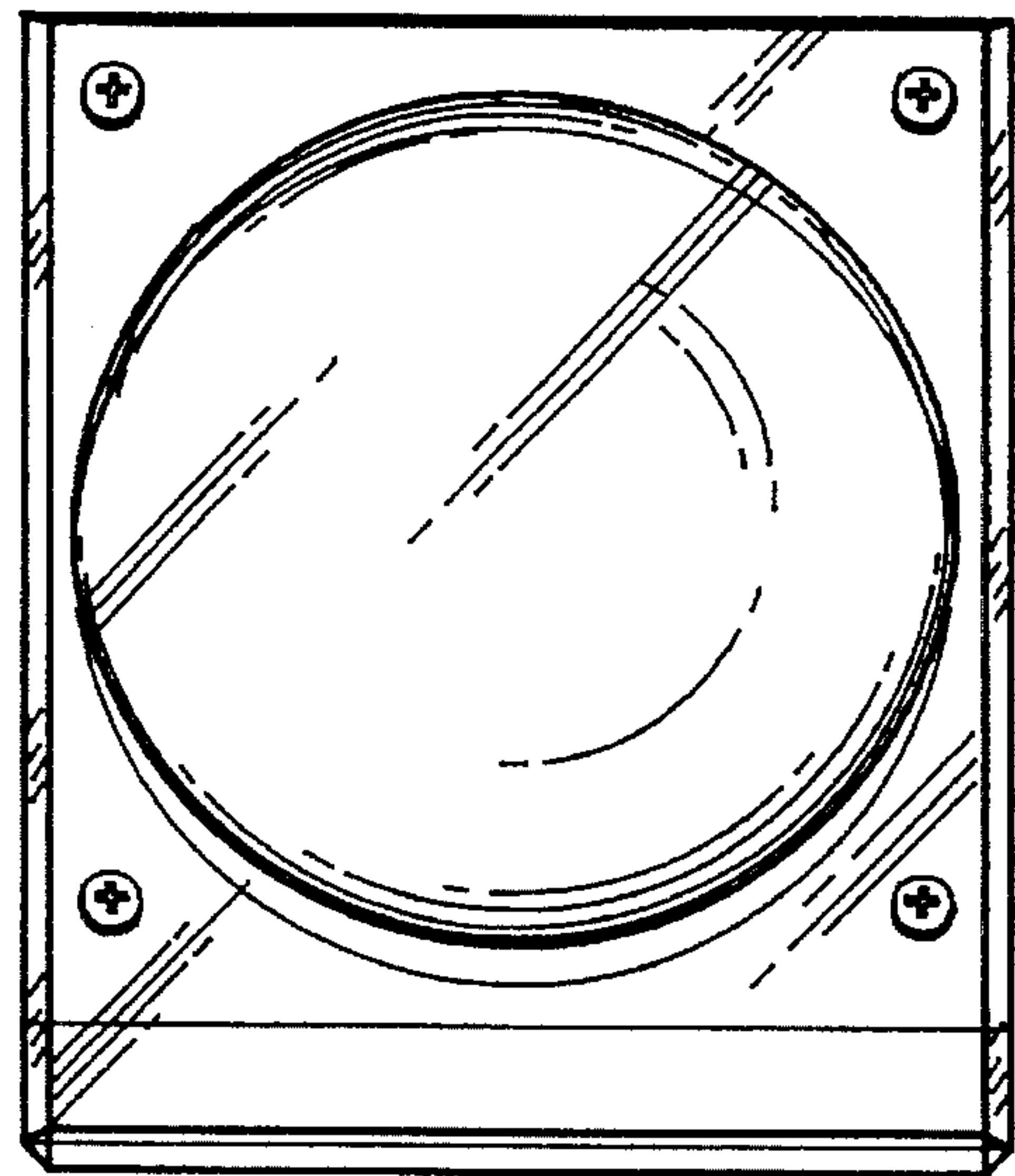


FIG. 3

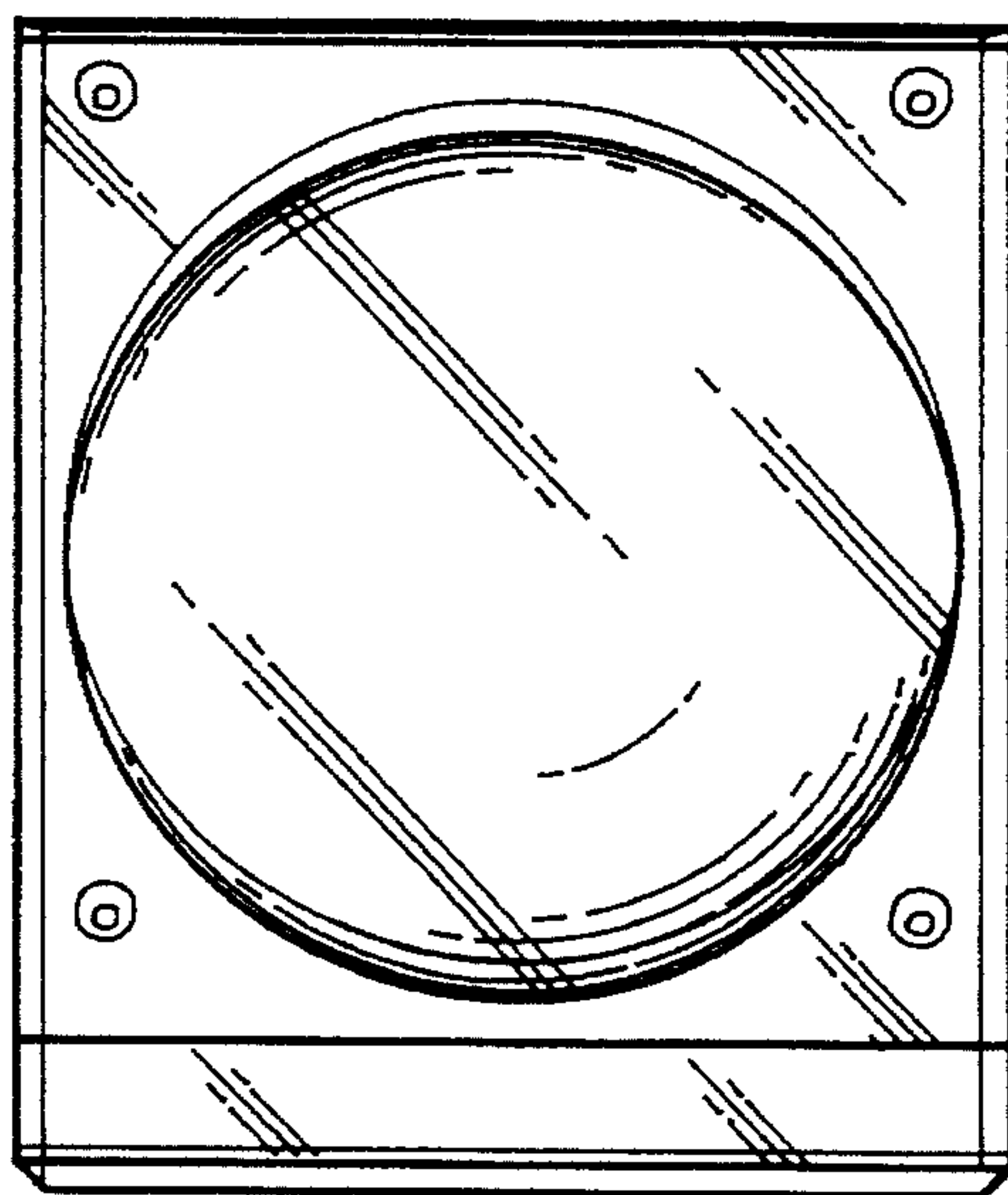


FIG. 4

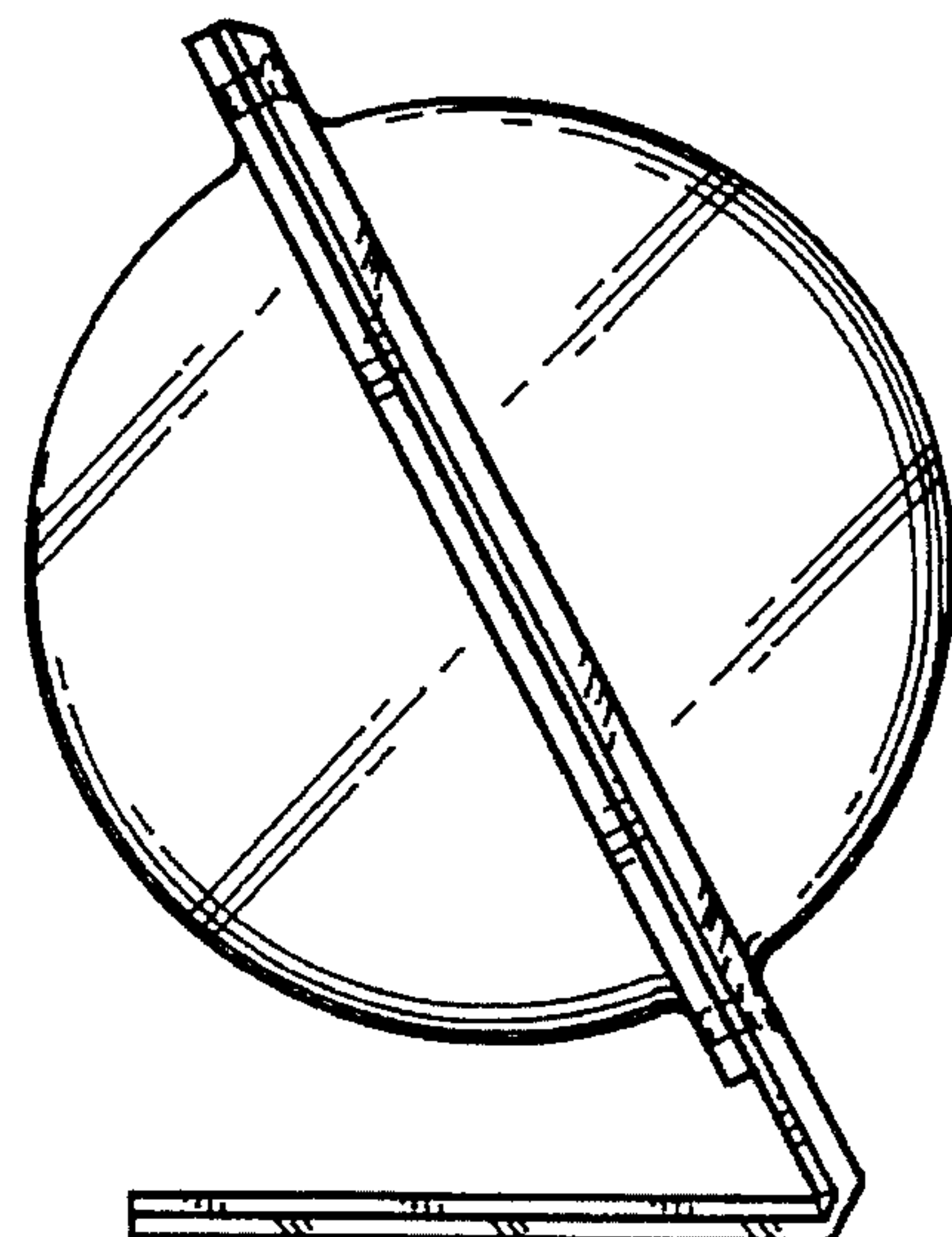


FIG. 5

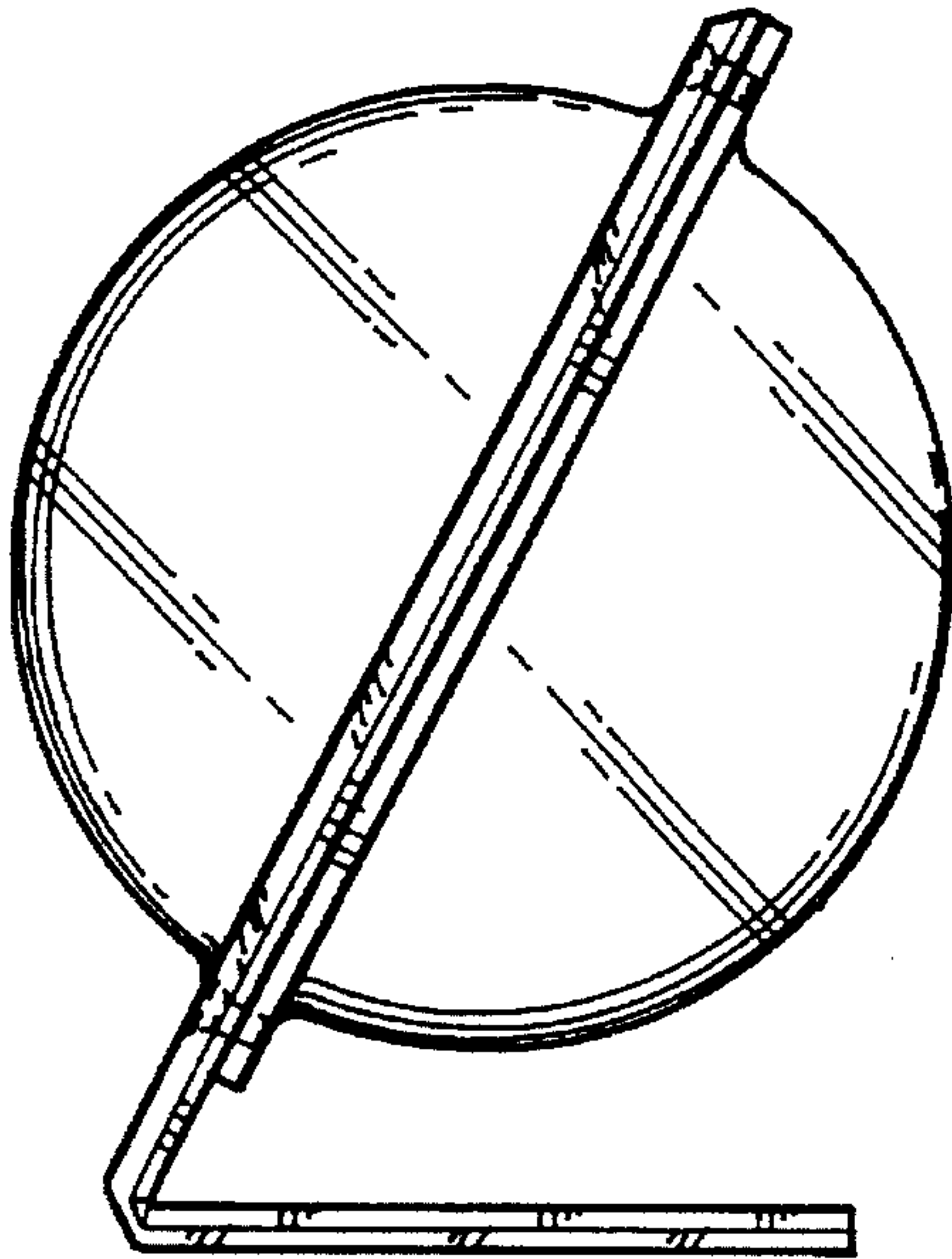


FIG. 6

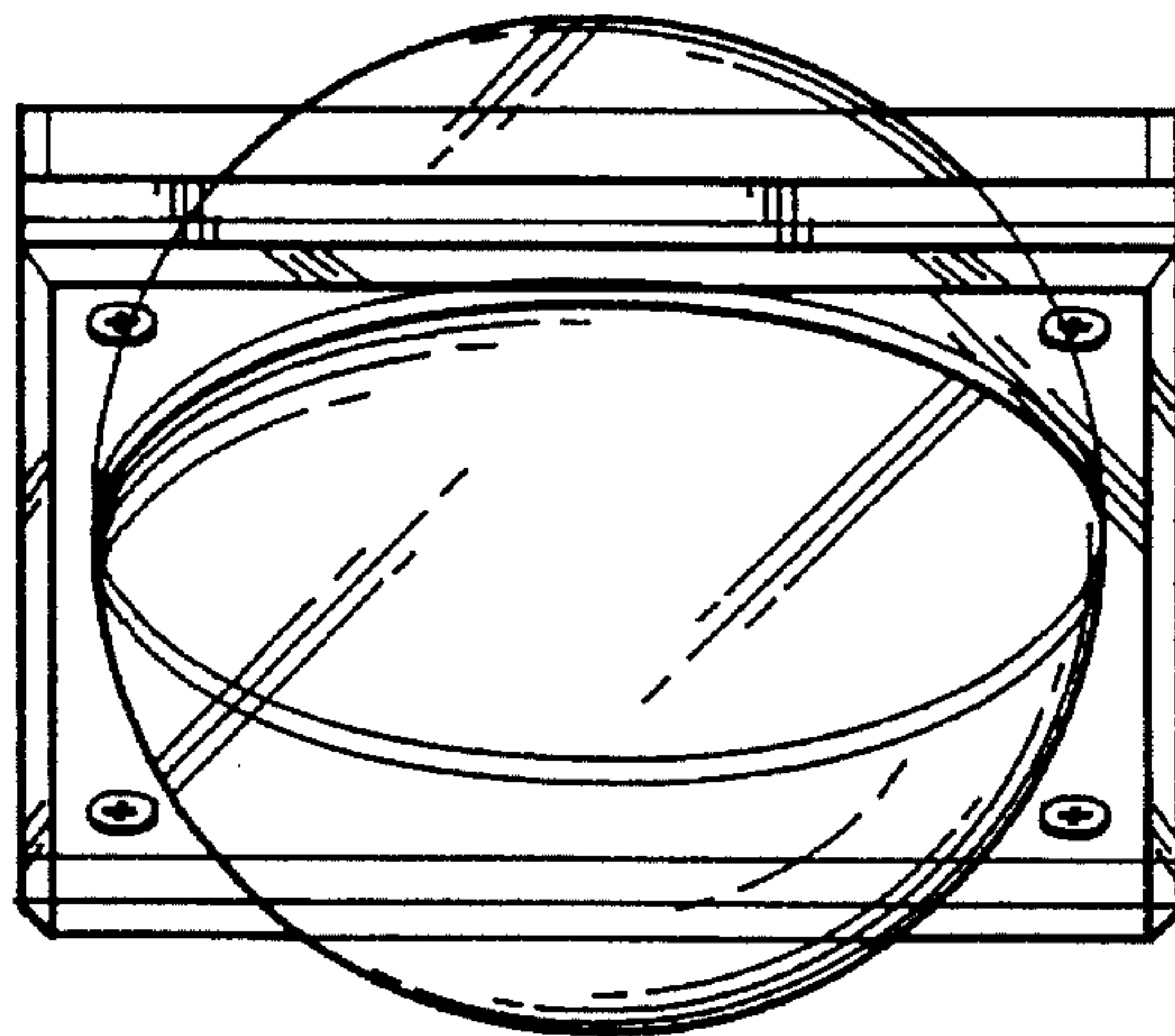


FIG. 7

