



US00D367558S

United States Patent [19]

[11] Patent Number: **Des. 367,558**

Lai

[45] Date of Patent: ****Mar. 5, 1996**

[54] **COSMETIC KIT**

D. 348,984	7/1994	Gilbert et al.	D3/901 X
D. 354,622	1/1995	Lovell	D3/281
5,358,100	10/1994	Wolff	206/581 X

[76] Inventor: **Chin-Chun Lai**, No. 21, Pu Ting Road, Shinchu Shiang, Taiwan

Primary Examiner—Louis S. Zarfaz
Assistant Examiner—Monica A. Hannon

[**] Term: **14 Years**

[21] Appl. No.: **16,413**

[57] **CLAIM**

[22] Filed: **Dec. 14, 1993**

The ornamental design for a cosmetic kit, as shown and described.

[52] U.S. Cl. **D3/281**; D3/315; D3/901

[58] **Field of Search** D3/201, 203, 205, D3/207, 208, 210, 212, 230, 247, 249, 250, 253, 264, 273, 274, 276, 281-284, 286, 287, 290-296, 299, 303-305, 307-329, 900-904; D28/25, 73, 76, 77, 79, 82, 83; 206/5.1, 45.24, 69, 235, 238, 305, 362.1, 362, 372, 373, 376, 443, 457, 563, 581, 823; 220/4, 22, 4.23, 23.85, 213, 335, 755, 776; 190/116

DESCRIPTION

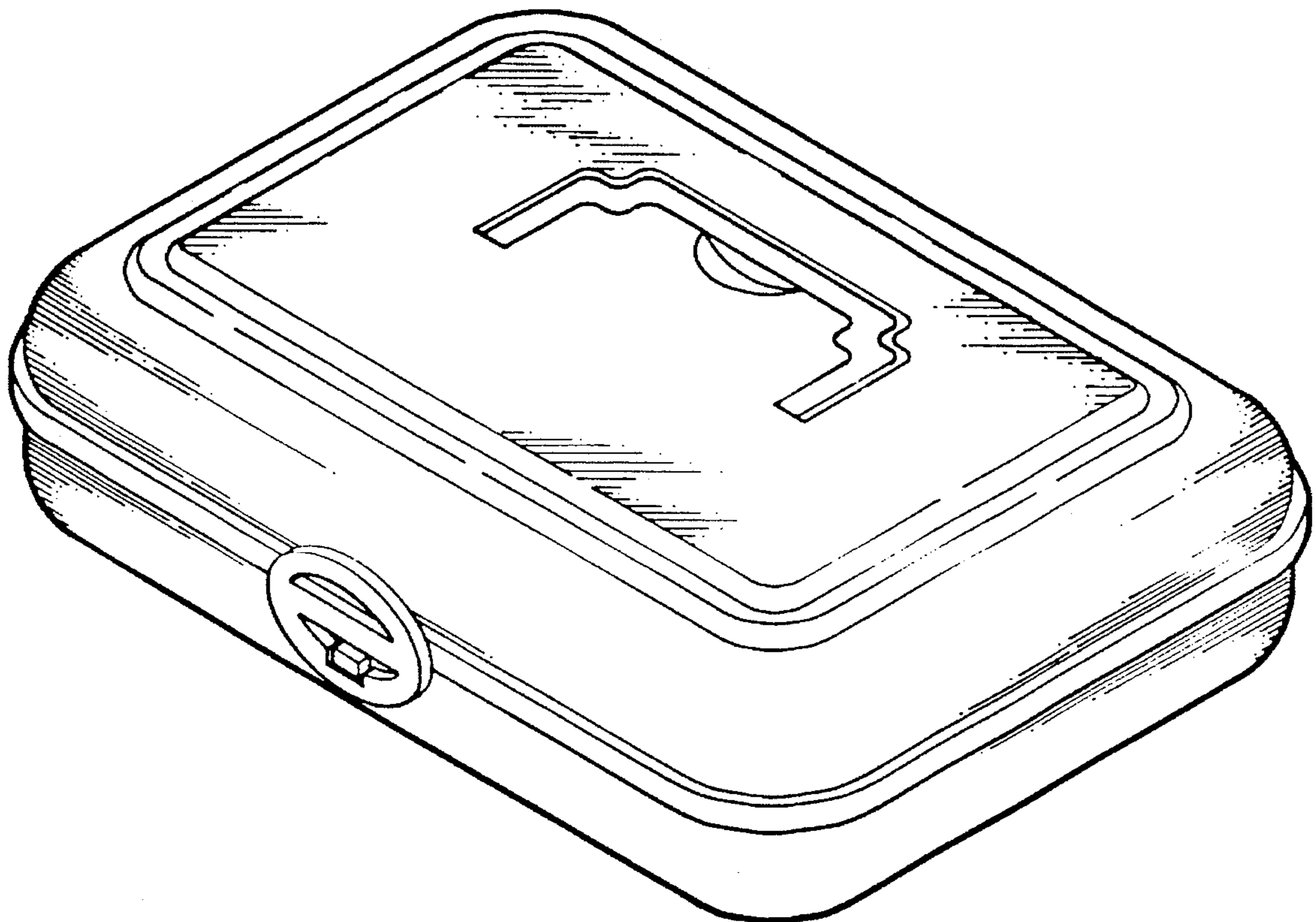
FIG. 1 is a front elevational view of a cosmetic kit showing my new designs;
FIG. 2 is a rear elevational view;
FIG. 3 is a left side elevational view;
FIG. 4 is a right side elevational view;
FIG. 5 is a top plan view;
FIG. 6 is a bottom plan view;
FIG. 7 is a top, front and right side perspective view thereof; and,
FIG. 8 is a perspective view in operating the handle of the present design.

[56] **References Cited**

U.S. PATENT DOCUMENTS

D. 315,247	3/1991	Lovell	D3/281
D. 317,528	6/1991	Harvey	D3/903 X

1 Claim, 4 Drawing Sheets



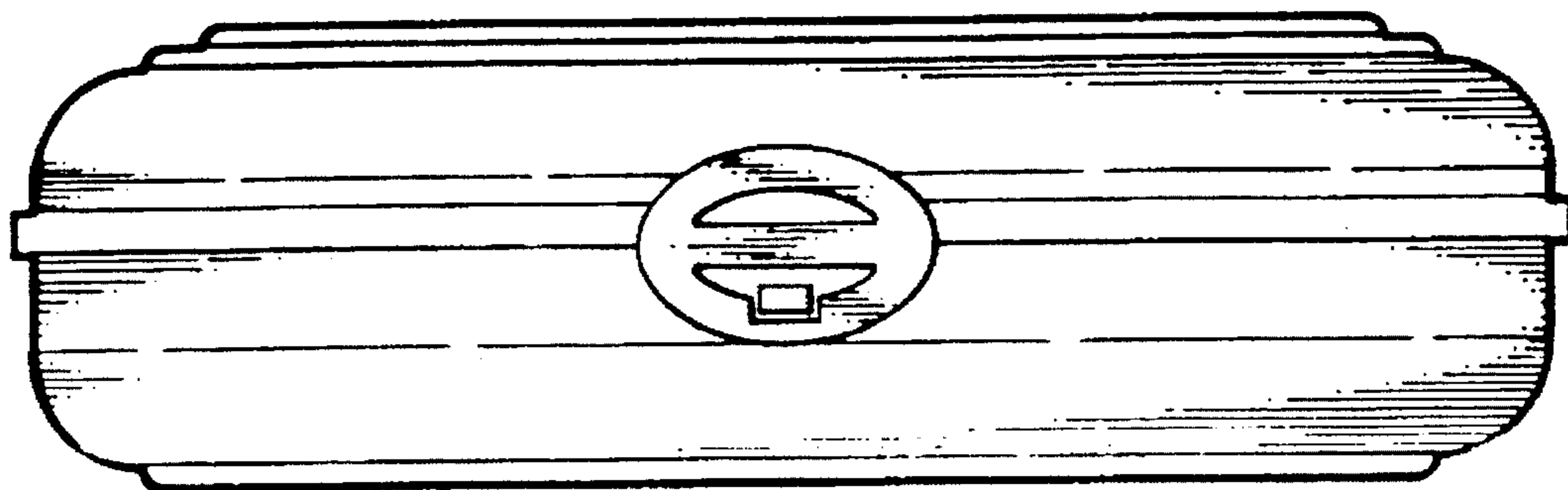


Fig. 1

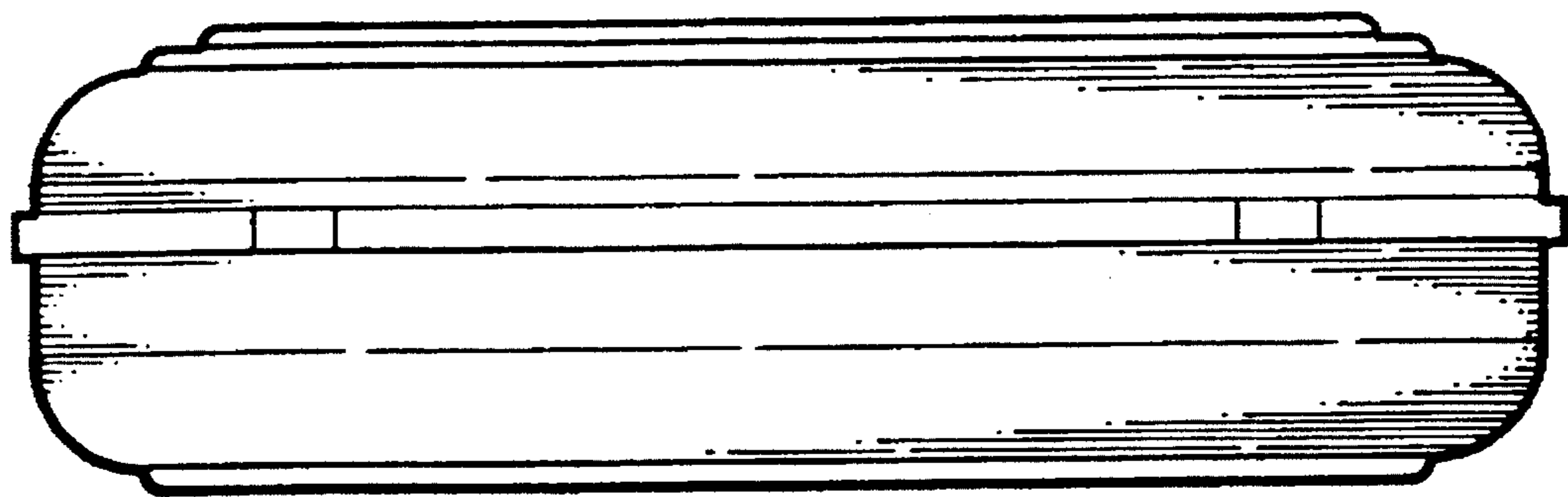


Fig. 2

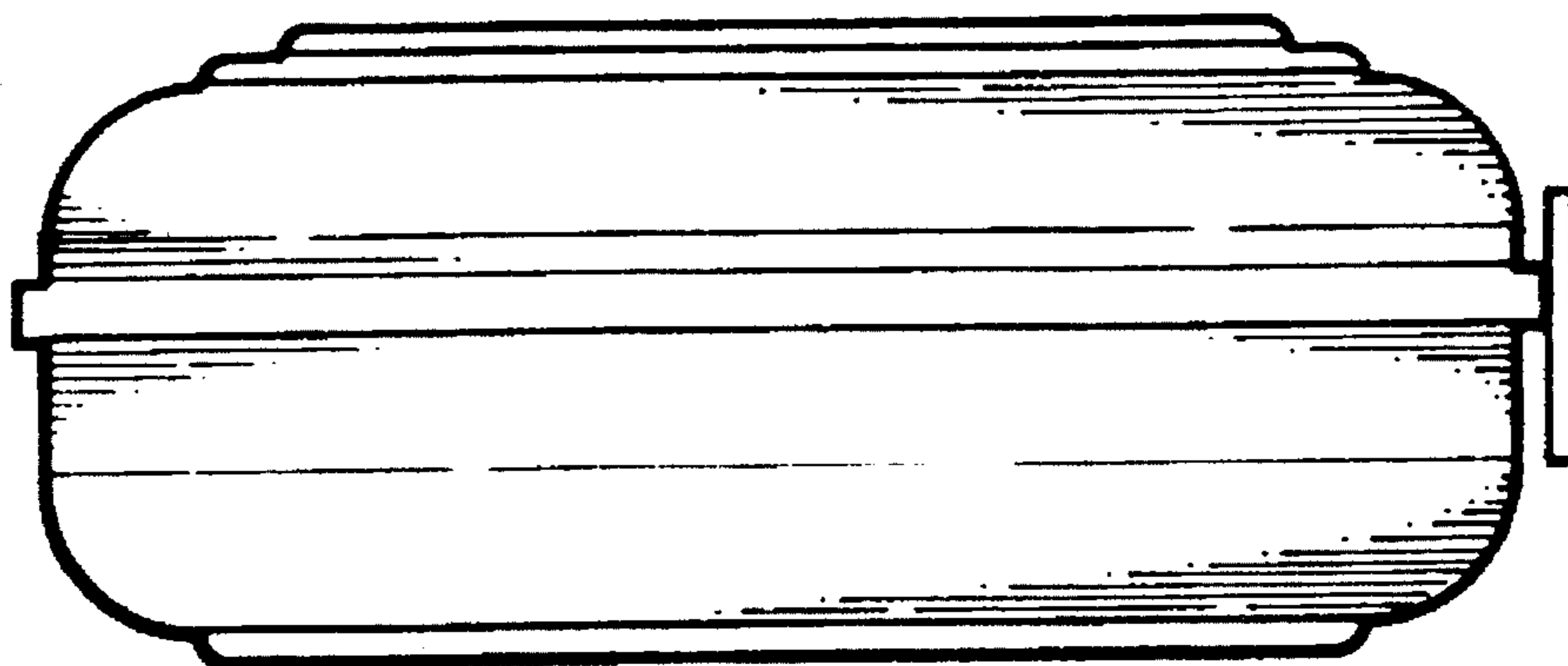


Fig. 3

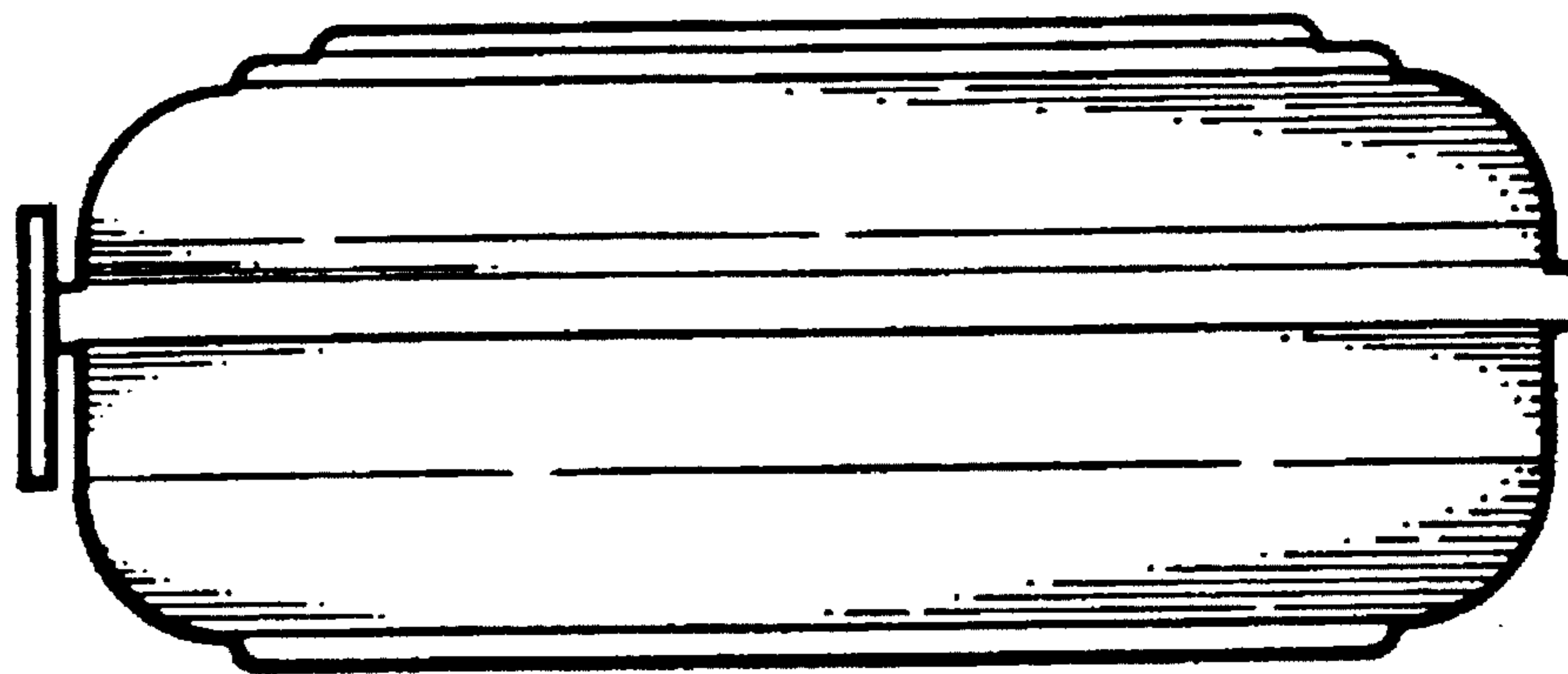


Fig. 4

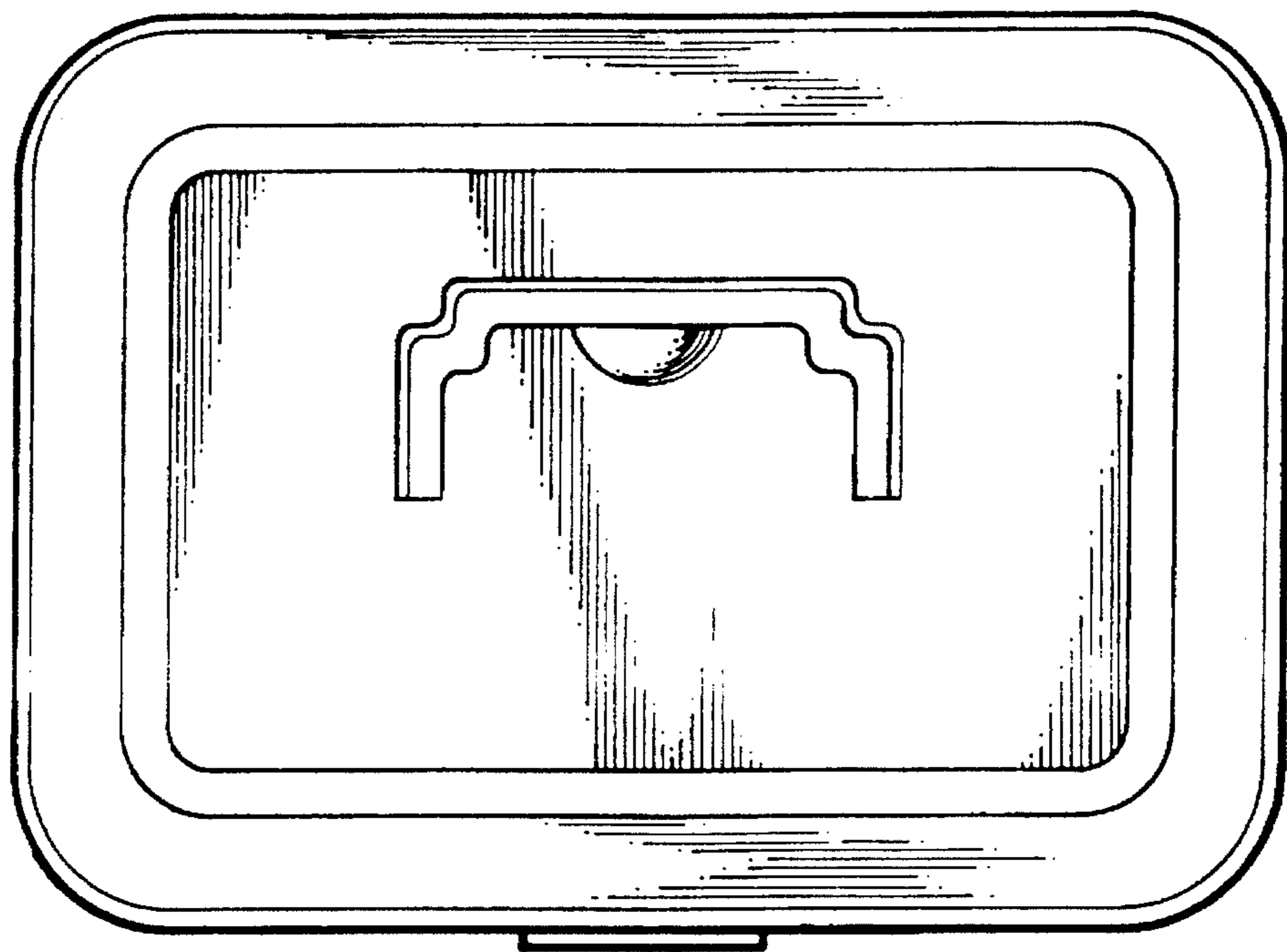


Fig. 5

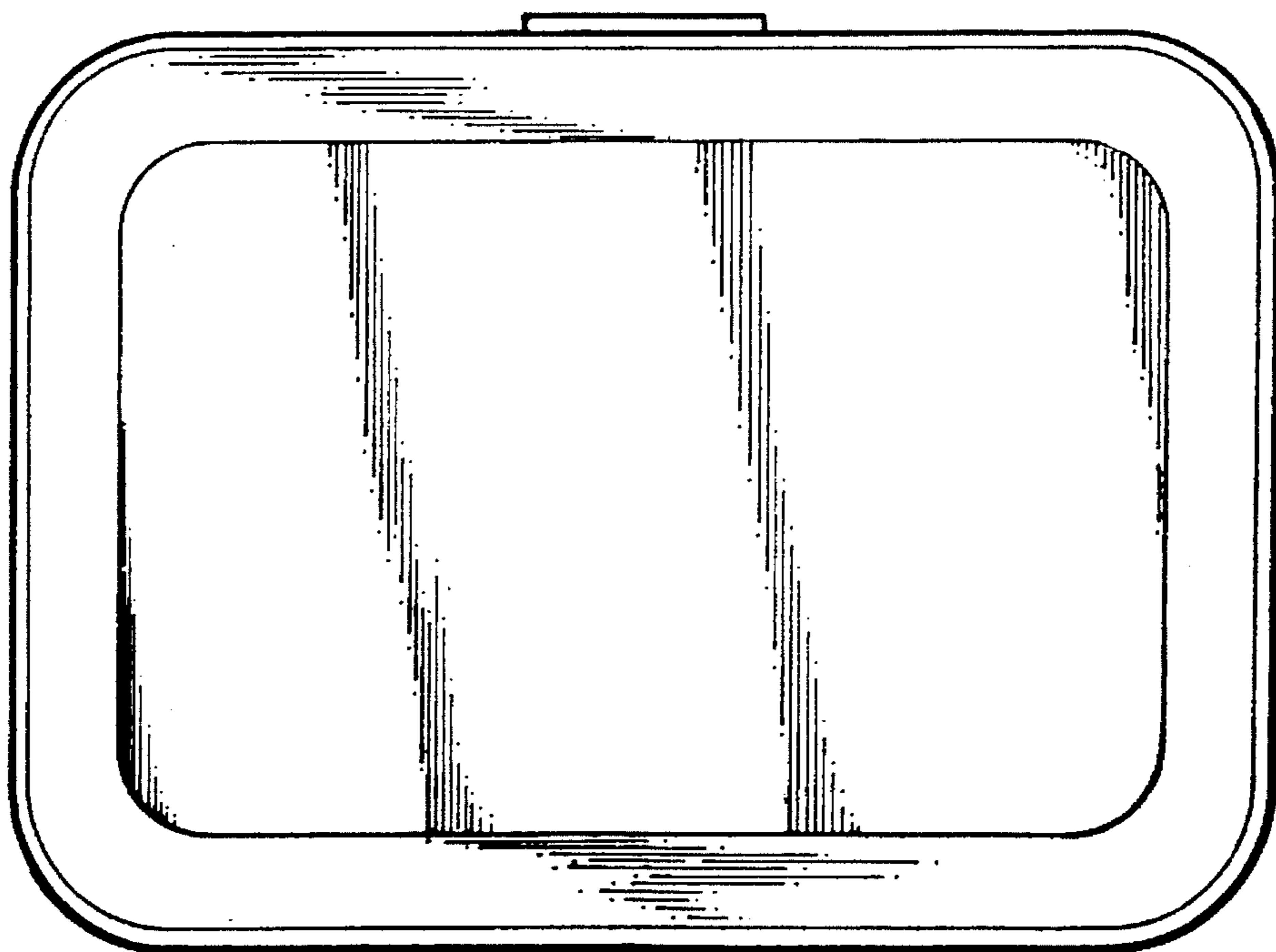


Fig. 6

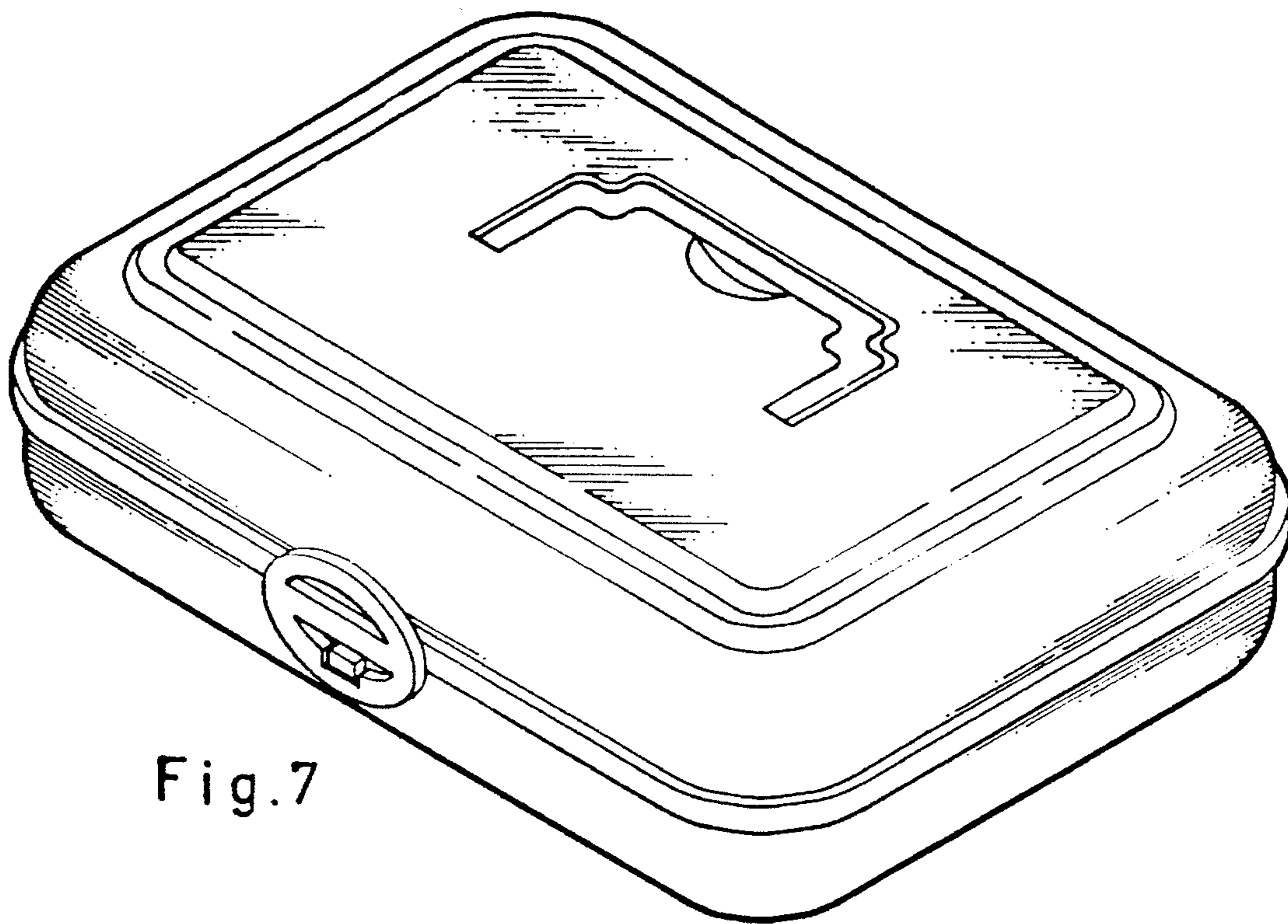


Fig. 7

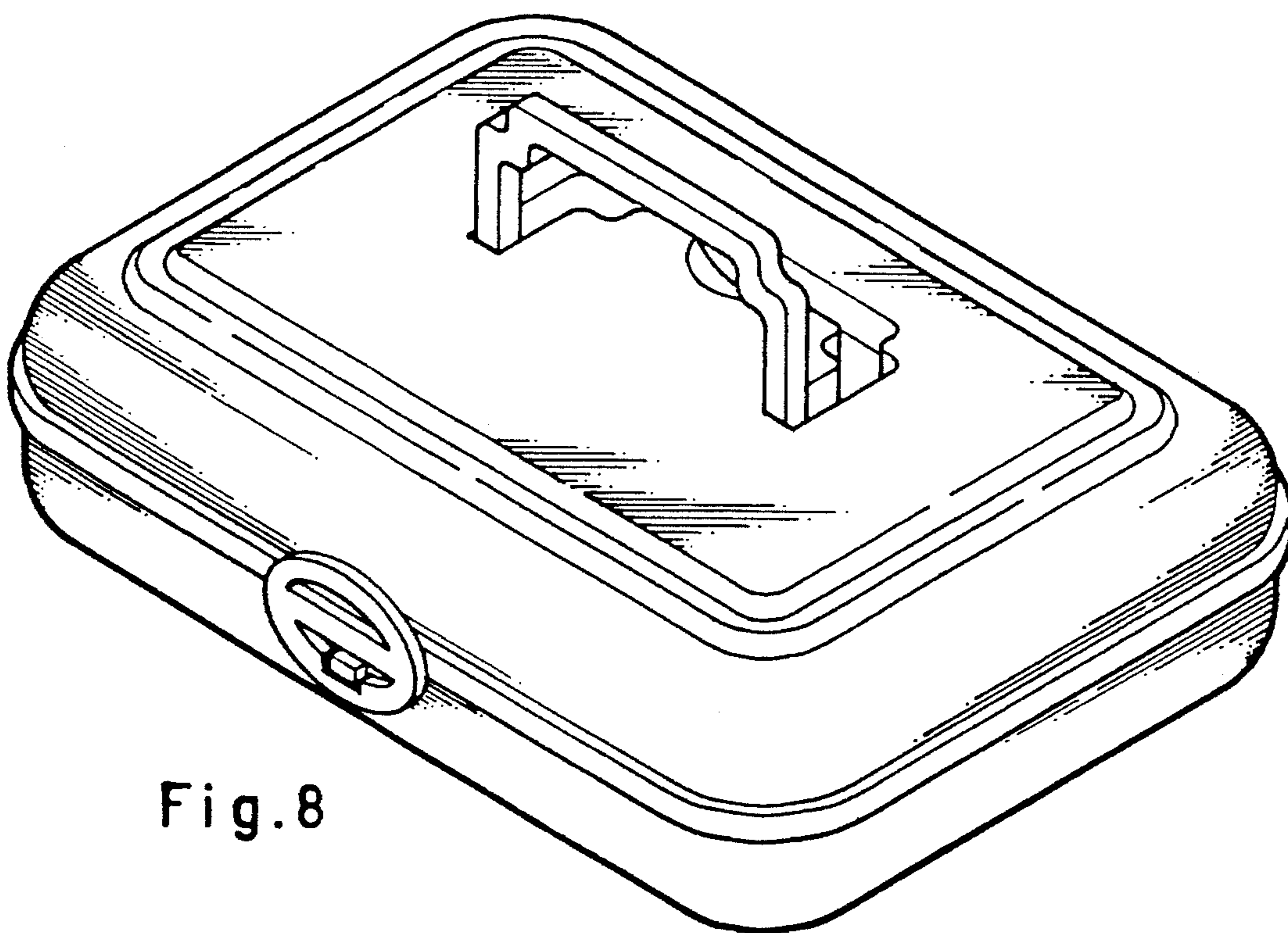


Fig. 8