



US00D367557S

# United States Patent [19]

Chang

[11] Patent Number: **Des. 367,557**

[45] Date of Patent: **\*\*Mar. 5, 1996**

[54] **TOOL BOX**

[76] Inventor: **Kenny Chang**, 5th Fl., No. 29, Lane 126, Minsheng Rd., Pingho Li, West Dist., Taichung, Taiwan

[\*\*] Term: **14 Years**

[21] Appl. No.: **34,249**

[22] Filed: **Jan. 31, 1995**

[52] U.S. Cl. .... **D3/276**; D3/281; D3/284; D3/905

[58] Field of Search ..... D3/274, 276, 281, D3/282, 283, 284, 905, 294; 312/244, 120, 328; 206/349, 372, 373, 234, 541, 386

[56] **References Cited**

**U.S. PATENT DOCUMENTS**

D. 314,082	1/1991	Kime .....	D3/282
D. 314,667	2/1991	Hussain .....	D3/274
D. 328,189	7/1992	Hillinger .....	D3/282
D. 340,803	11/1993	Bradford et al. ....	D3/283
D. 348,903	7/1994	Fischtein et al. ....	D3/282

D. 356,890	4/1995	Ryaa .....	D3/276
5,203,469	4/1993	Chang et al. ....	206/372
5,271,501	12/1993	Chen .....	206/373
5,295,742	3/1994	Knutson .....	312/244
5,429,235	7/1995	Chen .....	206/373

*Primary Examiner*—Philip S. Hyder  
*Attorney, Agent, or Firm*—Morton J. Rosenberg; David I. Klein

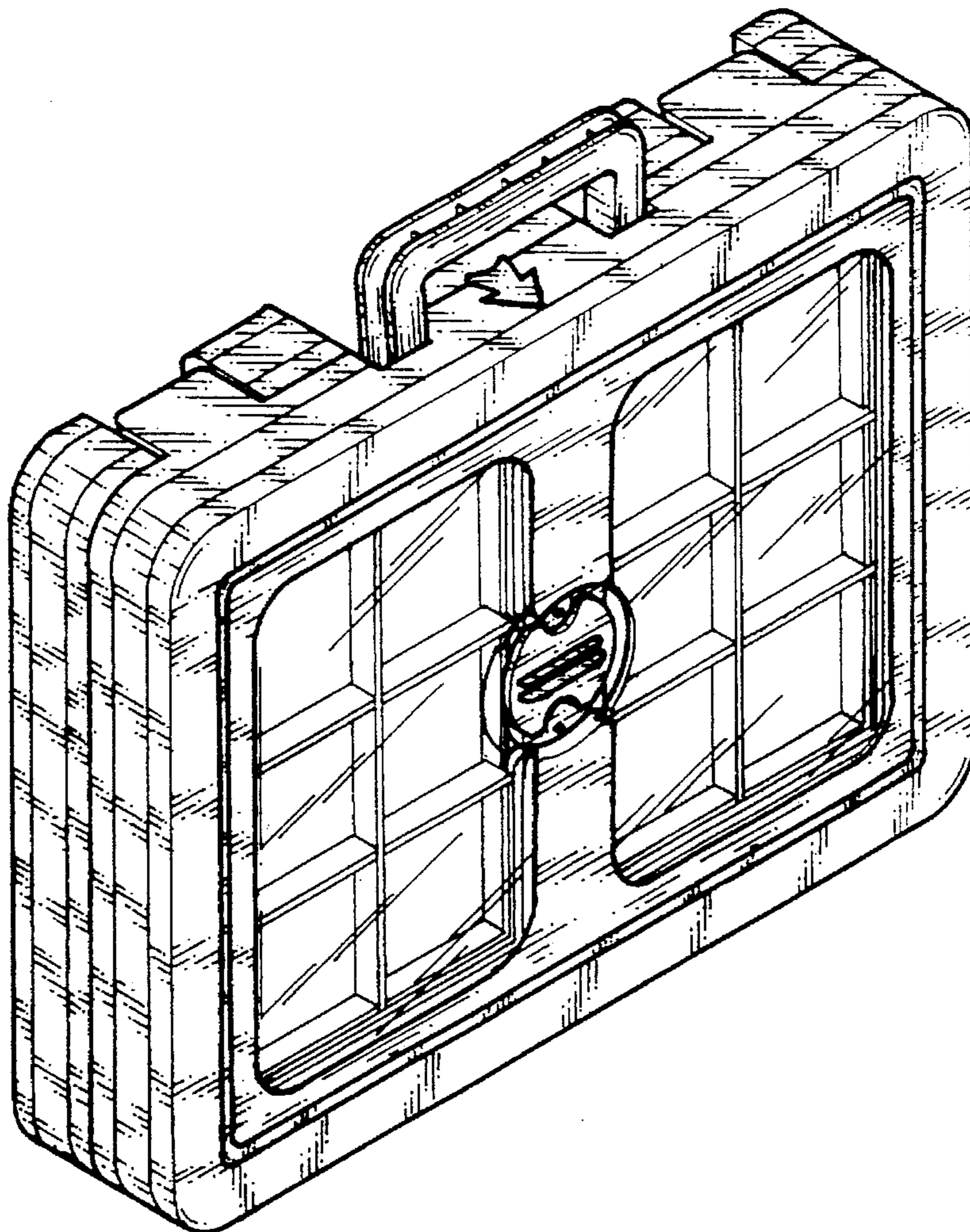
[57] **CLAIM**

The ornamental design for a tool box, as shown and described.

**DESCRIPTION**

FIG. 1 is a front-left-top perspective view of a tool box, showing my new design;  
FIG. 2 is a front elevational view thereof;  
FIG. 3 is a rear elevational view thereof;  
FIG. 4 is a left elevational view thereof;  
FIG. 5 is a right elevational view thereof;  
FIG. 6 is a top plan view thereof; and,  
FIG. 7 is a bottom plan view thereof.

**1 Claim, 7 Drawing Sheets**



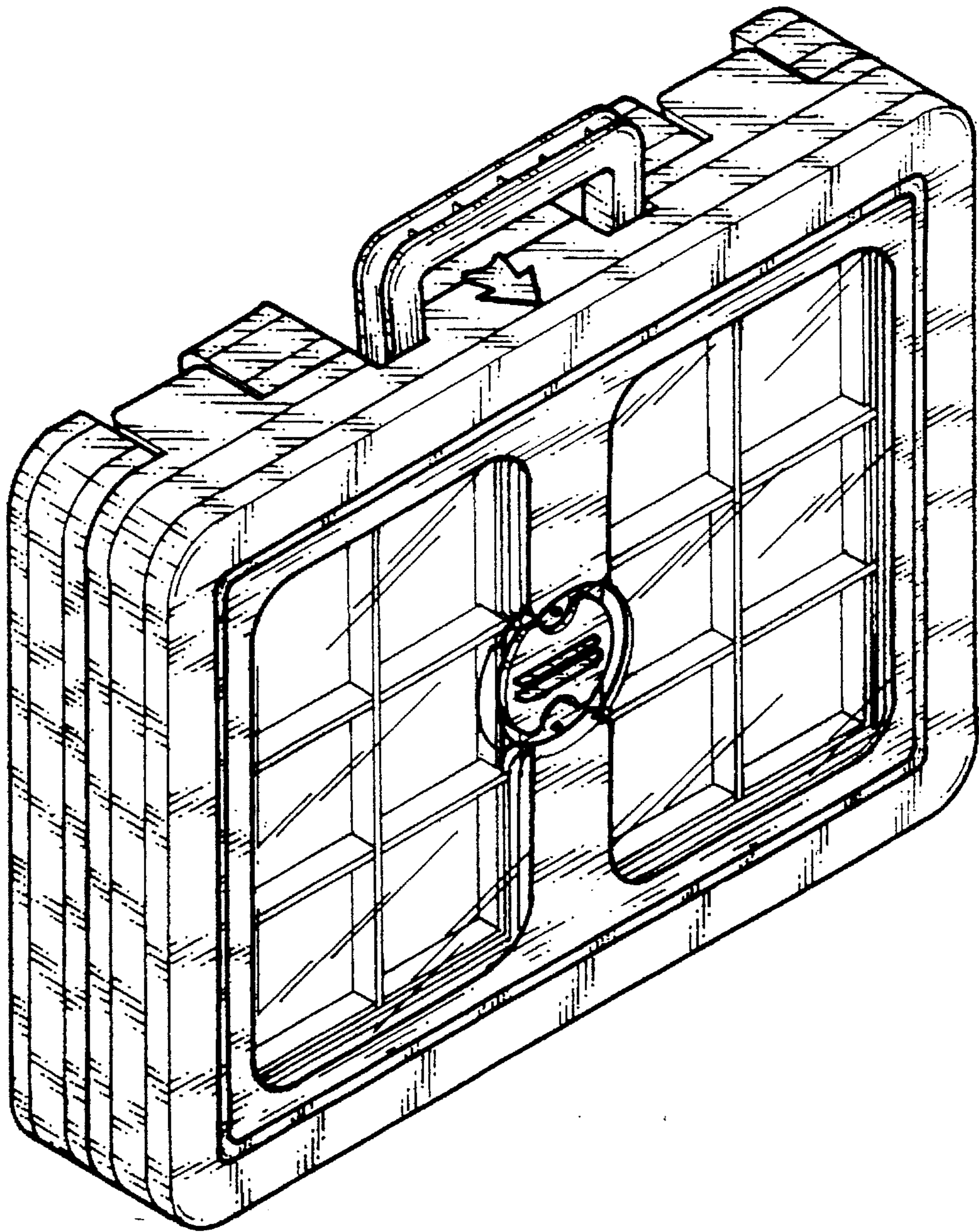


FIG. 1

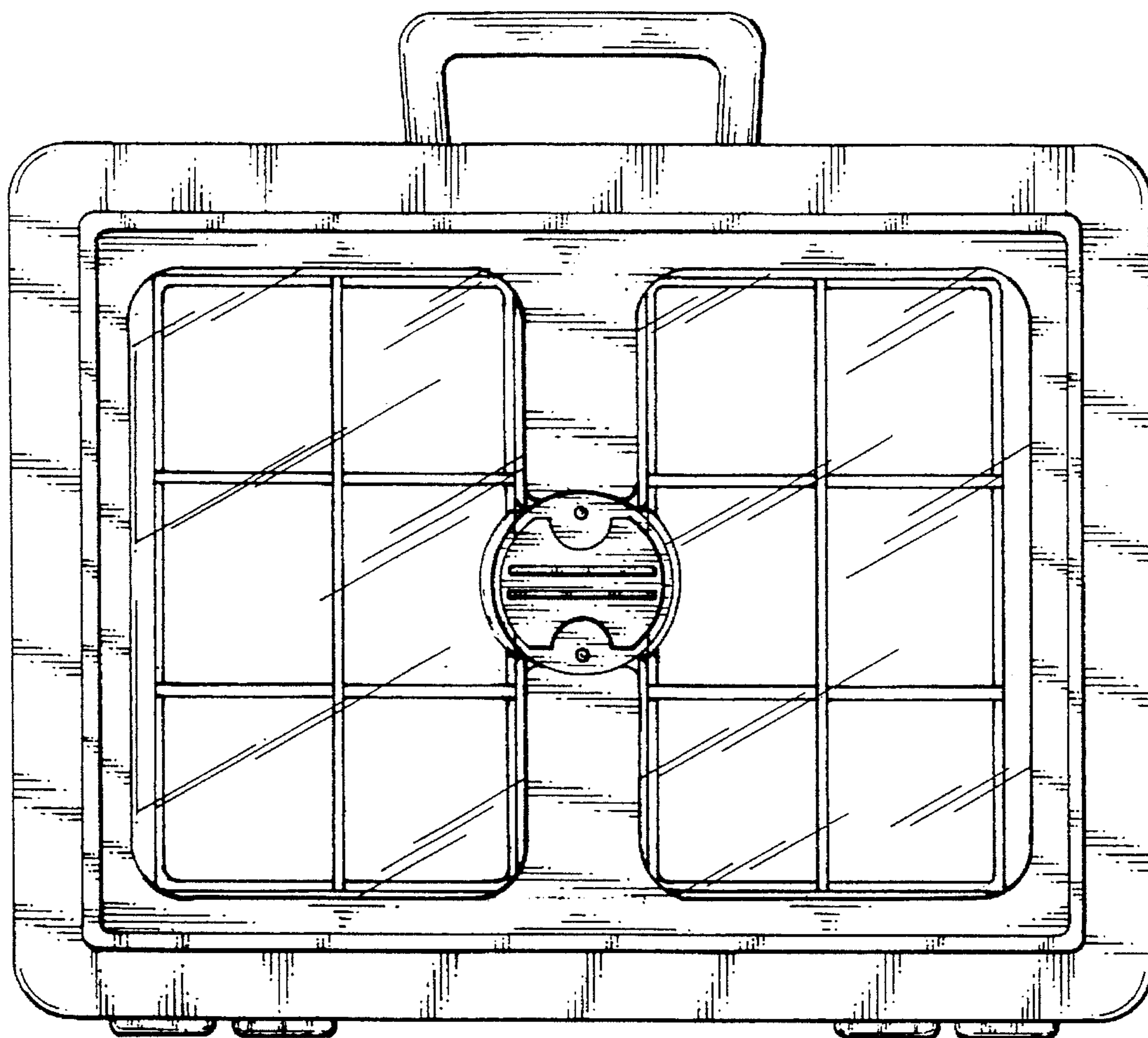


FIG. 2

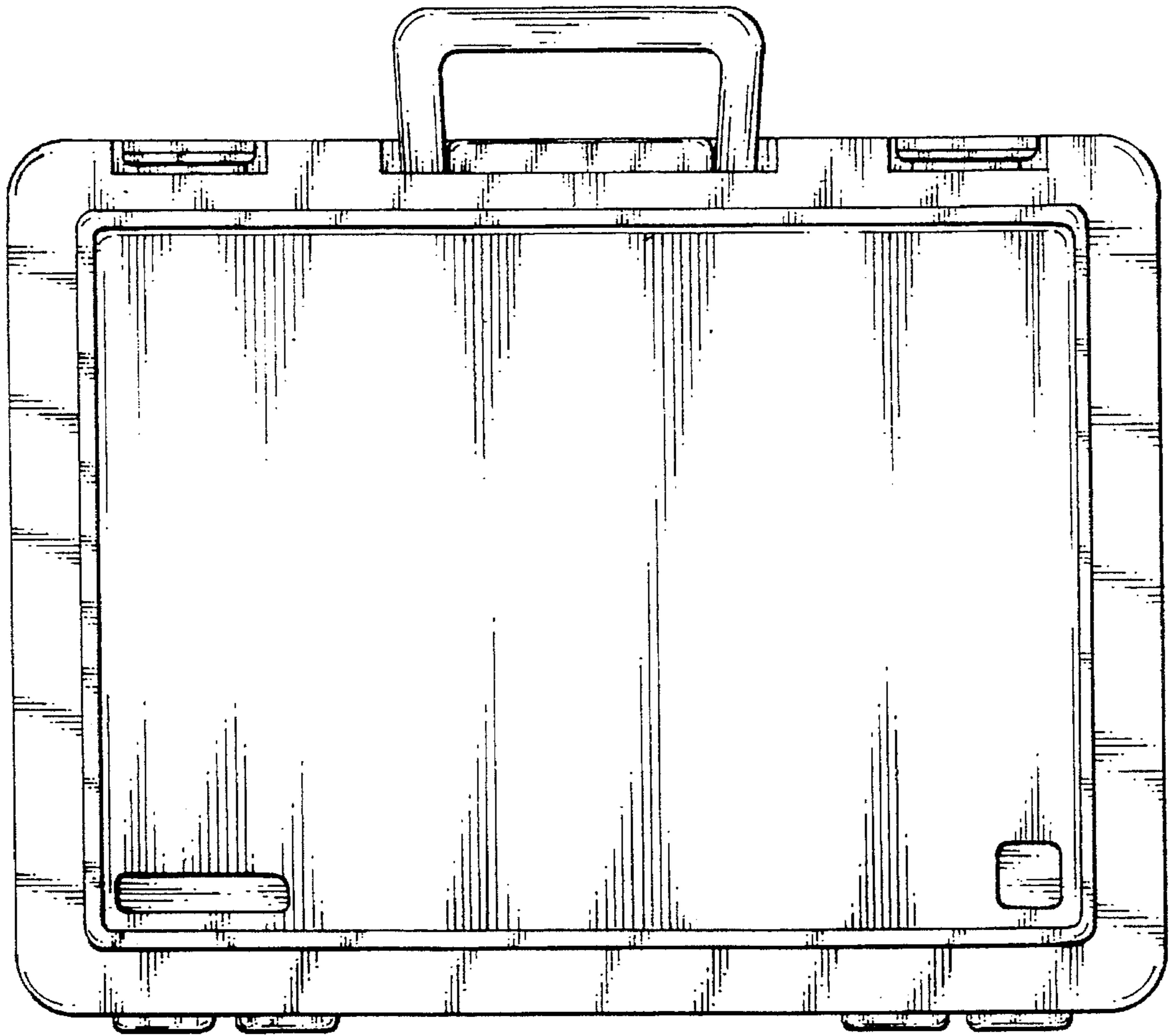


FIG. 3

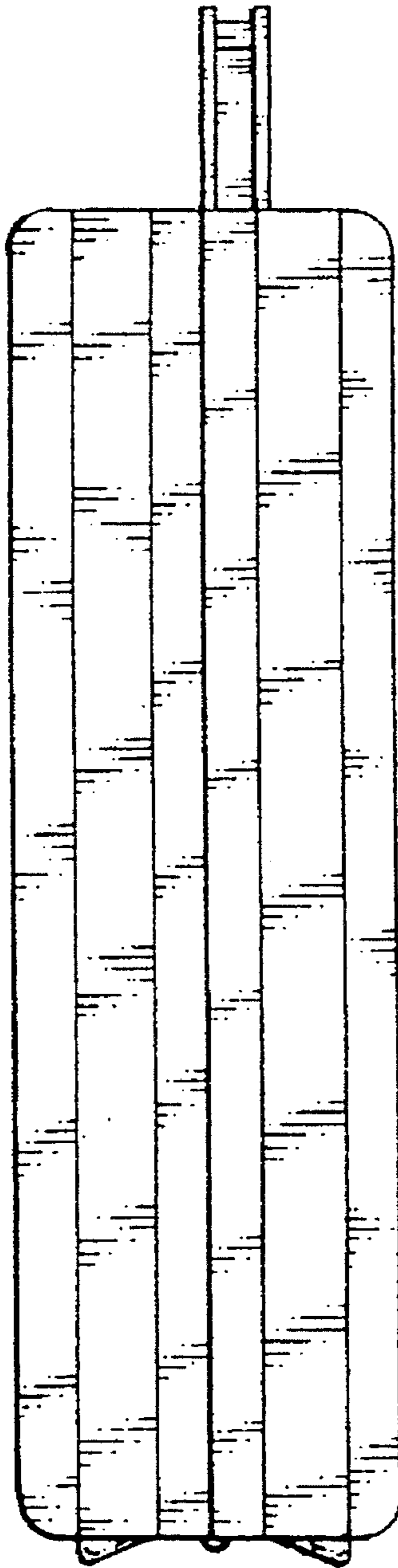


FIG. 4

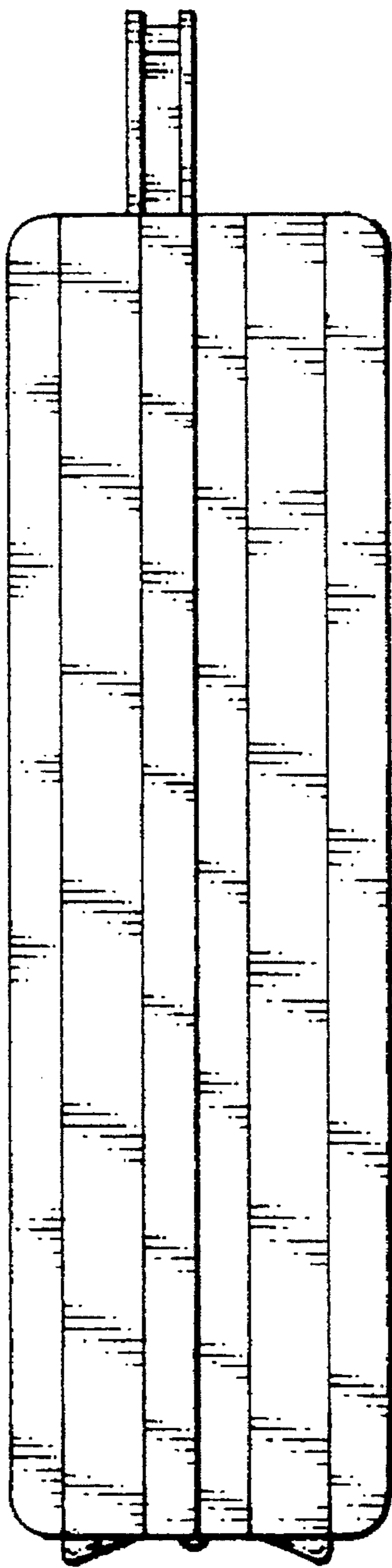


FIG. 5

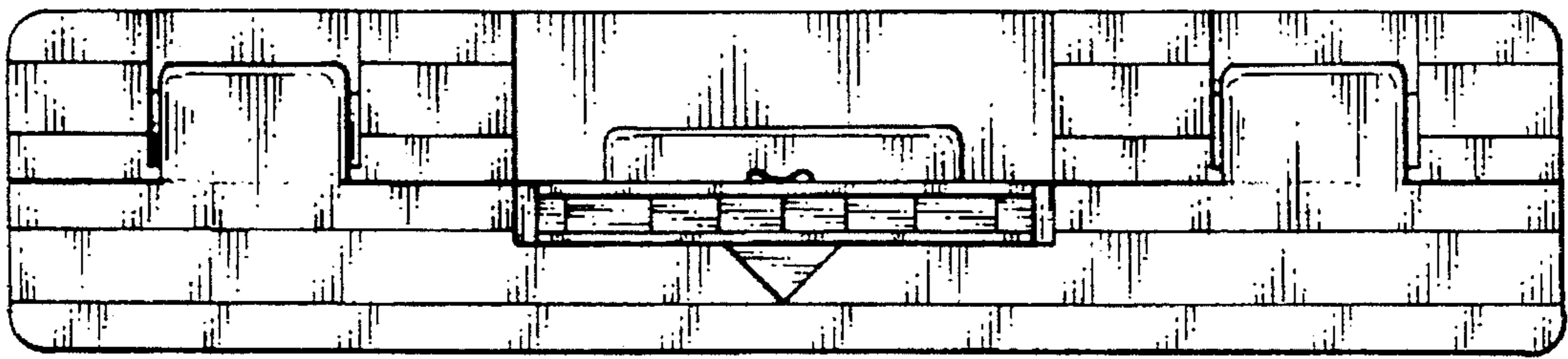


FIG. 6

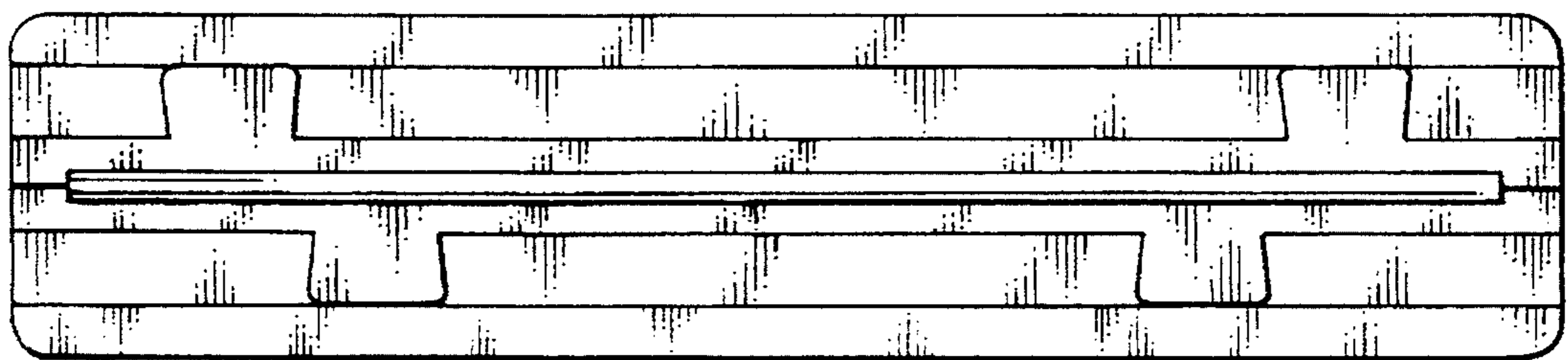


FIG. 7