



US00D367543S

# United States Patent [19] Oberheim

[11] Patent Number: **Des. 367,543**

[45] Date of Patent: **\*\*Feb. 27, 1996**

[54] **COMBINATION HAIR DRYER AND HAIR FORMING ATTACHMENT**

[75] Inventor: **Robert Oberheim**, Liederbach, Germany

[73] Assignee: **Braun Aktiengesellschaft**, Frankfurt, Germany

[\*\*] Term: **14 Years**

[21] Appl. No.: **35,230**

[22] Filed: **Feb. 16, 1995**

[30] **Foreign Application Priority Data**

Oct. 10, 1994 [WO] WIPO ..... DM/030932  
[52] U.S. Cl. .... **D28/15**  
[58] Field of Search ..... D28/13-18; 34/96-101;  
392/379, 380, 383, 384, 385

[56] **References Cited**

**U.S. PATENT DOCUMENTS**

D. 259,742 6/1981 Iammatteo ..... D28/18  
D. 265,136 6/1982 Madl ..... D28/13  
D. 323,039 1/1992 Lerner ..... D28/13  
D. 349,585 8/1994 Rizzuto, Jr. .... D28/18  
D. 355,048 1/1995 Soresina ..... D28/13  
4,295,283 10/1981 Tomaro ..... 34/97  
4,918,289 4/1990 Ohlsen et al. .... D28/13 X  
5,060,398 10/1991 Wolens ..... 34/97 X  
5,275,339 1/1994 Andis et al. .... D28/18 X  
5,392,528 2/1995 McDougall ..... 392/383 X

**FOREIGN PATENT DOCUMENTS**

56188 7/1982 European Pat. Off. .... 392/384  
473822 3/1992 European Pat. Off. .... 392/379  
2226954 7/1990 United Kingdom .  
2230184 4/1992 United Kingdom .

DM/021077 11/1992 WIPO .  
DM/021436 12/1992 WIPO .  
DM/026556 4/1993 WIPO .  
DM/027996 1/1994 WIPO .  
DM/029244 5/1994 WIPO .  
DM/030274 9/1994 WIPO .

**OTHER PUBLICATIONS**

*Hong Kong Enterprise* Oct. 1990, p. 374: Grand Champion hair dryer attachment at top of page.  
*Hong Kong Enterprise* Oct. 1991, p. 844: 1) item #HD-179.6 at top of page; 2) item HD-188, upper row on left; 3) item #HD-180.5, at center of center row.  
*Hong Kong Enterprise* Jun. 1993, p. 536: 1) item #CH-1600; 2) item #CH#338B.

*Primary Examiner*—Ted Shooman  
*Assistant Examiner*—C. Tuttle  
*Attorney, Agent, or Firm*—Edward S. Podszus

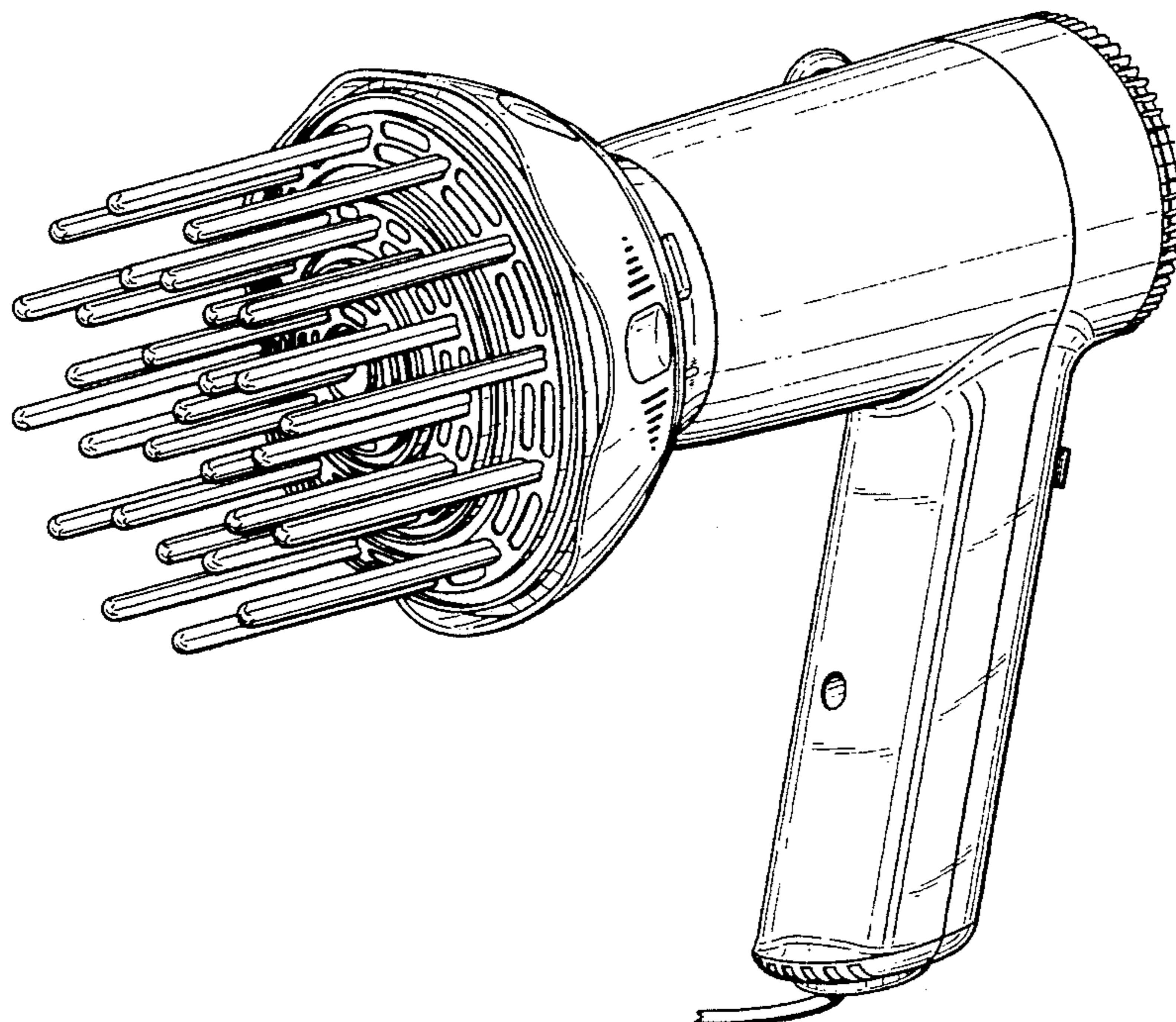
[57] **CLAIM**

The ornamental design for a combination hair dryer and hair forming attachment, as shown and described.

**DESCRIPTION**

FIG. 1 is a front and right side perspective view of the combination hair dryer and forming attachment, showing my design;  
FIG. 2 is a front view thereof;  
FIG. 3 is a right-side view thereof;  
FIG. 4 is a left-side view thereof;  
FIG. 5 is a rear view thereof;  
FIG. 6 is a top plan view thereof; and,  
FIG. 7 is a bottom plan view thereof.  
The cord element is shown partially broken away in the various views to indicate indeterminate length.

**1 Claim, 7 Drawing Sheets**



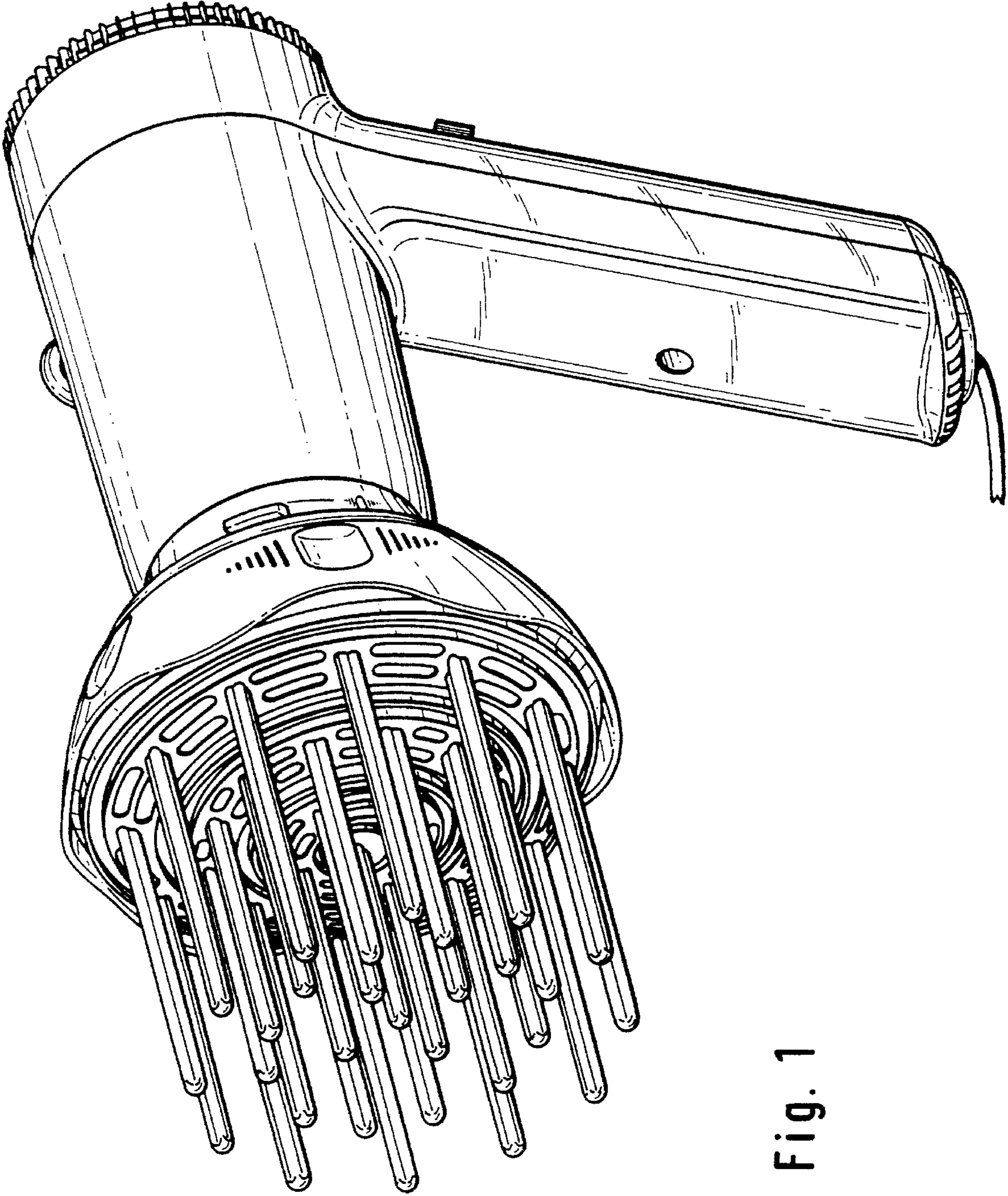
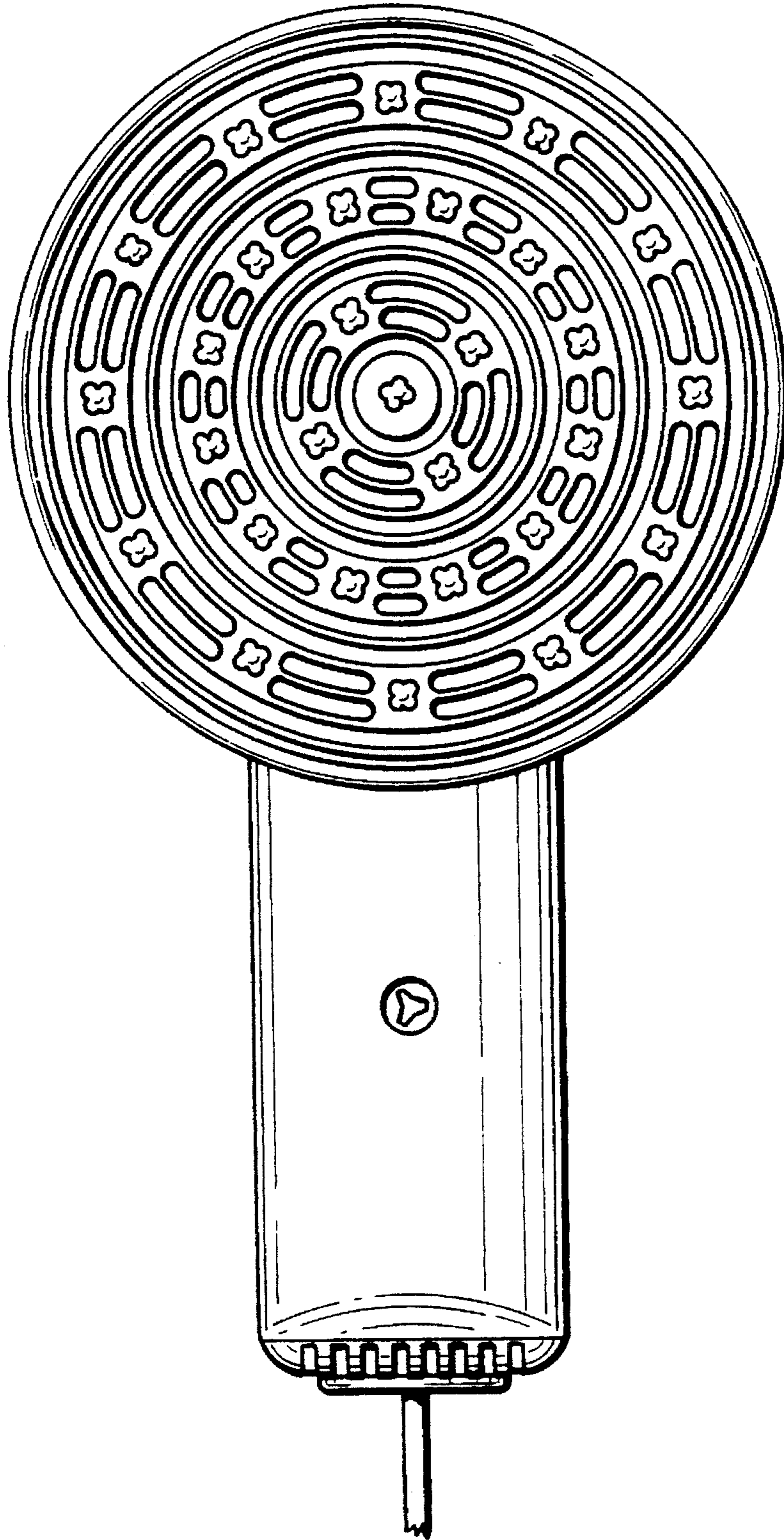


Fig. 1



Fig. 2



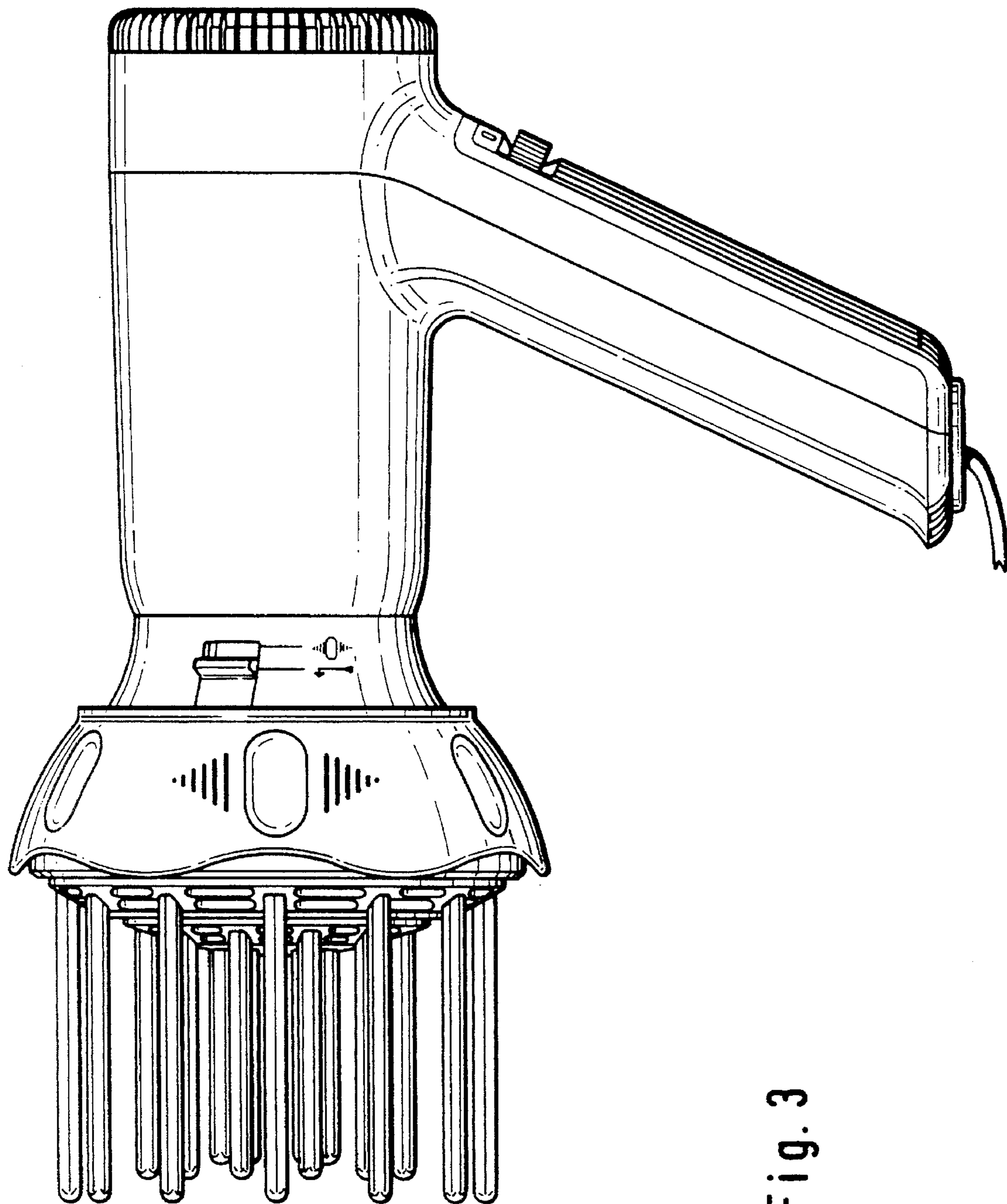


Fig. 3

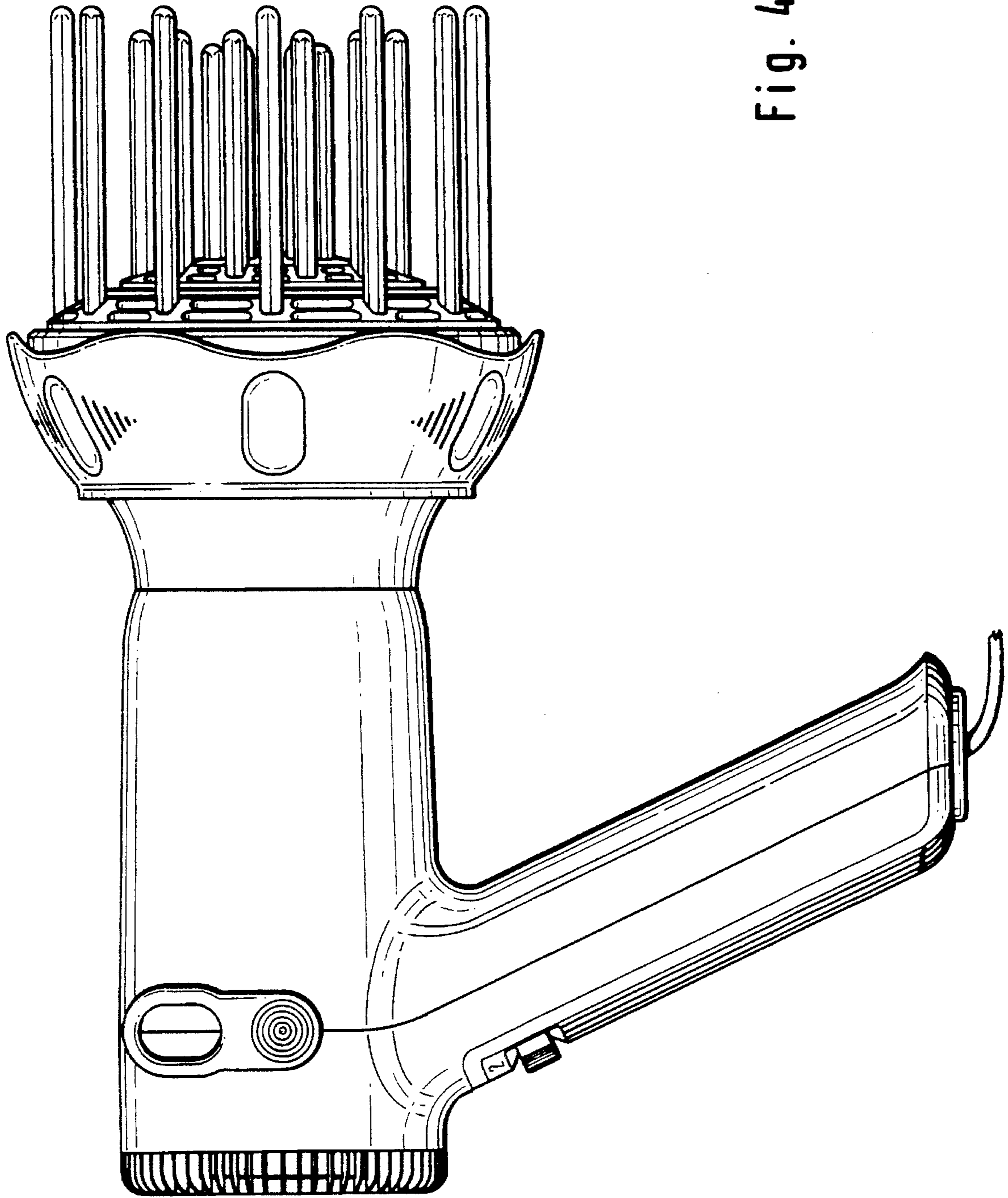
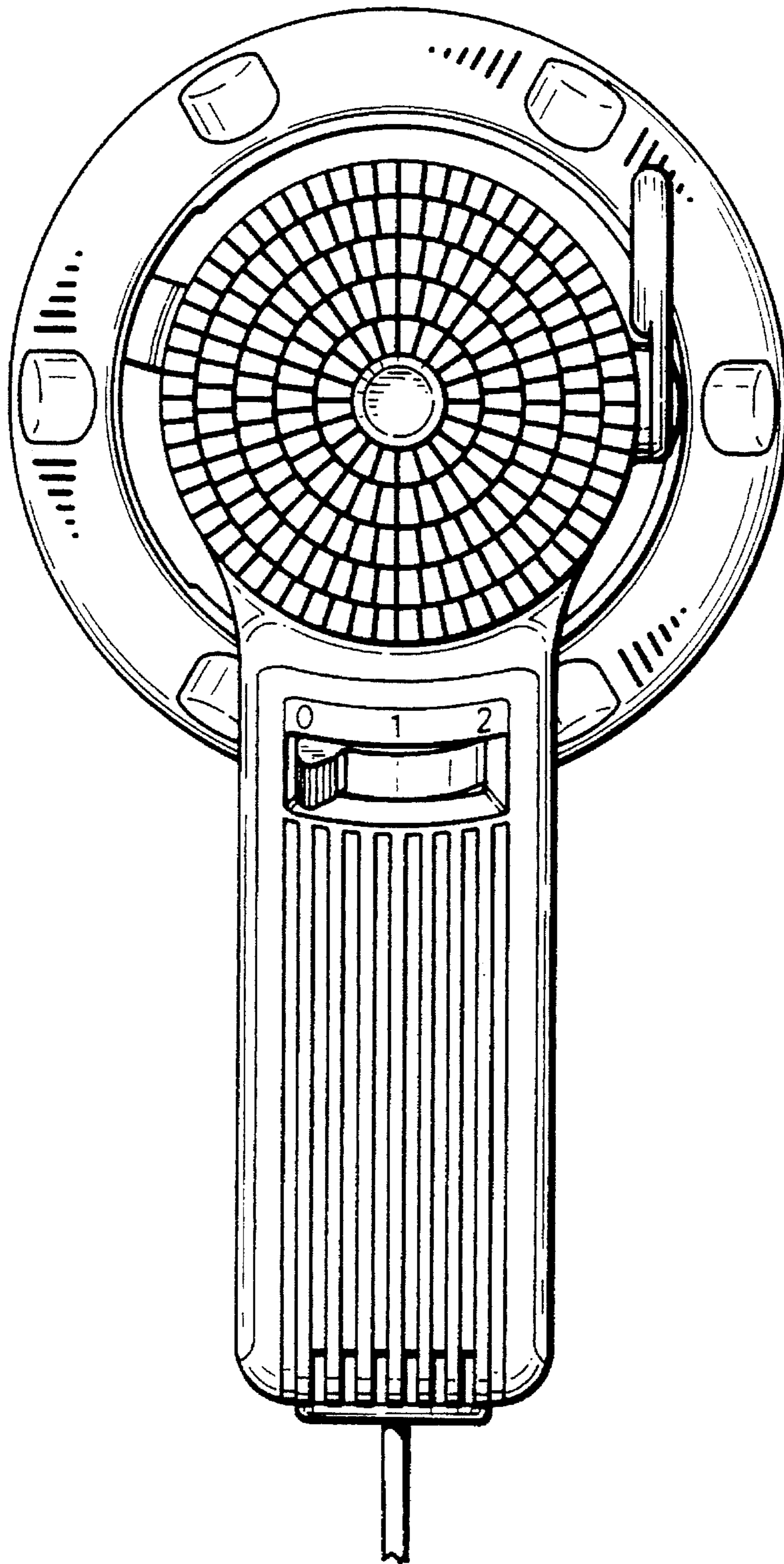


Fig. 4



Fig. 5



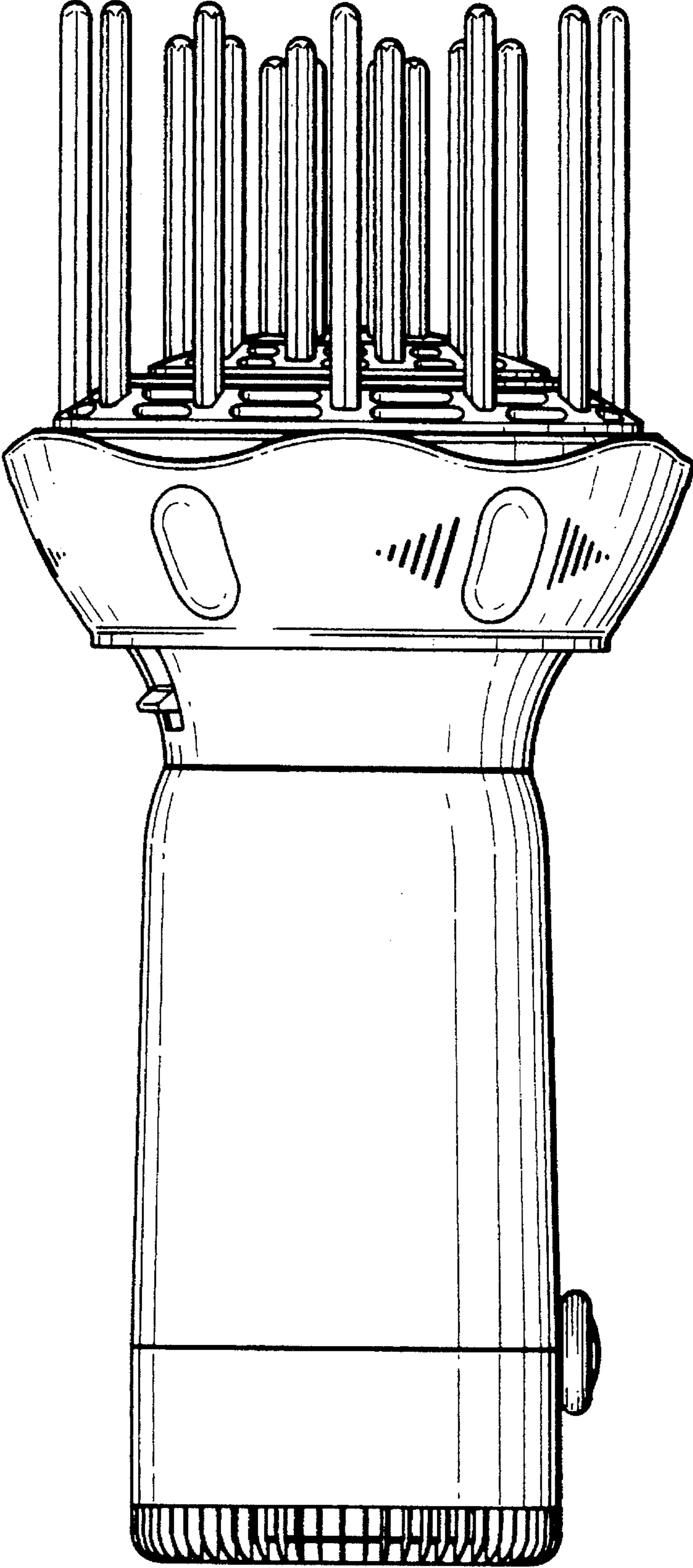


Fig. 6

Fig. 7

