



US00D367542S

# United States Patent [19]

Kovacik et al.

[11] Patent Number: **Des. 367,542**

[45] Date of Patent: **\*\*Feb. 27, 1996**

[54] **TROUBLE LIGHT HANDLE**

[75] Inventors: **James D. Kovacik**, Brecksville; **Paul S. Blanch**, Broadview Heights, both of Ohio

[73] Assignee: **Alert Lite Safety Products Co., Inc.**, Bedford Heights, Ill.

[\*\*] Term: **14 Years**

[21] Appl. No.: **32,062**

[22] Filed: **Dec. 13, 1994**

[52] U.S. Cl. .... **D26/113**

[58] Field of Search ..... **D26/113, 119; 362/399, 376, 377, 378, 258**

4,141,062 2/1979 Trueblood .  
 4,275,435 6/1981 Dorn .  
 4,369,487 1/1983 Carlow ..... 362/376  
 4,774,647 9/1988 Kovacik et al. .  
 4,864,477 9/1989 Engelman ..... 362/376

### OTHER PUBLICATIONS

Alert Safety Light Products Co., Inc. Catalog see pages entitled *Retractable Cord Reels* and *Trouble Lights*, Mar. 1992, U.S.A.

DIY Retailing, Aug. 1985 p. 313, Item: Snapit, 3 Min Magneflex Worklight Group 2900, Flashlight & Lanterns Boxes.

*Primary Examiner*—A. Hugo Word  
*Assistant Examiner*—Cynthia E. Ramirez  
*Attorney, Agent, or Firm*—Howard & Howard

### [56] References Cited

#### U.S. PATENT DOCUMENTS

D. 250,674	12/1978	Trueblood .....	D26/119
1,435,133	11/1922	Amos et al. .	
1,735,295	11/1929	Olley .	
2,133,159	10/1938	Weston .	
2,236,940	4/1941	Foley .	
2,626,347	1/1953	Baenziger .	
2,635,781	4/1953	Hume .	
2,653,219	9/1953	Popp .	
2,677,754	5/1954	Heinz .	
2,735,930	2/1956	Weight .	
2,855,501	10/1958	Wasselle .	
3,183,348	5/1965	Porter .	
3,536,907	10/1970	Kramer .	
3,755,668	8/1973	Moreschini .	
4,019,047	4/1977	Frey .	

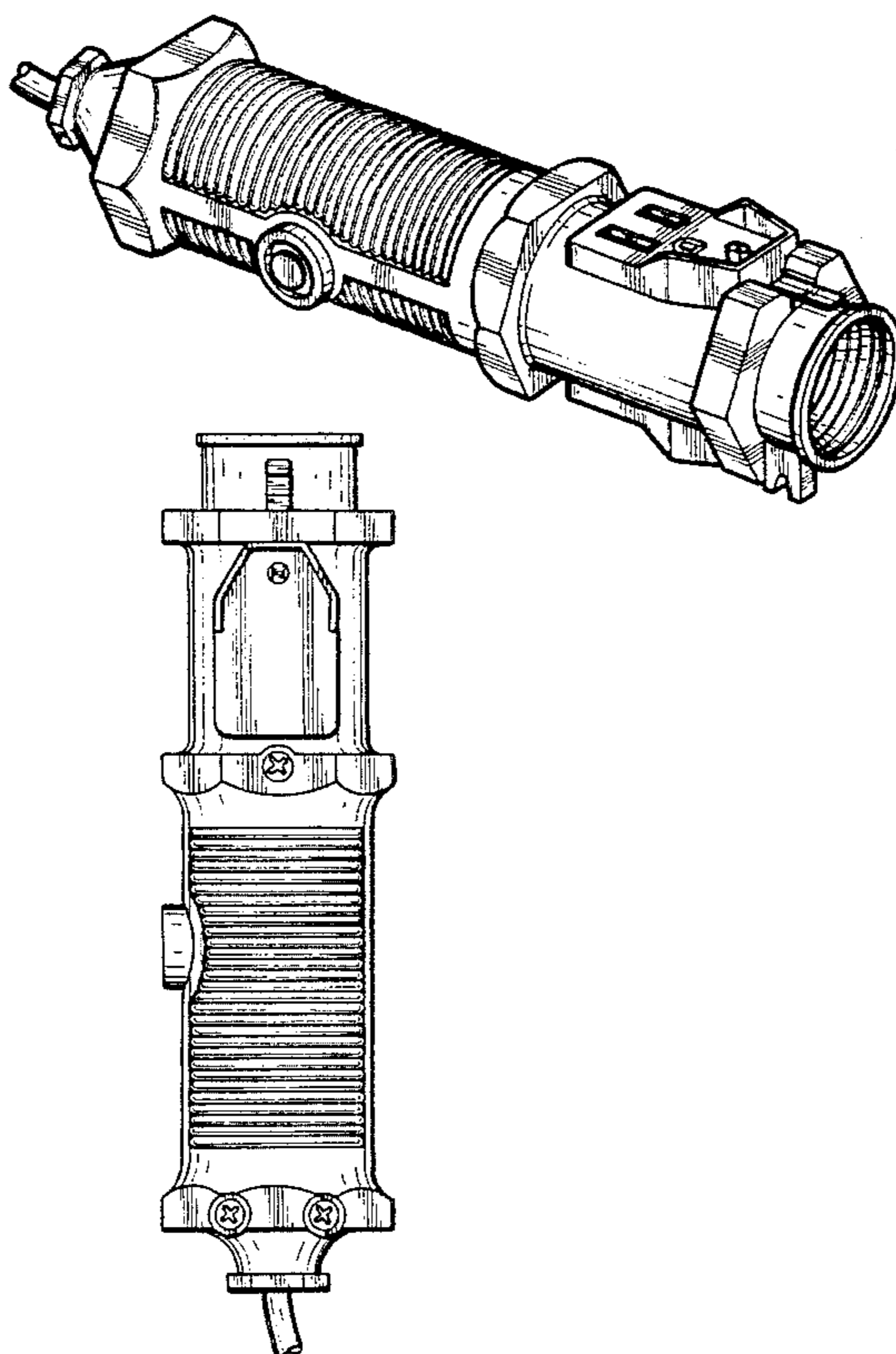
### [57] CLAIM

The ornamental design for a trouble light handle, as shown.

### DESCRIPTION

FIG. 1 is a perspective view of the trouble light handle of the present invention;  
 FIG. 2 is a front elevational view thereof;  
 FIG. 3 is a rear elevational view thereof;  
 FIG. 4 is a top plan view thereof;  
 FIG. 5 is a bottom plan view thereof;  
 FIG. 6 is a right side elevational view thereof; and,  
 FIG. 7 is a left side elevational view thereof.  
 The cord is not shown in FIG. 5 for convenience of illustration.

1 Claim, 3 Drawing Sheets



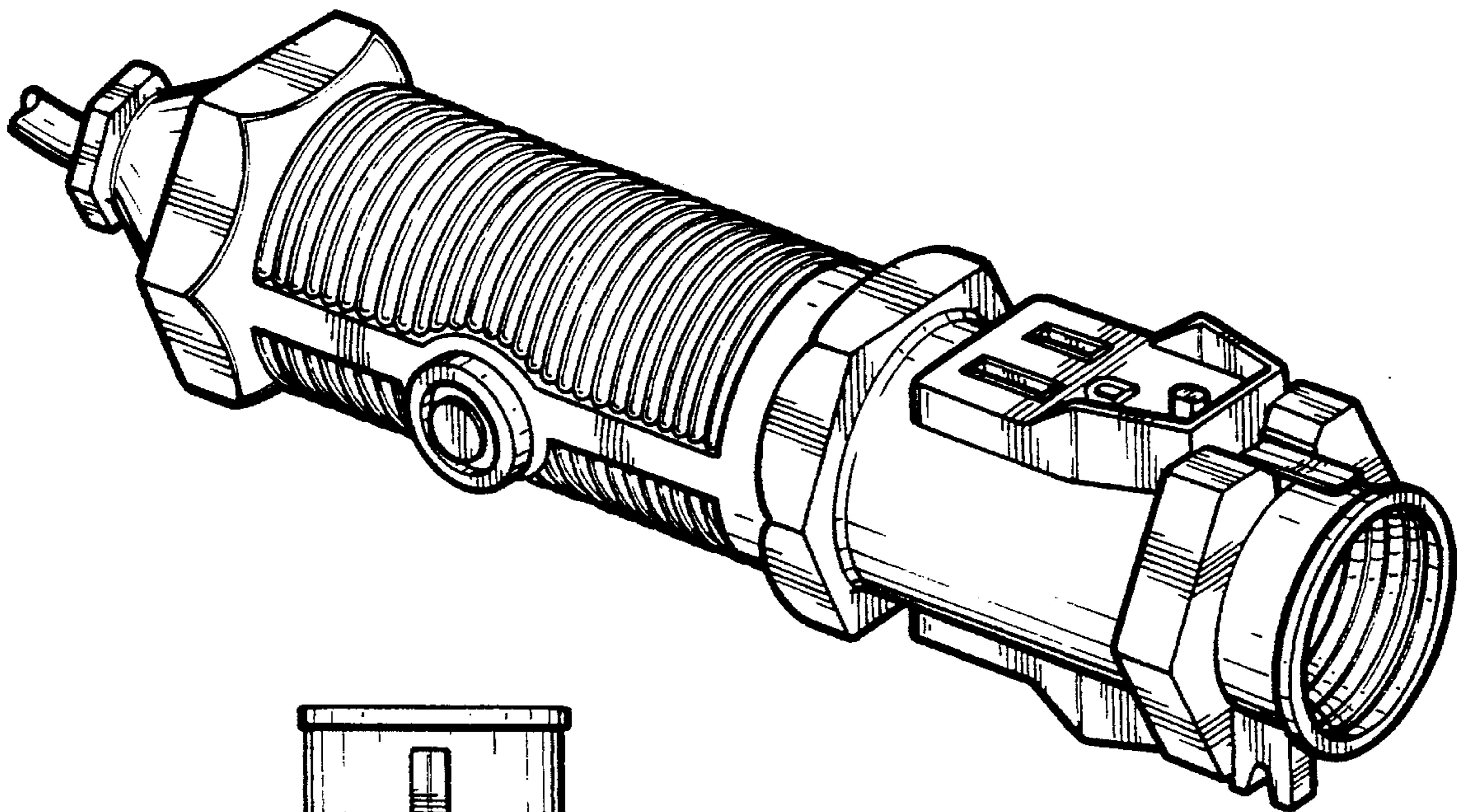


Fig-1

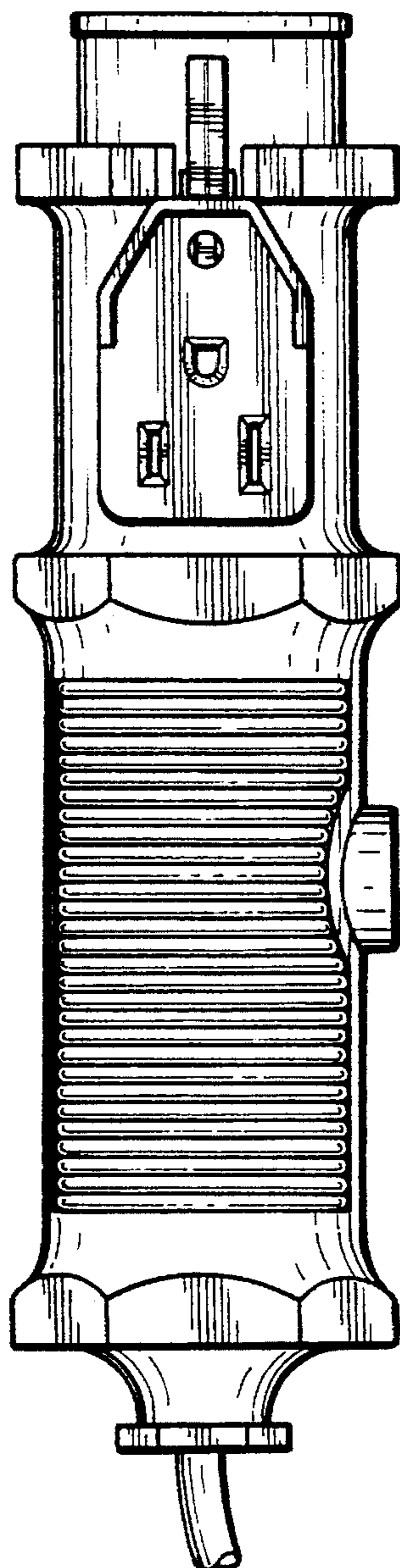


Fig-2

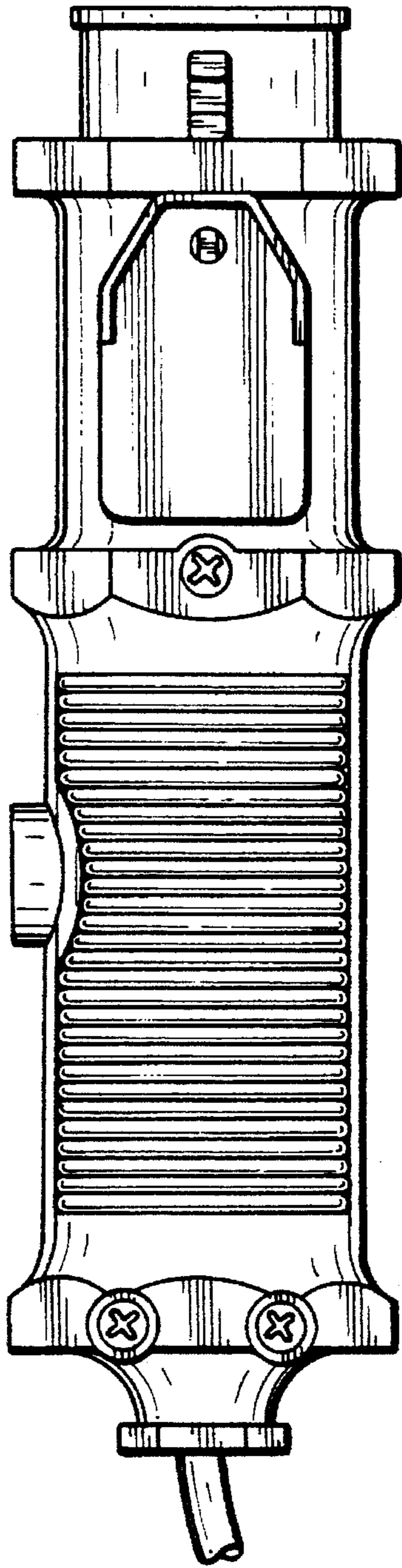


Fig-3

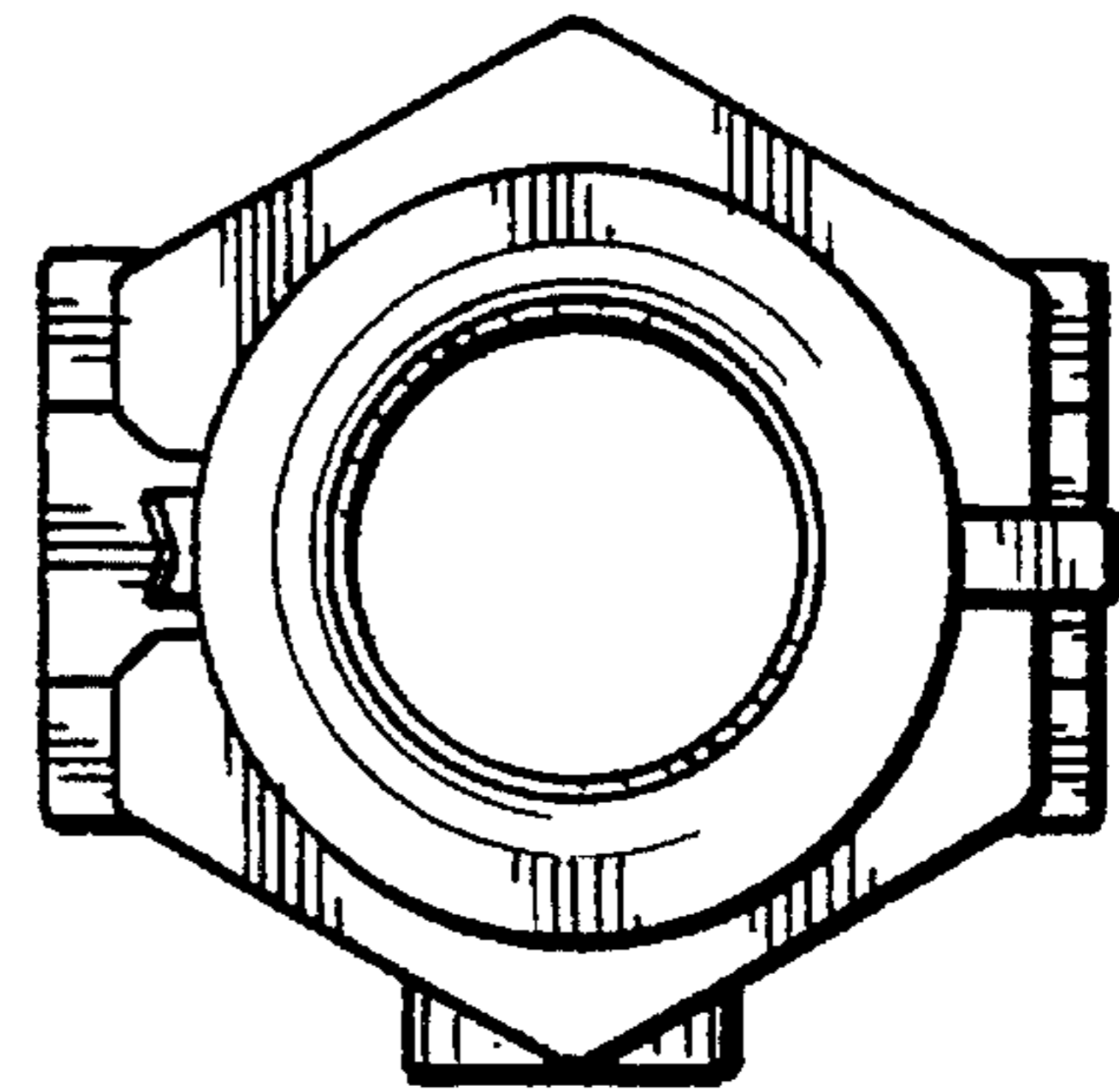


Fig-4

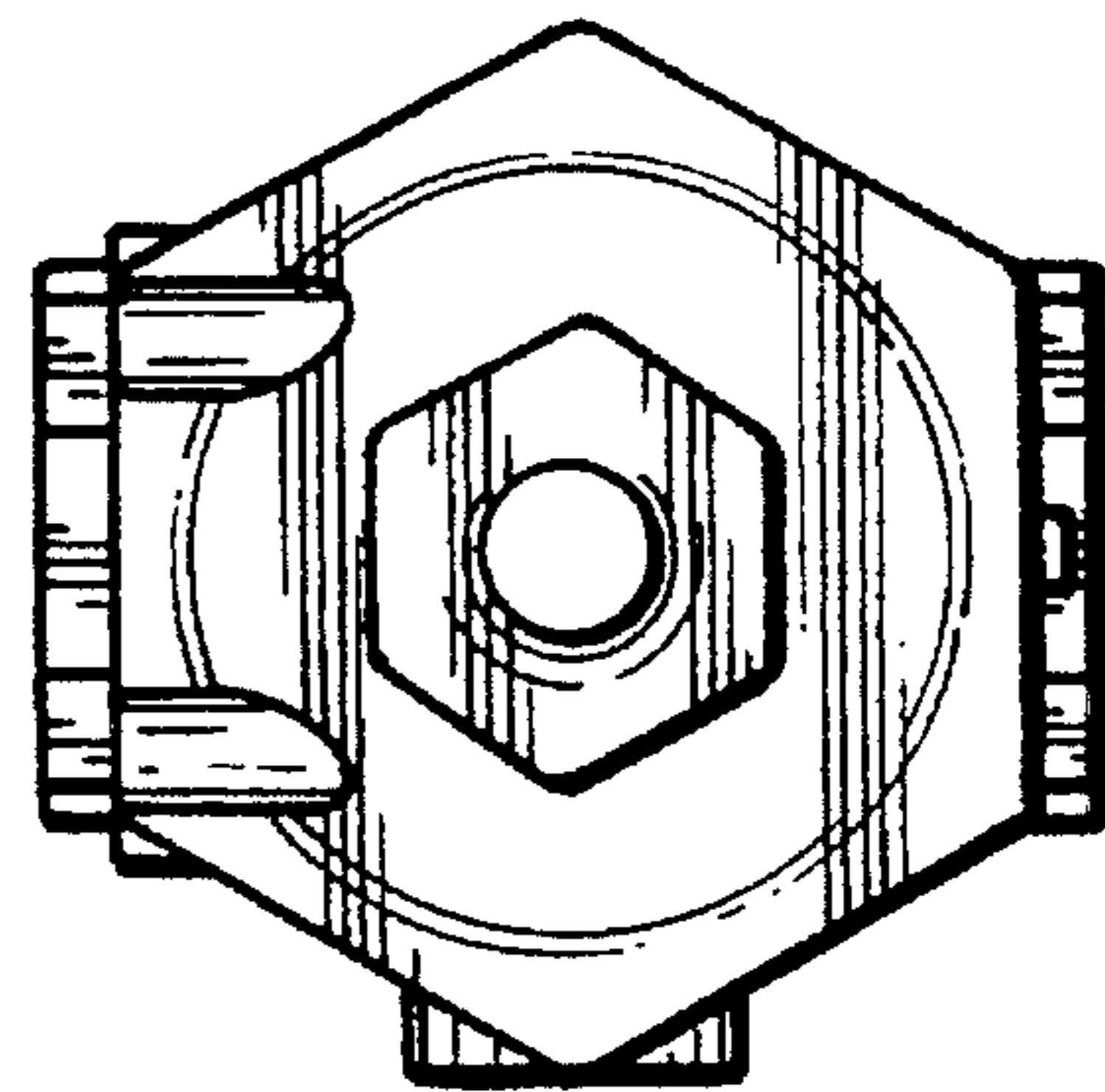


Fig-5

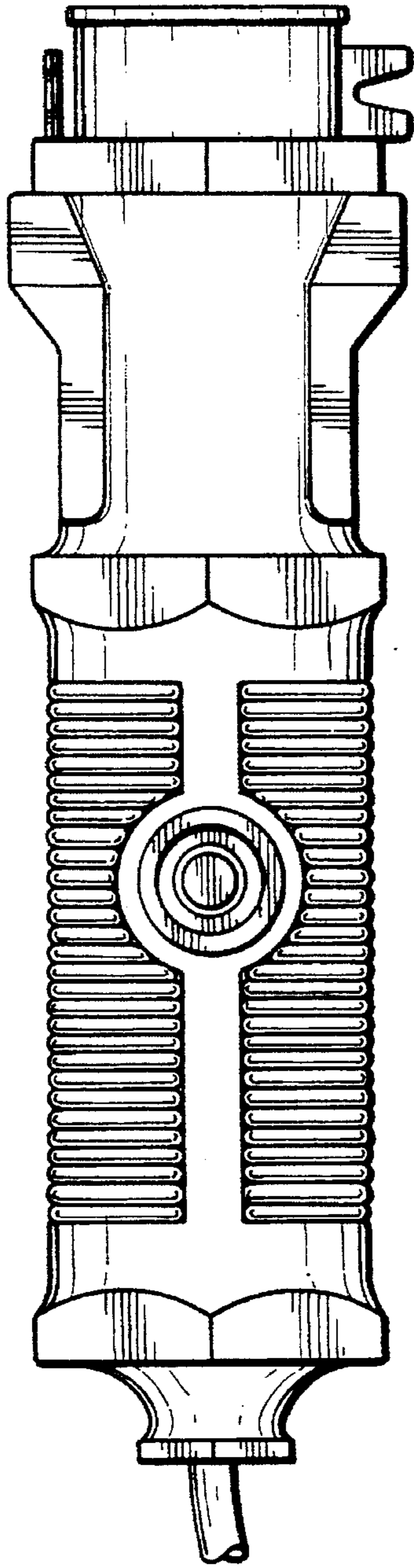


Fig-6

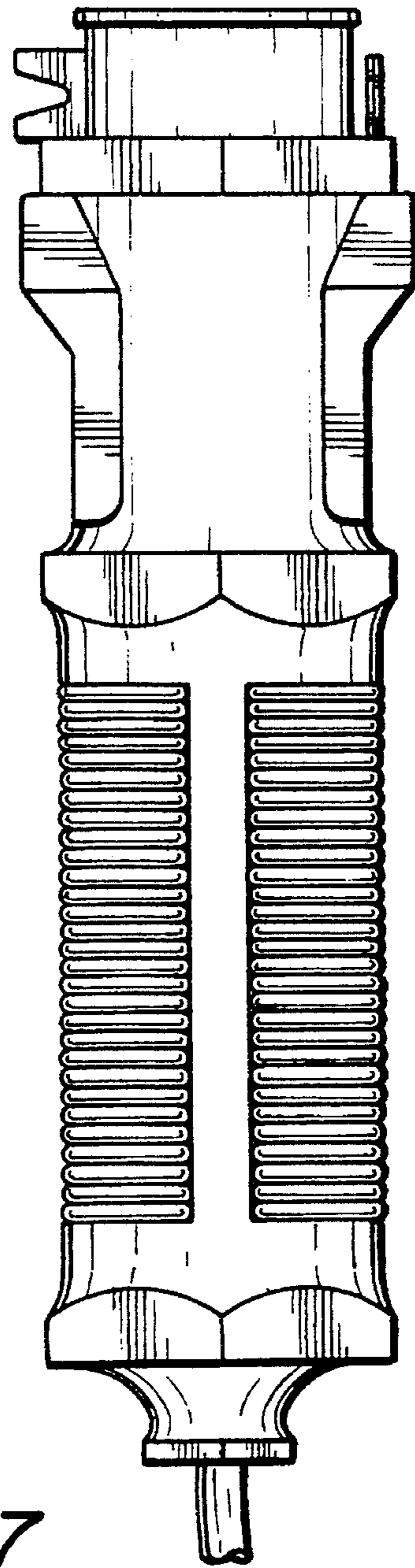


Fig-7