



US00D367540S

United States Patent [19]

[11] Patent Number: **Des. 367,540**

Lee

[45] Date of Patent: ****Feb. 27, 1996**

[54] **UTILITY LIGHT FOR USE WITH CLAMP**

[75] Inventor: **Simeon T. Lee**, Burlington, N.C.

[73] Assignee: **Regent Lighting Corporation**,
Burlington, N.C.

[**] Term: **14 Years**

[21] Appl. No.: **31,990**

[22] Filed: **Dec. 12, 1994**

Related U.S. Application Data

[62] Division of Ser. No. 20,623, Mar. 29, 1994, Pat. No. Des. 360,952.

[52] U.S. Cl. **D26/63**

[58] Field of Search D26/60-66; 362/269,
362/274, 275, 285, 418, 419, 427, 376,
396

References Cited

U.S. PATENT DOCUMENTS

D. 120,741	5/1940	Naylor	D26/65
D. 320,466	10/1991	Muzquiz	26/60
D. 348,743	7/1994	Leen	26/60
D. 349,972	8/1994	Stekelenburg	26/60
1,302,981	5/1919	Sheley .	
1,882,185	10/1932	Graham .	
2,510,542	3/1939	Cook	248/214
3,001,061	9/1961	Moore .	
3,535,508	10/1970	Warshauser	240/52
3,793,516	2/1974	Cassey	240/26
3,883,926	5/1975	Reynolds	24/73
4,288,848	9/1981	Fido	362/378

4,321,660	3/1982	Sokol	362/368
4,323,953	4/1982	Hutchison	362/226
4,528,622	7/1985	Bacevius	362/396
5,163,751	11/1992	Bottiglieri	362/376
5,180,220	1/1993	Kalsbeek	362/98
5,205,645	4/1993	Lee	362/431
5,209,562	5/1993	Glassford	362/378
5,213,412	5/1993	Ciallella	362/398
5,243,507	9/1993	Atkins	362/376

OTHER PUBLICATIONS

Regent Lighting, Illuminator Quartz Light pp. 22-23, admitted prior art.

The Designer's Edge; L-850 Halogen Clamp Light; 1993. *Yardglow*, Halogen Clamp Light; date unknown, found in Jun., 1994; not believed to be prior art.

Regent Lighting spec. sheet showing Model SL500 and Model TSL1000; admitted prior art (prior to Dec.-1994).

Primary Examiner—Susan J. Lucas

[57] CLAIM

The ornamental design for a utility light for use with a clamp, as shown and described.

DESCRIPTION

FIG. 1 is a front perspective view of a utility light for use with a clamp;

FIG. 2 is a side view thereof;

FIG. 3 is a front view thereof;

FIG. 4 is a rear view thereof.

The broken lines are shown for illustrative purposes only and form no part of the claimed design.

1 Claim, 2 Drawing Sheets

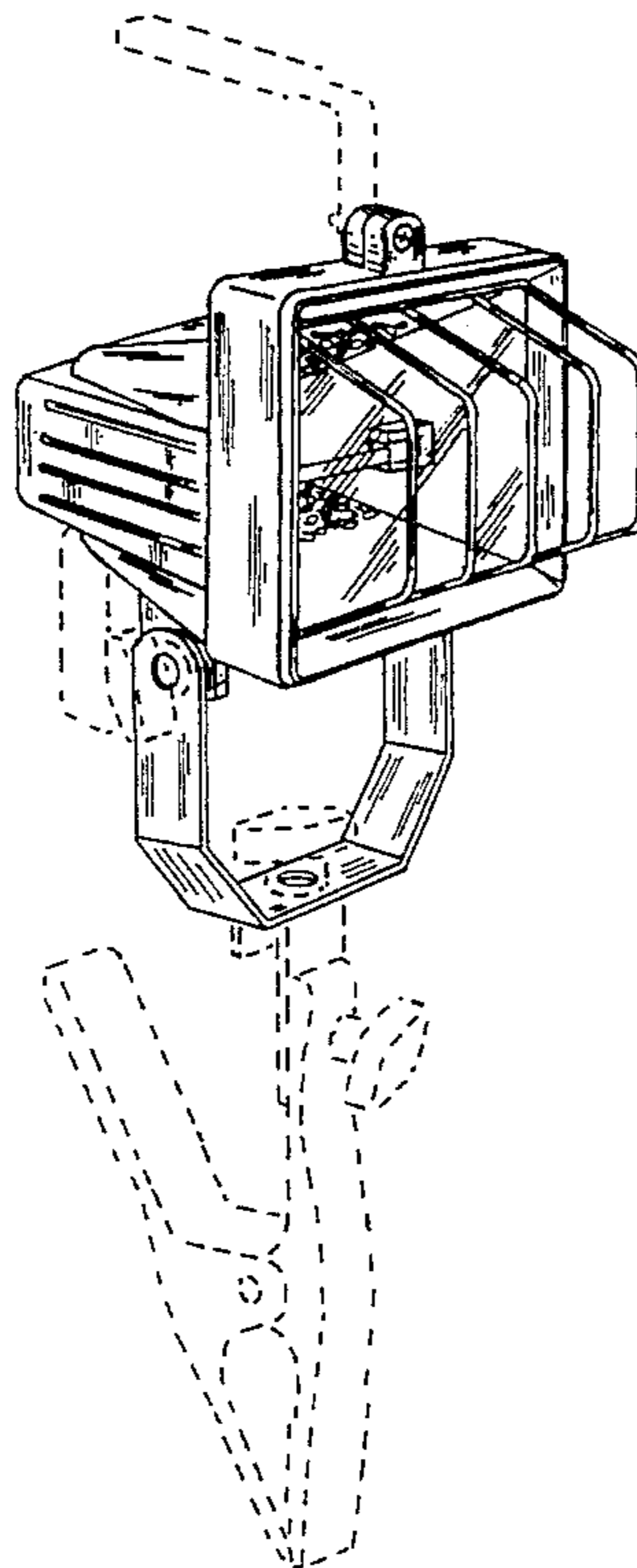


FIG. 1

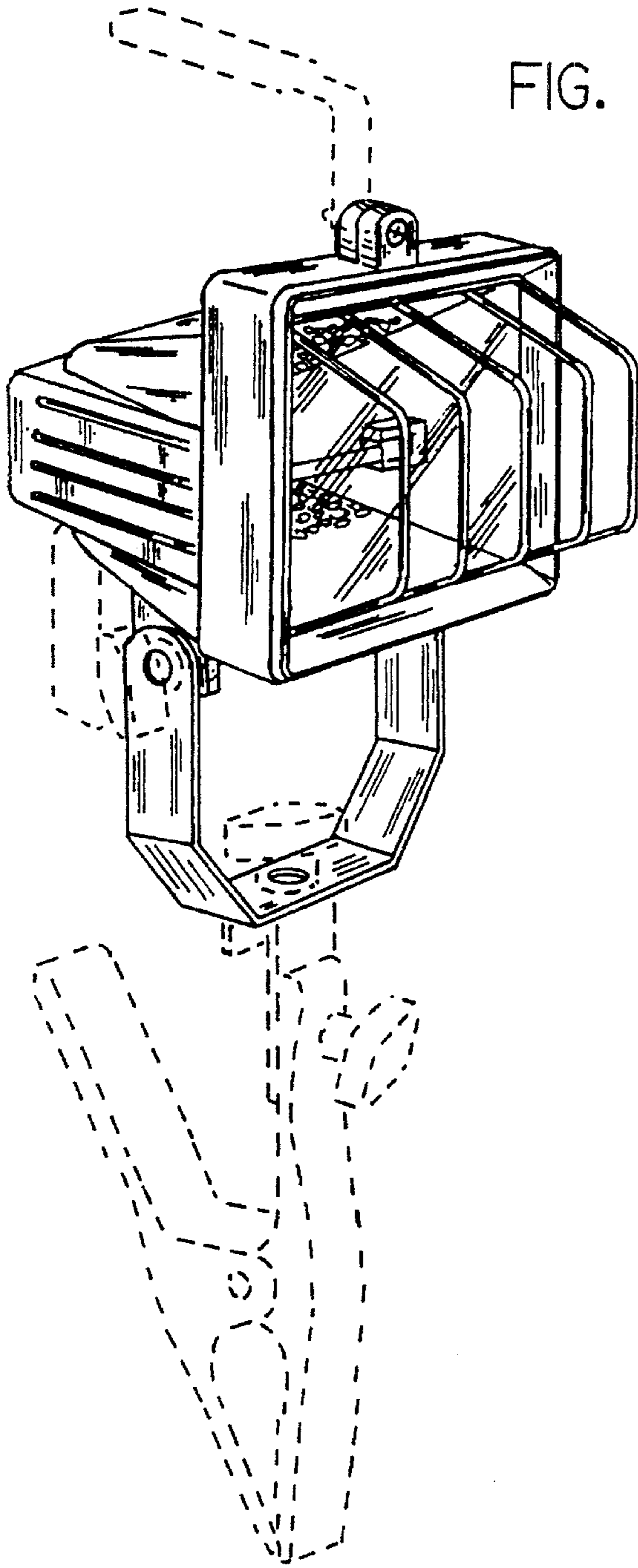


FIG. 2

