



US00D367539S

United States Patent [19]

[11] Patent Number: **Des. 367,539**

Burton-Chambers

[45] Date of Patent: ****Feb. 27, 1996**

[54] POST

4,084,914 4/1978 Humphrey et al. 256/1

[76] Inventor: **Roderick L. Burton-Chambers**, The Beeches Upper Bell Croft, Pinnar Lane, Southowram, Halifax, West Yorkshire HX3 9RJ, England

Primary Examiner—Doris Clark
Attorney, Agent, or Firm—Thomas R. Vigil

[**] Term: **14 Years**

[57] **CLAIM**

The ornamental design for a post, as shown and described.

[21] Appl. No.: **30,829**

[22] Filed: **Nov. 9, 1994**

DESCRIPTION

[30] **Foreign Application Priority Data**

May 20, 1994 [GB] United Kingdom 2039169
[52] U.S. Cl. **D25/126**
[58] Field of Search D25/35, 126; 49/131-134;
256/1

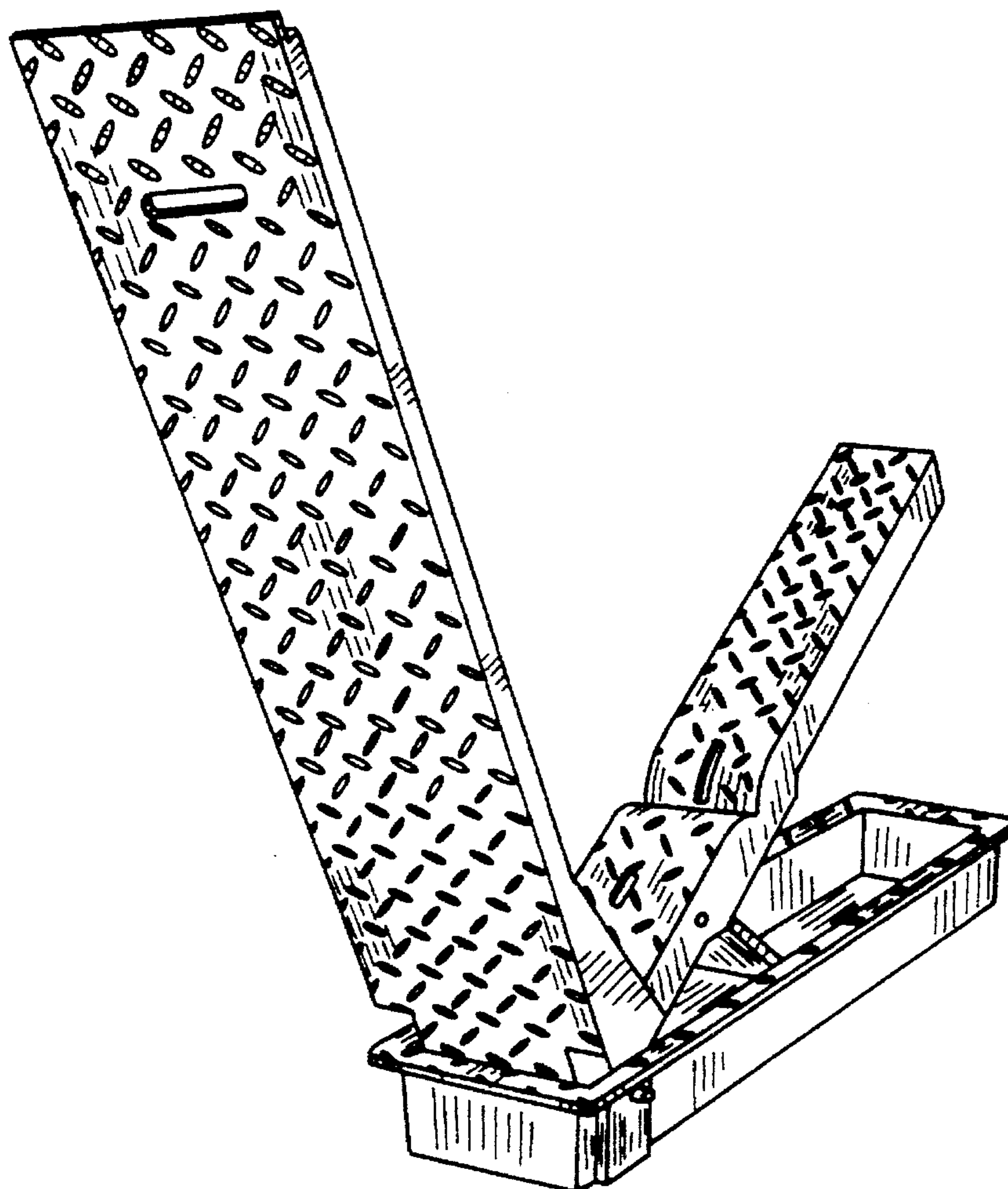
FIG. 1 is a perspective view from above, front and first side with post in collapsed position;
FIG. 2 is a perspective view from above, rear and second side with post in collapsed position;
FIG. 3 is a view similar to view 2 with post in upright position;
FIG. 4 is a view similar to view 1 with post in upright position;
FIG. 5 is a perspective view from above, rear and first side with post beyond upright position;
FIG. 6 is a perspective view from above, front and second side with post being beyond upright position; and,
FIG. 7 is a view from above and front with post being beyond upright position.

[56] **References Cited**

U.S. PATENT DOCUMENTS

2,737,740 3/1956 Genoe 49/131
2,912,229 11/1959 Persgard 256/1
3,688,439 9/1972 Doxsee D25/126

1 Claim, 7 Drawing Sheets



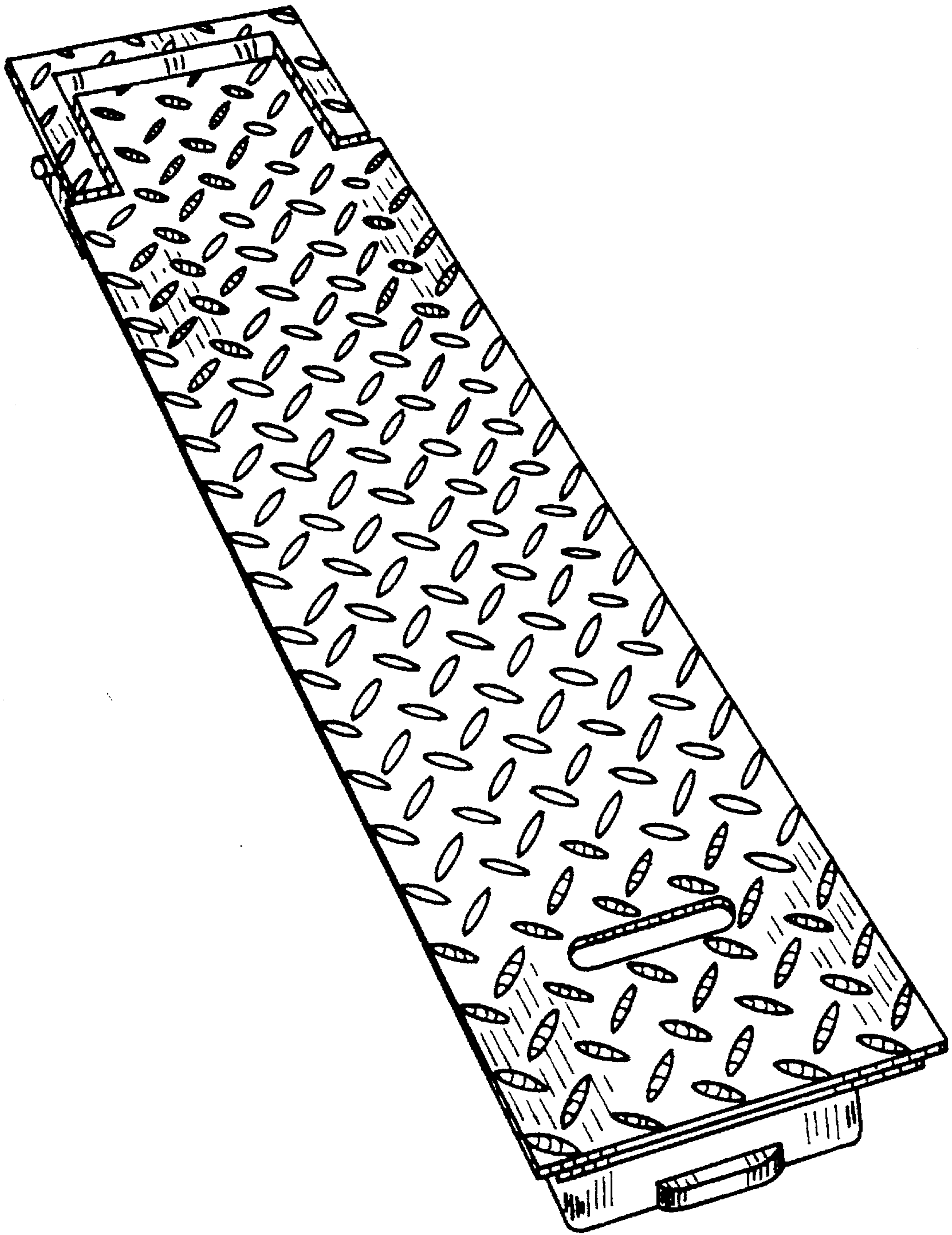


FIG. 1

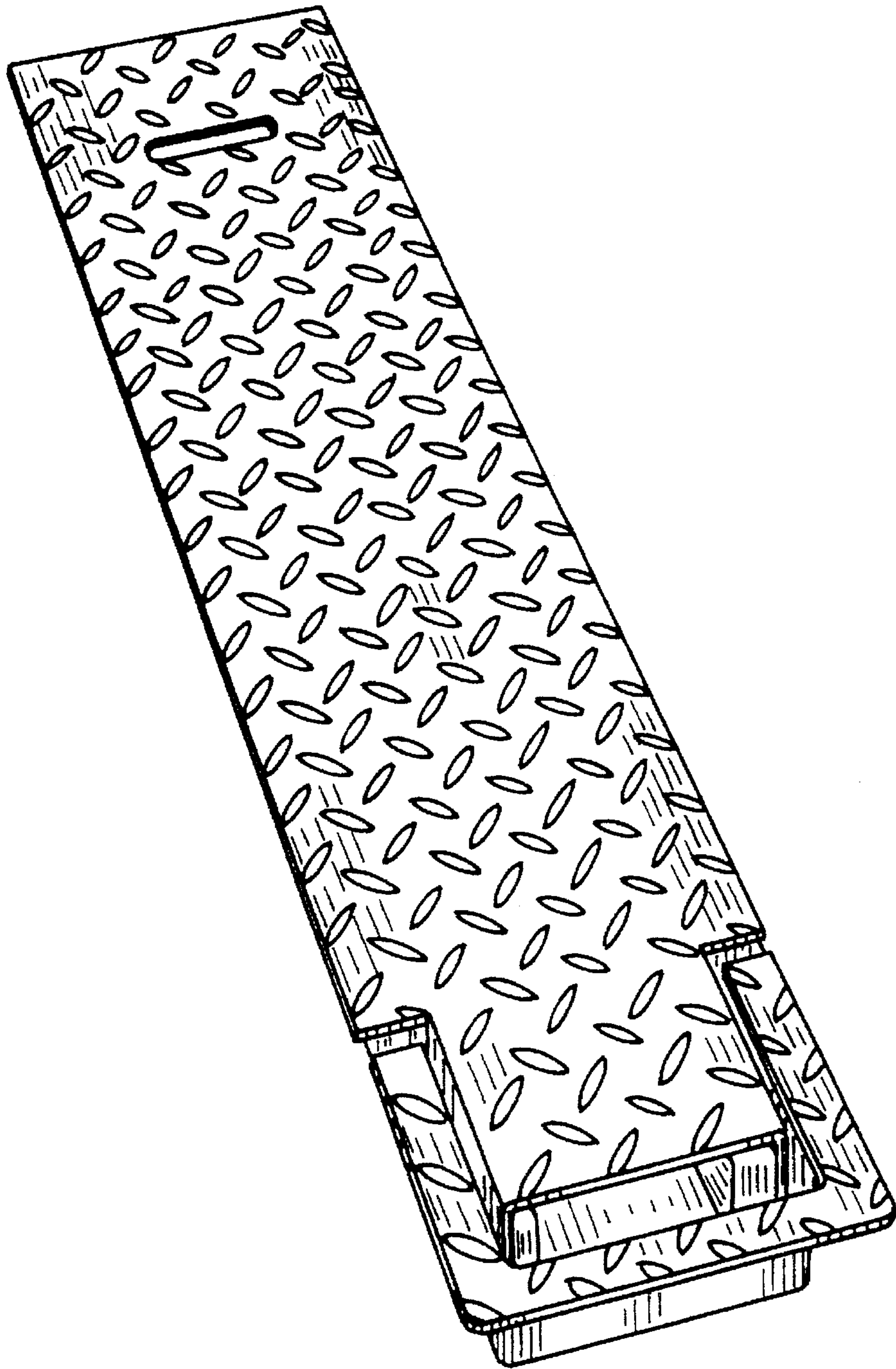


FIG. 2

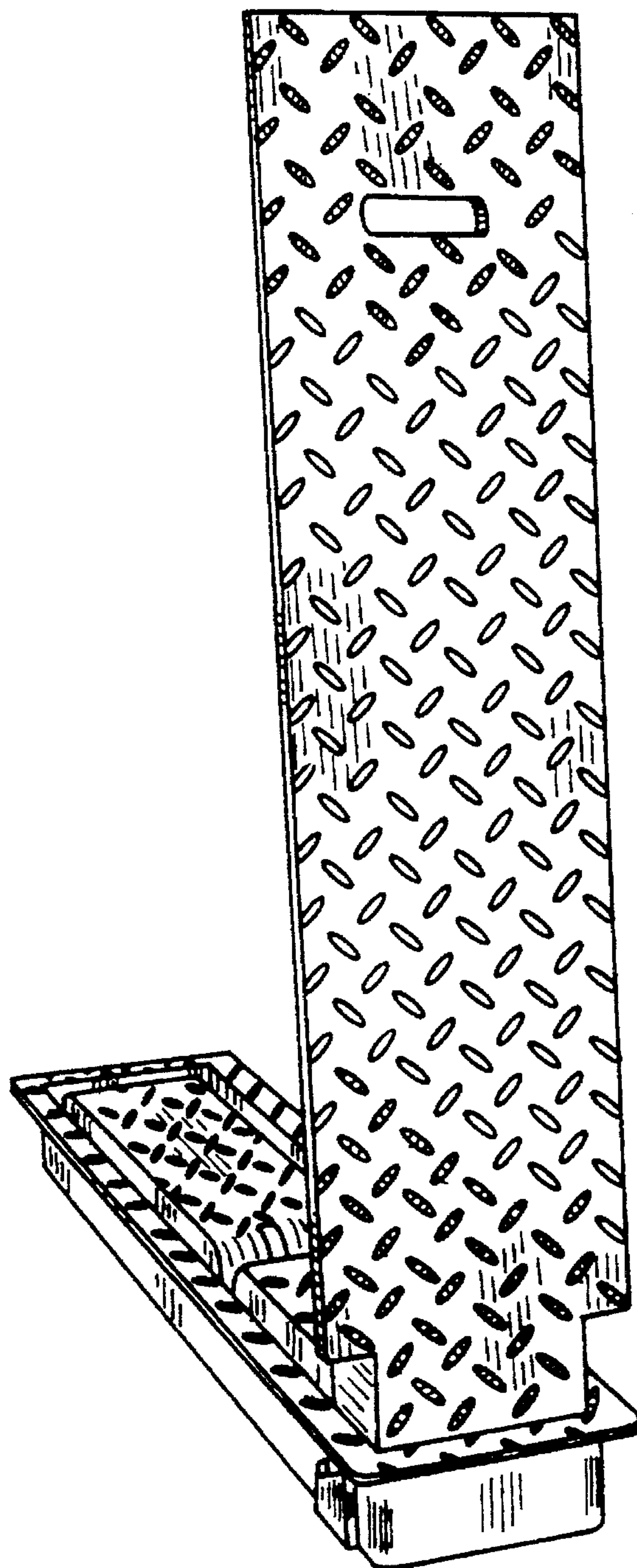


FIG. 3

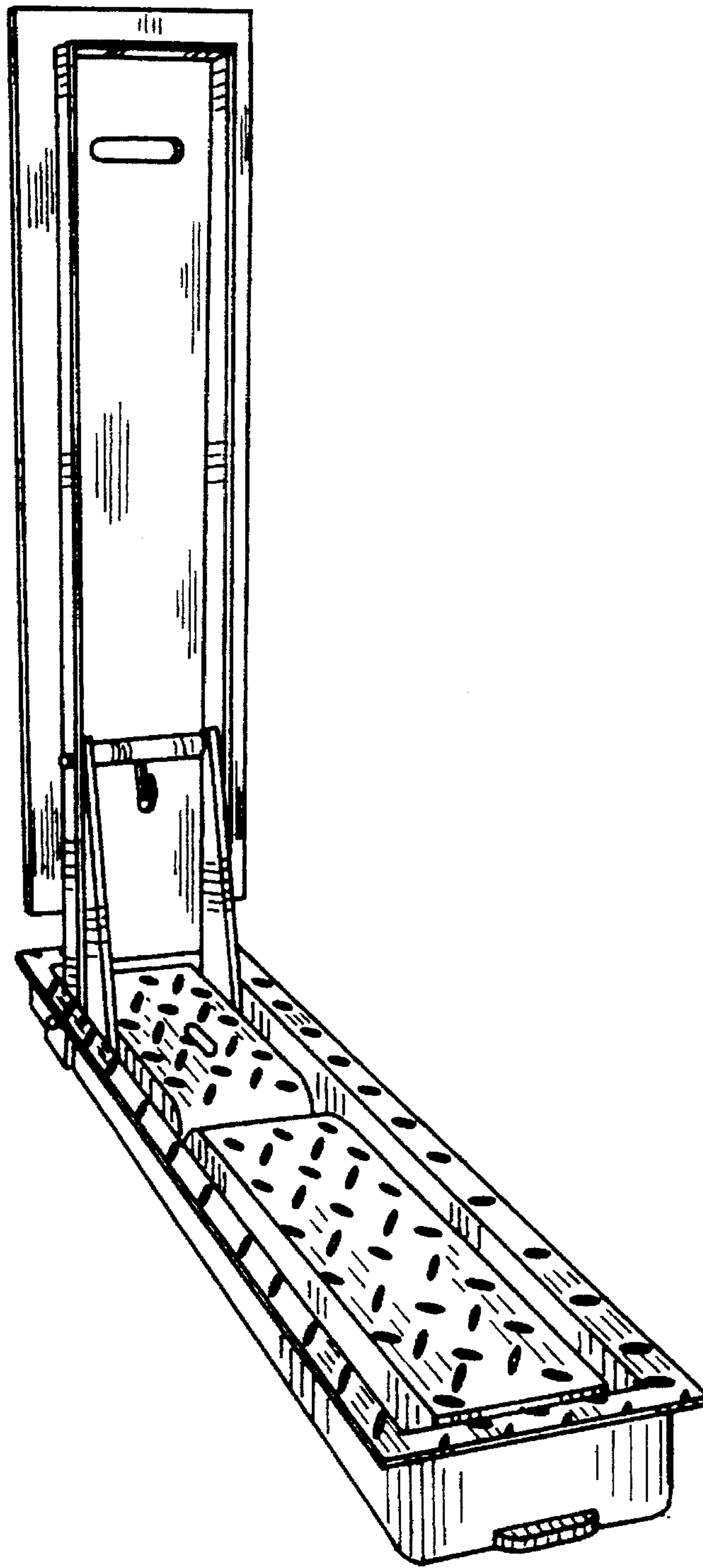


FIG. 4

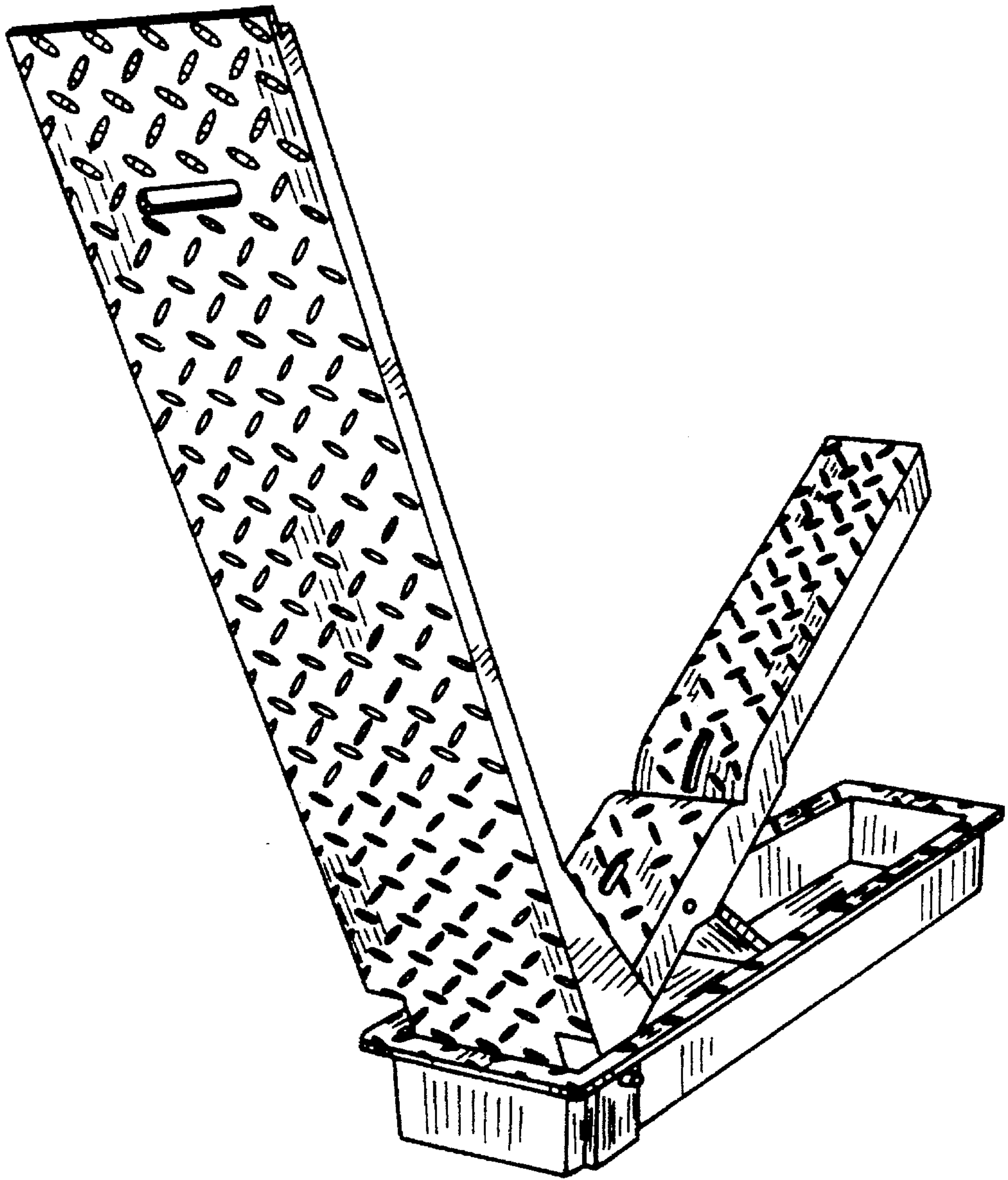


FIG. 5

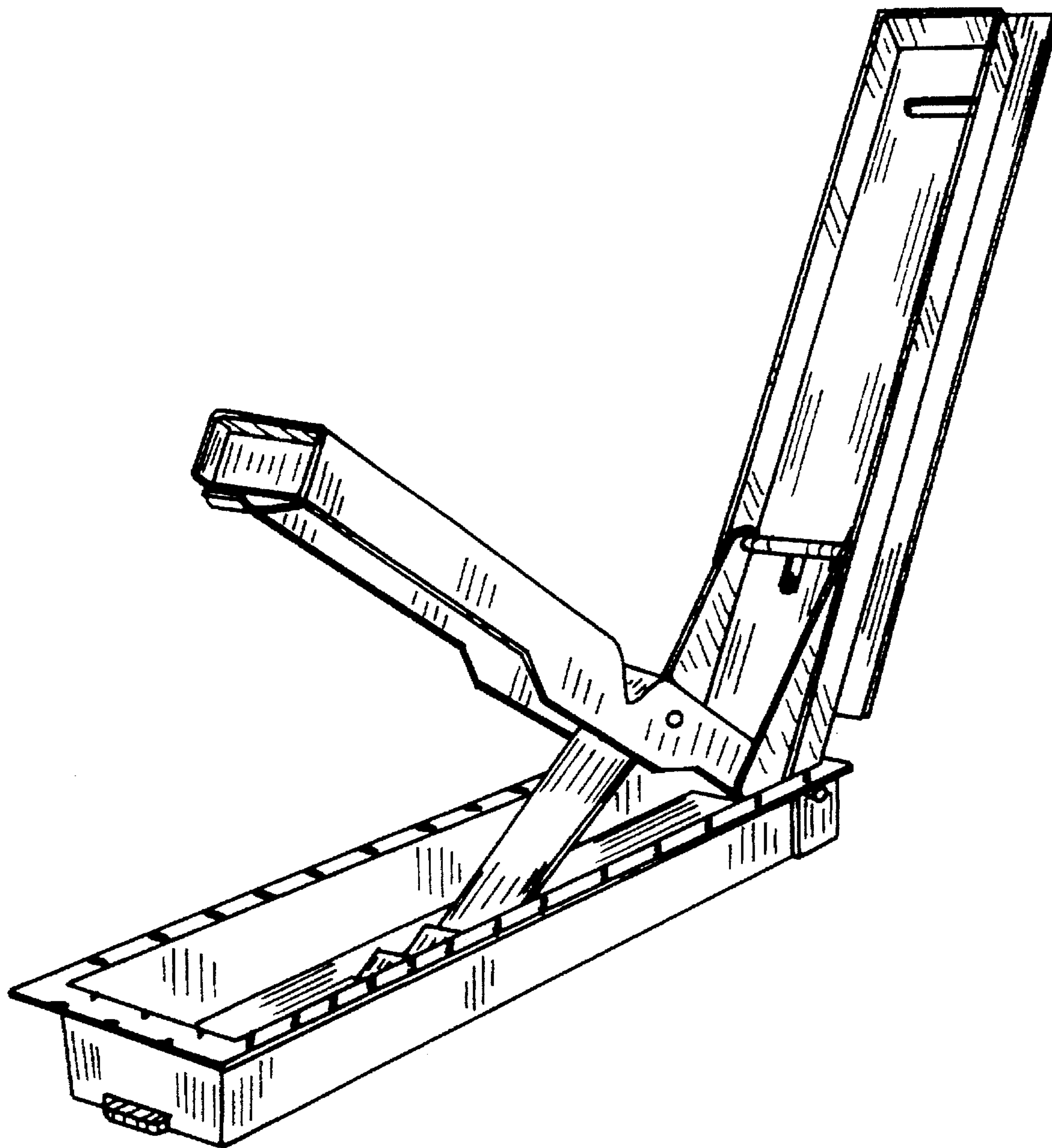


FIG. 6

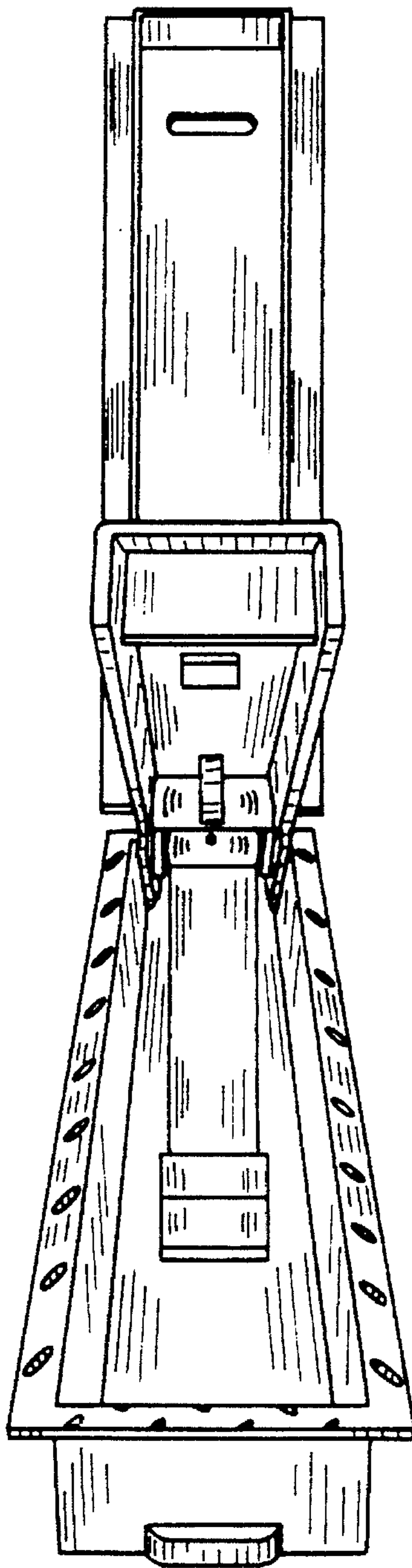


FIG. 7