



US00D367532S

United States Patent [19]

[11] Patent Number: **Des. 367,532**

Sirianne et al.

[45] Date of Patent: ****Feb. 27, 1996**

[54] **MEDICAL FILTER**

[75] Inventors: **Raymond A. Sirianne**, Evergreen;
Brad W. Filkins, Lafayette, both of
Colo.

[73] Assignee: **Rela, Inc.**, Boulder, Colo.

[**] Term: **14 Years**

[21] Appl. No.: **26,971**

[22] Filed: **Aug. 10, 1994**

[52] U.S. Cl. **D24/162**

[58] Field of Search D24/162; 210/445,
210/446, 436

4,148,732	4/1979	Burrow et al.	210/232
4,304,670	12/1981	Watanabe et al.	210/446
4,341,538	7/1982	Vadnay et al.	210/445
4,360,018	11/1982	Choksi	128/205.12
4,621,632	11/1986	Bartels et al.	128/203.27
4,798,676	1/1989	Matkovich	210/767
5,042,468	8/1991	Lambert	128/200.26
5,195,527	3/1993	Hicks	128/205.12
5,222,488	6/1993	Forsgren	128/201.25

Primary Examiner—Stella Reid
Attorney, Agent, or Firm—Sheridan Ross & McIntosh

[57] CLAIM

The ornamental design for a medical filter, as shown and described.

DESCRIPTION

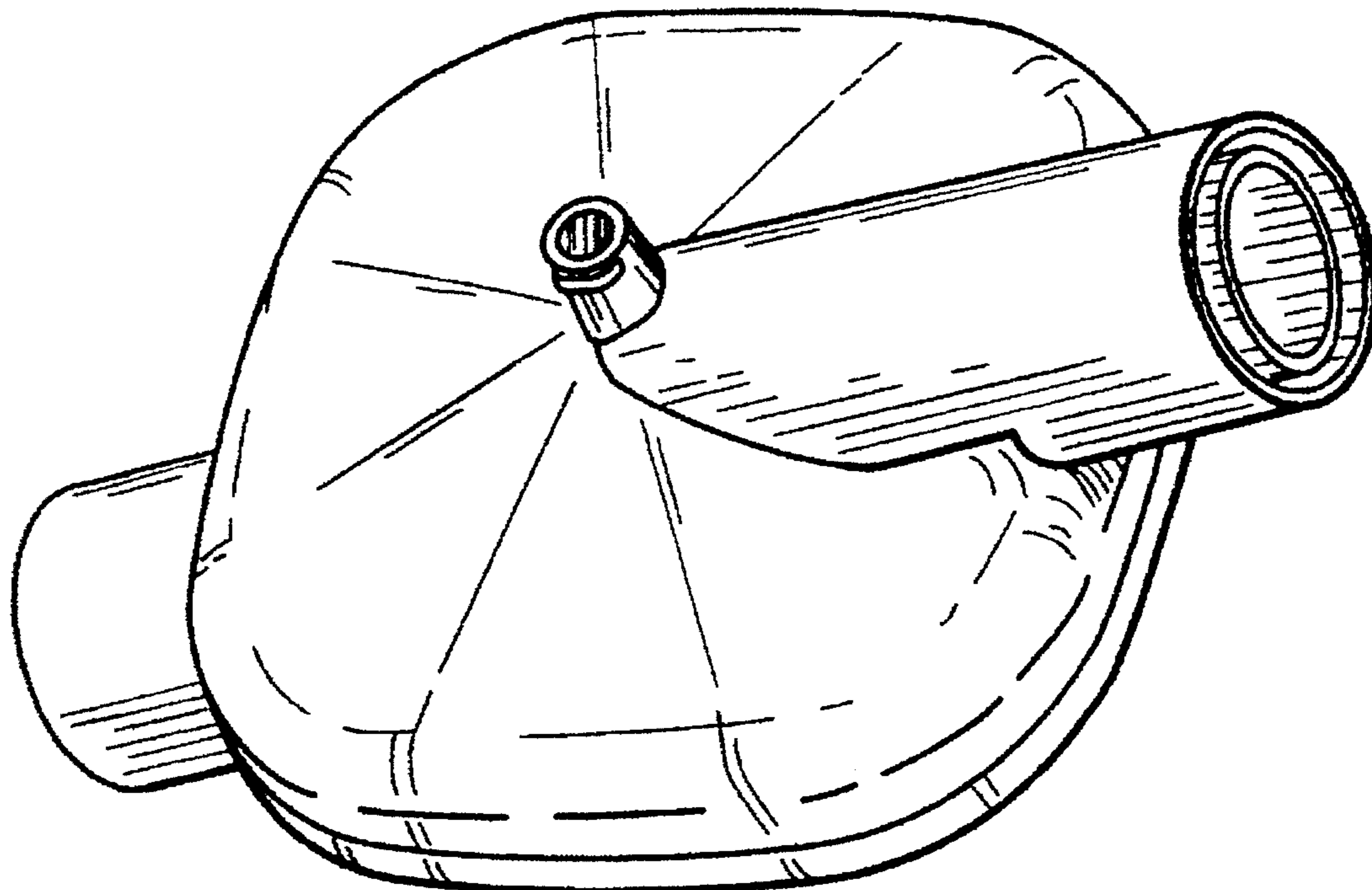
FIG. 1 is a perspective view of a medical filter illustrating one embodiment of the present invention;
 FIG. 2 is a side elevational view of the filter illustrated in FIG. 1, with the opposite side being a mirror image thereof;
 FIG. 3 is a front elevational view of the filter illustrated in FIG. 1;
 FIG. 4 is a rear elevational view of the filter illustrated in FIG. 1;
 FIG. 5 is a top plan view of the filter illustrated in FIG. 1;
 FIG. 6 is a bottom plan view of the filter illustrated in FIG. 1; and,
 FIG. 7 is a top plan view of a second embodiment of the medical filter, with the only difference residing in the placement of the ports, all other sides being identical to that shown in FIGS. 1-6.

[56] References Cited

U.S. PATENT DOCUMENTS

D. 192,718	5/1962	Madl	D83/1
D. 253,721	12/1979	Gibeck	D24/52
D. 267,117	11/1982	Rosenberg	D24/52
D. 270,089	8/1983	Vcelka	D24/8
D. 285,606	9/1986	Christopherson	D24/34
D. 299,269	1/1989	Pierson et al.	D24/21
D. 301,377	5/1989	Lambert	D24/52
D. 302,040	7/1989	Lambert	D24/52
D. 314,435	2/1991	Unger et al.	D24/162
D. 325,082	3/1992	Lambert	D24/111
D. 355,973	2/1995	Tjiri et al.	D24/162
D. 360,464	7/1995	Murray	D24/162
3,782,083	1/1974	Rosenberg	55/491
3,815,754	6/1974	Rosenberg	210/445
3,903,884	9/1975	Huston et al.	128/194
4,128,407	12/1978	Chapel	55/259

1 Claim, 4 Drawing Sheets



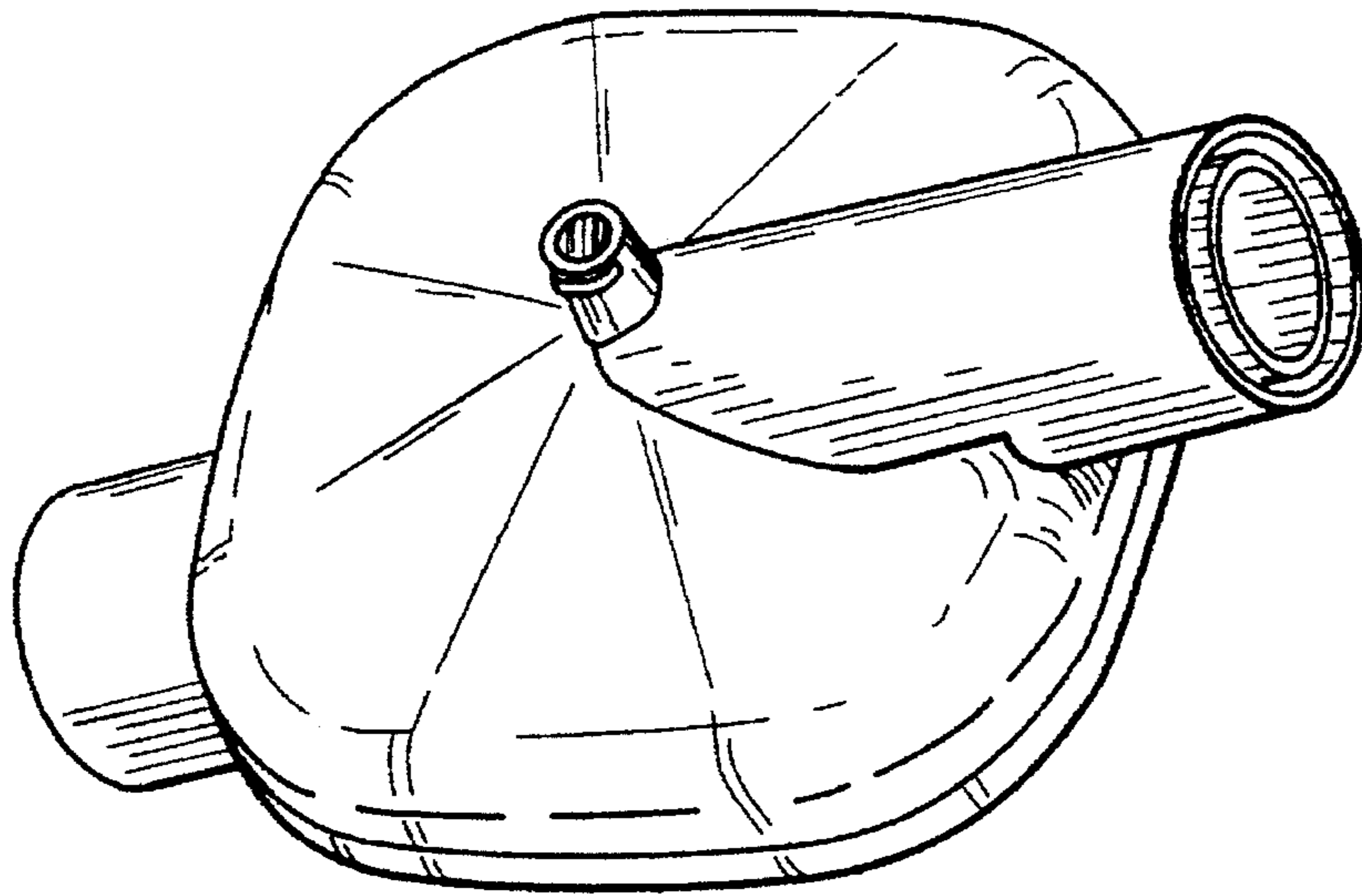


Fig. 1

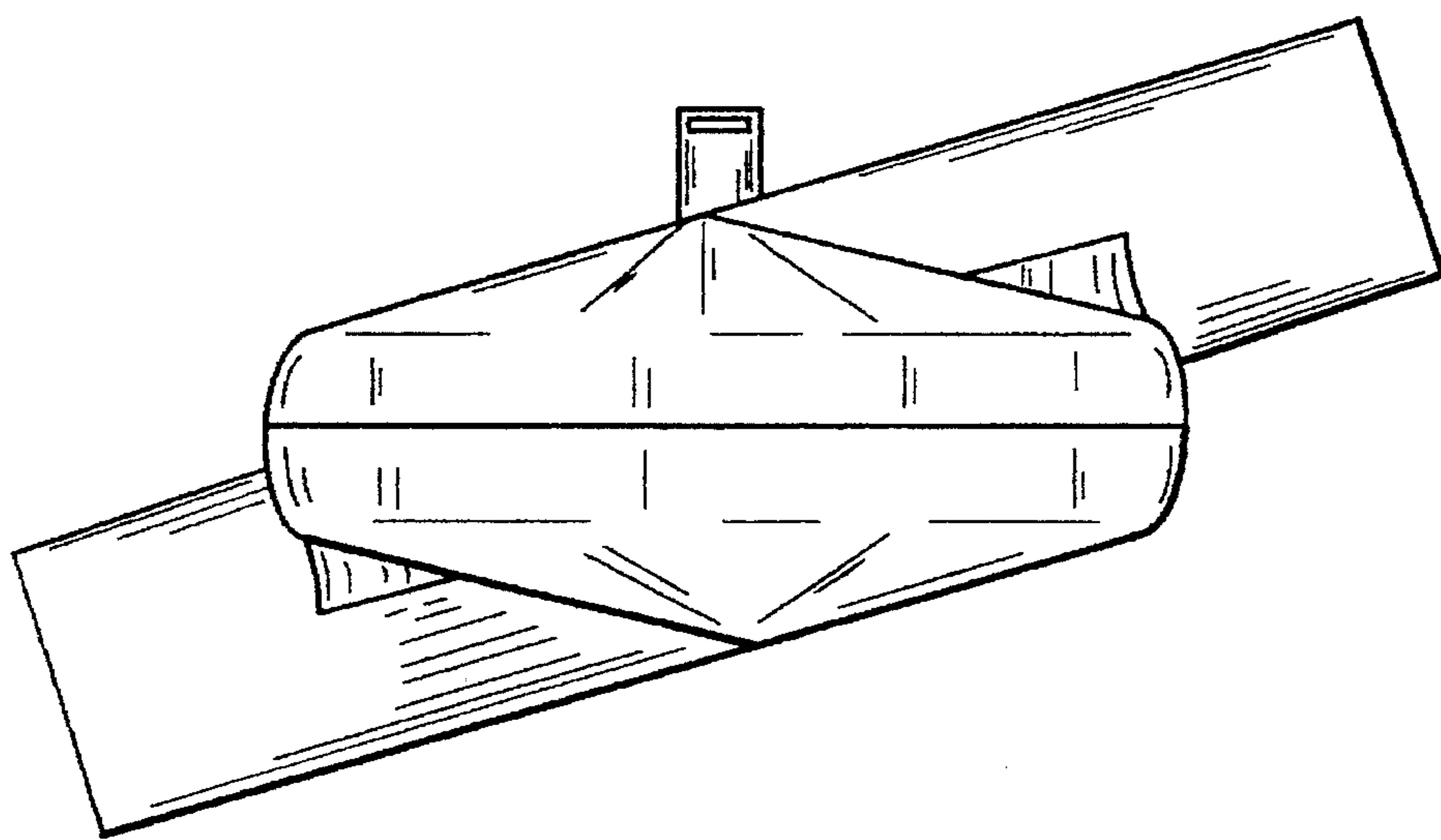


Fig. 2

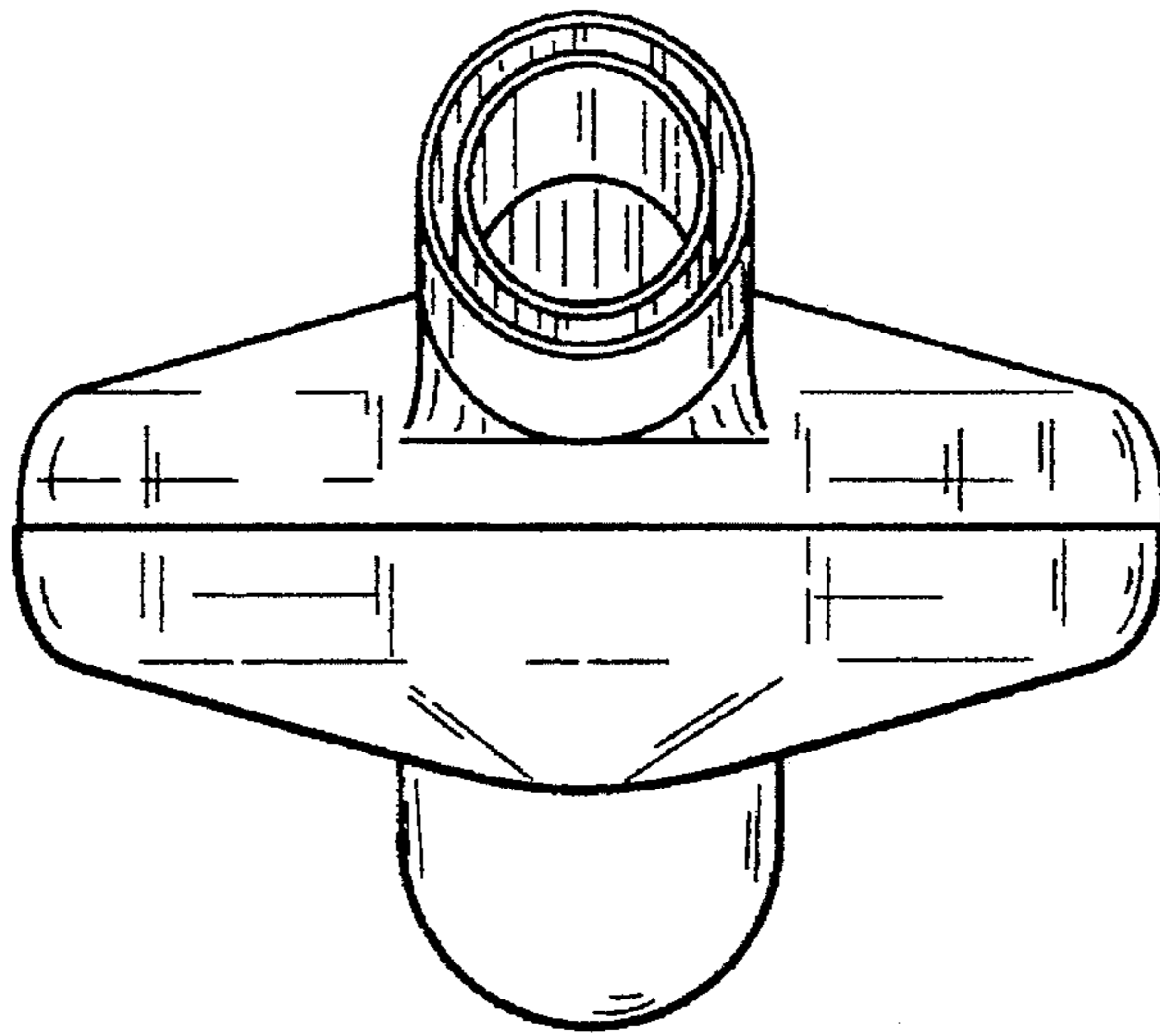


Fig. 3

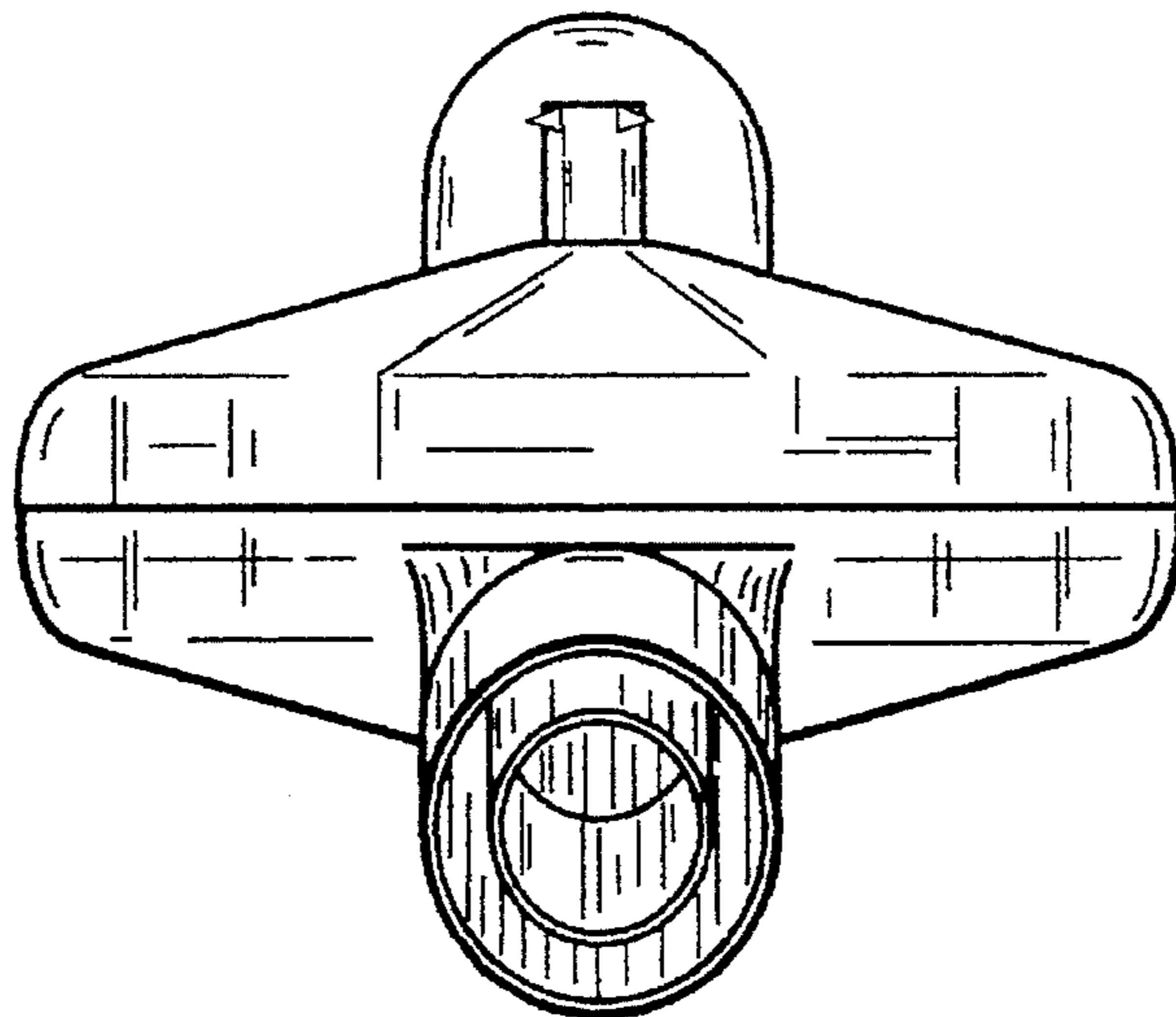


Fig. 4

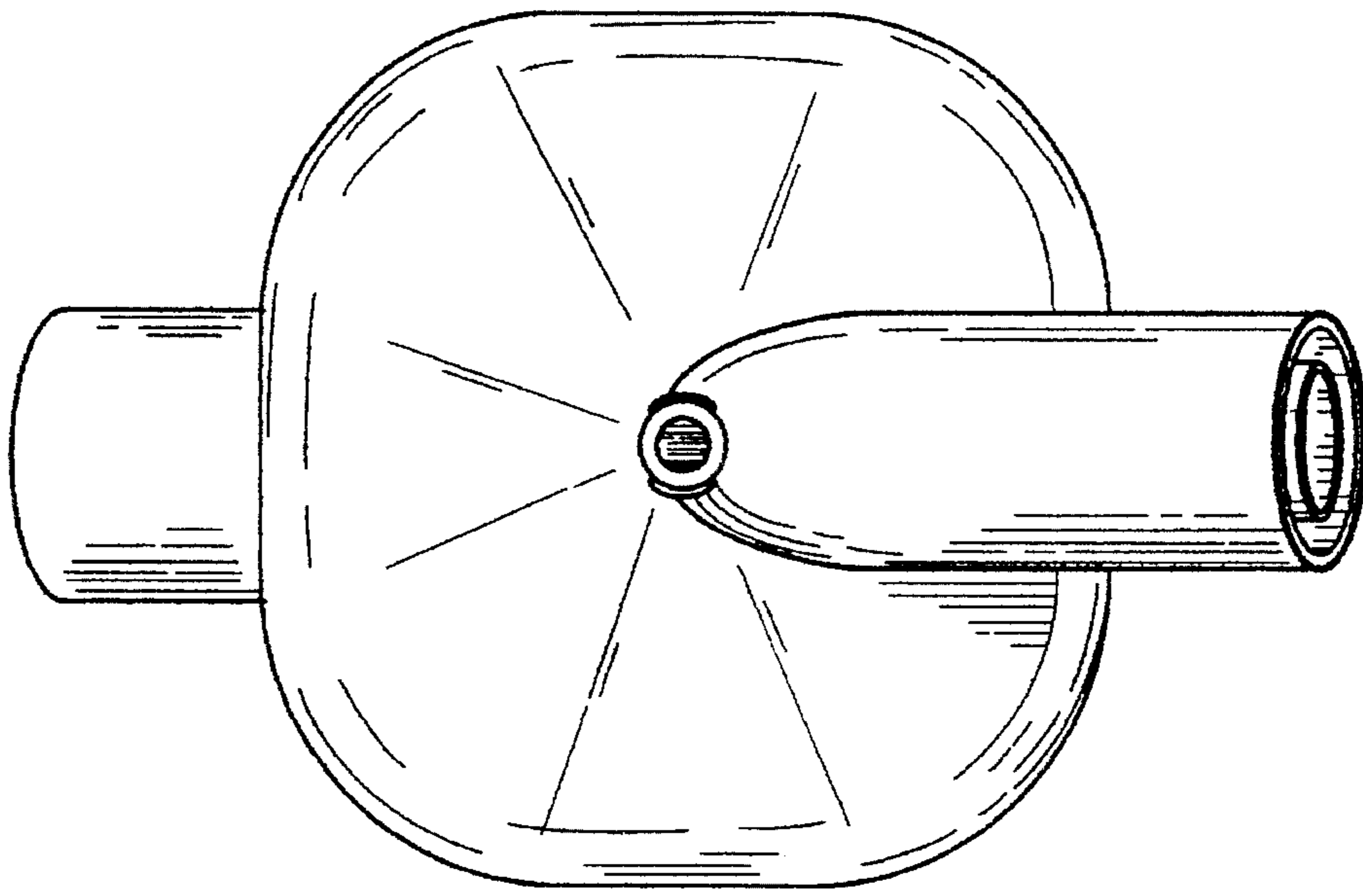


Fig. 5

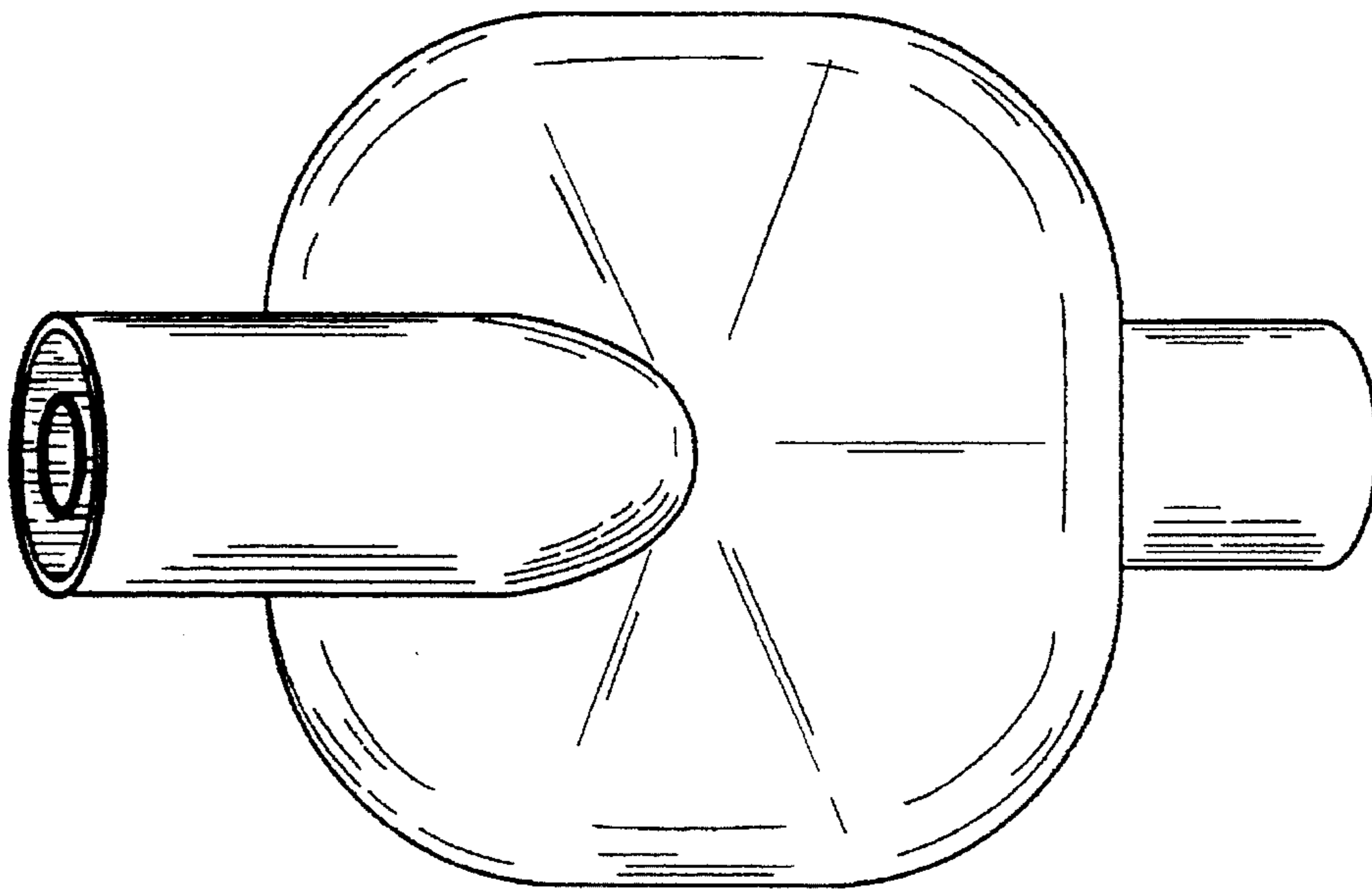


Fig. 6

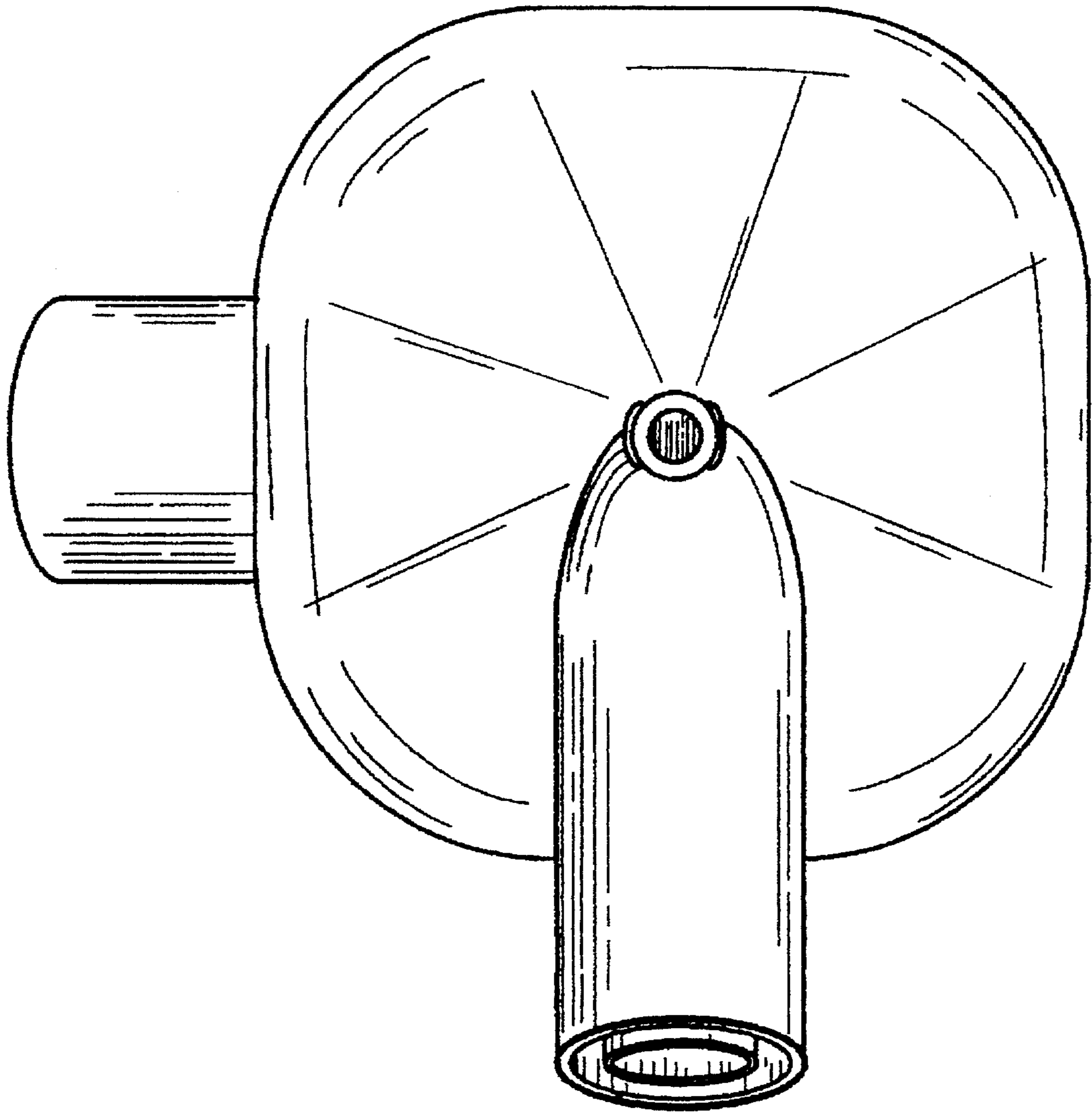


Fig. 7