



US00D367530S

United States Patent [19]
Stith

[11] **Patent Number: Des. 367,530**

[45] **Date of Patent: **Feb. 27, 1996**

[54] **INTRAVENOUS POLE WITH MULTIPLE ELECTRICAL OUTLETS**

4,886,237 12/1989 Dennis 248/316.5 X
5,319,816 6/1994 Ruehl 248/121 X

[75] Inventor: **Rosemarie Stith**, 100-26G Darrow Pl., Bronx, N.Y. 10475

Primary Examiner—Louis S. Zarfes

Assistant Examiner—I. Simmons

Attorney, Agent, or Firm—Kirschstein et al. er Israel and Schiffmiller

[73] Assignees: **Rosemarie Stith**, Bronx, N.Y.; **Anita Sultana**, Long Island City, N.Y.

[**] Term: **14 Years**

[57] **CLAIM**

The ornamental design for a intravenous pole with multiple electrical outlets, as shown and described.

[21] Appl. No.: **27,317**

[22] Filed: **Aug. 18, 1994**

DESCRIPTION

[52] U.S. Cl. **D24/128**

FIG. 1 is a front, perspective view of my intravenous pole with multiple electrical outlets showing my new design; FIG. 2 is a right side elevational view thereof, the left side elevational view being a mirror image; FIG. 3 is a top plan view thereof; FIG. 4 is a rear elevational view thereof; and, FIG. 5 is a bottom plan view thereof.

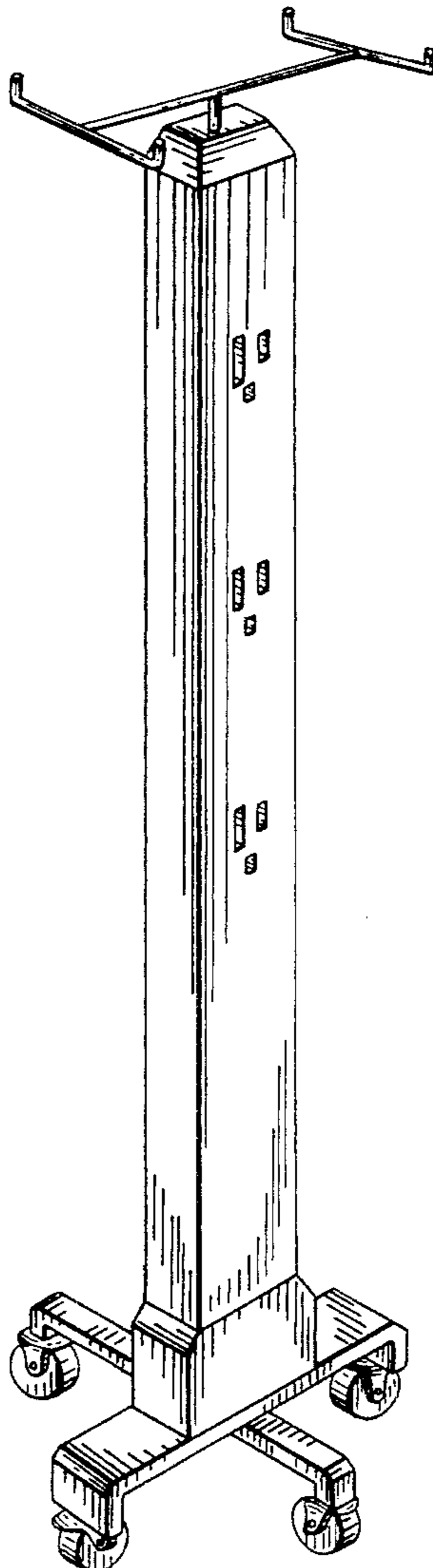
[58] Field of Search D24/128; 248/125, 248/129, 159, 145, 229, 312, 318; 604/80, 246, 245; D13/143

[56] **References Cited**

U.S. PATENT DOCUMENTS

D. 244,465 5/1977 Stoneman D13/143
D. 300,922 5/1989 Schwartz D13/143

1 Claim, 3 Drawing Sheets



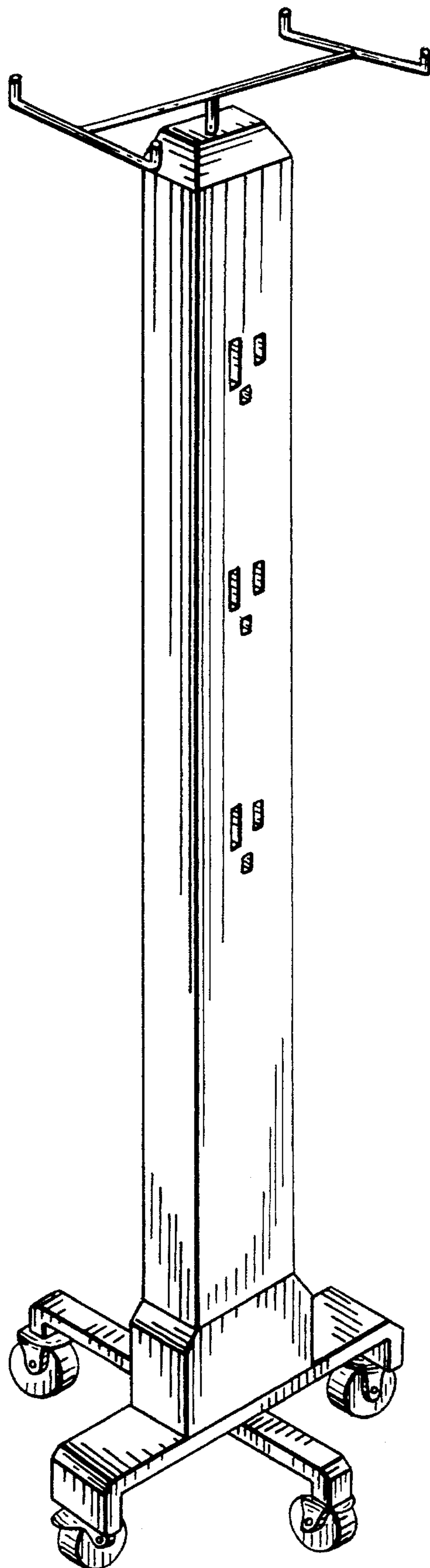


FIG. 1

FIG. 2

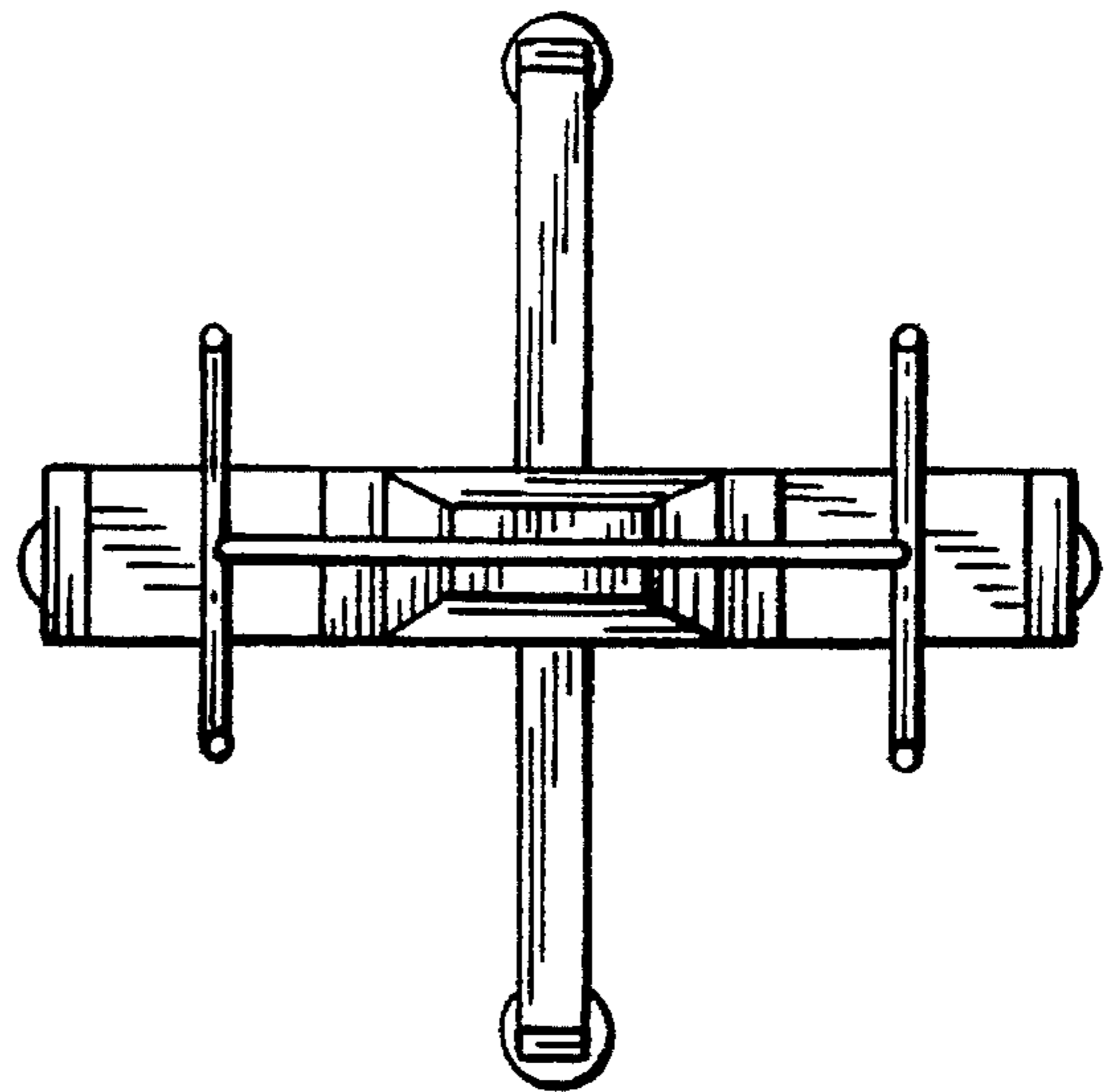
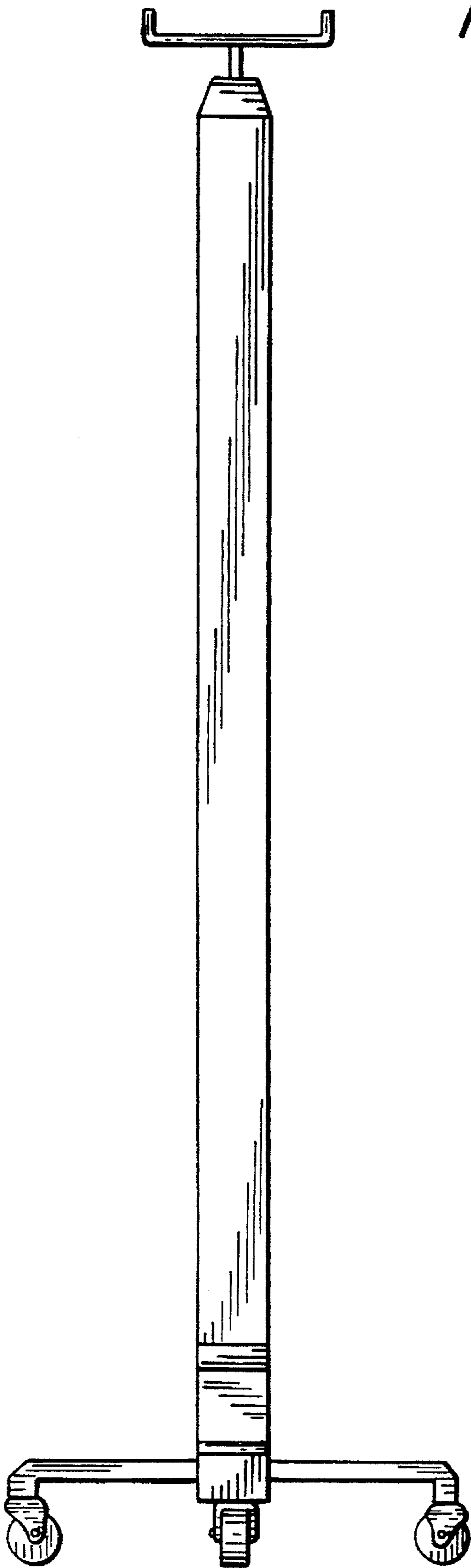


FIG. 3

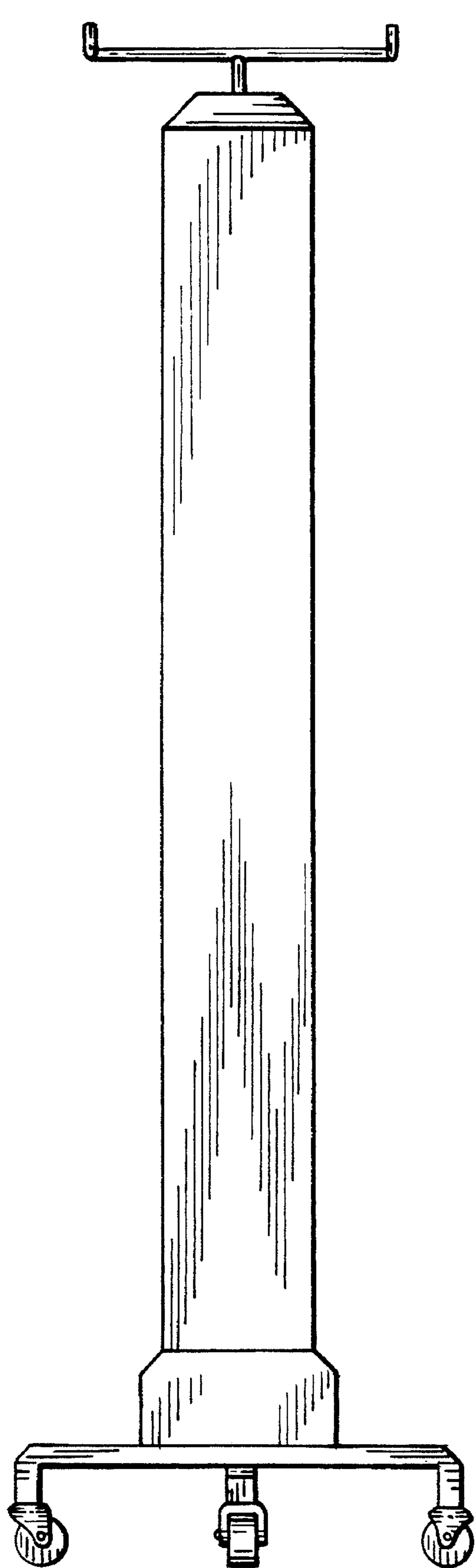


FIG. 4

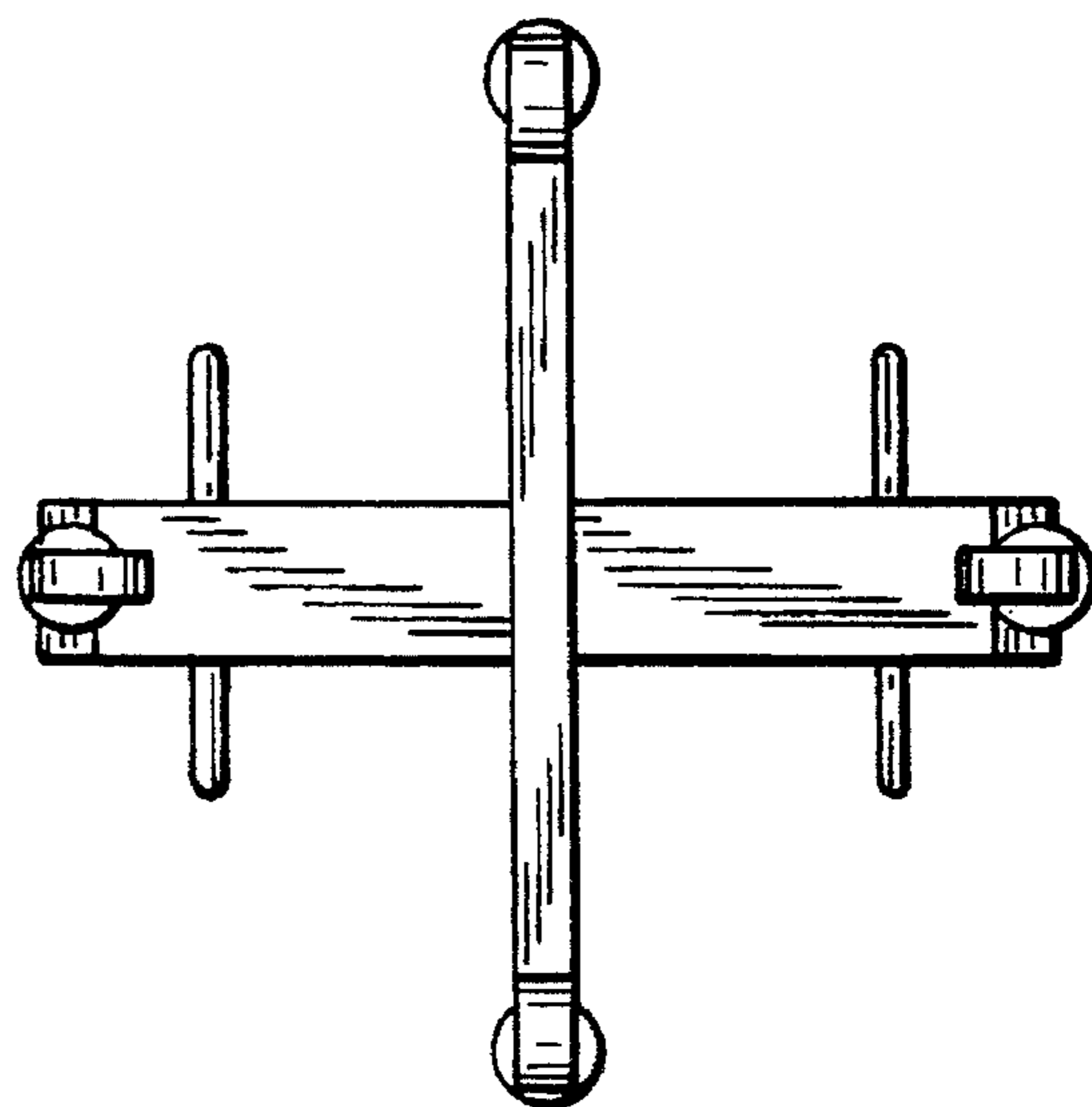


FIG. 5