



US00D367529S

United States Patent [19]

[11] Patent Number: **Des. 367,529**

Price et al.

[45] Date of Patent: ****Feb. 27, 1996**

[54] **EXTERNAL FIXATION WIRE RETAINER**

[75] Inventors: **Gregory G. Price**, Warsaw; **Randall N. Allard**, Plymouth, both of Ind.

[73] Assignee: **Zimmer, Inc.**, Warsaw, Ind.

[**] Term: **14 Years**

[21] Appl. No.: **25,126**

[22] Filed: **Jun. 27, 1994**

[52] U.S. Cl. **D24/127; D24/128; D24/130; D24/145**

[58] Field of Search **D24/143, 145, D24/130, 140, 128, 127; 606/54, 53, 59, 72, 73, 104, 103, 96**

[56] **References Cited**

U.S. PATENT DOCUMENTS

D. 342,134	12/1993	Mongeon	D24/127
4,308,863	1/1982	Fischer	128/92 A
4,365,624	12/1982	Jaquet	128/92 A
4,535,763	8/1985	Jaquet	128/92 A
4,620,533	11/1986	Mears	128/92 Z
4,624,249	11/1986	Cambras	128/92 ZK
4,688,560	8/1987	Schultz	606/59
4,768,524	9/1988	Hardy	128/92 Z
4,784,125	11/1988	Monticelli et al.	128/92 Z
4,889,111	12/1989	Ben-Dov	128/419 F
4,923,458	5/1990	Fischer	606/59
4,936,843	6/1990	Sohngen	606/54
4,941,481	7/1990	Wagenknecht	606/59
4,976,712	12/1990	Vander Slik	606/59
5,021,054	6/1991	Monfardini et al.	606/54
5,067,954	11/1991	Ilizarov	606/58
5,087,258	2/1992	Schewior	606/56
5,095,919	3/1992	Monticelli et al.	606/56

5,098,432	3/1992	Wagenknecht	606/54
5,112,331	5/1992	Miletich	606/53
5,167,661	12/1992	Wagenknecht	606/54
5,275,598	1/1994	Cook	606/54
5,300,072	4/1994	Aghion	606/59
5,300,075	4/1994	Gordon	606/53 X
5,330,476	7/1994	Hiot et al.	606/59 X

FOREIGN PATENT DOCUMENTS

2499400	8/1982	France	A61B 17/18
---------	--------	--------	-------	------------

OTHER PUBLICATIONS

Zimmer, Inc.—Brochure—Torus External Fixation System—Lit. No. 97-2613-01 Rev. 1—1993.

Primary Examiner—Louis S. Zarfaz
Assistant Examiner—I. Simmons
Attorney, Agent, or Firm—Margaret L. Geringer

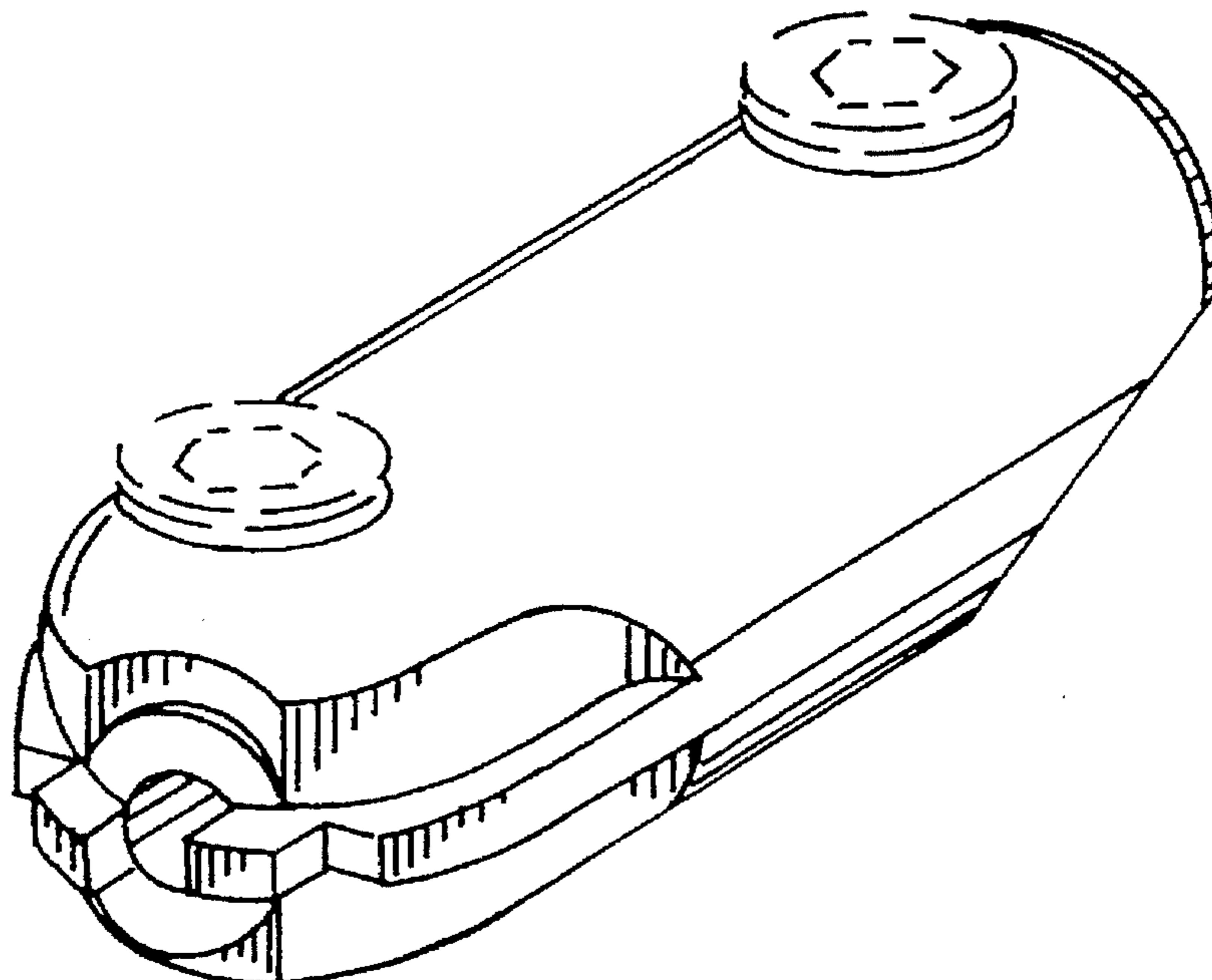
[57] **CLAIM**

The ornamental design for an external fixation wire retainer, as shown and described.

DESCRIPTION

FIG. 1 is a perspective view of an external fixation wire retainer;
FIG. 2 is an end view thereof;
FIG. 3 is an end view thereof of the end opposite the end shown in FIG. 2;
FIG. 4 is a top plan view thereof;
FIG. 5 is a bottom plan view thereof;
FIG. 6 is a side elevational view thereof; and,
FIG. 7 is a side elevational view thereof of the side opposite the side shown in FIG. 6.

1 Claim, 1 Drawing Sheet



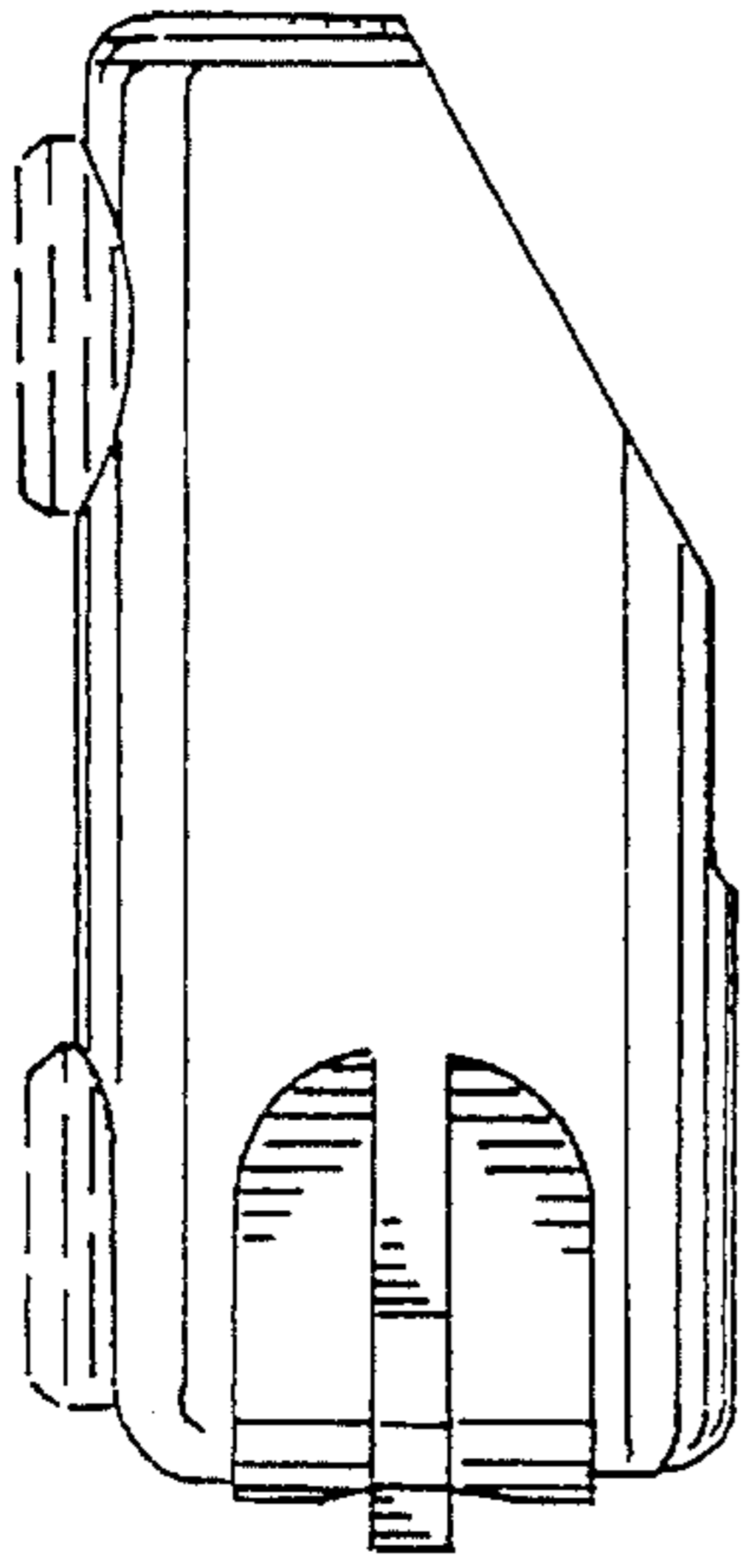


FIG. 6

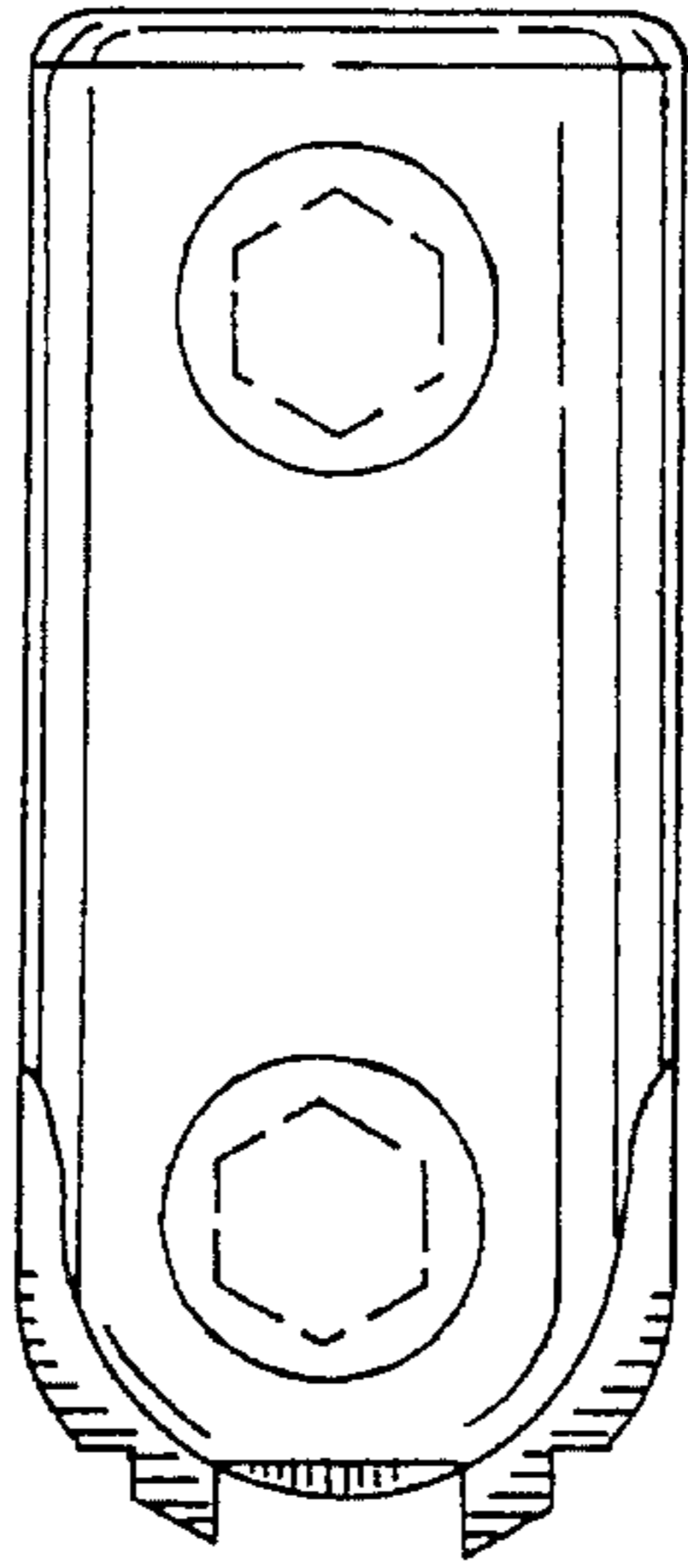


FIG. 4

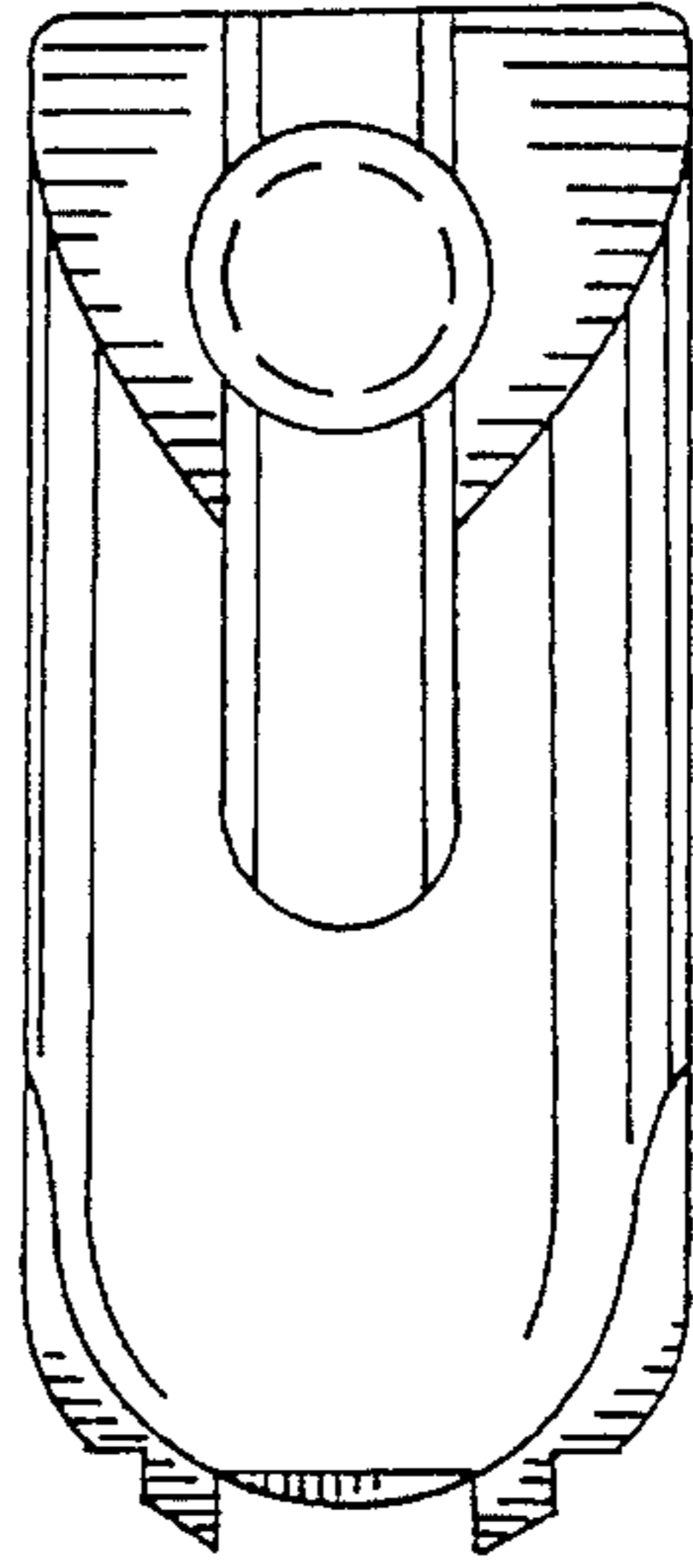


FIG. 5

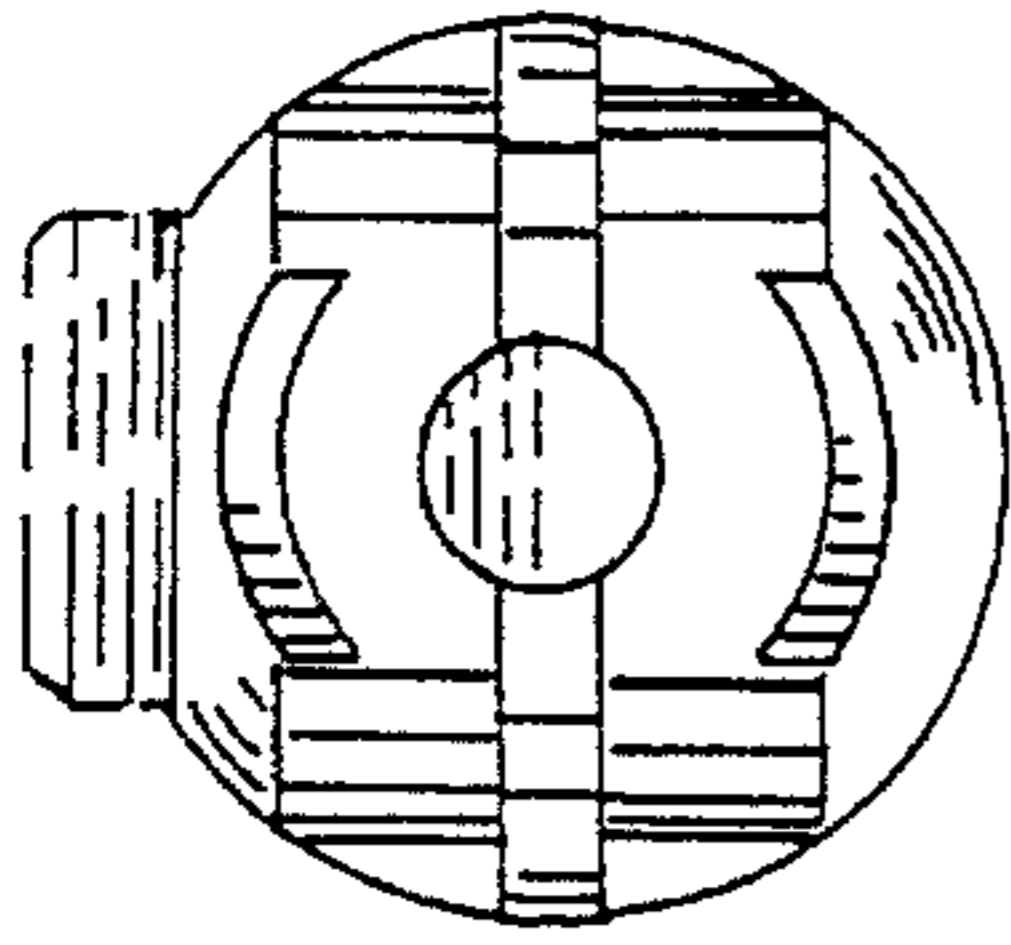


FIG. 2

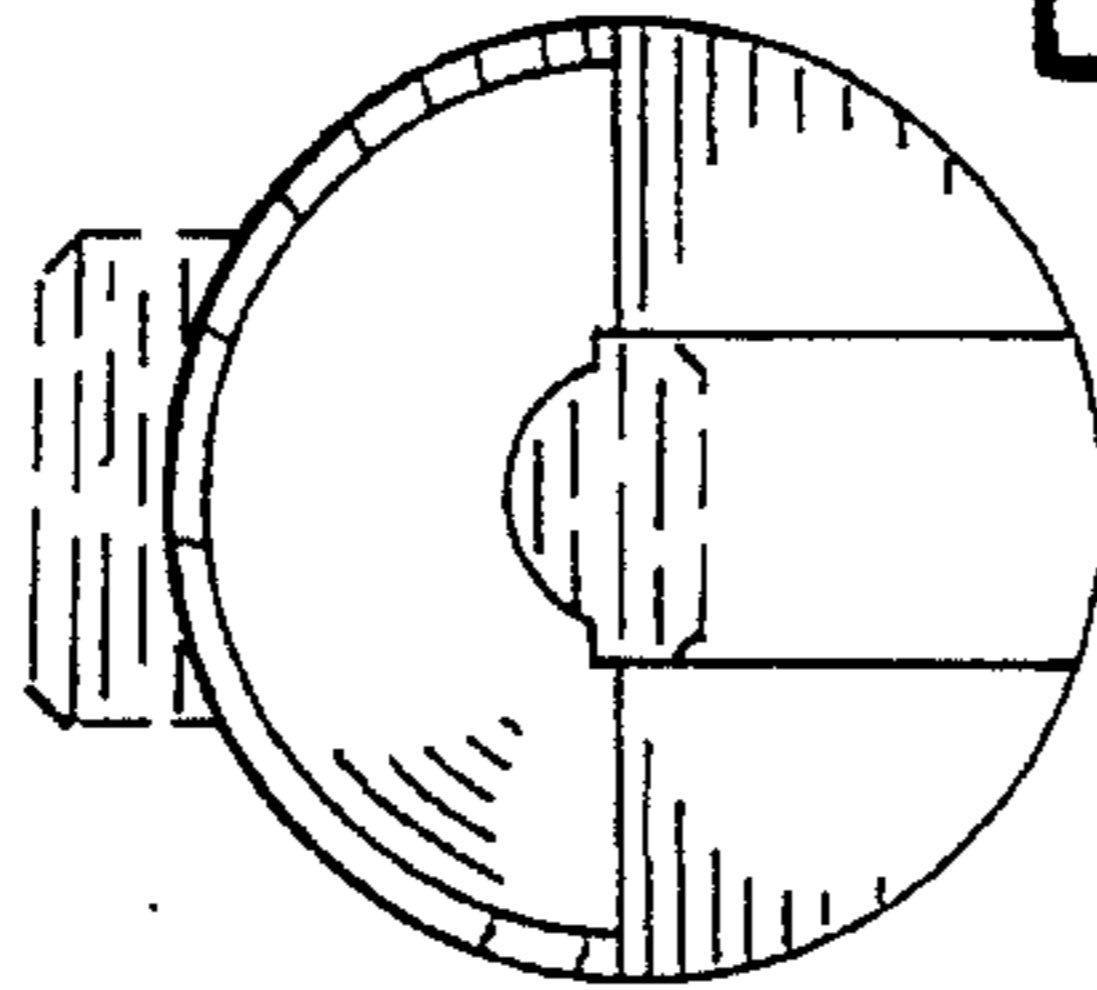


FIG. 3

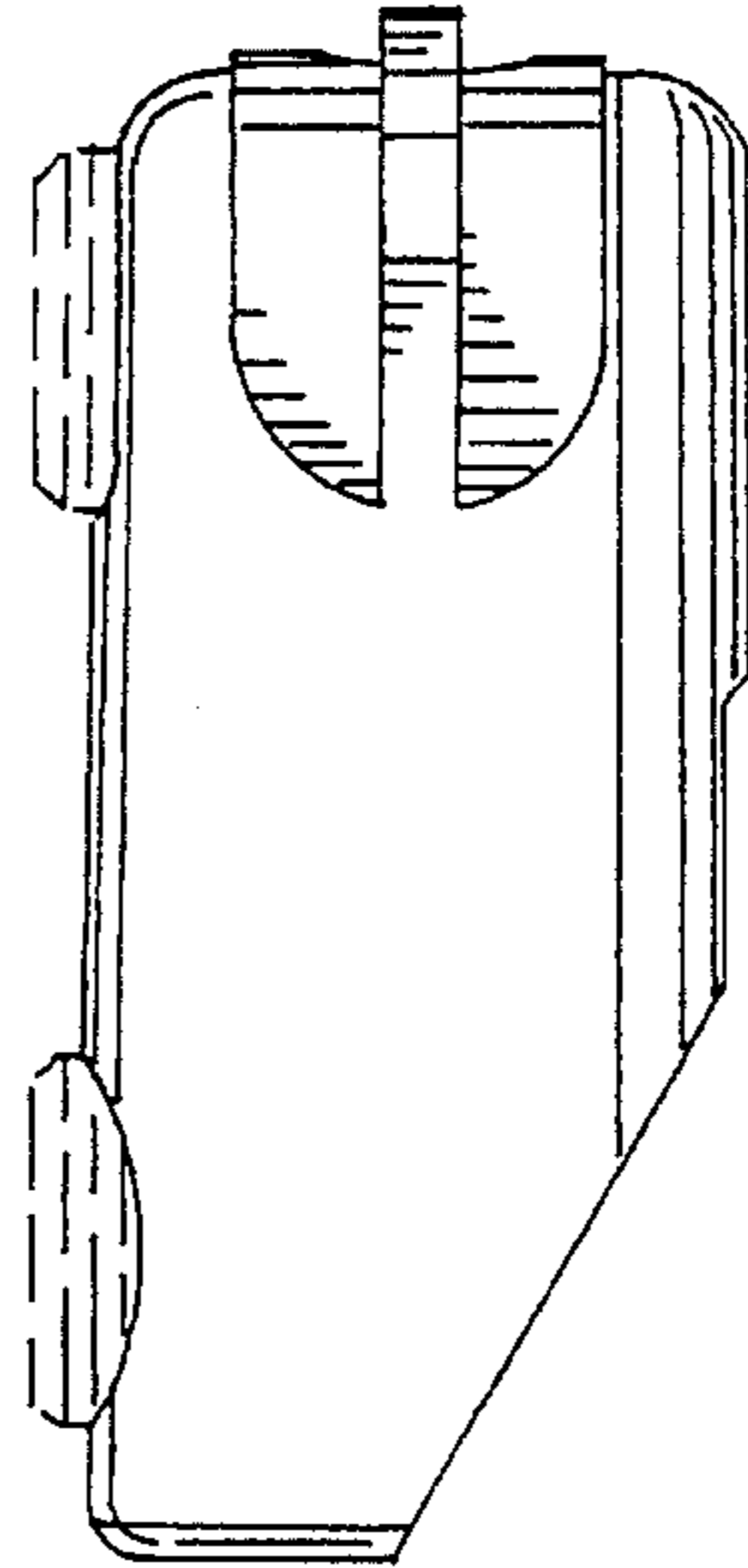


FIG. 7

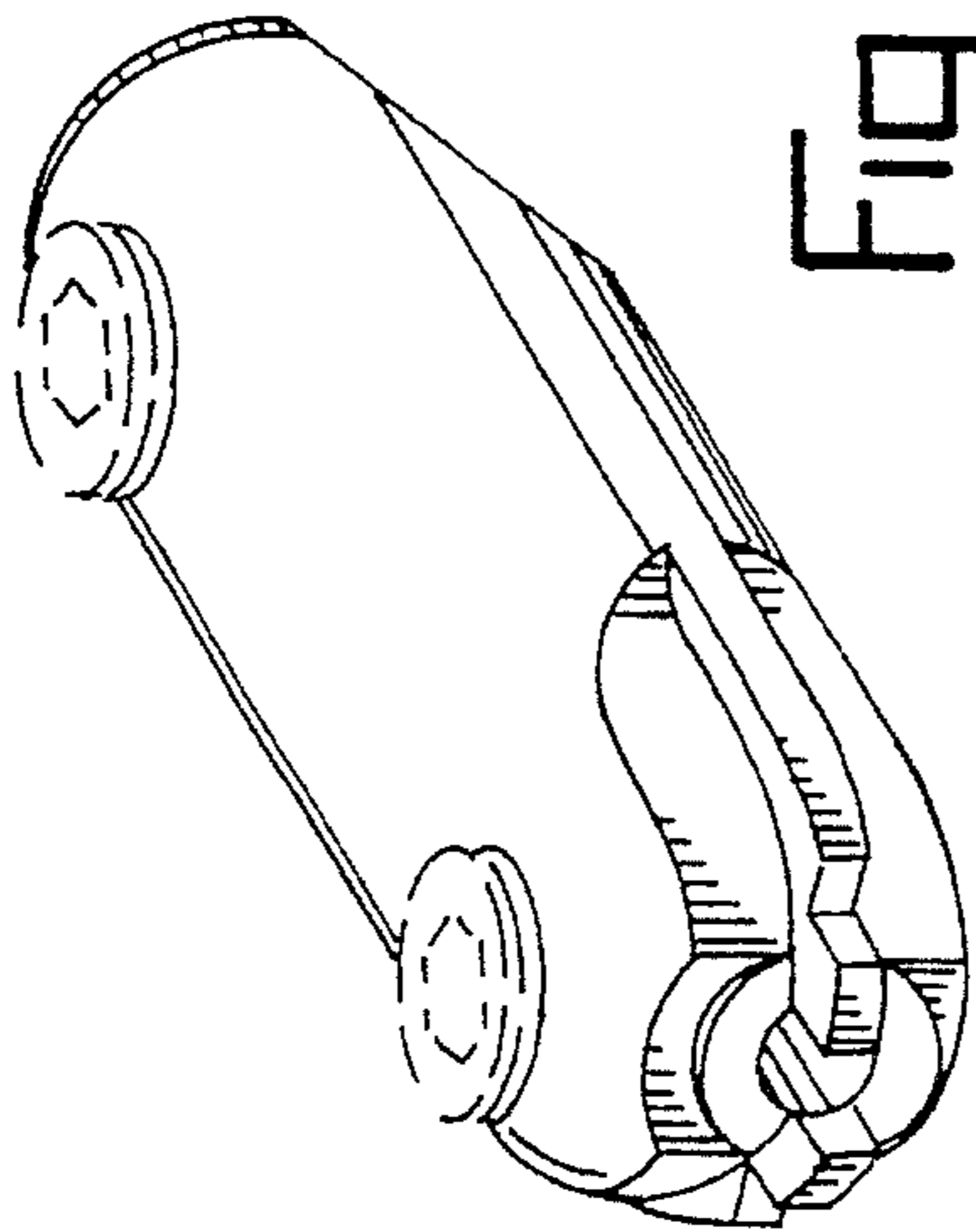


FIG. 1