



US00D367528S

United States Patent [19]

[11] **Patent Number: Des. 367,528**

Marston et al.

[45] **Date of Patent: **Feb. 27, 1996**

[54] **DUAL CHANNEL INFUSION PUMP**

5,100,380 3/1992 Epstein et al. 128/DIG. 12 X
5,423,747 6/1995 Amano 604/151 X

[75] Inventors: **Gary L. Marston**, Carlsbad, Calif.;
Kristine D. Casey, Lake Oswego,
Oreg.; **Sigrid Moeslinger**, New York,
N.Y.

Primary Examiner—Lou Zarfaz
Assistant Examiner—I. Simmons
Attorney, Agent, or Firm—Fulwider Patton Lee & Utecht

[73] Assignee: **IVAC Corporation**, San Diego, Calif.

[57] **CLAIM**

[**] Term: **14 Years**

The ornamental design for a dual channel infusion pump, as shown and described.

[21] Appl. No.: **28,304**

DESCRIPTION

[22] Filed: **Sep. 12, 1994**

FIG. 1 is a perspective view showing the front, top and right side of a dual channel infusion pump of or new design;

[52] U.S. Cl. **D24/111**

FIG. 2 is a front elevational view thereof;

[58] **Field of Search** D24/111, 108;

FIG. 3 is a right side elevational view thereof;

604/152, 151, 153, 154, 131, 128, 250;

FIG. 4 is a rear elevational view thereof;

128/DIG. 12, DIG. 13

FIG. 5 is a left side elevational view thereof;

[56] **References Cited**

FIG. 6 is a top plan view thereof; and,

U.S. PATENT DOCUMENTS

FIG. 7 is a bottom plan view thereof.

D. 305,060 12/1989 Bisha et al. D24/111

D. 352,778 11/1994 Irvin et al. D24/111

1 Claim, 7 Drawing Sheets

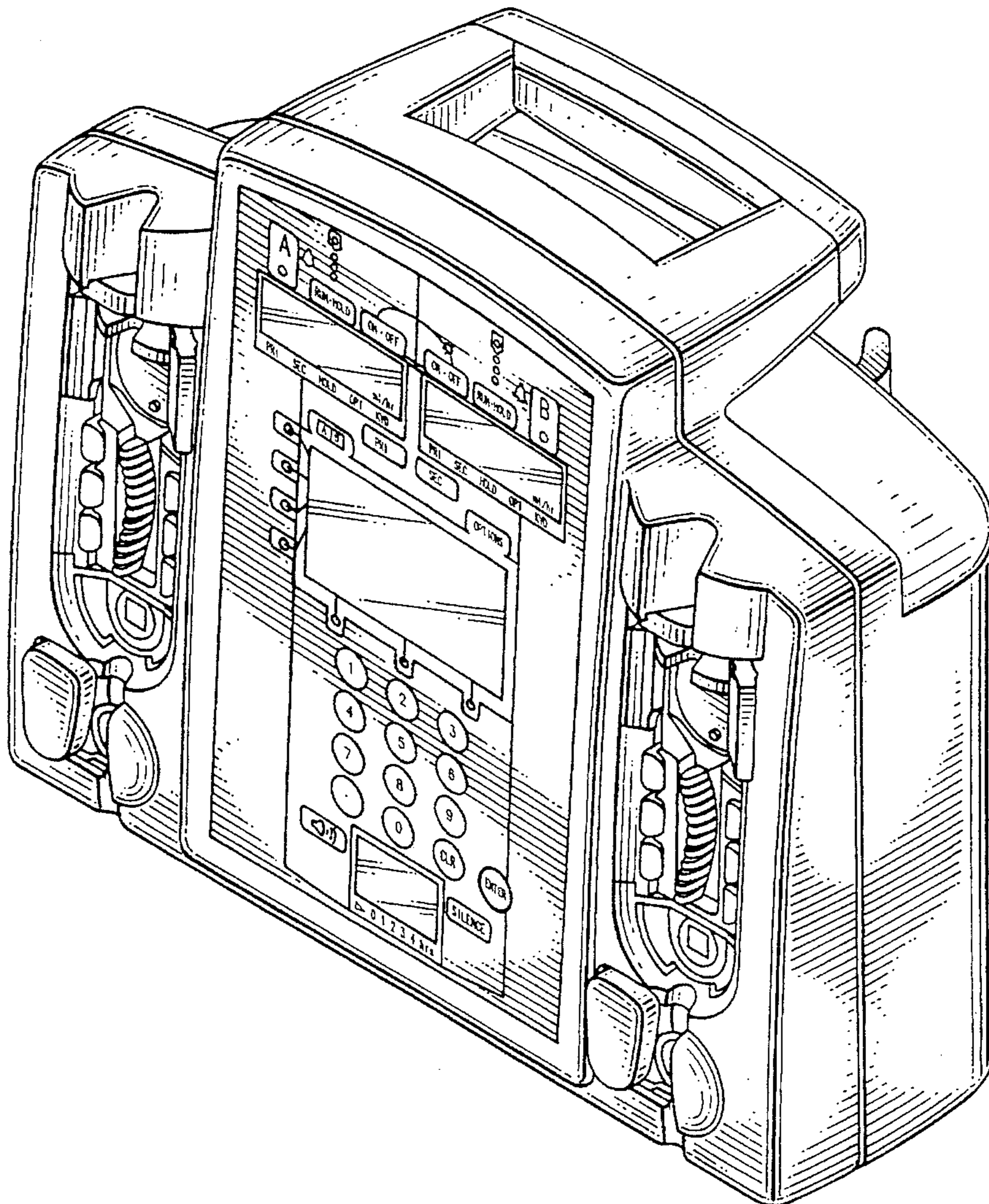
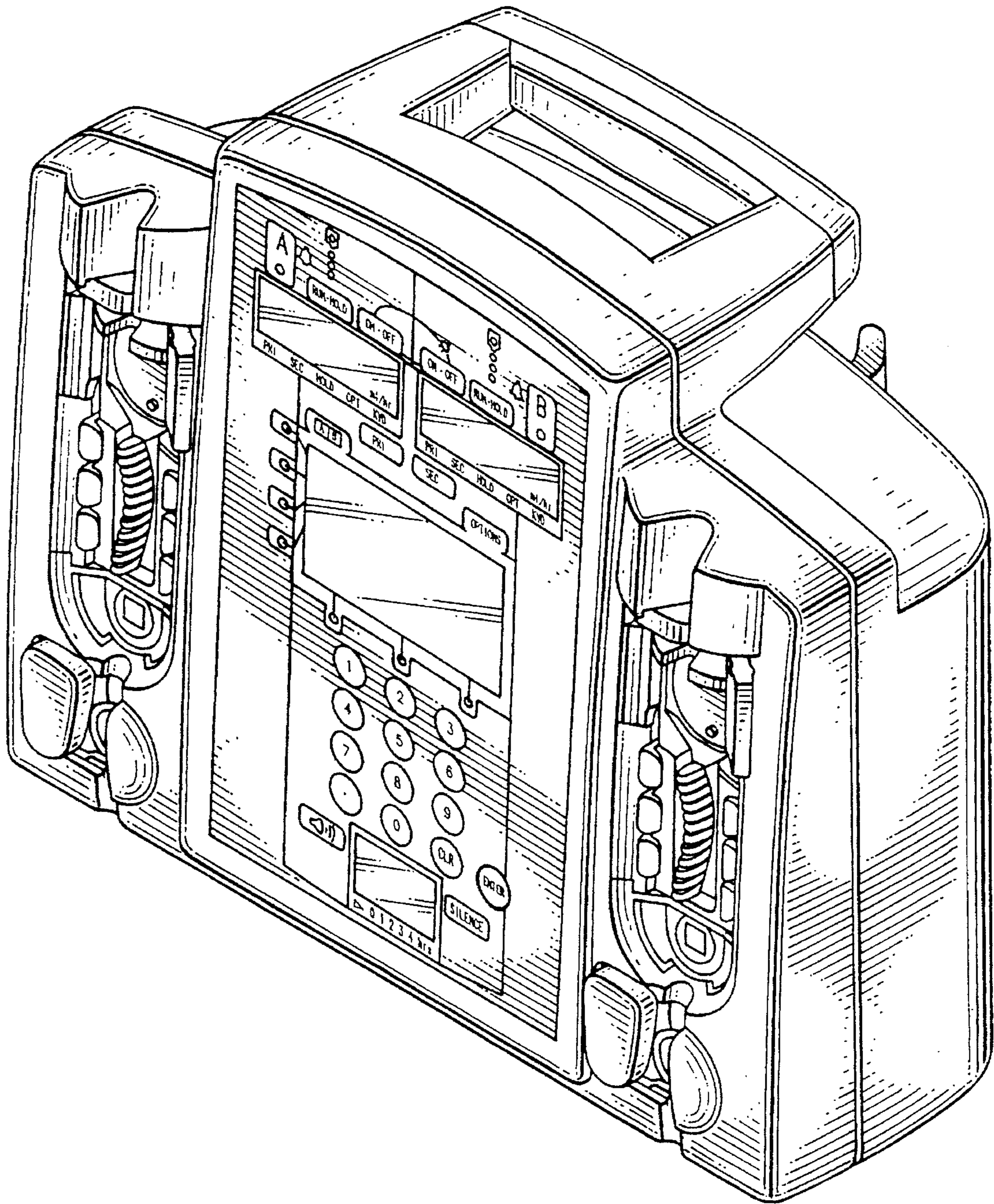


FIG. 1



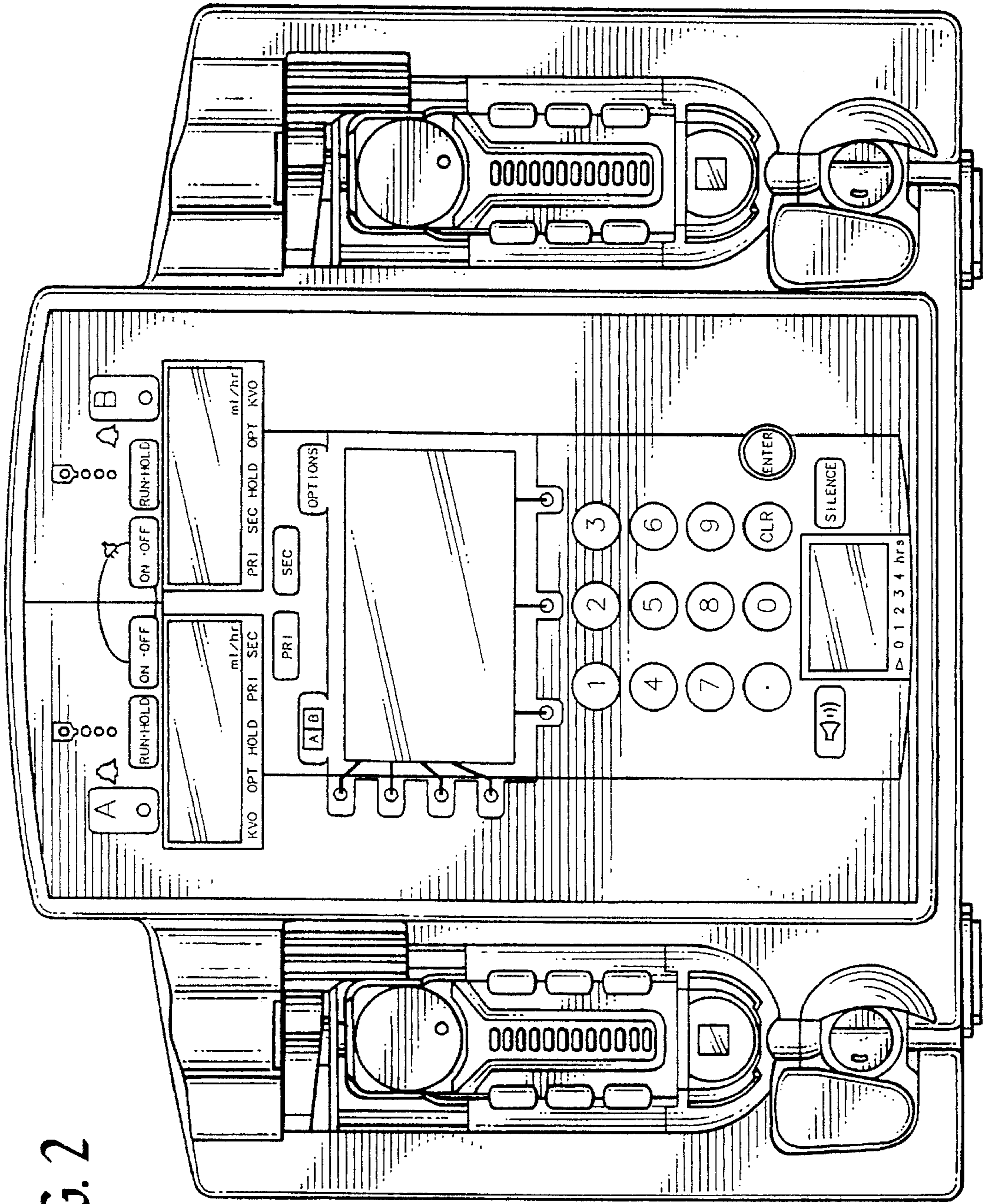
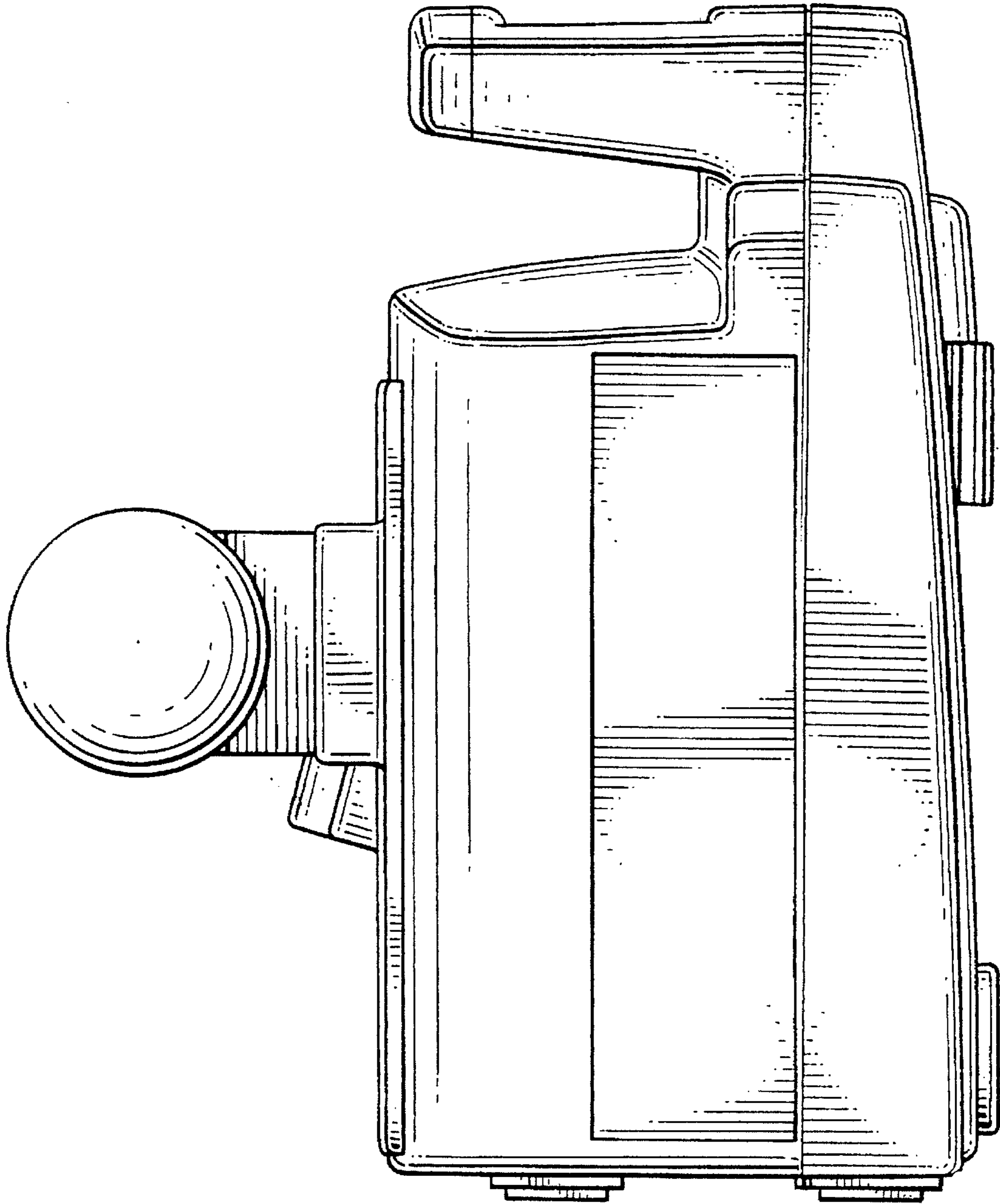


FIG. 2

FIG. 3



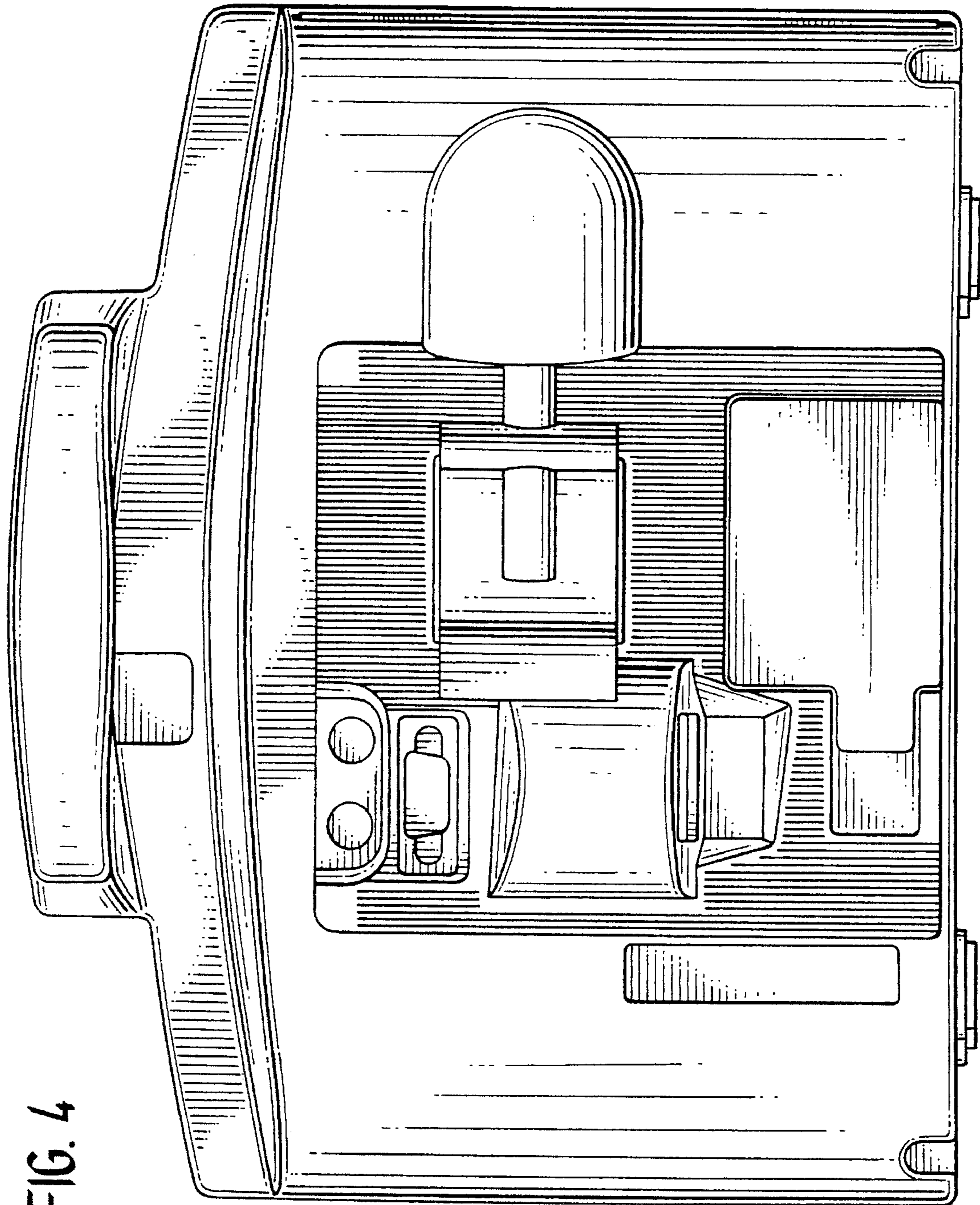


FIG. 4

FIG. 5

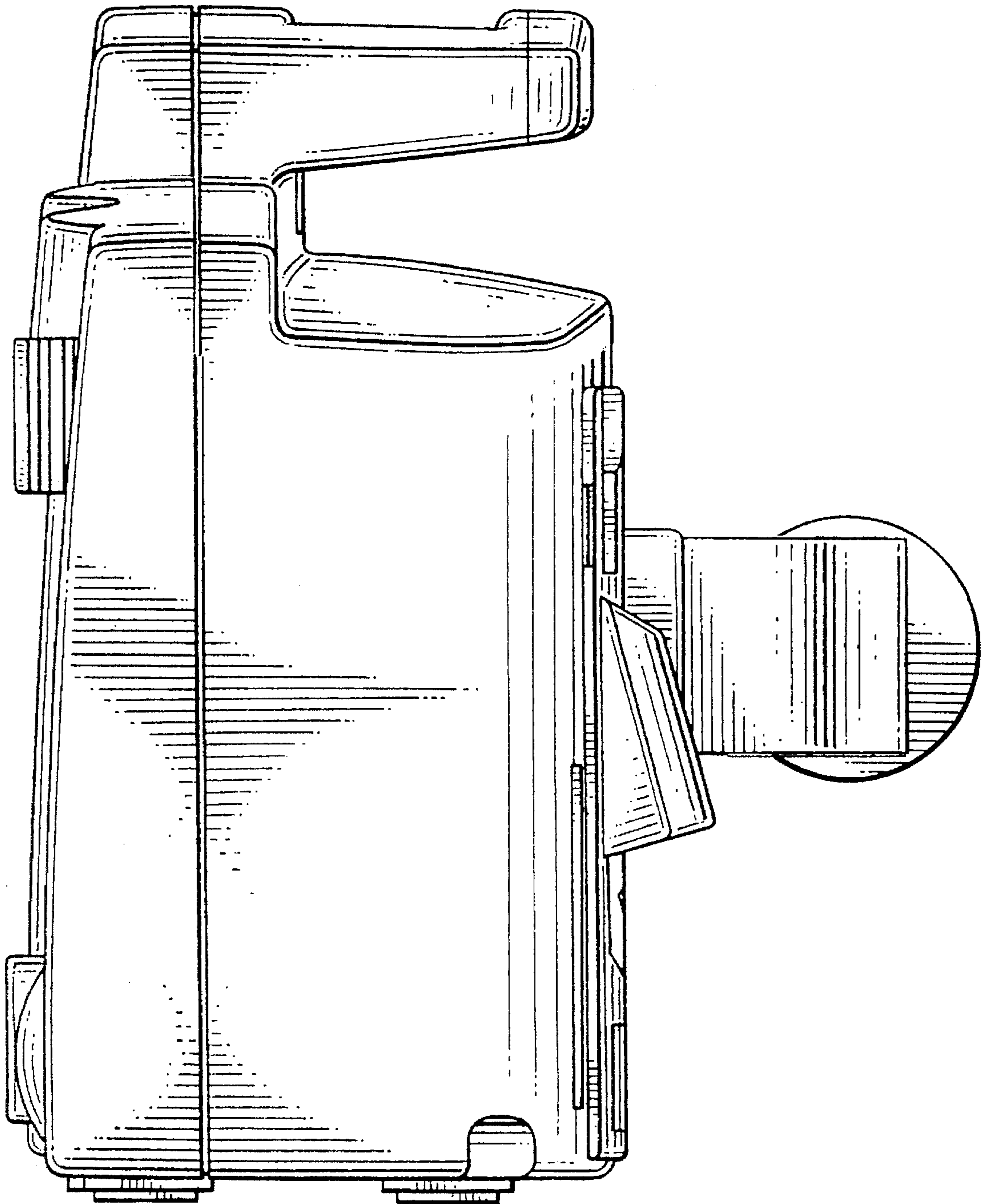
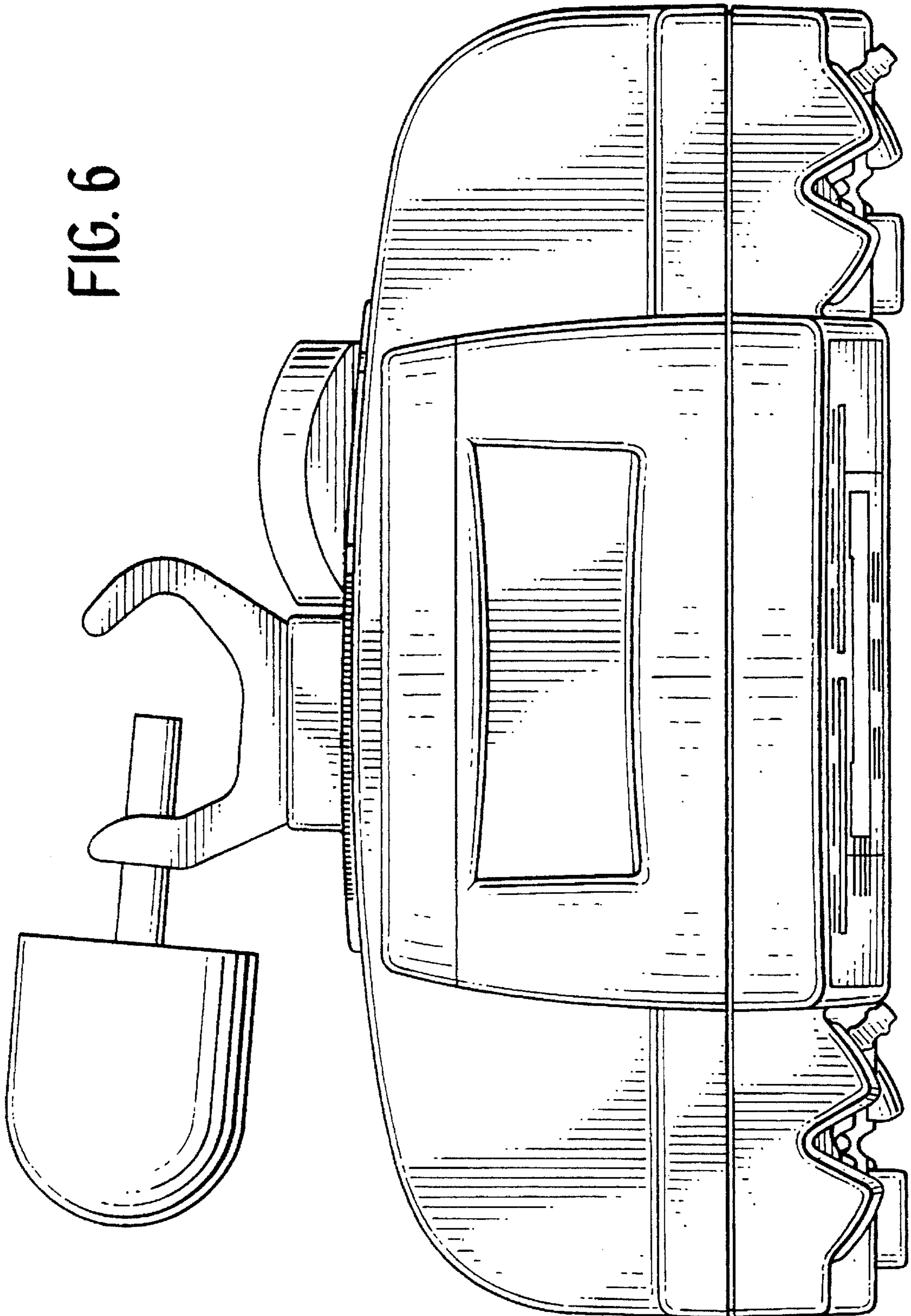


FIG. 6



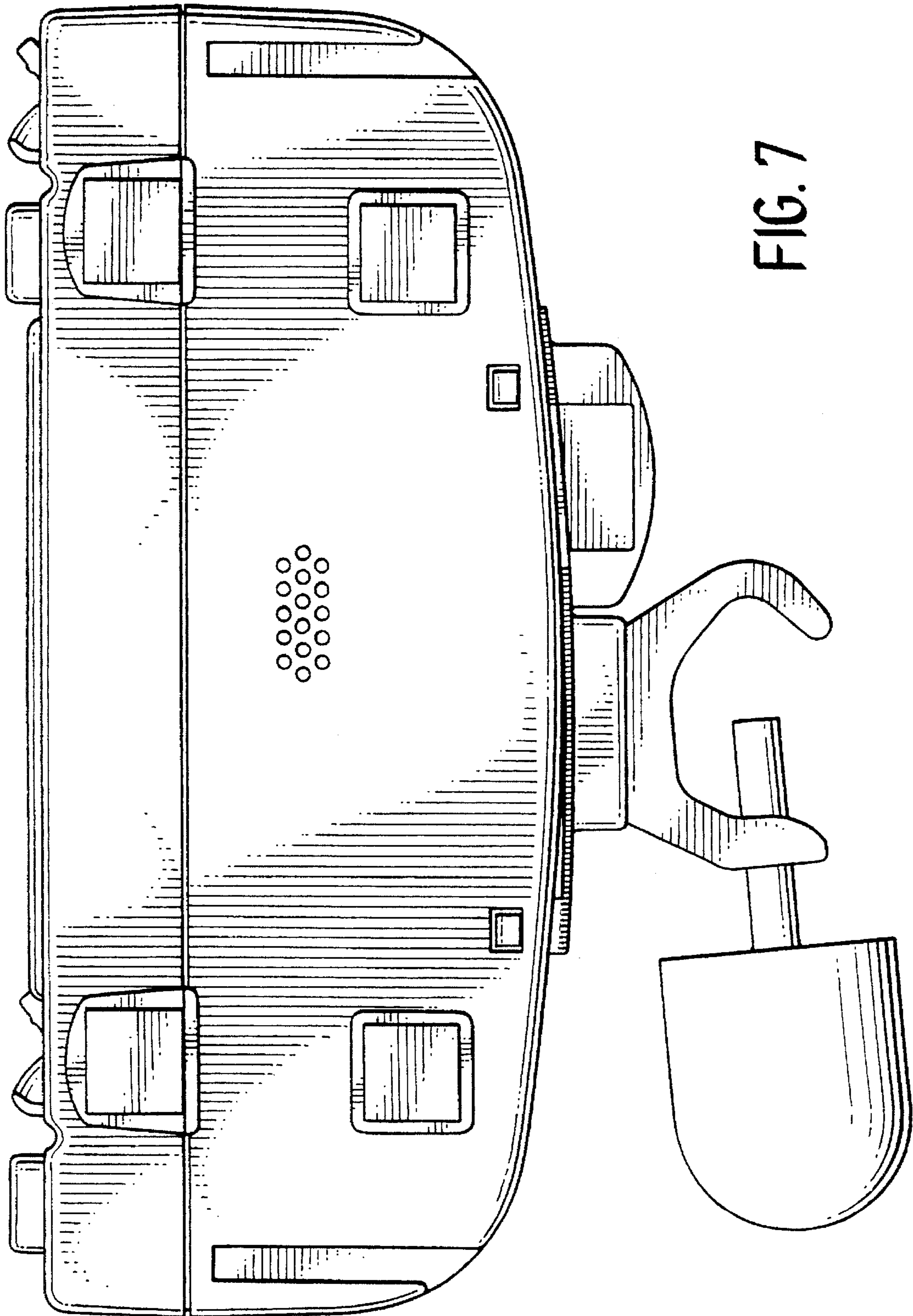


FIG. 7