



US00D367525S

United States Patent [19] Gruebel

[11] Patent Number: **Des. 367,525**

[45] Date of Patent: ****Feb. 27, 1996**

[54] **PERSONAL COOLER**

2,945,359 7/1960 MacLeod 62/262

[75] Inventor: **Jurgen Gruebel**, Heidenrod, Germany

Primary Examiner—Lisa P. Lichtenstein
Attorney, Agent, or Firm—Nixon & Vanderhye

[73] Assignee: **Amron Ltd.**, Tel Aviv, Israel

[**] Term: **14 Years**

[57] **CLAIM**

The ornamental design for a personal cooler, as shown and described.

[21] Appl. No.: **34,892**

DESCRIPTION

[22] Filed: **Feb. 7, 1995**

[52] U.S. Cl. **D23/351; D23/333**

FIG. 1 is a top, front and left side perspective view of a personal cooler according to my design;

[58] Field of Search D23/351, 353,
D23/354, 333, 370; 454/201, 202; 62/262

FIG. 2 is a top, rear and left side view thereof; and,

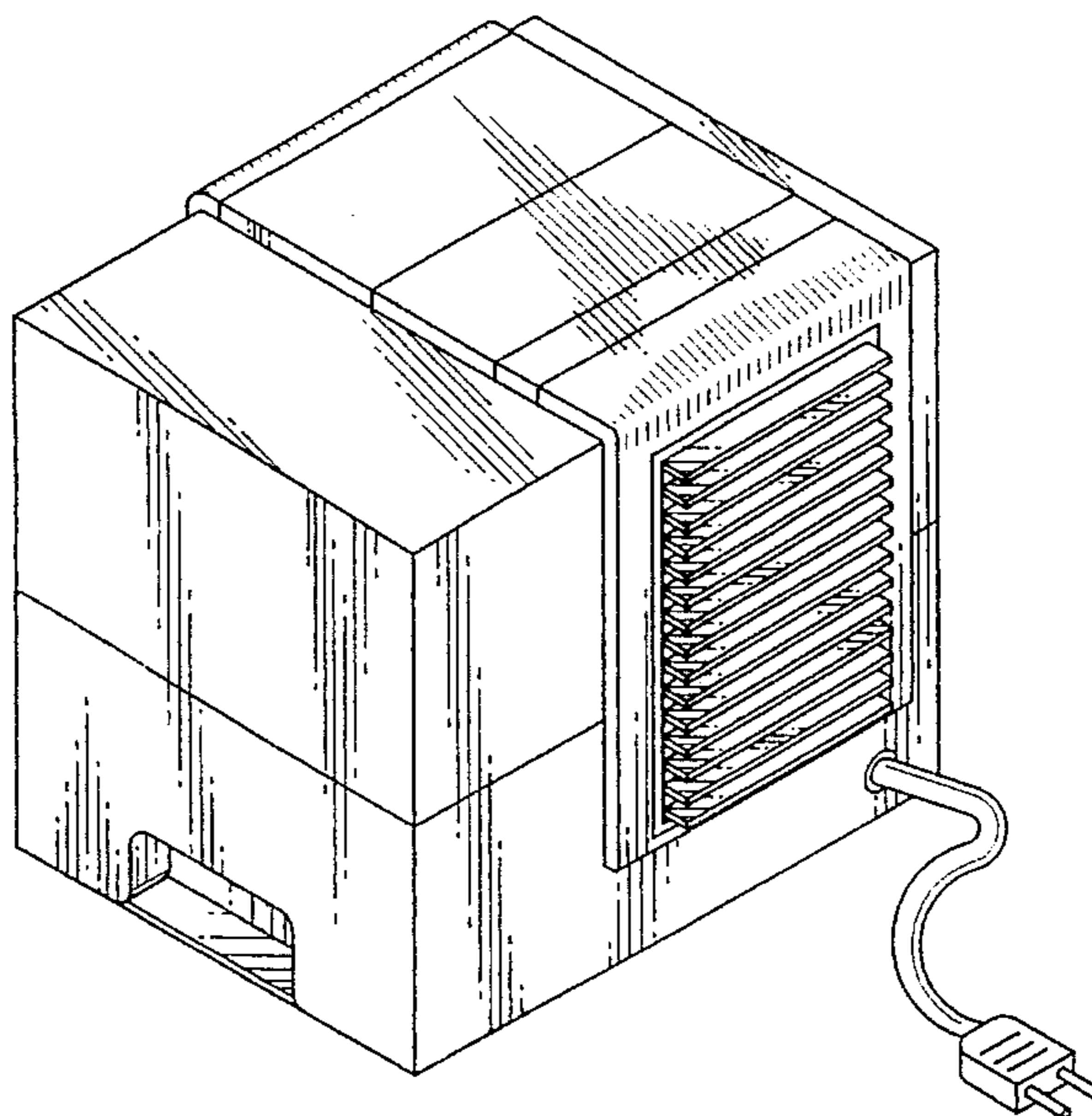
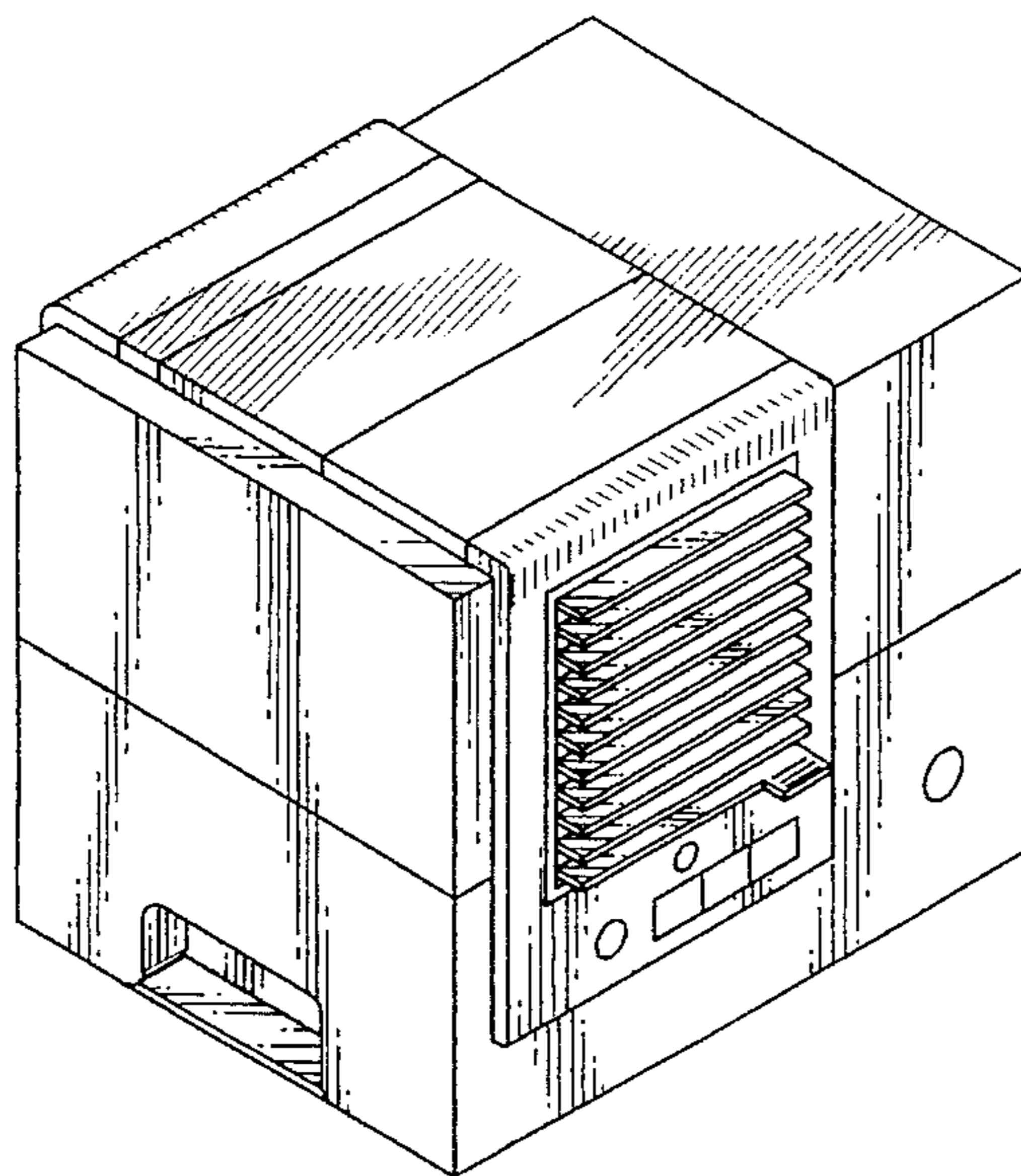
FIG. 3 is a top, rear and right side view thereof, the bottom of the personal cooler forming no part of the present design.

[56] **References Cited**

U.S. PATENT DOCUMENTS

D. 294,517 3/1988 Williamson D23/411

1 Claim, 2 Drawing Sheets



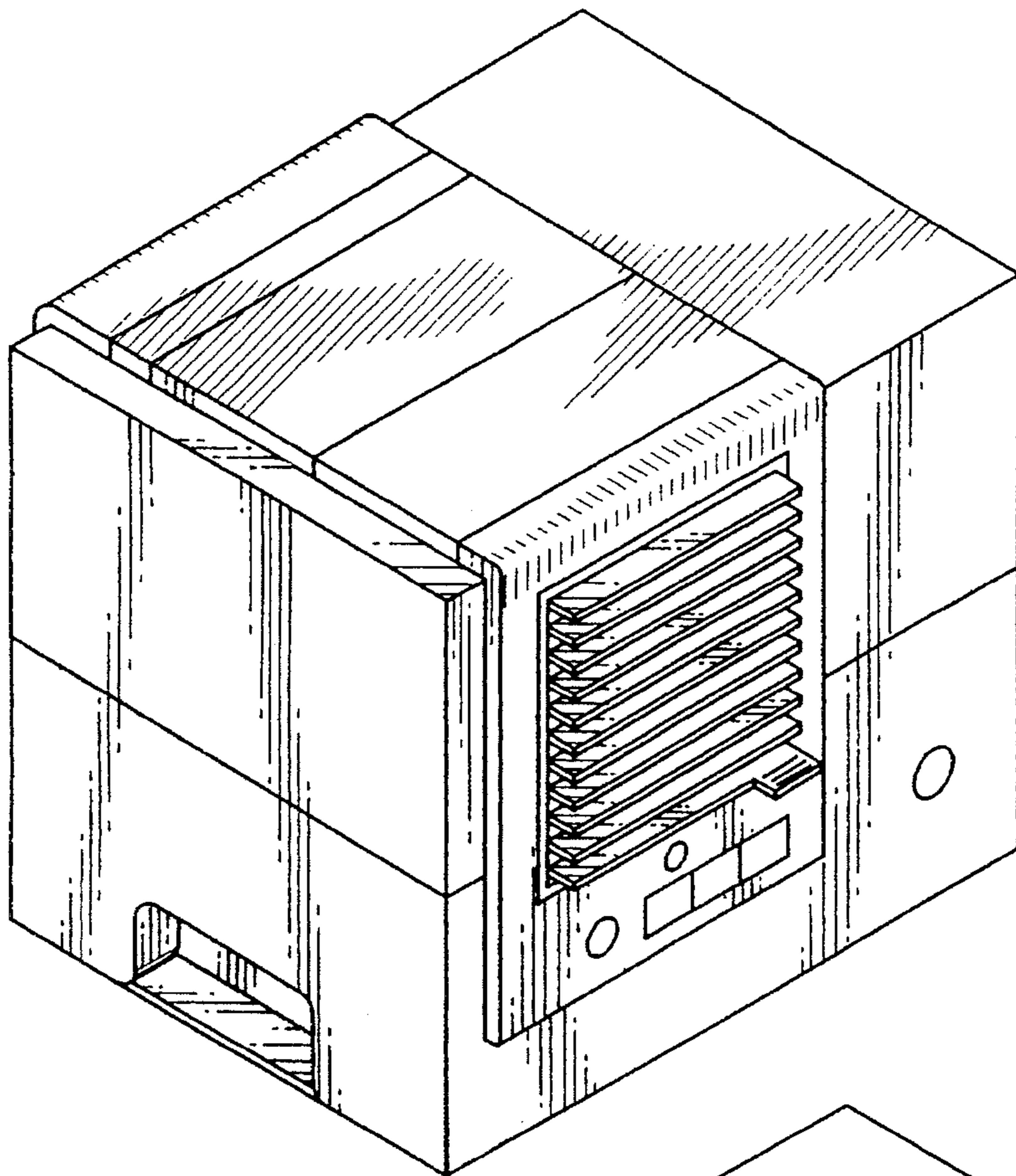


FIG. 1

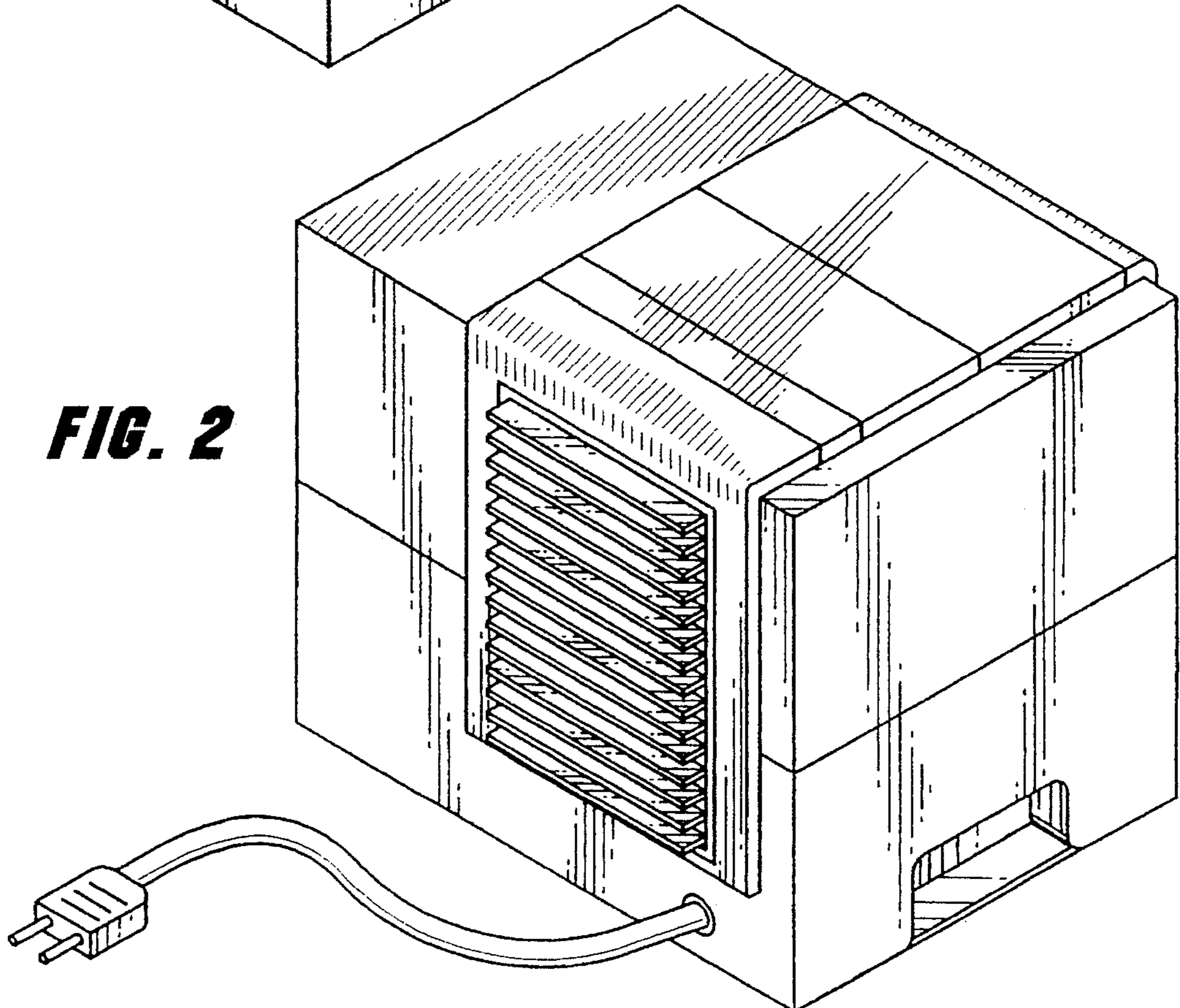


FIG. 2

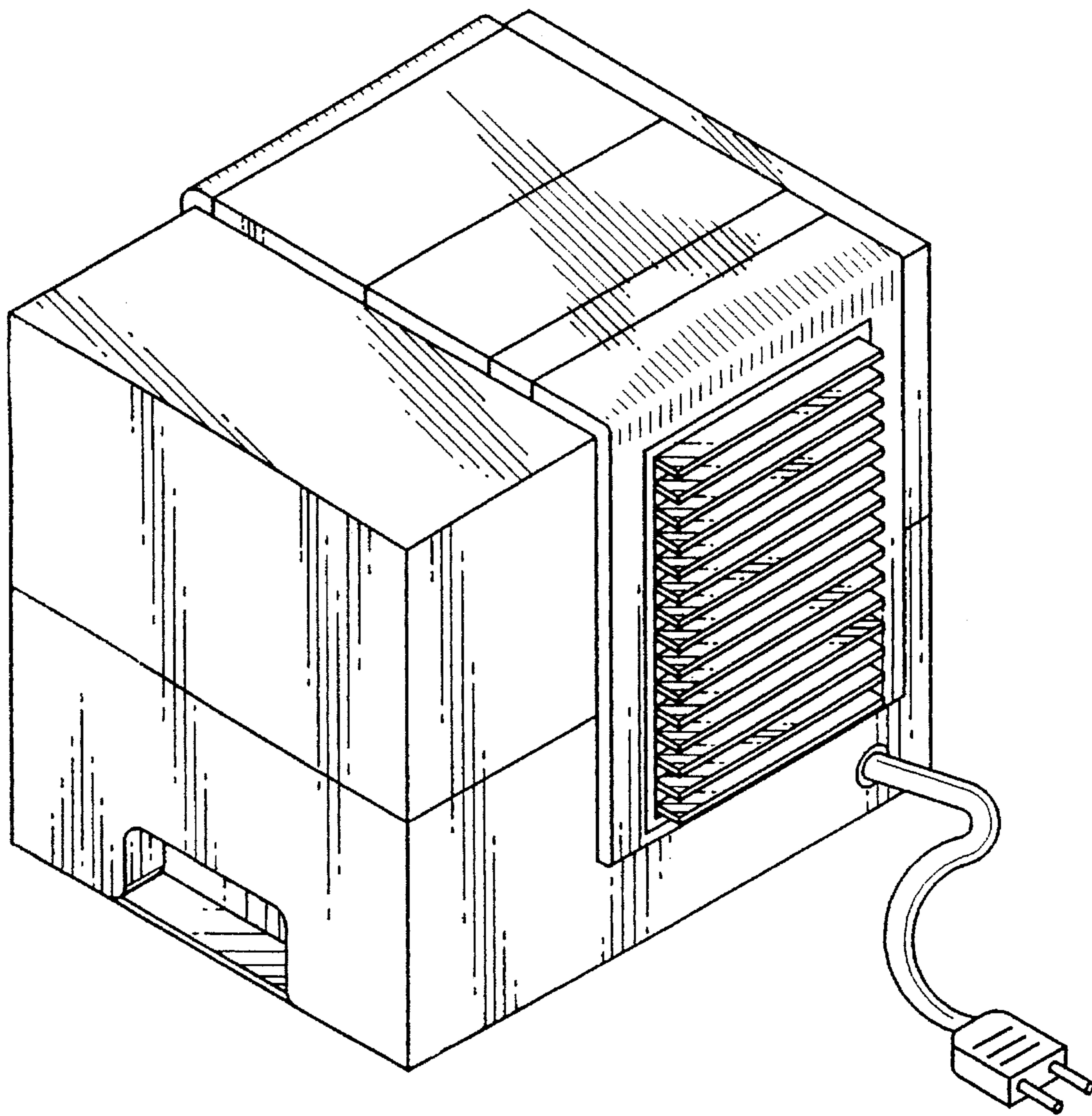


FIG. 3