



US00D367522S

United States Patent [19]

[11] Patent Number: **Des. 367,522**

Debs

[45] Date of Patent: ****Feb. 27, 1996**

[54] **SHOWER PAN**

Assistant Examiner—Eric Watterson

[76] Inventor: **Pablo Debs**, 12735 SW. 72nd Ter.,
Miami, Fla. 33183

[57] **CLAIM**

The ornamental design for shower pan, as shown.

[**] Term: **14 Years**

DESCRIPTION

[21] Appl. No.: **14,331**

FIG. 1 is a perspective view of the shower pan;
FIG. 2 is a top view of the shower pan shown in FIG. 1;
FIG. 3 is a perspective view of a second embodiment of the
shower pan;

[22] Filed: **Oct. 19, 1993**

[52] U.S. Cl. **D23/283**

[58] Field of Search D23/275, 283,
D23/305; 4/595, 596, 604, 605, 612, 614;
52/34, 35, 264

FIG. 4 is a top view of the shower pan shown in FIG. 3;
FIG. 5 is a front elevational view of that shown in FIG. 2;
FIG. 6 is an elevational view taken in the direction of the
arrows 6—6 found in FIG. 2;

[56] References Cited

U.S. PATENT DOCUMENTS

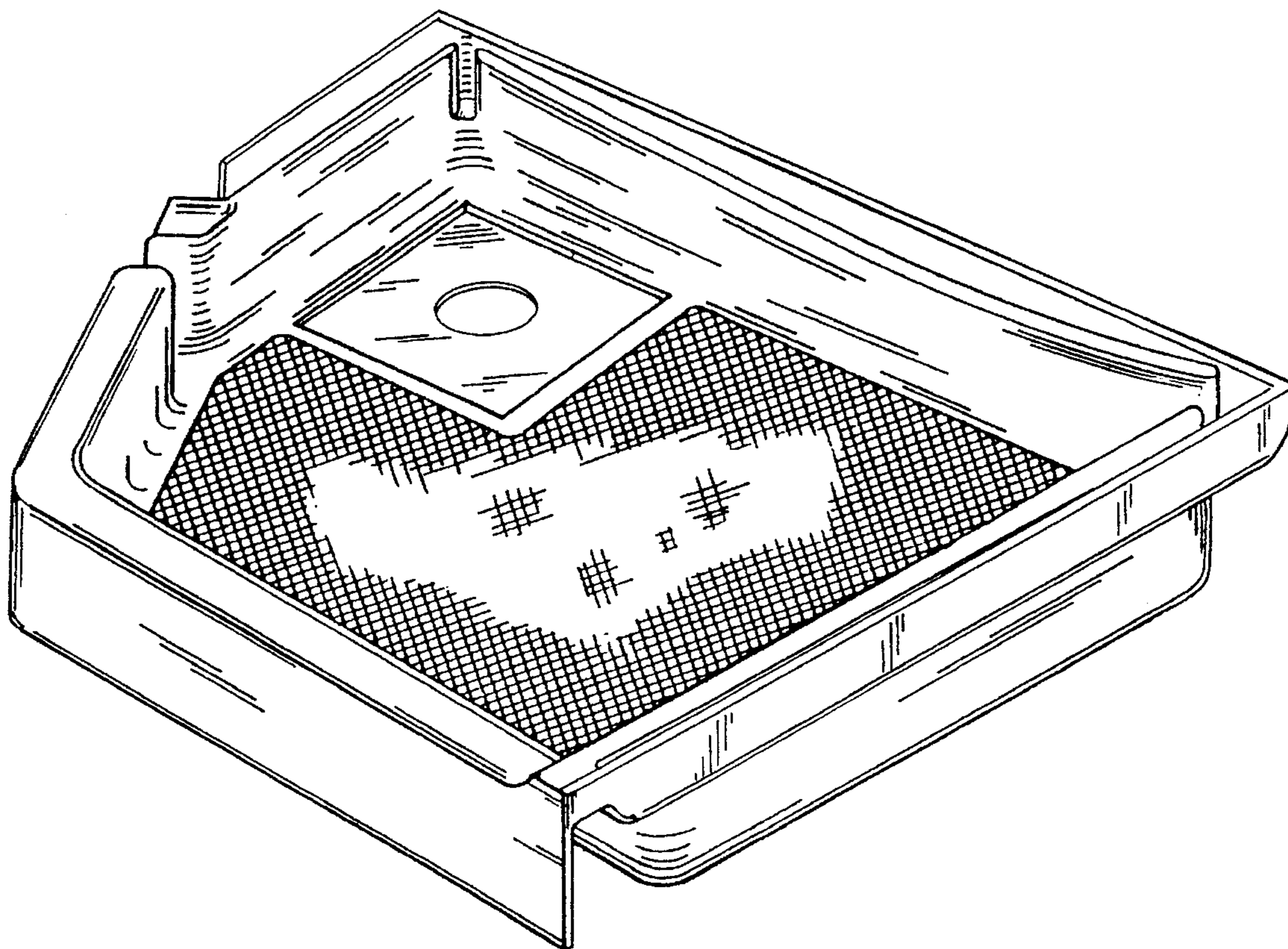
1,781,692	11/1930	Lewis	4/614
3,568,668	6/1969	Neis	4/604 X
4,541,132	9/1985	Long	4/614
5,092,002	3/1992	Powers	4/596

FIG. 7 is an elevational view taken in the direction of the
arrows 7—7 found in FIG. 4;

FIG. 8 is a front elevational view of that shown in FIG. 4;
FIG. 9 is a rear elevational view of that shown in FIG. 2; and,
FIG. 10 is a rear elevational view of that shown in FIG. 4.

Primary Examiner—Louis S. Zarfaz

1 Claim, 4 Drawing Sheets



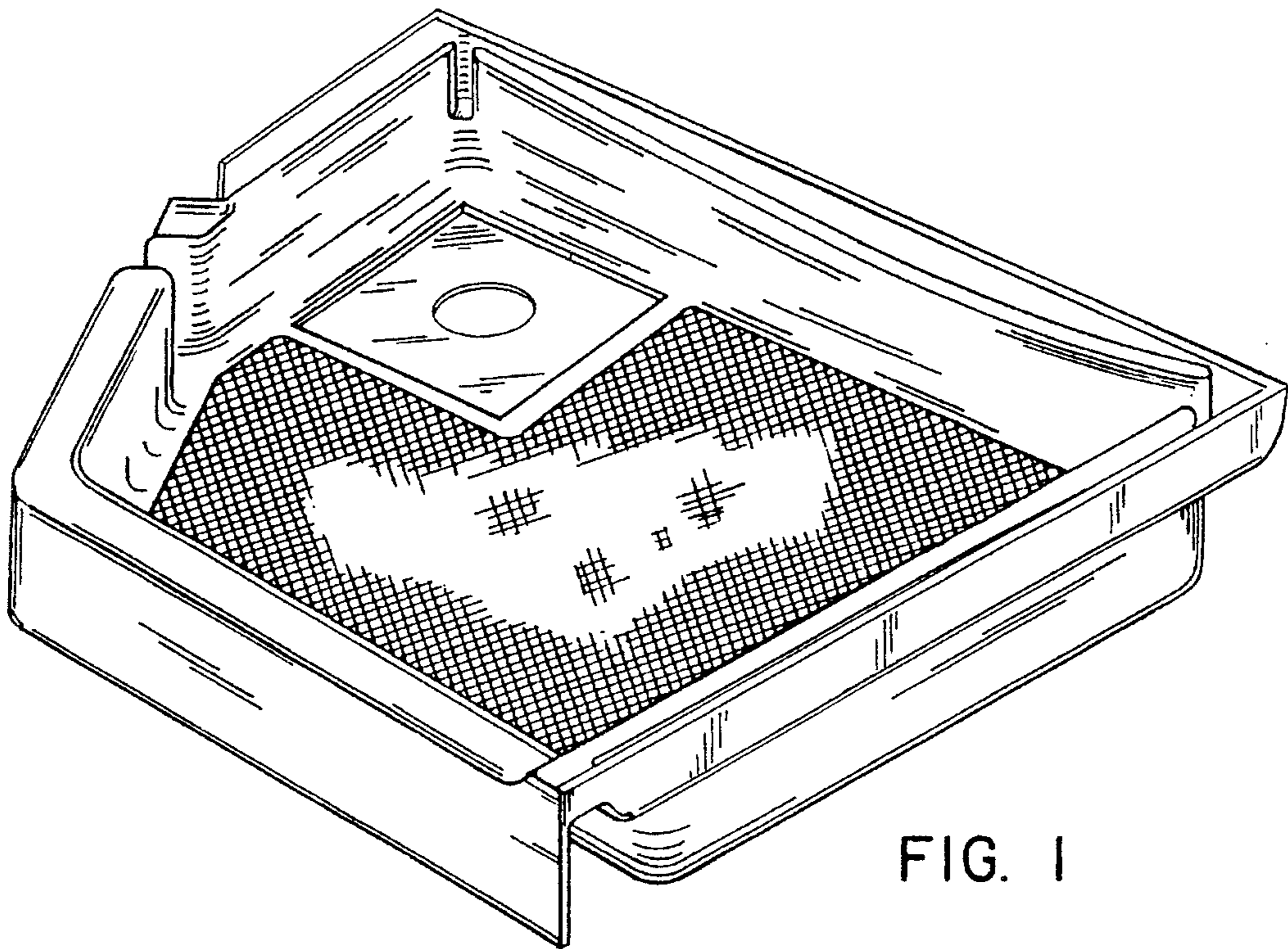


FIG. 1

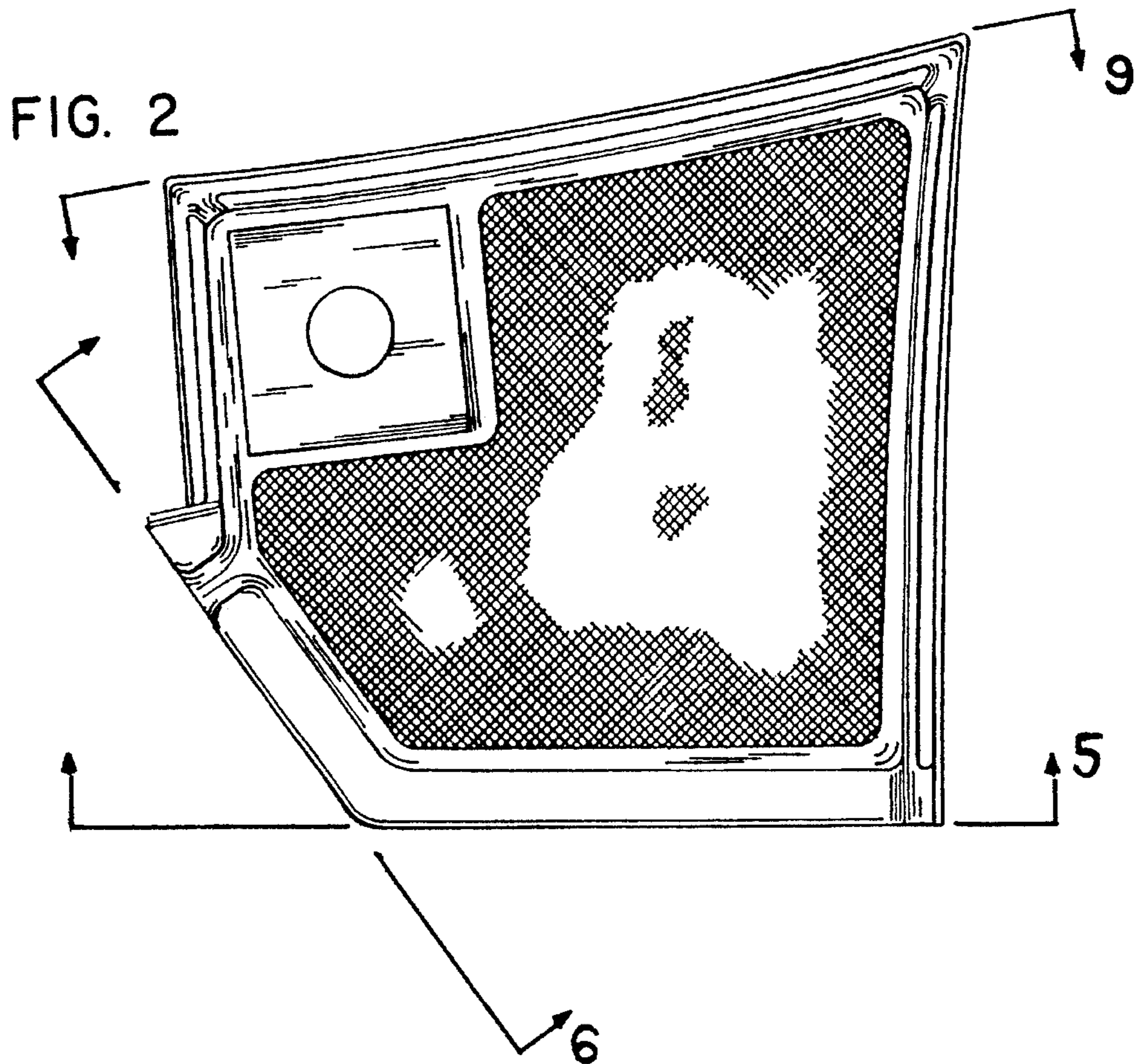


FIG. 2

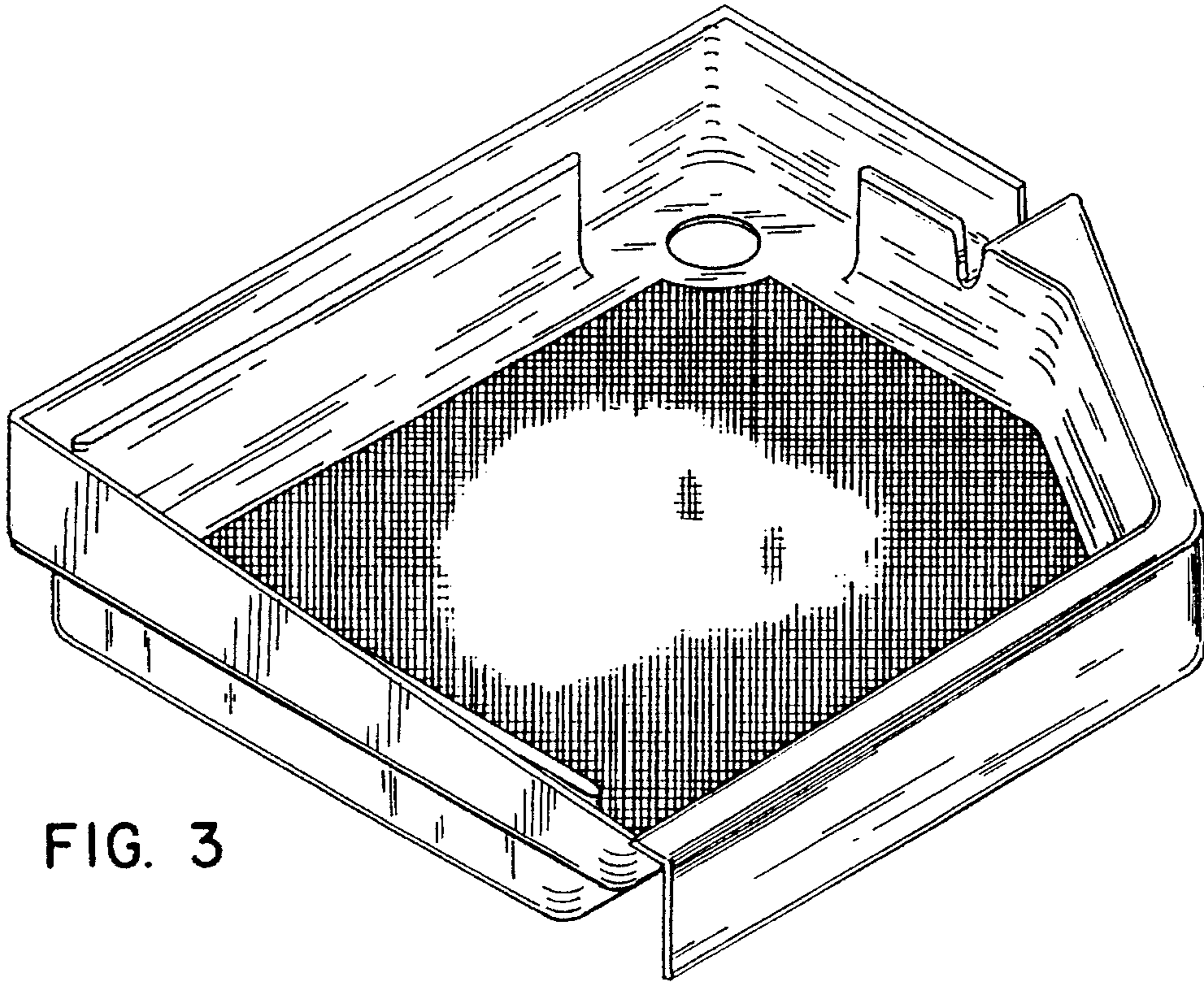


FIG. 3

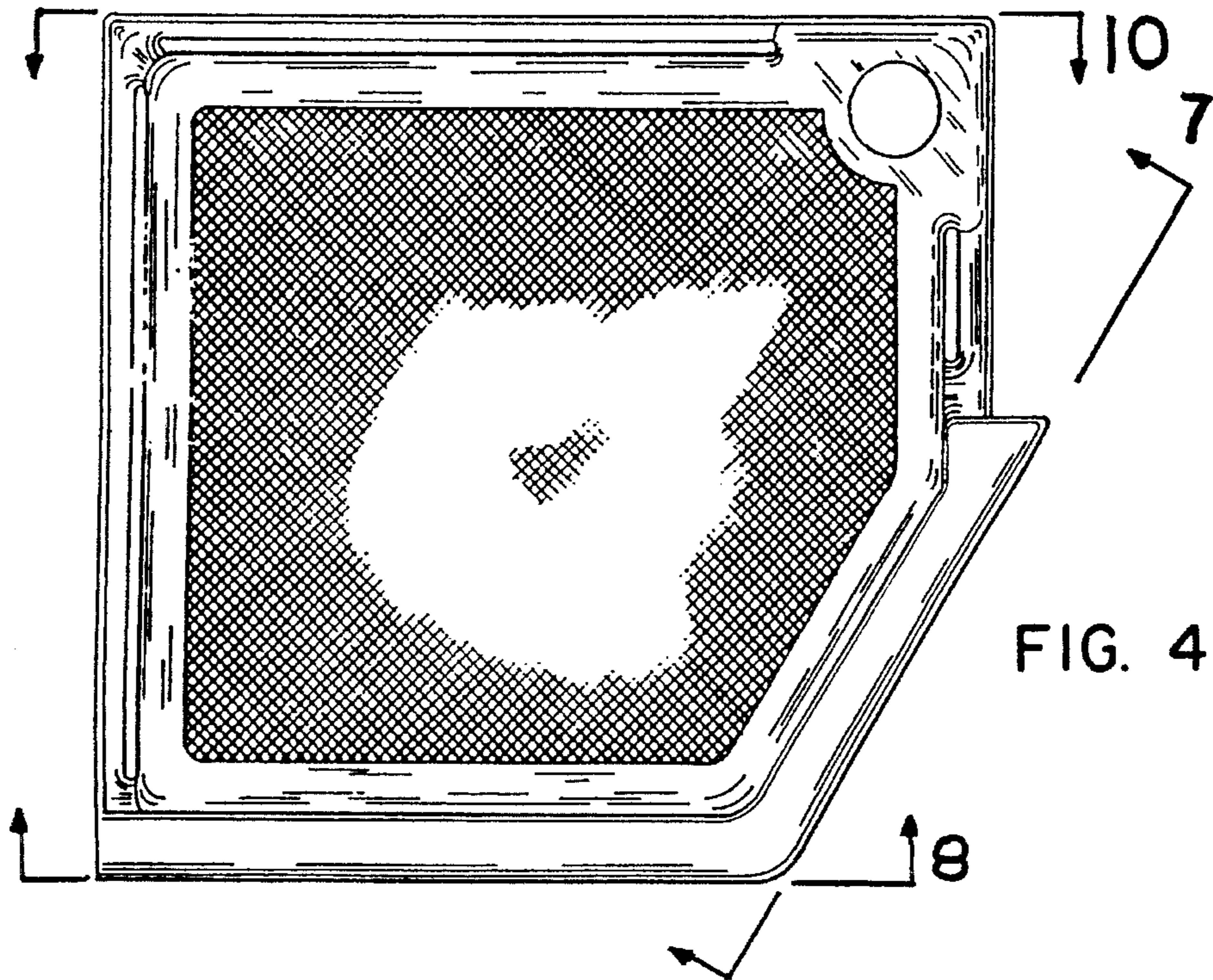


FIG. 4

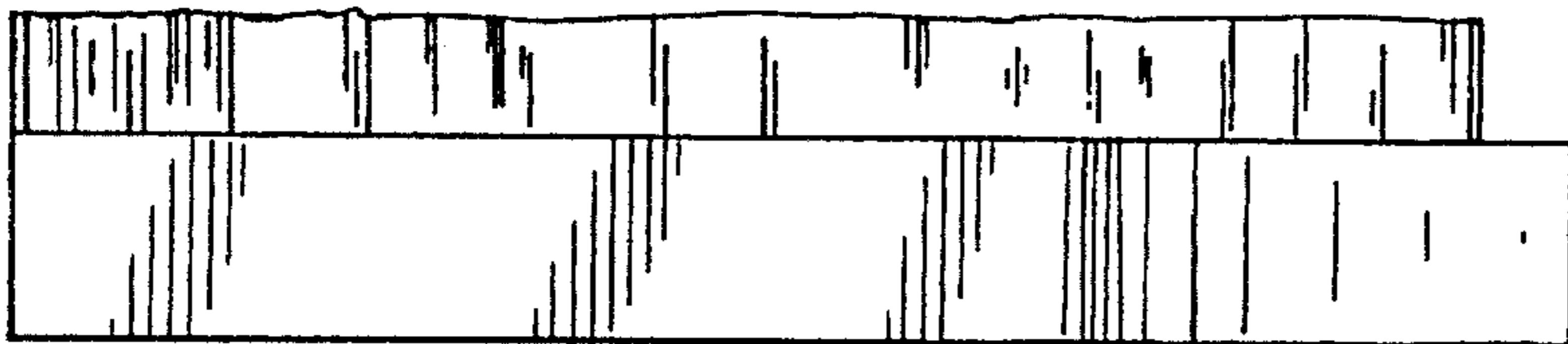


FIG. 8

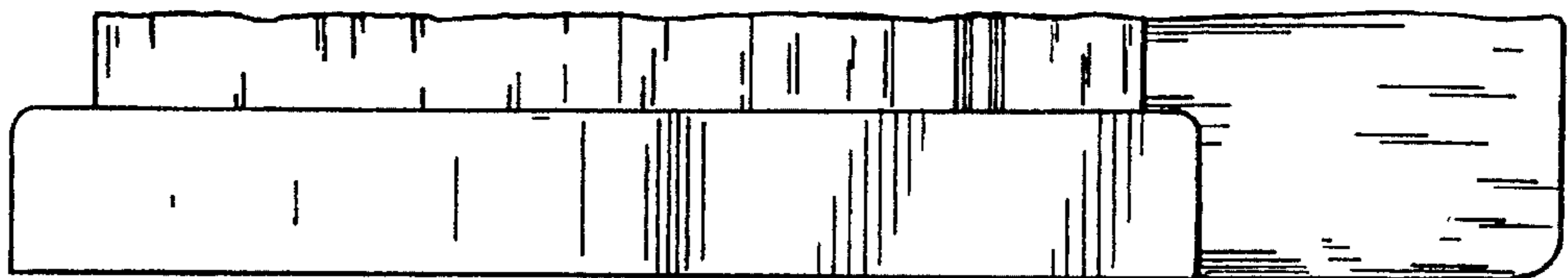


FIG. 7

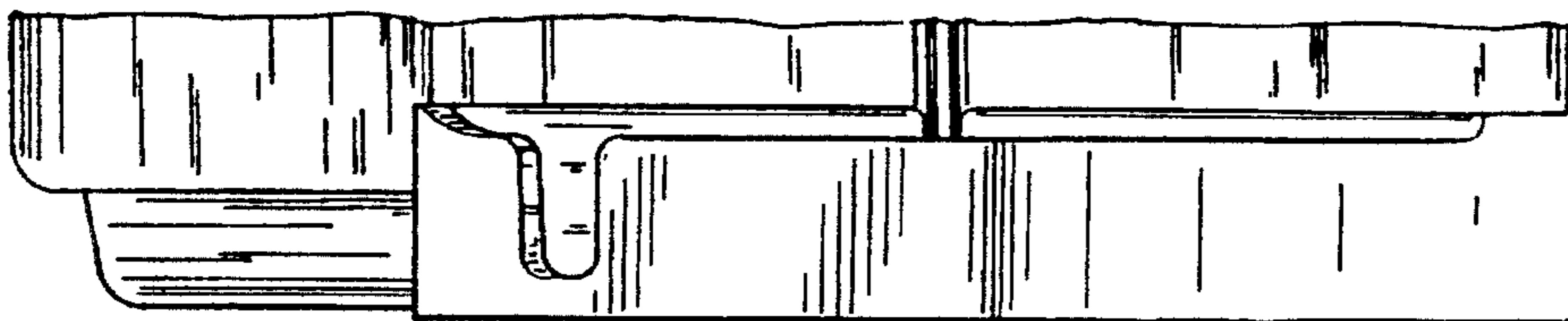


FIG. 6



FIG. 5

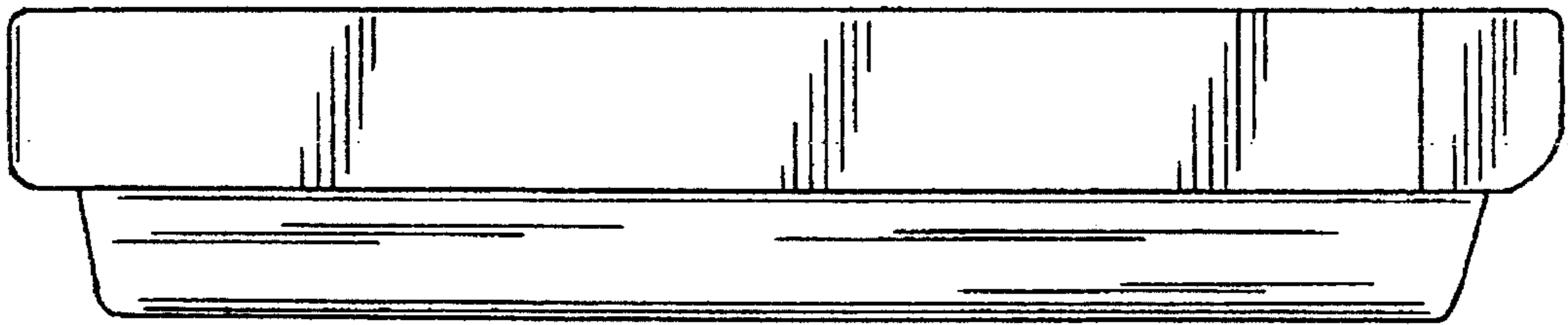


FIG. 9

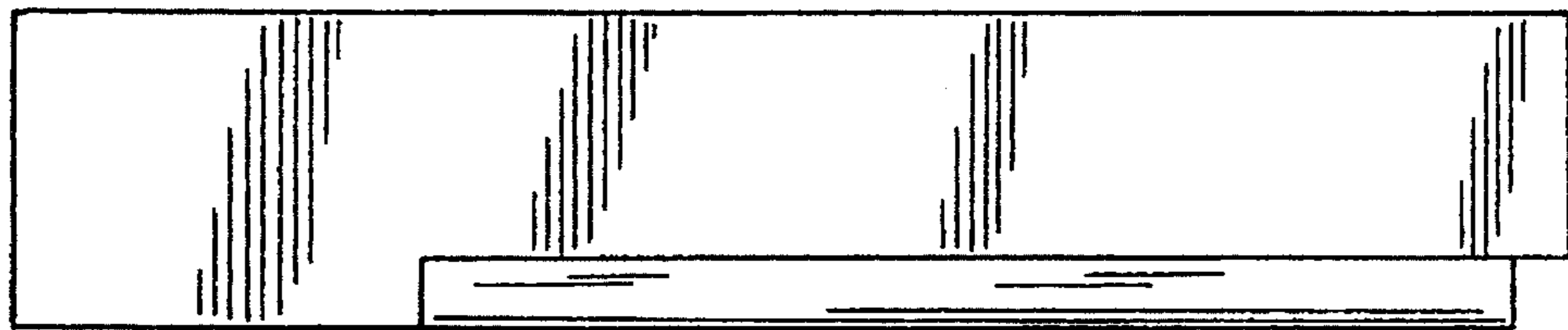


FIG. 10