



US00D367520S

United States Patent [19]

[11] Patent Number: **Des. 367,520**

Jacuzzi et al.

[45] Date of Patent: ****Feb. 27, 1996**

[54] **CORNER WHIRLPOOL BATHTUB**

D. 319,093 8/1991 Dannenberg et al. D23/275
D. 341,192 11/1993 Dworetzky D23/275

[75] Inventors: **Roy A. Jacuzzi**, Orinda; **Ralph D'Innocente**, Benecia; **Darrell A. Hunger**, Berkeley, all of Calif.

Primary Examiner—Stella Reid
Assistant Examiner—E. Watterson
Attorney, Agent, or Firm—Glen R. Grunewald

[73] Assignee: **Jacuzzi Inc.**, Walnut Creek, Calif.

[57] **CLAIM**

[**] Term: **14 Years**

The ornamental design for a corner whirlpool bathtub, as shown.

[21] Appl. No.: **34,088**

DESCRIPTION

[22] Filed: **Jan. 27, 1995**

[52] U.S. Cl. **D23/275**

[58] Field of Search D23/270, 271, D23/275, 277-283; D24/201-205; 4/538, 539, 546, 552, 553, 557, 558, 571, 589, 590, 596, 599, 610, 612

FIG. 1 is a perspective view of a corner whirlpool bathtub embodying this invention;

FIG. 2 is a top plan view of the corner whirlpool bathtub of FIG. 1;

FIG. 3 is a front elevation view of the corner whirlpool bathtub of FIG. 1;

FIG. 4 is a right-side elevation view of FIG. 3.

FIG. 5 is a left side elevation view of FIG. 3;

FIG. 6 is a rear elevation view of FIG. 3; and,

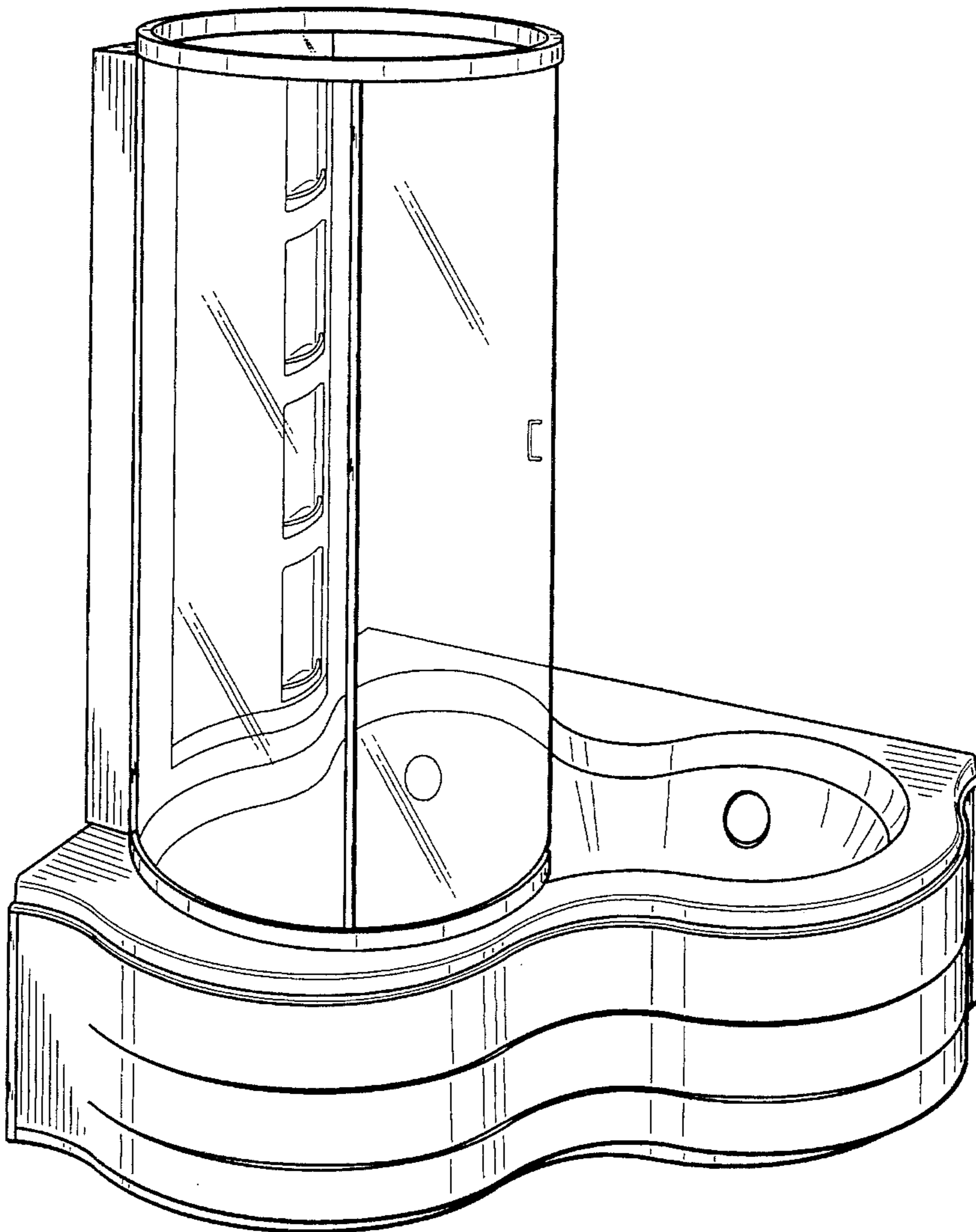
FIG. 7 is a bottom plan view of FIG. 3.

[56] **References Cited**

U.S. PATENT DOCUMENTS

D. 247,444 3/1978 Bonsack D23/275
D. 250,961 1/1979 Bonsack D23/275

1 Claim, 7 Drawing Sheets



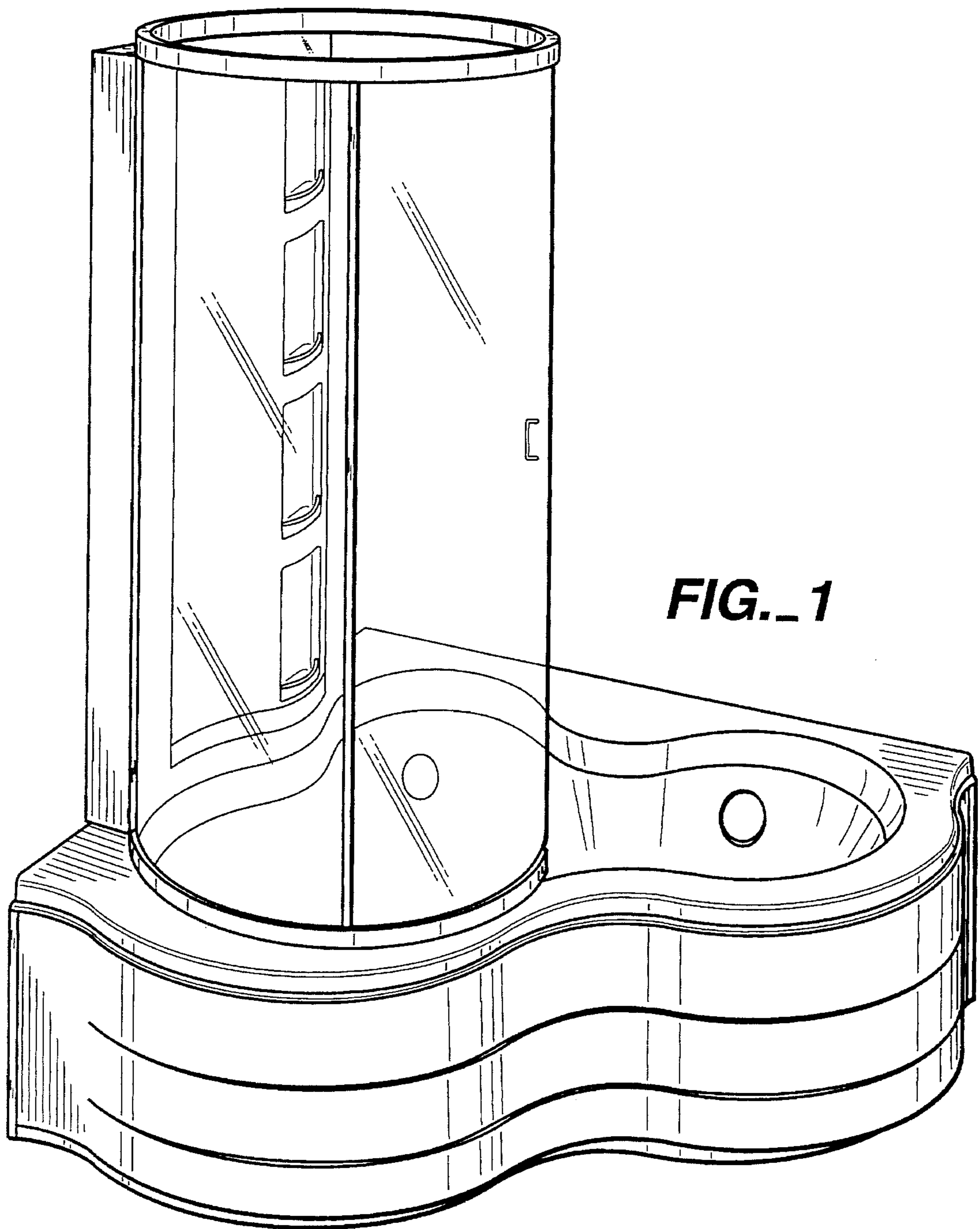


FIG. 1

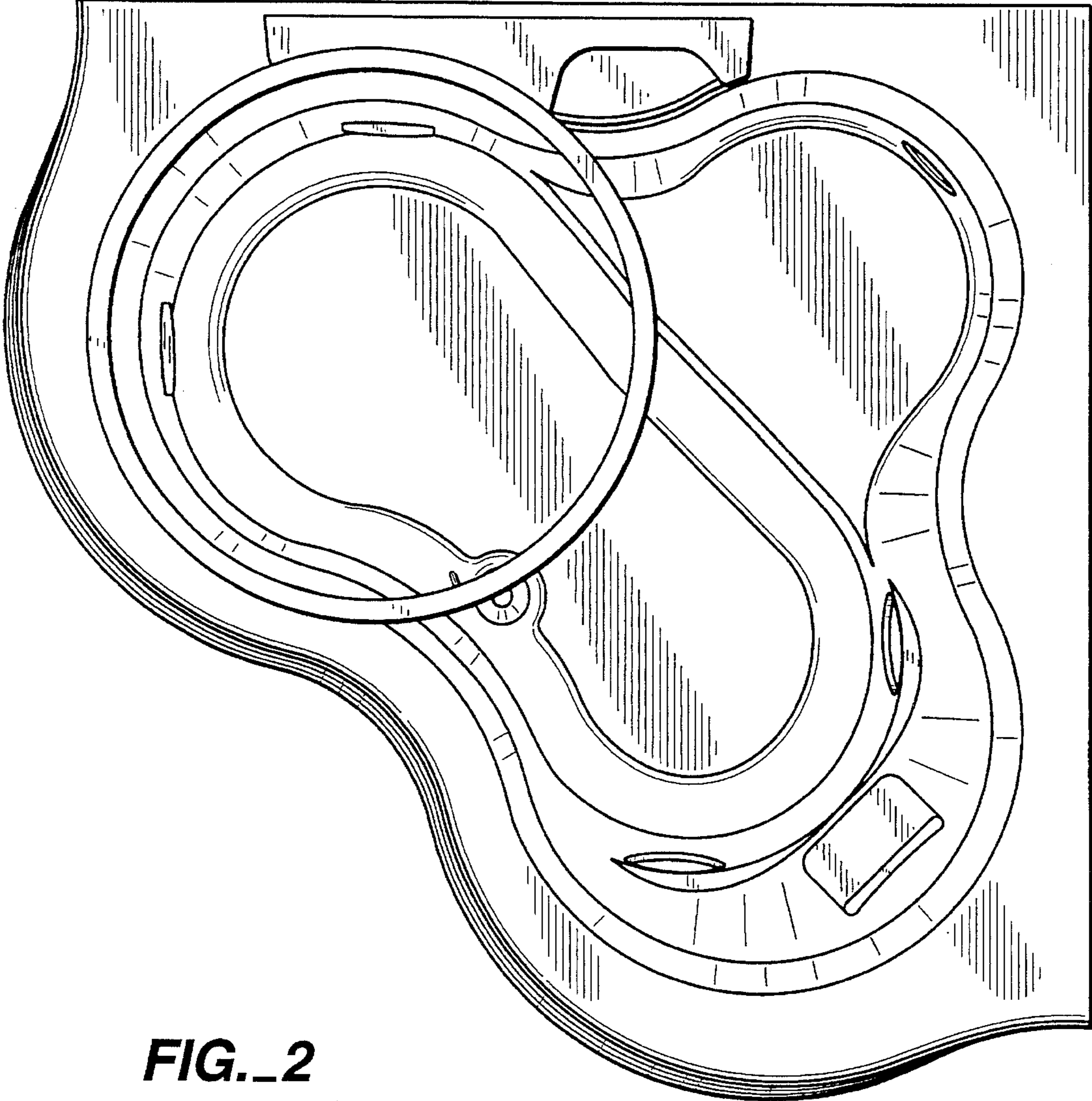


FIG. 2

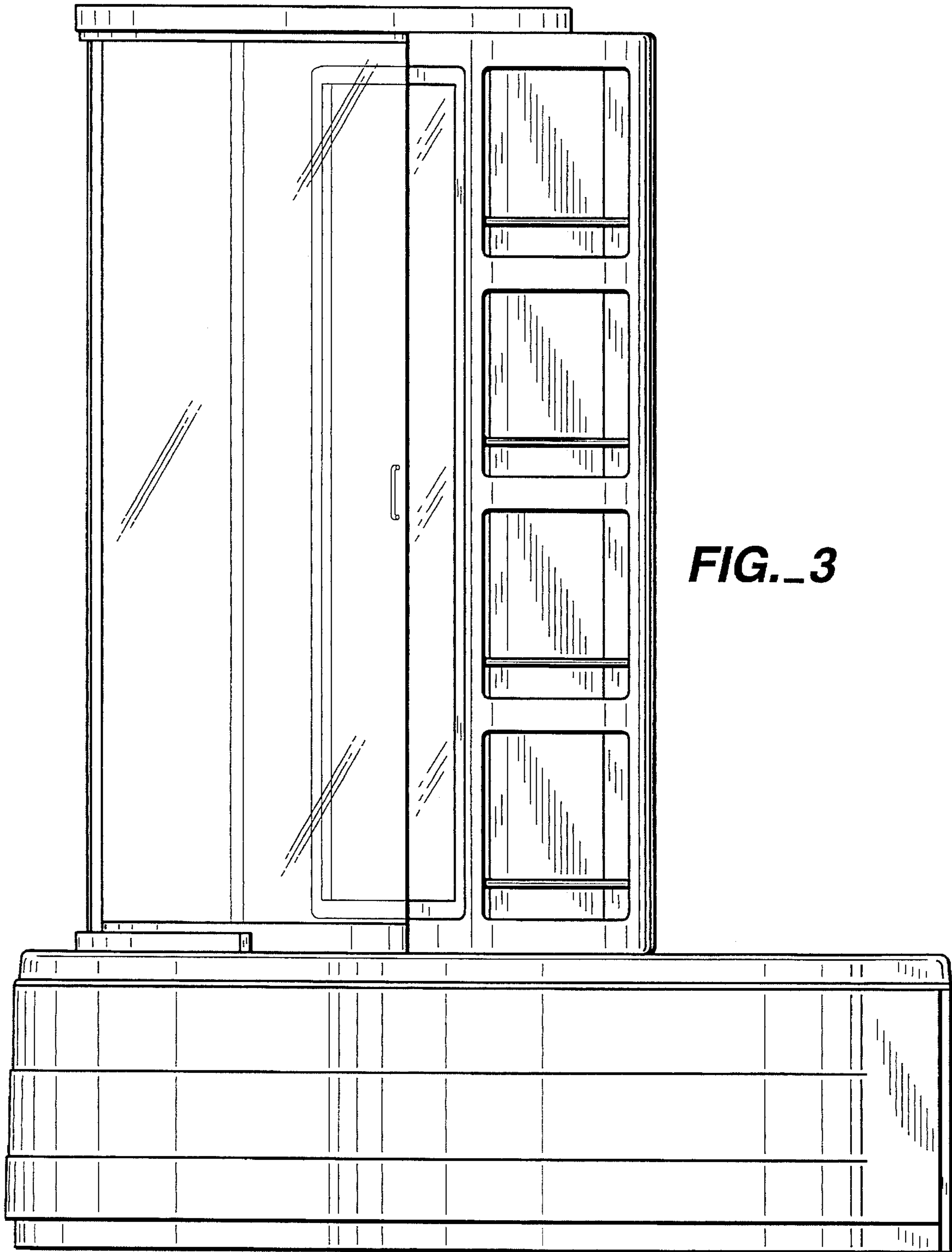
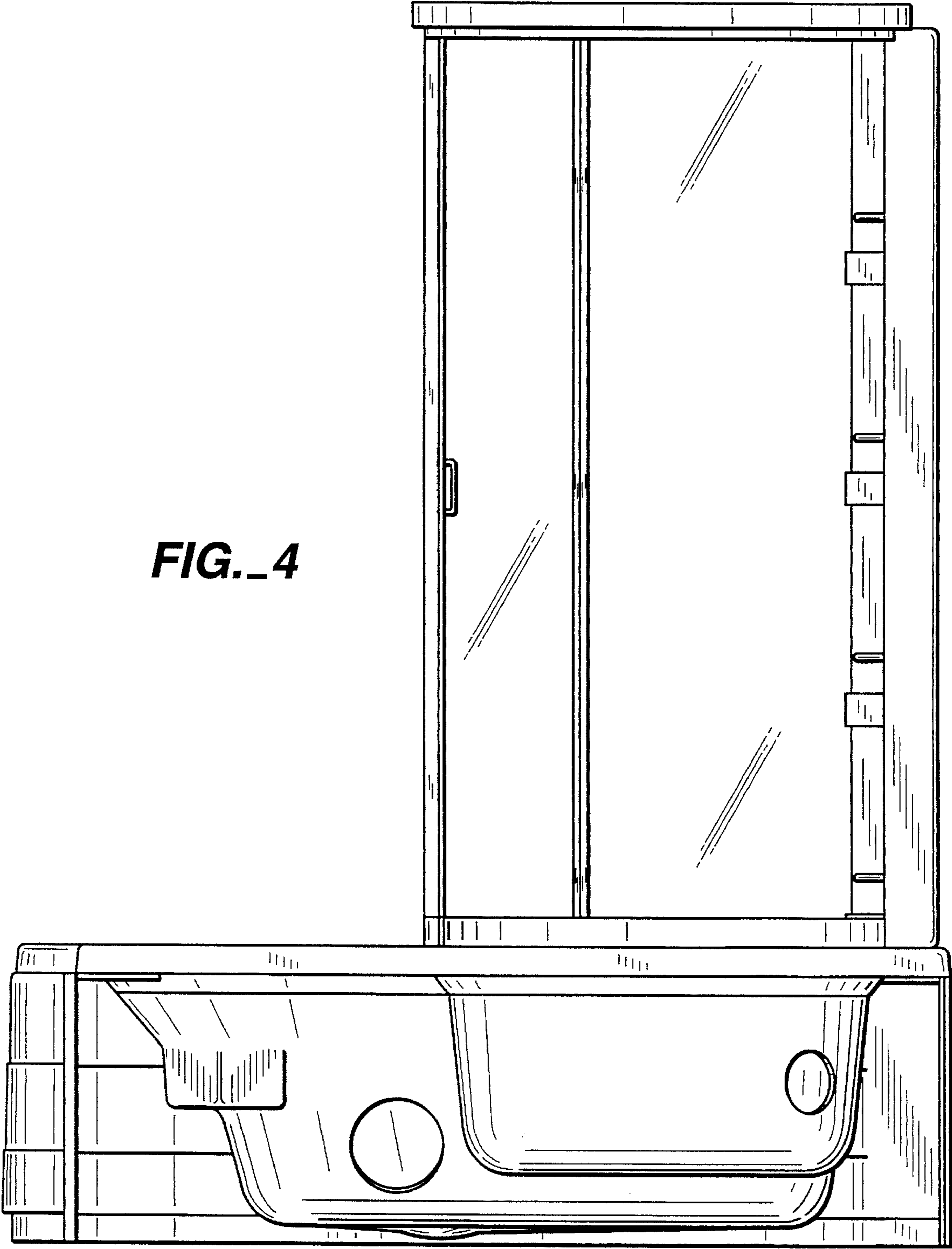


FIG. 3

FIG. 4



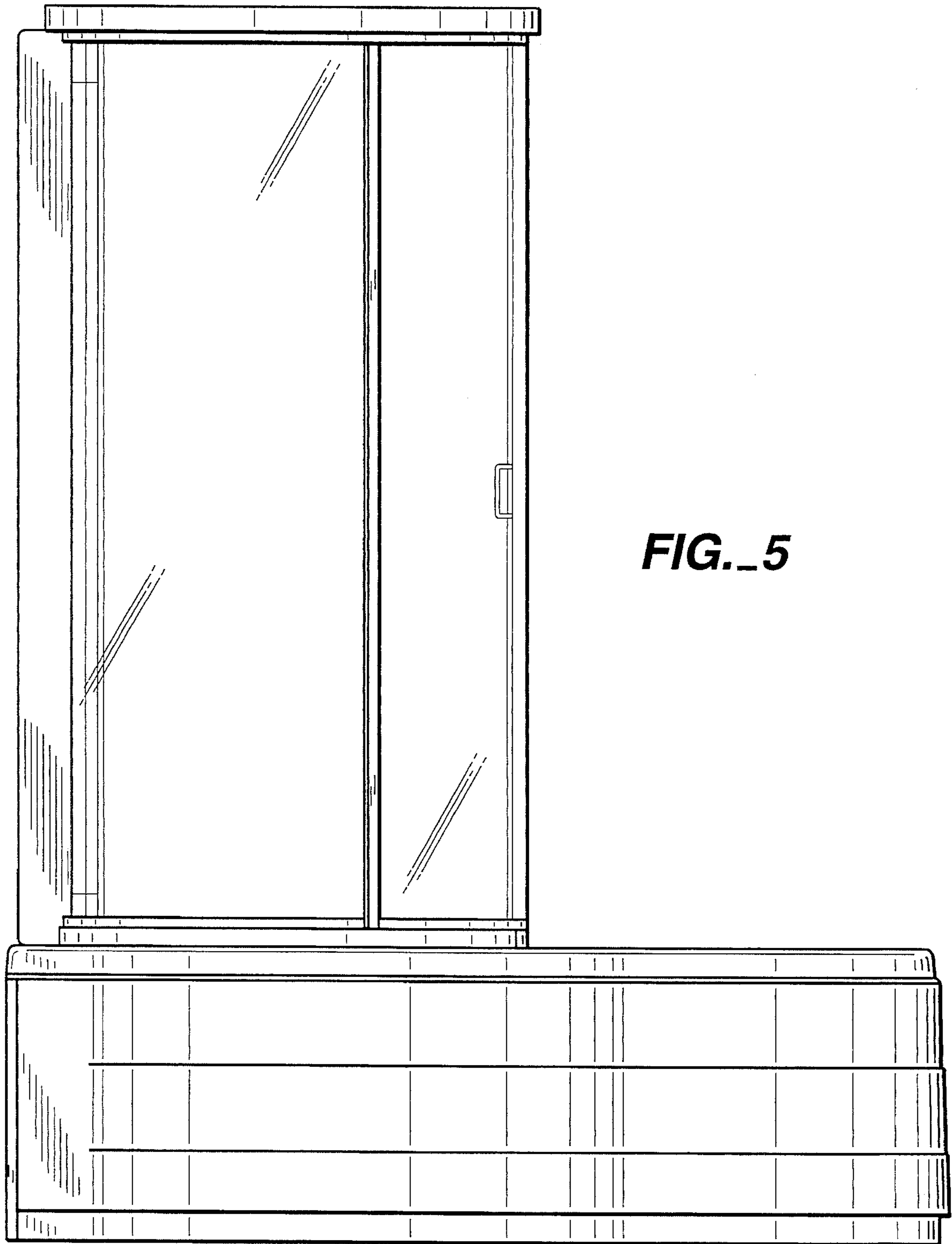
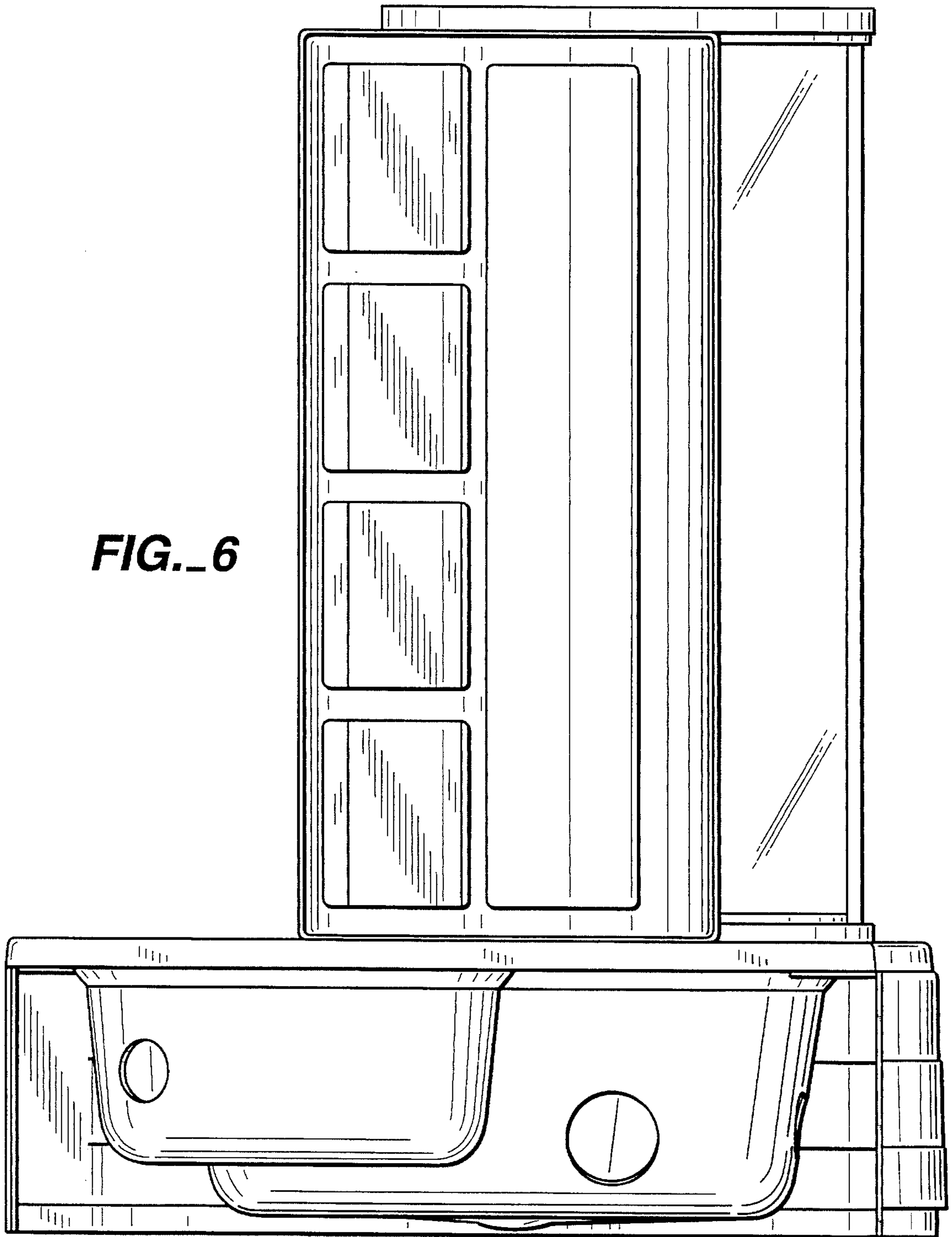


FIG. 5

FIG. 6



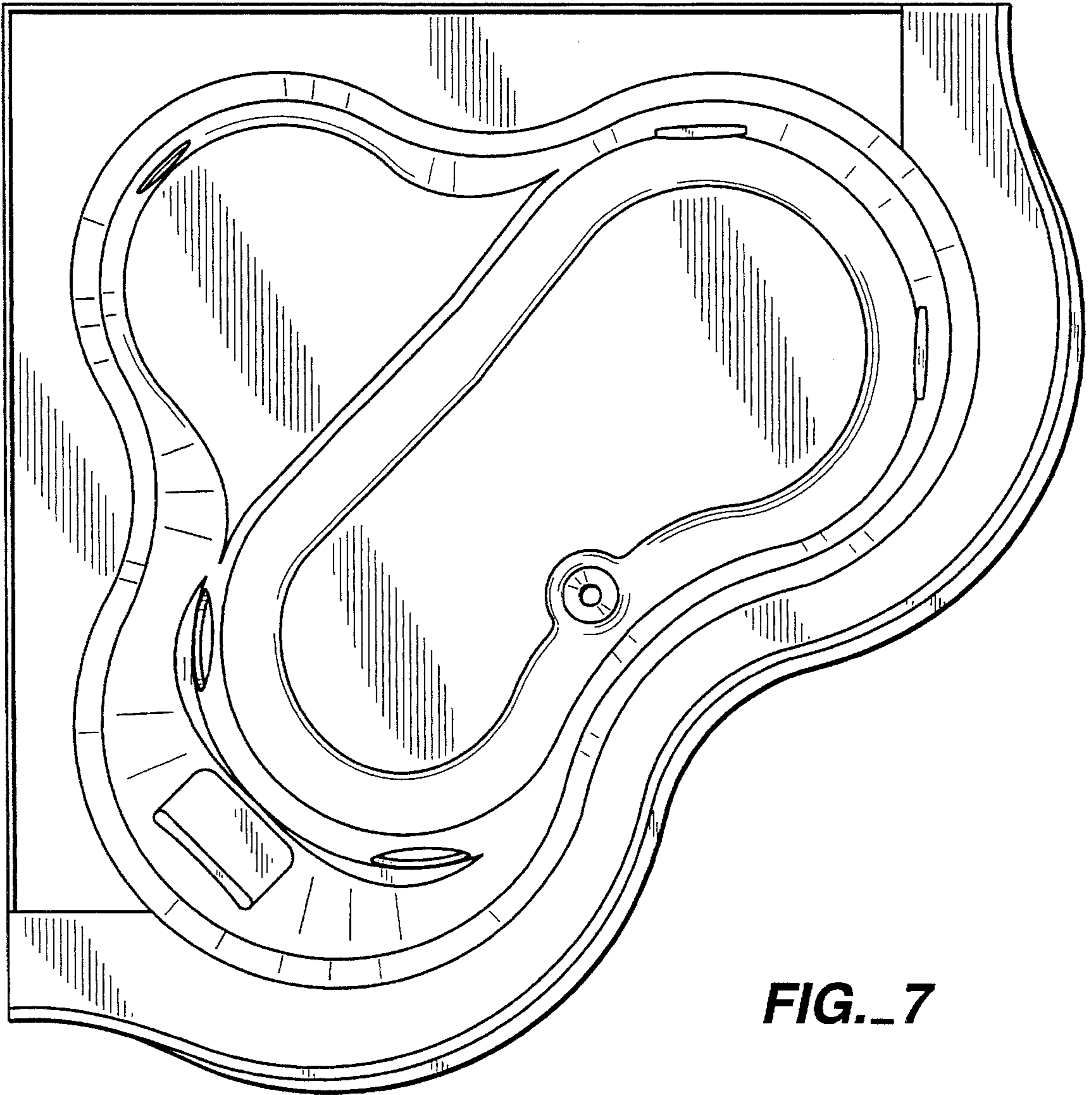


FIG. 7