



US00D367518S

United States Patent [19]

[11] Patent Number: **Des. 367,518**

Bavoso

[45] Date of Patent: ****Feb. 27, 1996**

[54] **PROXIMITY FAUCET**

[75] Inventor: **John Bavoso**, Hamilton Square, N.J.

[73] Assignee: **American Standard Inc.**, Piscataway, N.J.

[**] Term: **14 Years**

[21] Appl. No.: **28,953**

[22] Filed: **Sep. 26, 1994**

[52] U.S. Cl. **D23/238**

[58] Field of Search D23/238-243,
D23/250-258; 4/623, 675-678; 137/801

[56] **References Cited**

U.S. PATENT DOCUMENTS

- D. 169,405 4/1953 Young .
- D. 171,571 3/1954 Baker, Jr. .
- D. 192,003 12/1961 Young .
- D. 193,757 10/1962 Armstrong .
- D. 200,754 3/1965 Landell .
- D. 203,324 12/1965 Landell .
- D. 206,213 11/1966 Armstrong D23/255
- D. 207,576 5/1967 Armstrong .
- D. 213,875 4/1969 Young .
- D. 220,101 3/1971 Brown et al. .
- D. 258,518 3/1981 Thevenot .
- D. 267,109 11/1982 Fabian .
- D. 288,836 3/1987 Yost .
- D. 293,361 12/1987 Whitley, II .
- D. 321,397 11/1991 Dannenberg .
- D. 343,445 1/1994 Allen et al. .
- D. 344,575 2/1994 Hill et al. .
- D. 346,645 5/1994 Hill et al. D23/255
- D. 348,923 7/1994 Yost .
- 2,546,327 3/1951 Young .
- 3,448,768 6/1969 Keller, III .
- 3,744,519 7/1973 Parsons .
- 3,965,936 6/1976 Lyon .
- 4,290,445 9/1981 Turner .
- 4,552,171 11/1991 Farrell et al. .
- 5,165,121 11/1992 McTargett et al. 4/678

OTHER PUBLICATIONS

- Sweets Catalog for 1965, Case Manufacturing. Jul. 1964 Domestic Engineering, Delta Model 502.
- Sweets Catalog for 1969 (No. 1), Delta. Jun. 1961 Domestic Engineering, Sterling Faucet.
- 1986 Ejer Catalog, Model 557-1000.
- Sweets Catalog for 1969 (No. 2), Delta Model 522.
- 1965 American Standard Catalog, p. 65, faucet body with lavatory F109-60.
- 1984 Delta Workforce Catalog.
- Haug International Design Registration DM001/225 (1982).
- May 1982 Domestic Engineering, Bardley Faucet.
- Toto Catalog, Jun. 1987, No. 334, p. 15.
- Japanese Design Reg. No. 762,474.
- Toto Model No. 180A, also in toto Catalog, Jun. 1987.
- Price Pfister's New Jersey Trademark Registration No. 1985 6154.
- Sweets Catalog for 1977, Elkay Model LK-2212.
- Trademark Register No. 1,808,996, Registered Dec. 7, 1993.

Primary Examiner—Stella Reid
Assistant Examiner—Eric Watterson
Attorney, Agent, or Firm—Elaine Brenner Robinson; Ann M. Knab

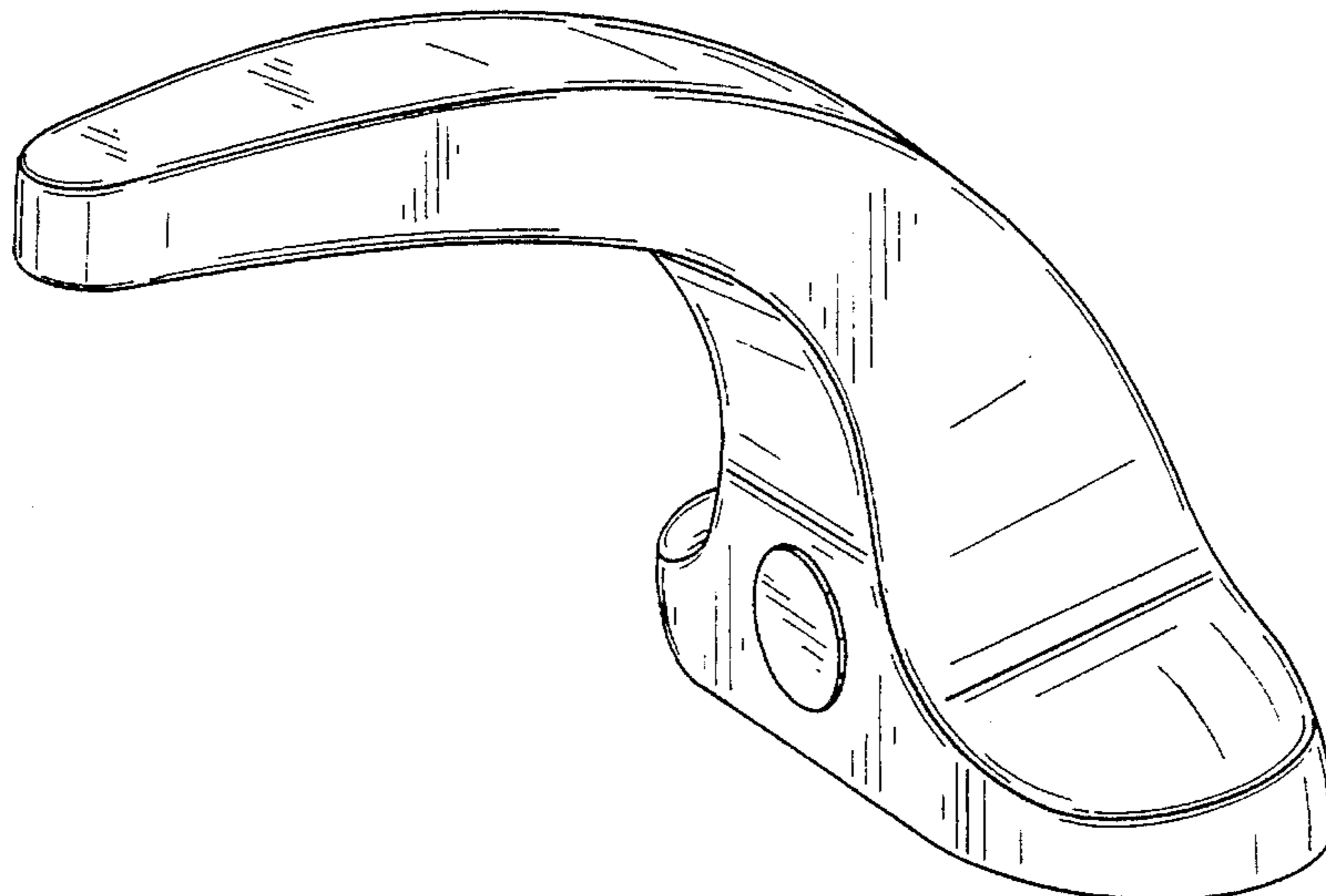
[57] **CLAIM**

The ornamental design for a proximity faucet, as shown and described.

DESCRIPTION

FIG. 1 is a perspective view taken from the top, front and a side thereof;
 FIG. 2 is a top plan view;
 FIG. 3 is a front elevational view;
 FIG. 4 is a rear elevational view;
 FIG. 5 is a left side elevational view; and,
 FIG. 6 is a right side elevational view.
 The bottom view being plan and unornamented.

1 Claim, 3 Drawing Sheets



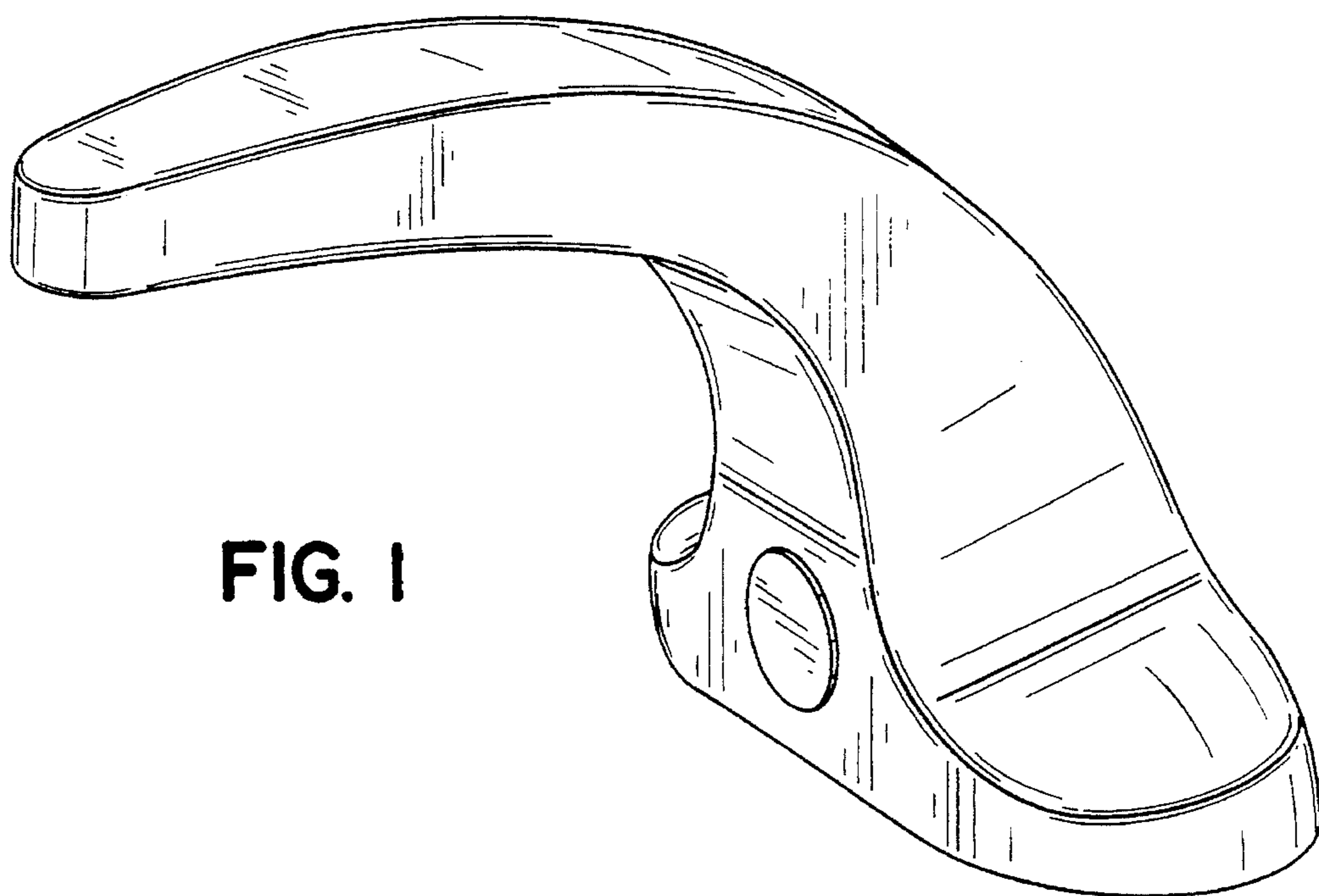


FIG. 1

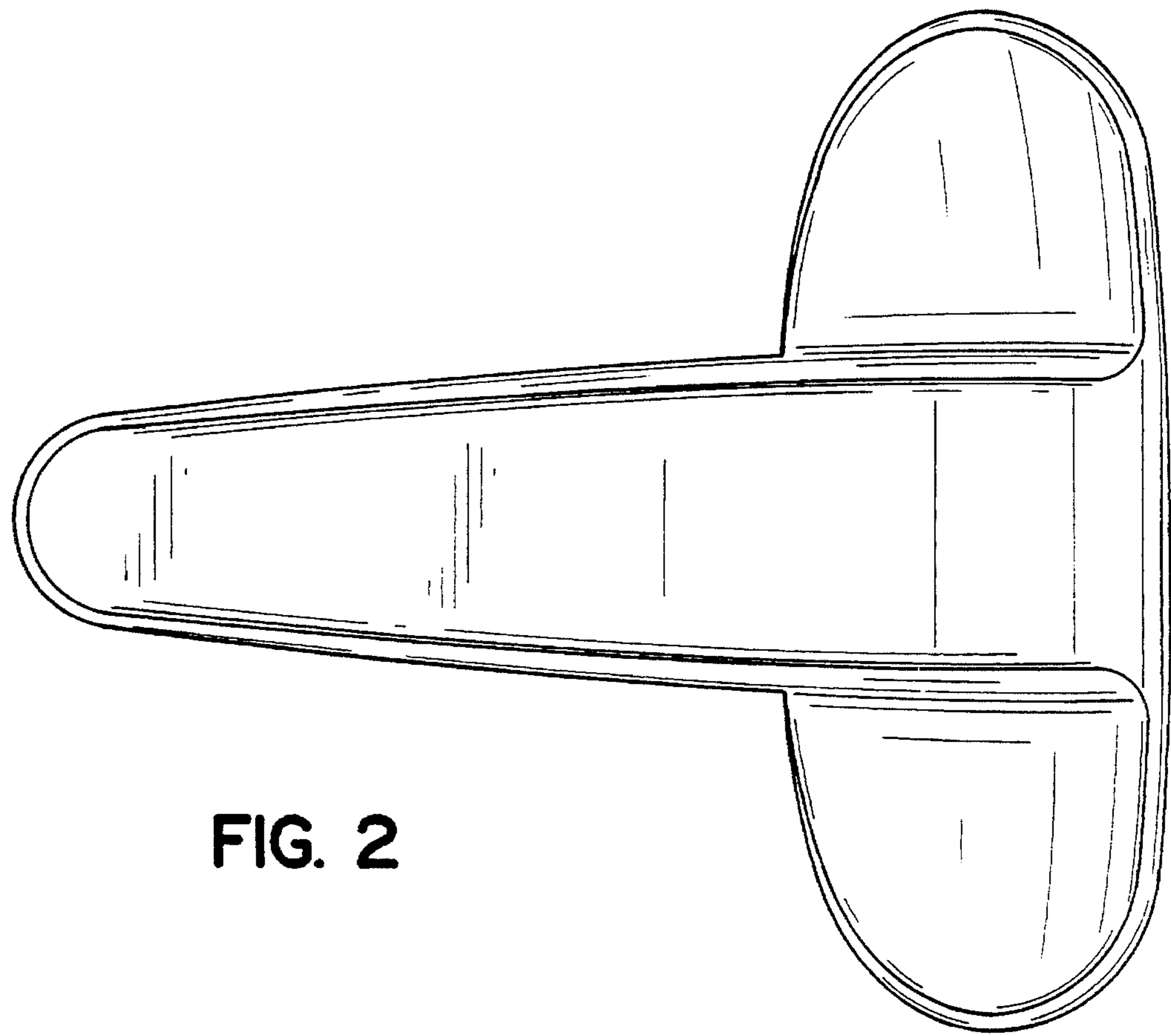


FIG. 2

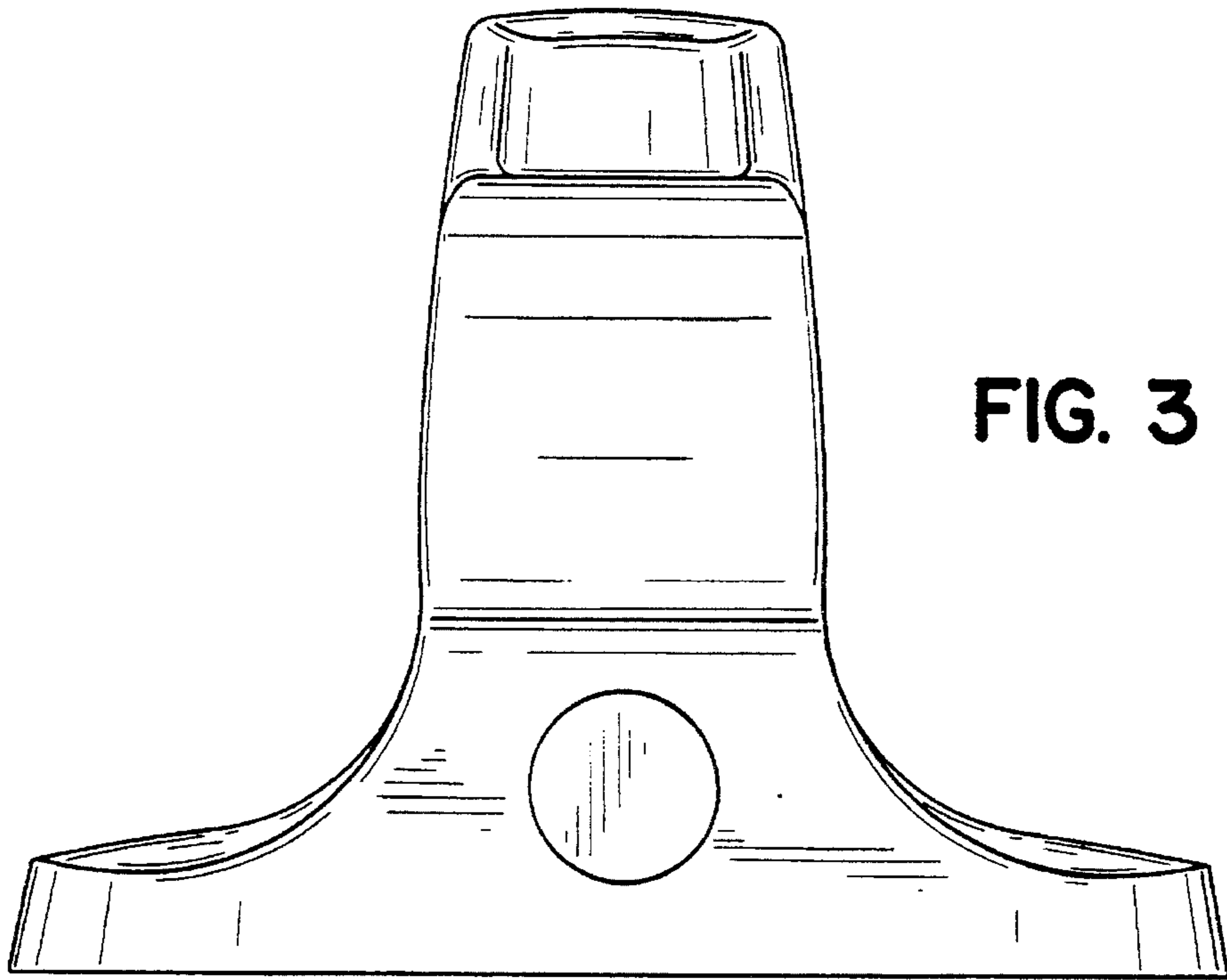


FIG. 3

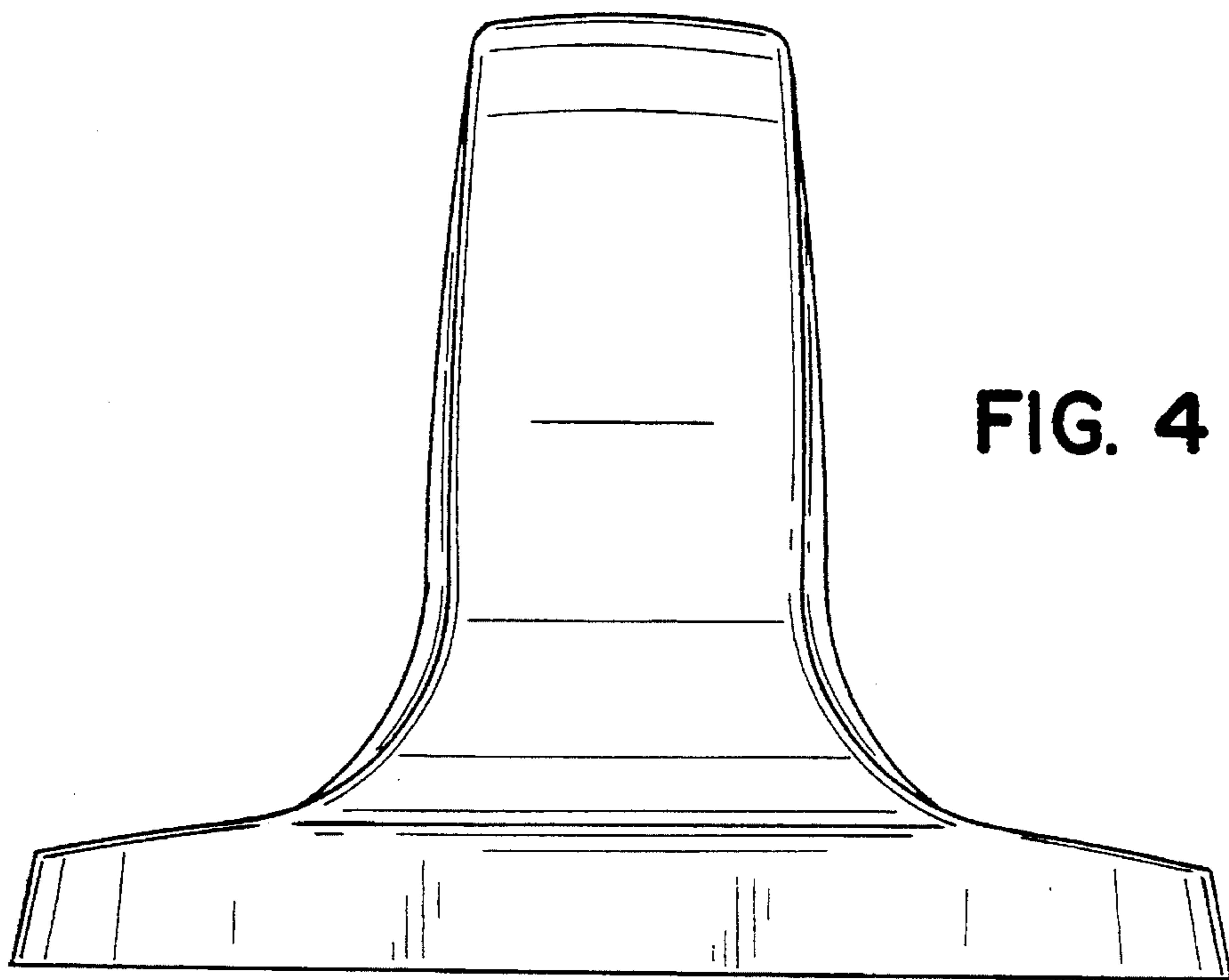


FIG. 4

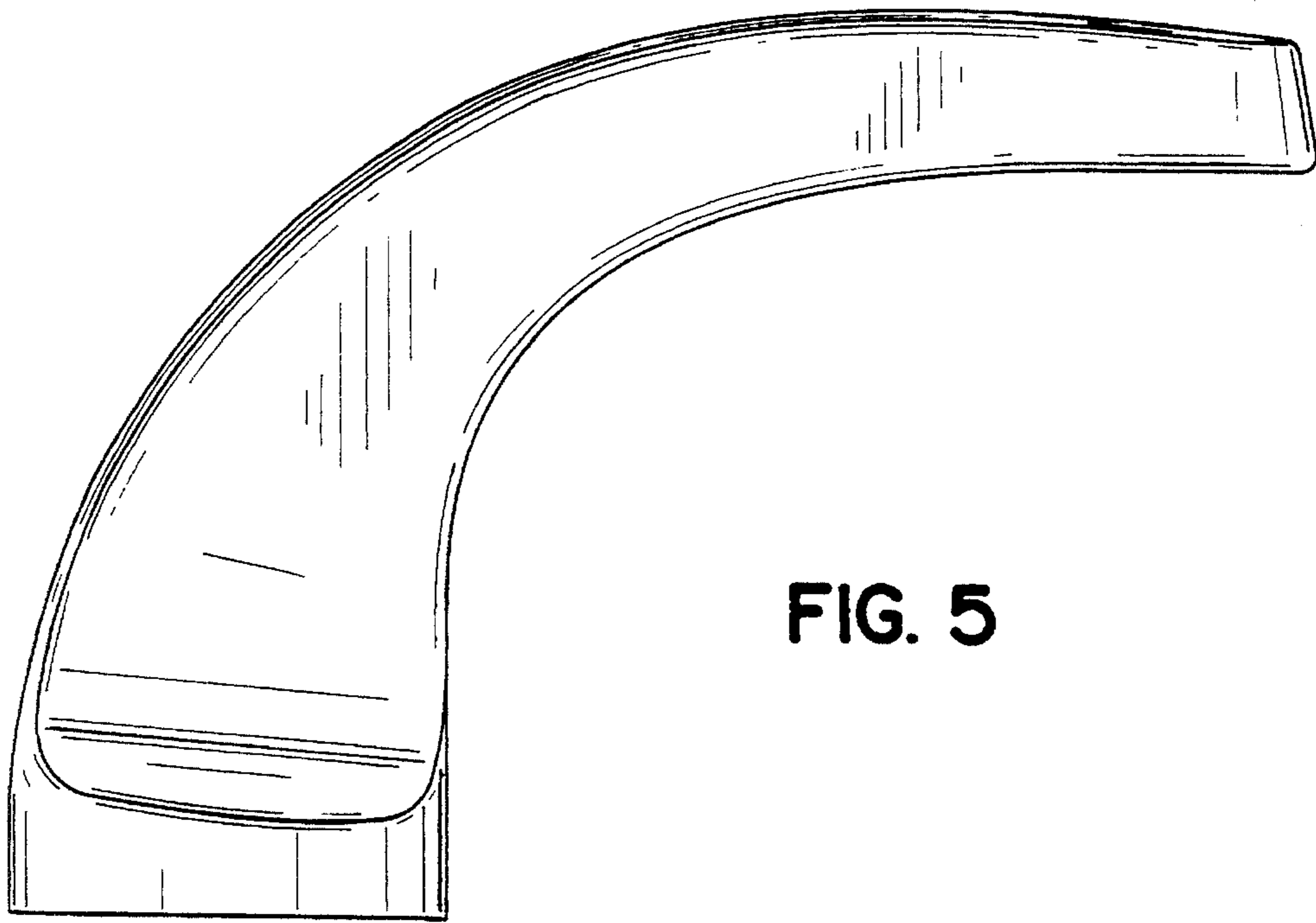


FIG. 5

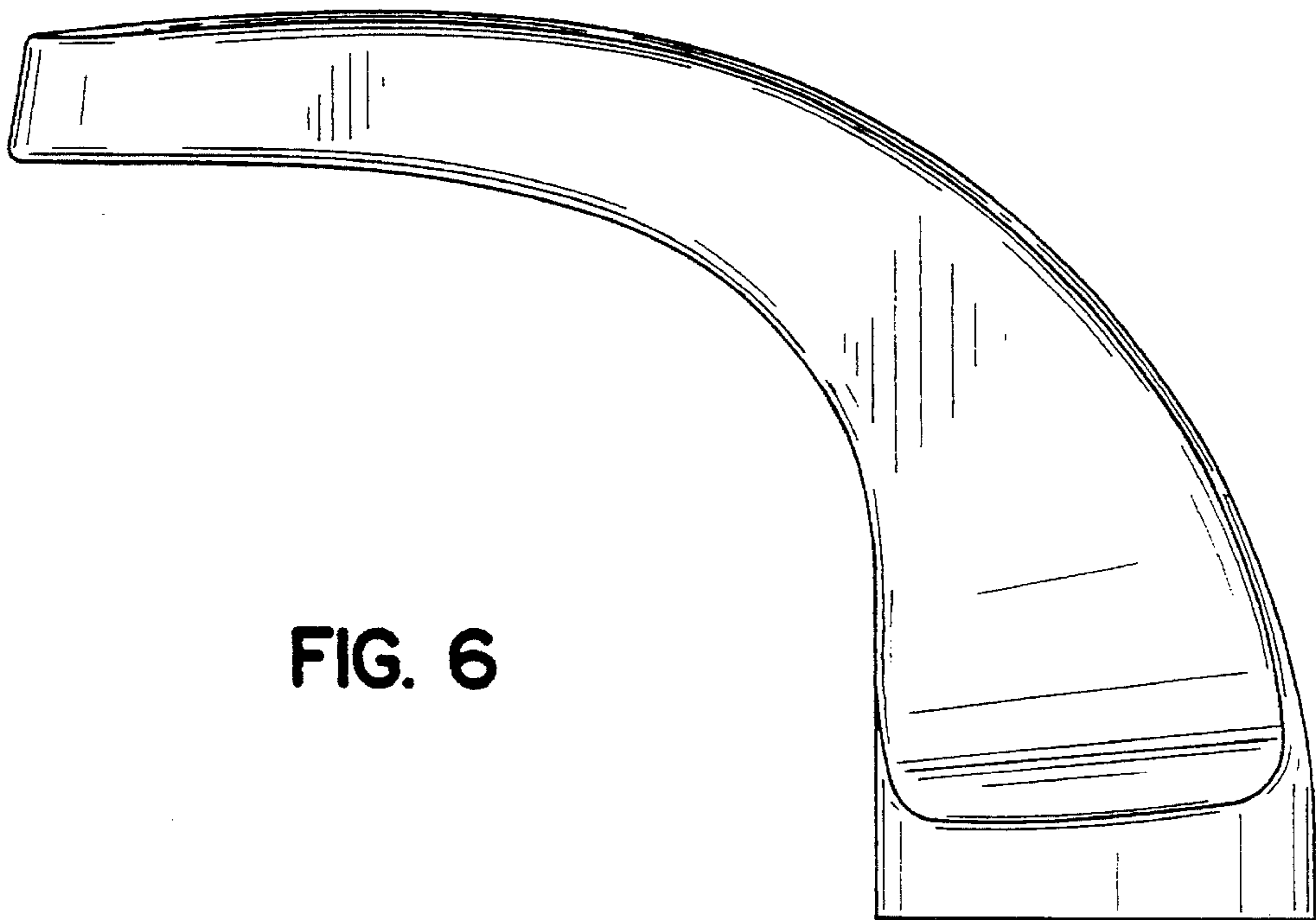


FIG. 6