



US00D367517S

United States Patent [19]

[11] Patent Number: **Des. 367,517**

Sabio et al.

[45] Date of Patent: ****Feb. 27, 1996**

[54] **WATER LINE CATHODIC PROTECTION UNIT**

5,257,826	11/1993	Prassas et al.	285/156 X
5,299,839	4/1994	Mogavero	285/156 X
5,375,626	12/1994	Pears	138/103

[76] Inventors: **Guillermo L. Sabio**, 5341 Denver Dr., Orlando, Fla. 32812; **William A. Roop**, 3016 N. Lions Ct., Kissimmee, Fla. 34744

Primary Examiner—Stella Reid
Assistant Examiner—Eric Watterson
Attorney, Agent, or Firm—William M. Hobby, III

[**] Term: **14 Years**

[57] **CLAIM**

[21] Appl. No.: **36,069**

The ornamental design for a water line cathodic protection unit, as shown.

[22] Filed: **Mar. 13, 1995**

DESCRIPTION

[52] U.S. Cl. **D23/235**

[58] **Field of Search** D23/233-235,
D23/260-265; 138/103, 110; 285/156; 204/196

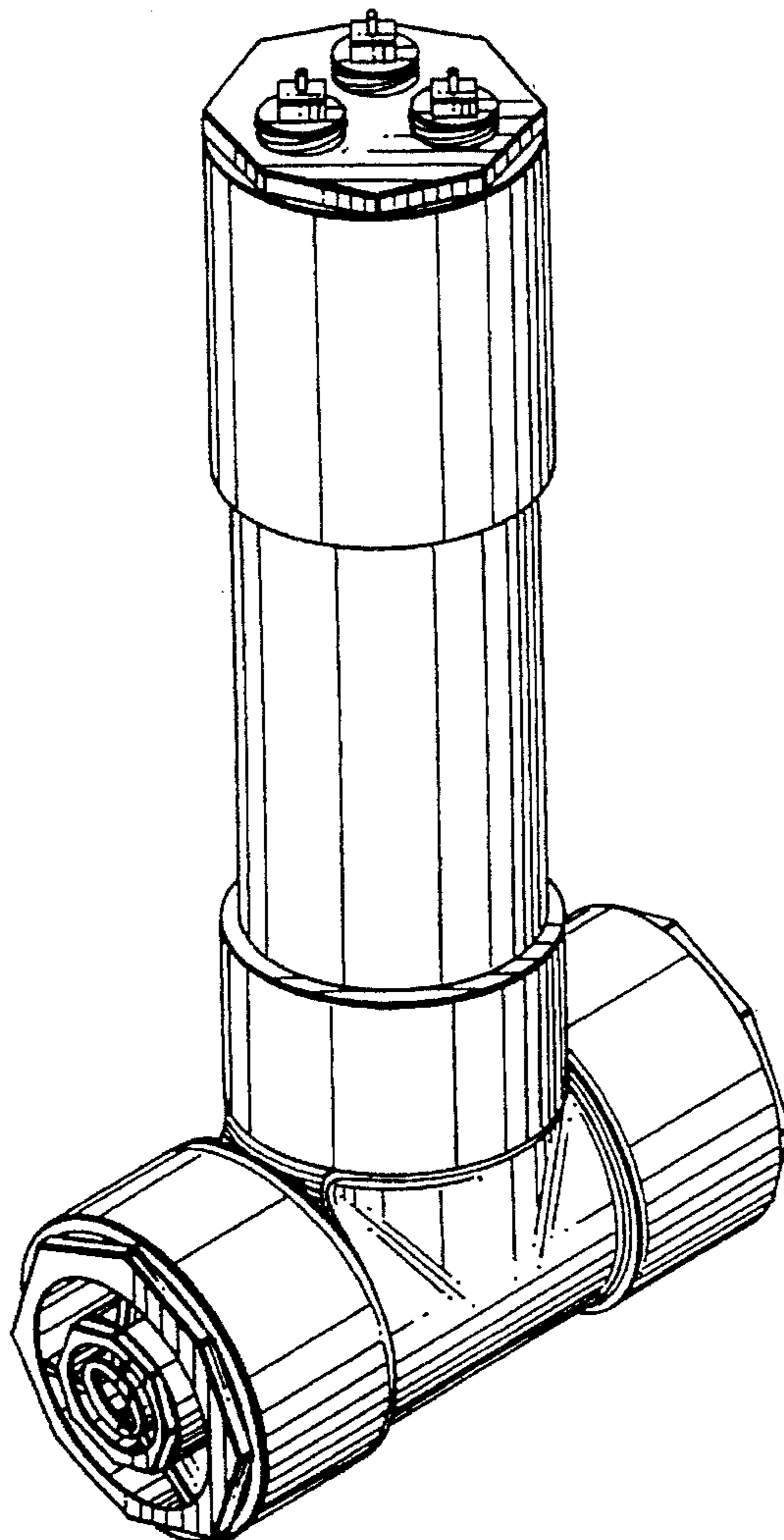
FIG. 1 is a top and right side perspective view of a water line cathodic protection unit;
FIG. 2 is a left side elevation, the right side being a mirror image;
FIG. 3 is a top plan view;
FIG. 4 is a front end elevation;
FIG. 5 is a rear end elevation; and,
FIG. 6 is a bottom plan view.

[56] **References Cited**

U.S. PATENT DOCUMENTS

4,889,167	12/1989	Morris	138/110 X
4,936,969	6/1990	Garlinger	204/196
5,090,743	2/1992	Obering	285/156
5,127,441	7/1992	Rains	138/103 X

1 Claim, 1 Drawing Sheet



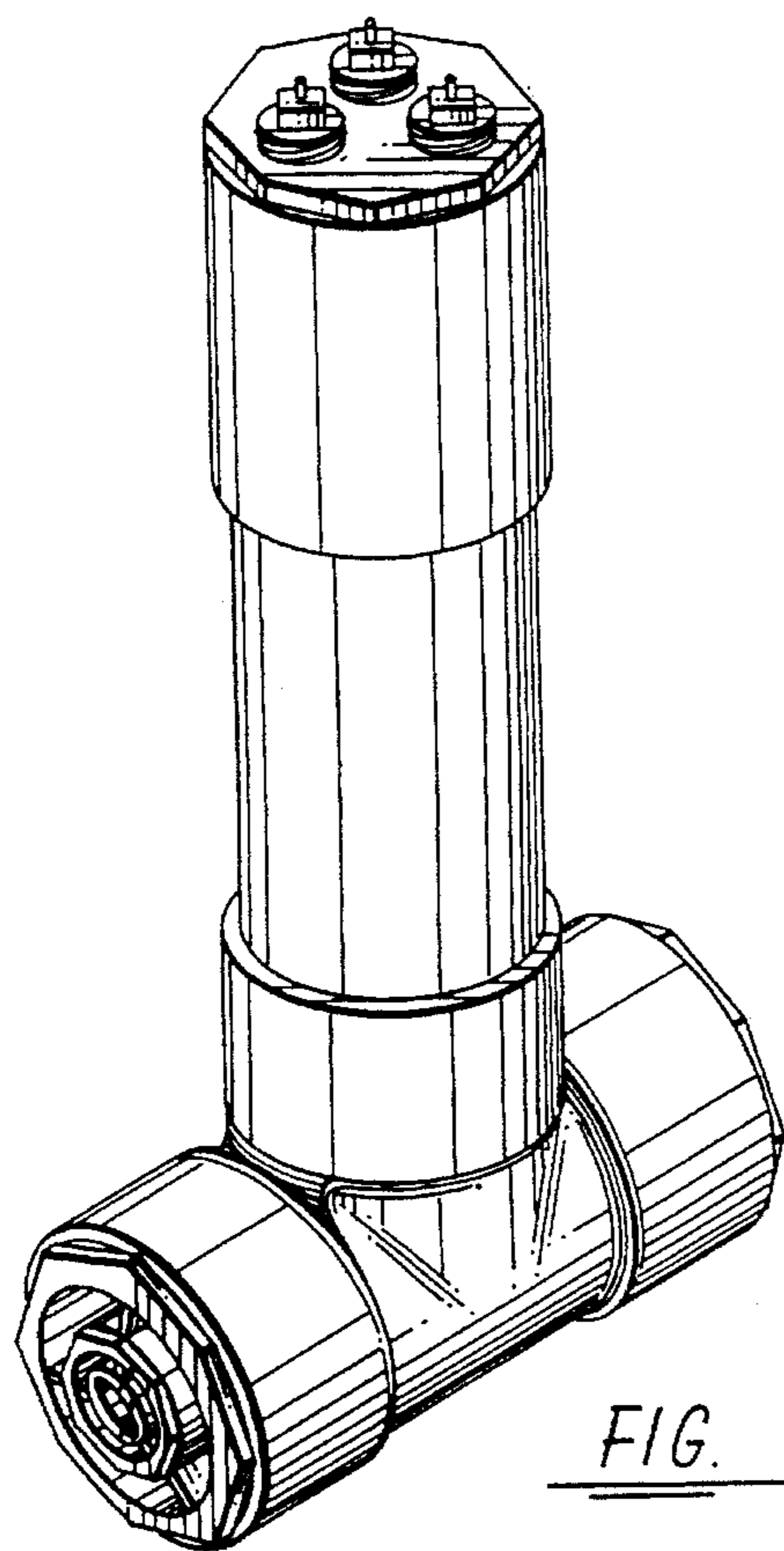


FIG. 1

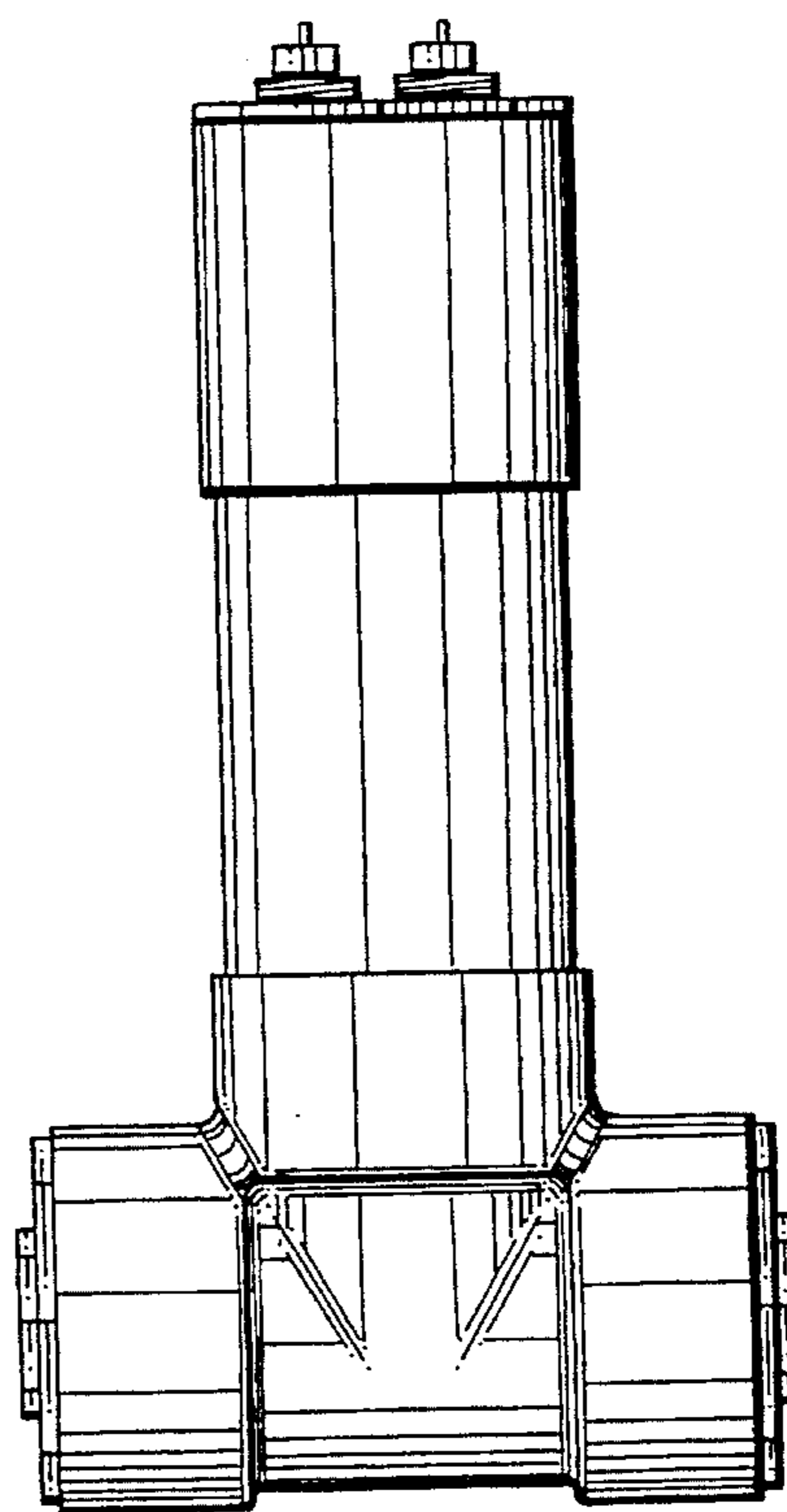


FIG. 2

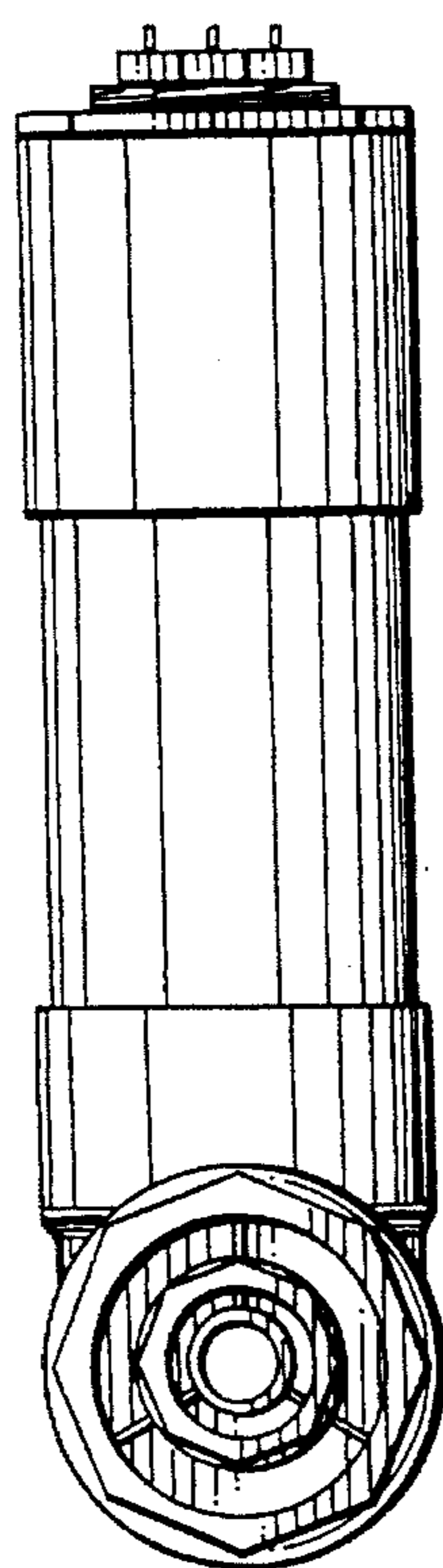


FIG. 4

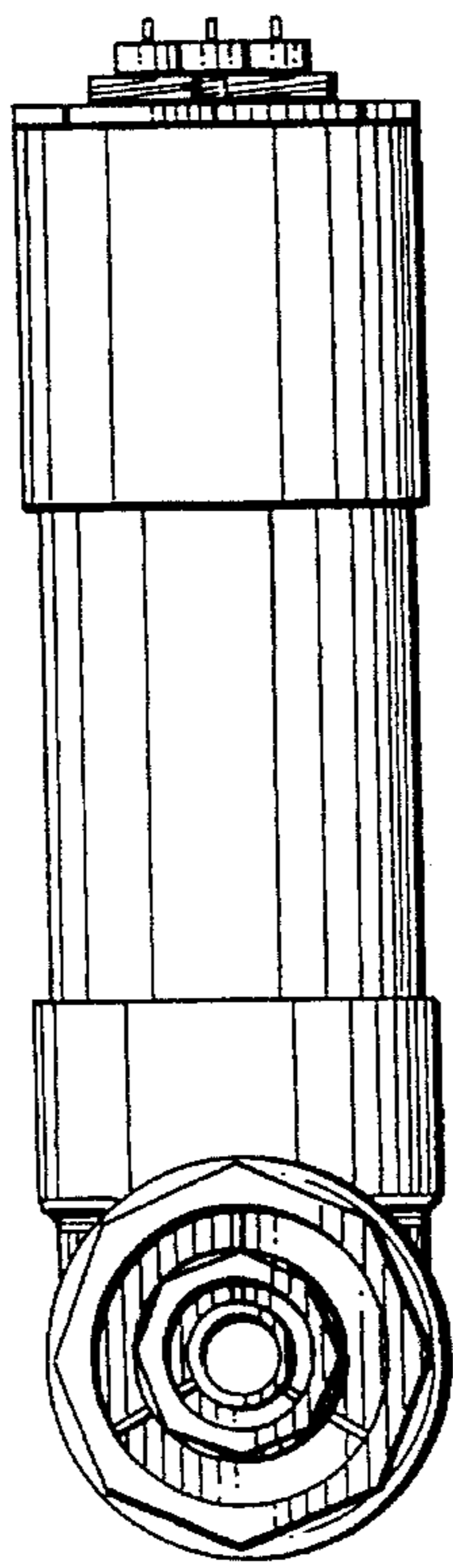


FIG. 5

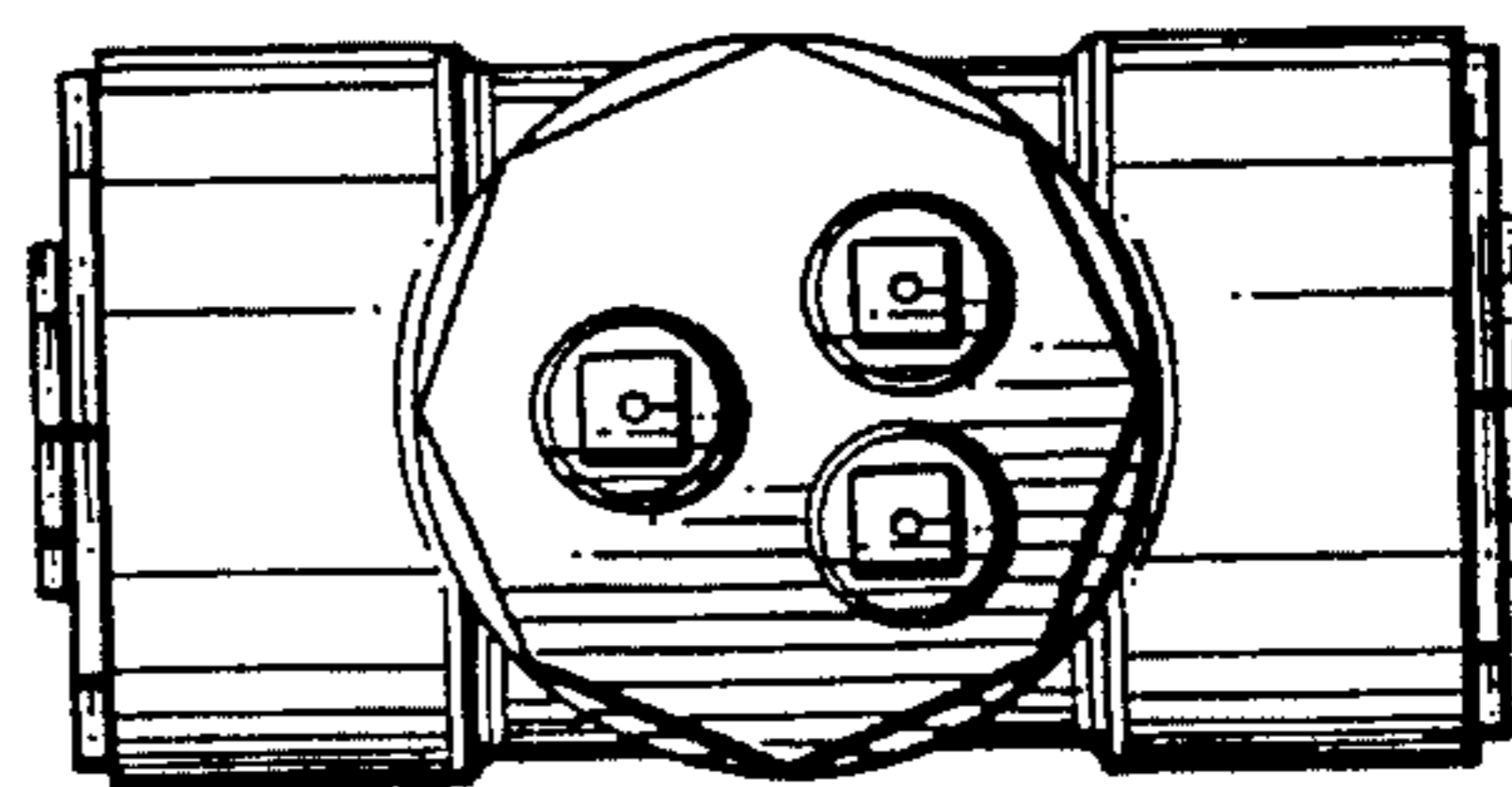


FIG. 3

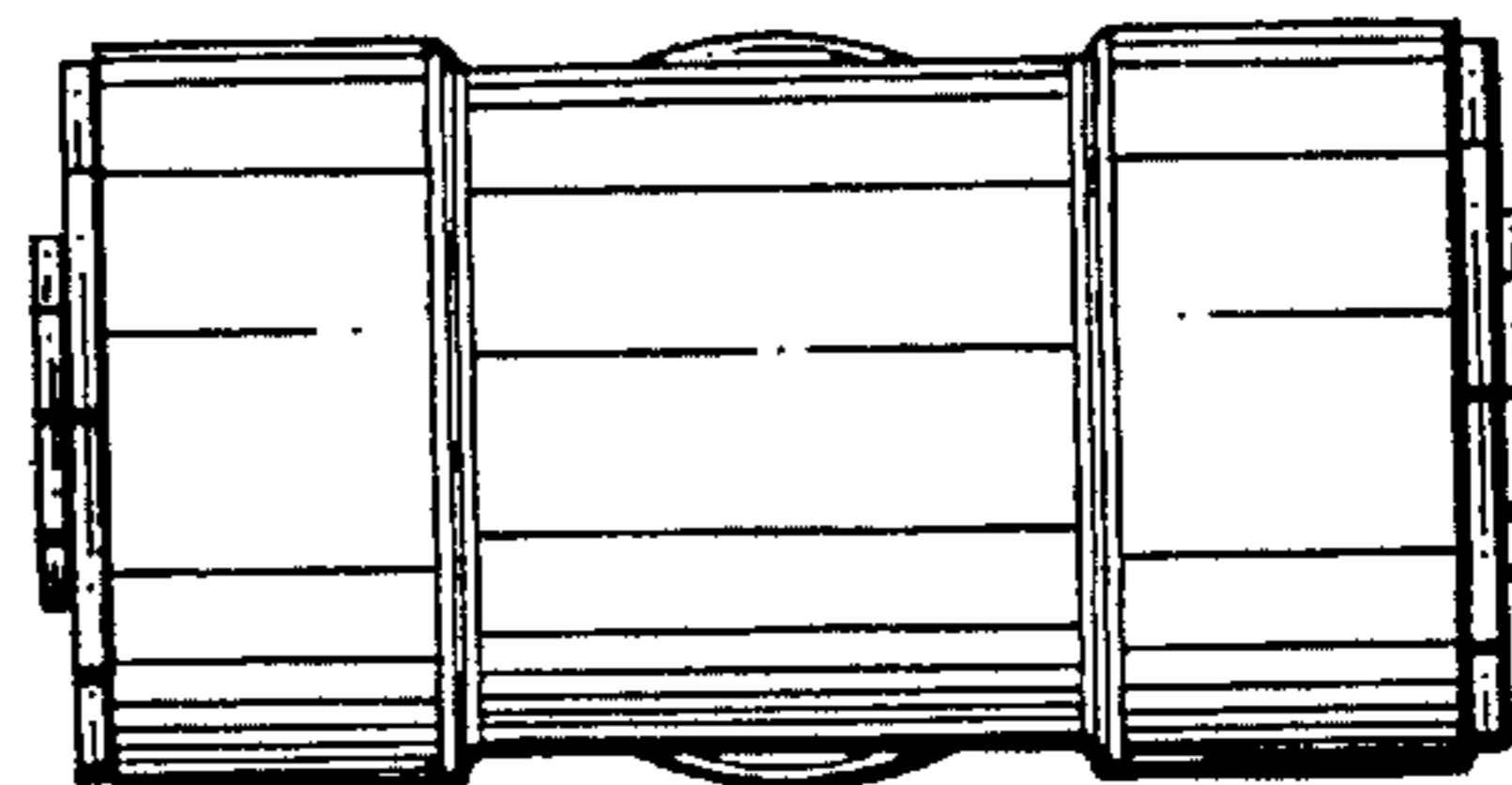


FIG. 6