



US00D367515S

**United States Patent** [19]  
**Robbins et al.**

[11] **Patent Number: Des. 367,515**  
[45] **Date of Patent: \*\*Feb. 27, 1996**

[54] **BAITCAST FISHING REEL**  
[75] Inventors: **Richard J. Robbins**, Derby, Kans.;  
**David E. Valentine**, Tulsa, Okla.;  
**Hyunkyu K. Kim**, Incheon, Rep. of  
Korea  
[73] Assignee: **Zebco Division of Brunswick  
Corporation**, Tulsa, Okla.  
[\*\*] Term: **14 Years**

2,673,043 3/1954 Verbeke ..... 242/279  
2,922,595 1/1960 Holahan ..... D22/140 X  
5,292,087 3/1994 Sato ..... 248/268

*Primary Examiner*—Doris V. Coles  
*Attorney, Agent, or Firm*—Wood, Phillips, Van Santen,  
Clark & Mortimer

[21] Appl. No.: **15,013**  
[22] Filed: **Nov. 4, 1993**  
[52] **U.S. Cl.** ..... **D22/140**  
[58] **Field of Search** ..... D22/140; 242/236,  
242/223, 224, 238, 288, 260, 261, 262,  
279, 264, 268, 311, 312, 257, 258

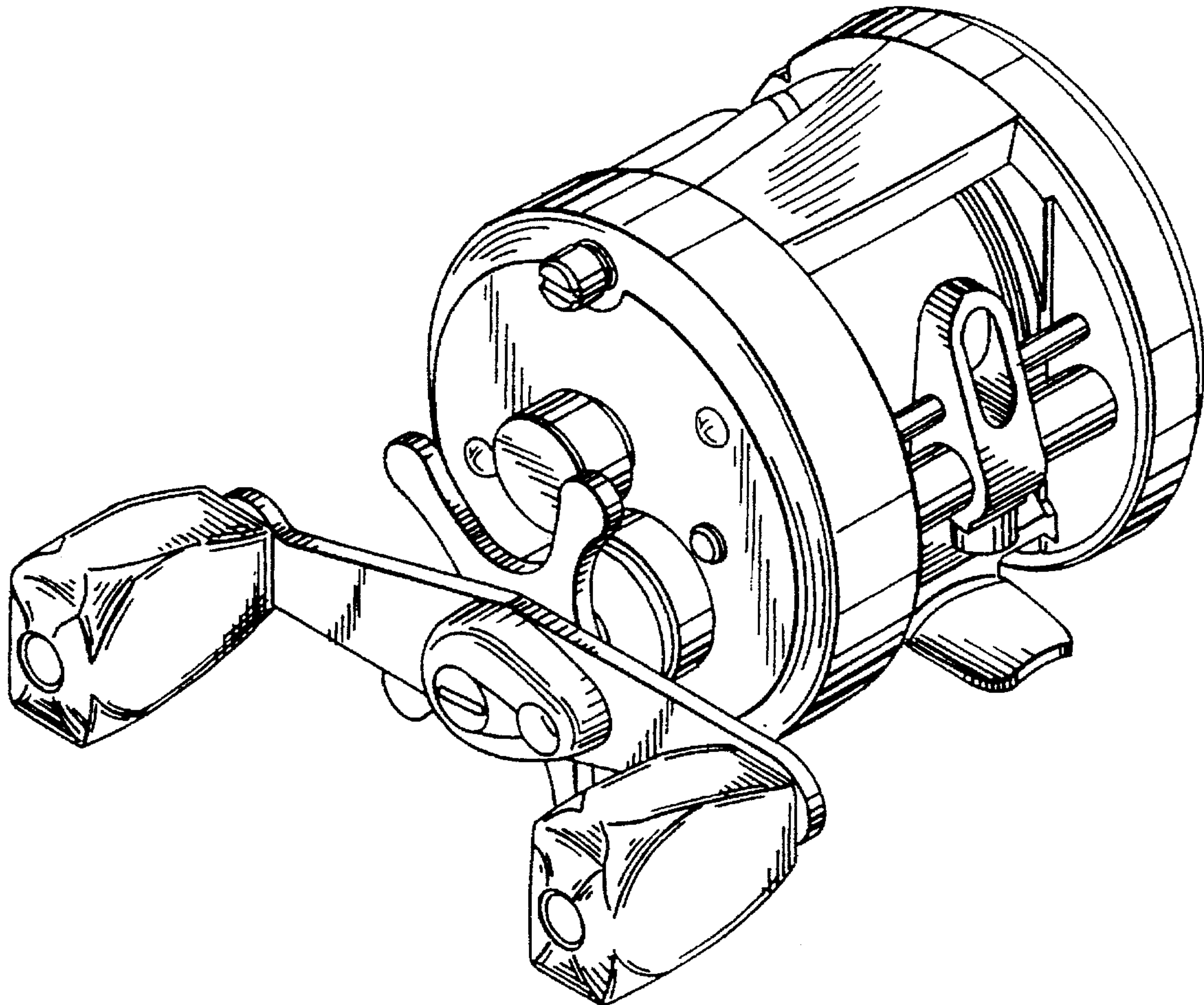
[57] **CLAIM**  
The ornamental design for a baitcast fishing reel, as shown  
and described.

**DESCRIPTION**

FIG. 1 is a front, top and left side perspective view of a  
baitcast fishing reel showing our new design;  
FIG. 2 is a left side elevation view thereof;  
FIG. 3 is a right side elevation view thereof;  
FIG. 4 is a plan view thereof;  
FIG. 5 is a rear elevation view thereof;  
FIG. 6 is a top, right and rear perspective view thereof;  
FIG. 7 is a front elevation view thereof; and,  
FIG. 8 is a bottom view thereof.

[56] **References Cited**  
**U.S. PATENT DOCUMENTS**  
D. 348,919 7/1994 Sato et al. .... D22/140  
D. 352,989 11/1994 Park ..... D22/140

**1 Claim, 4 Drawing Sheets**



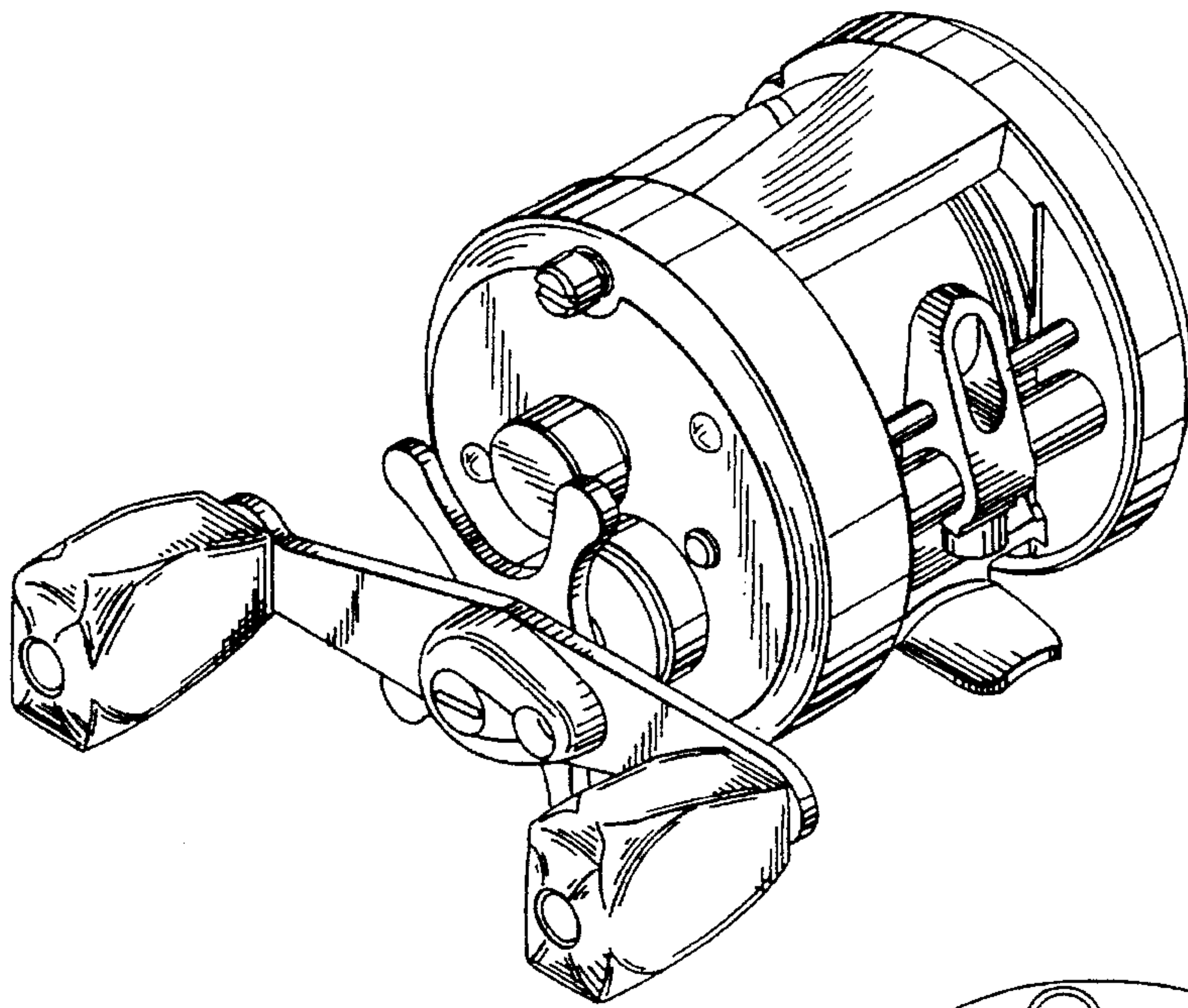


FIG. 1

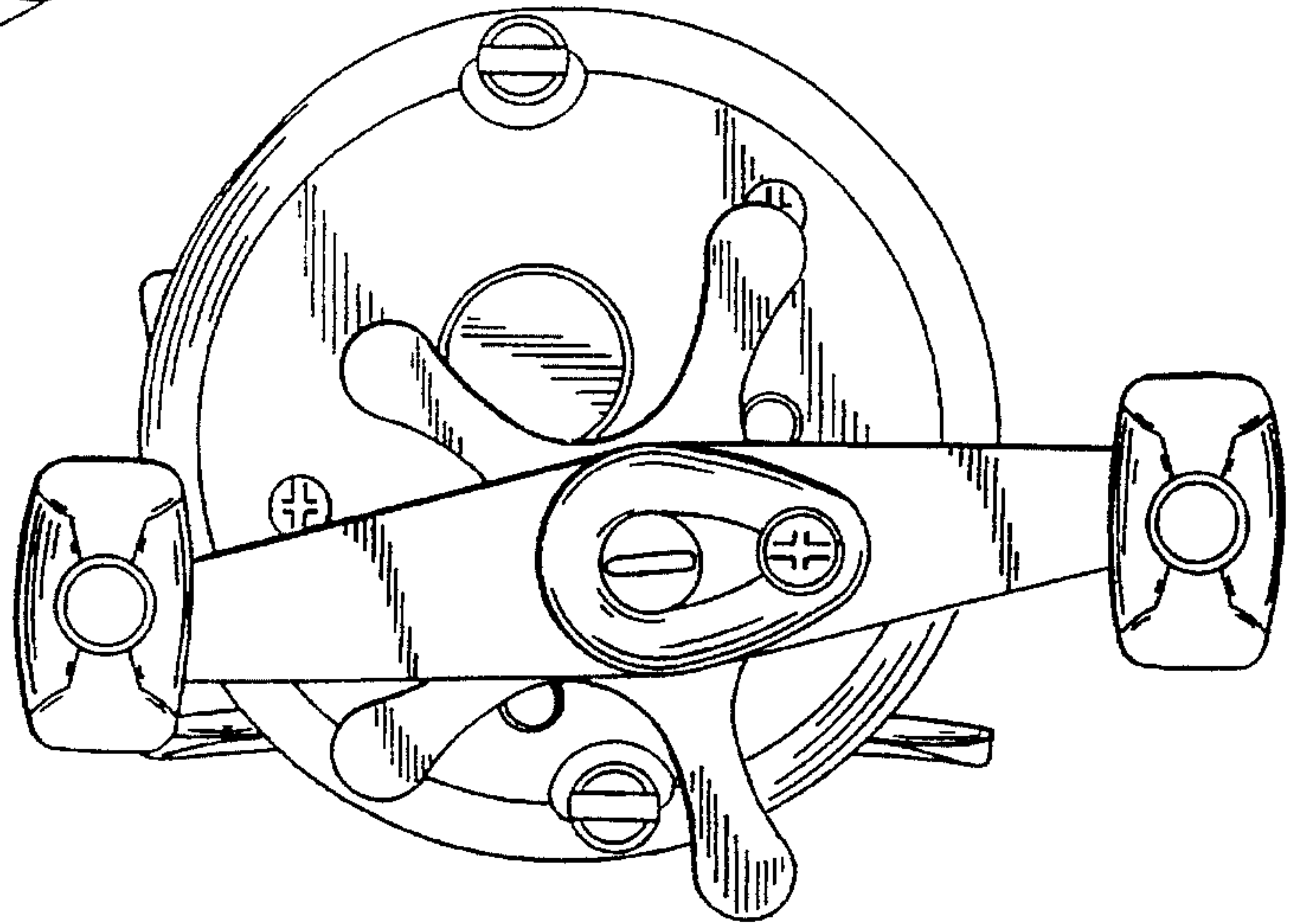


FIG. 2

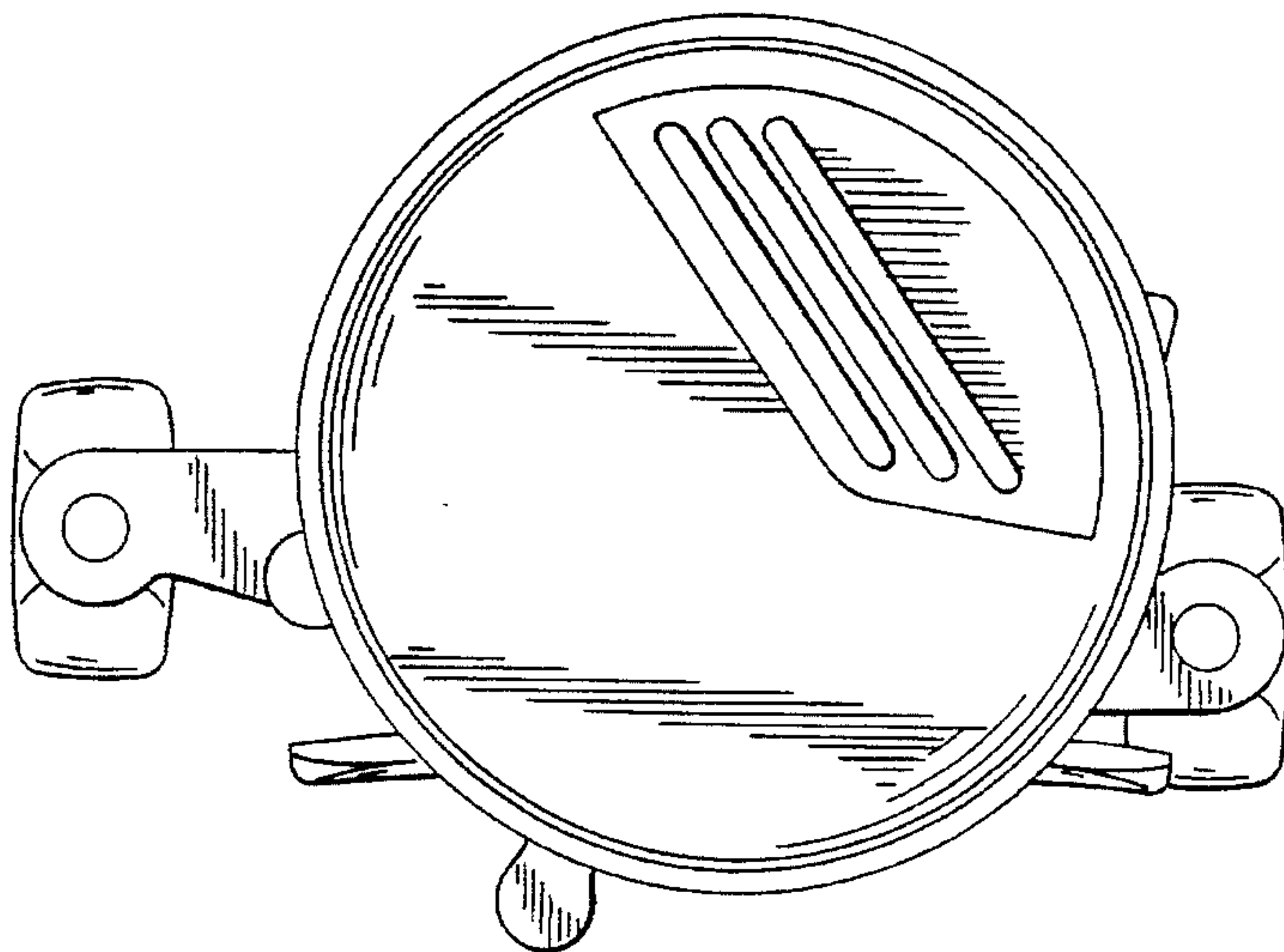


FIG. 3



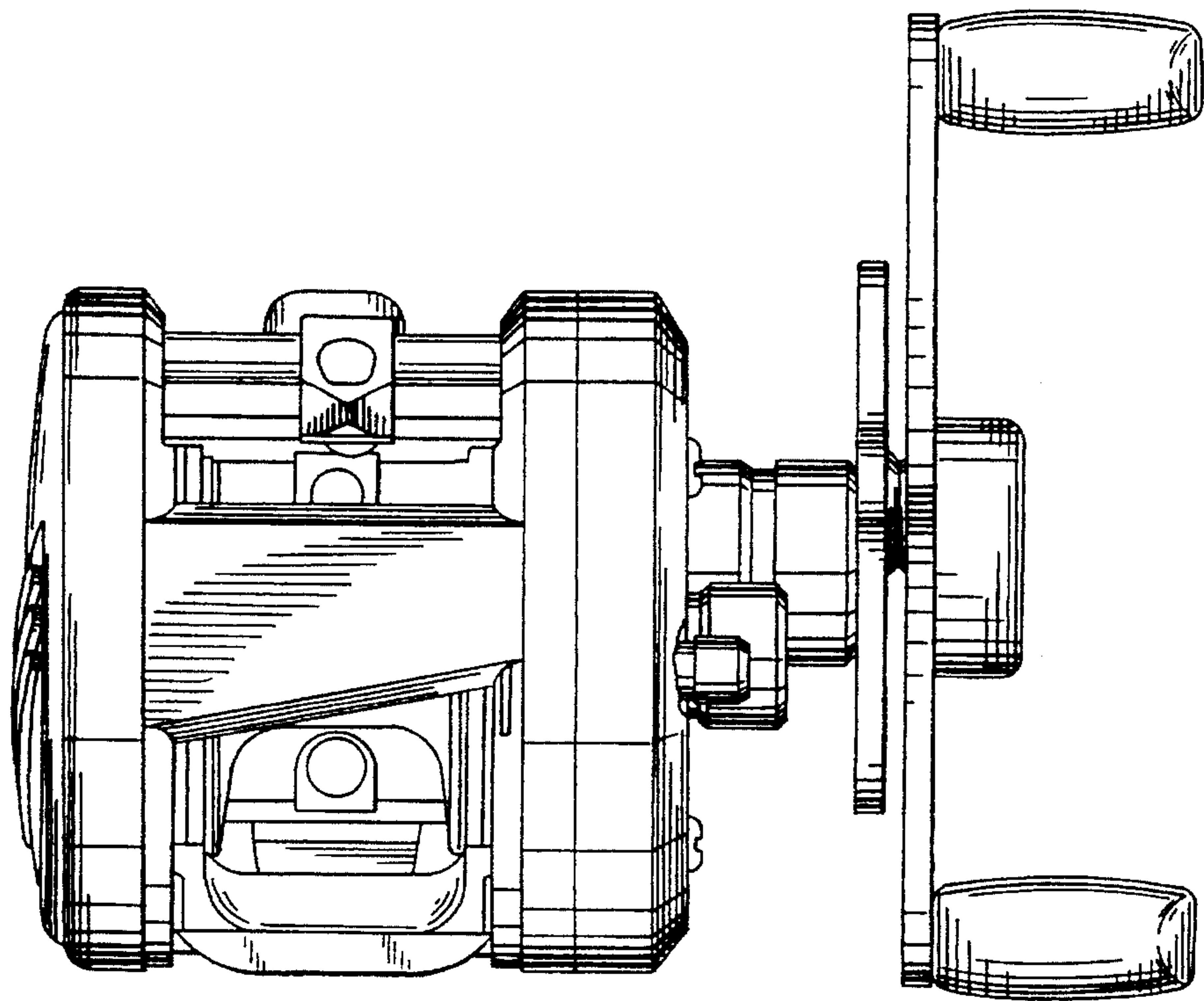


FIG. 4

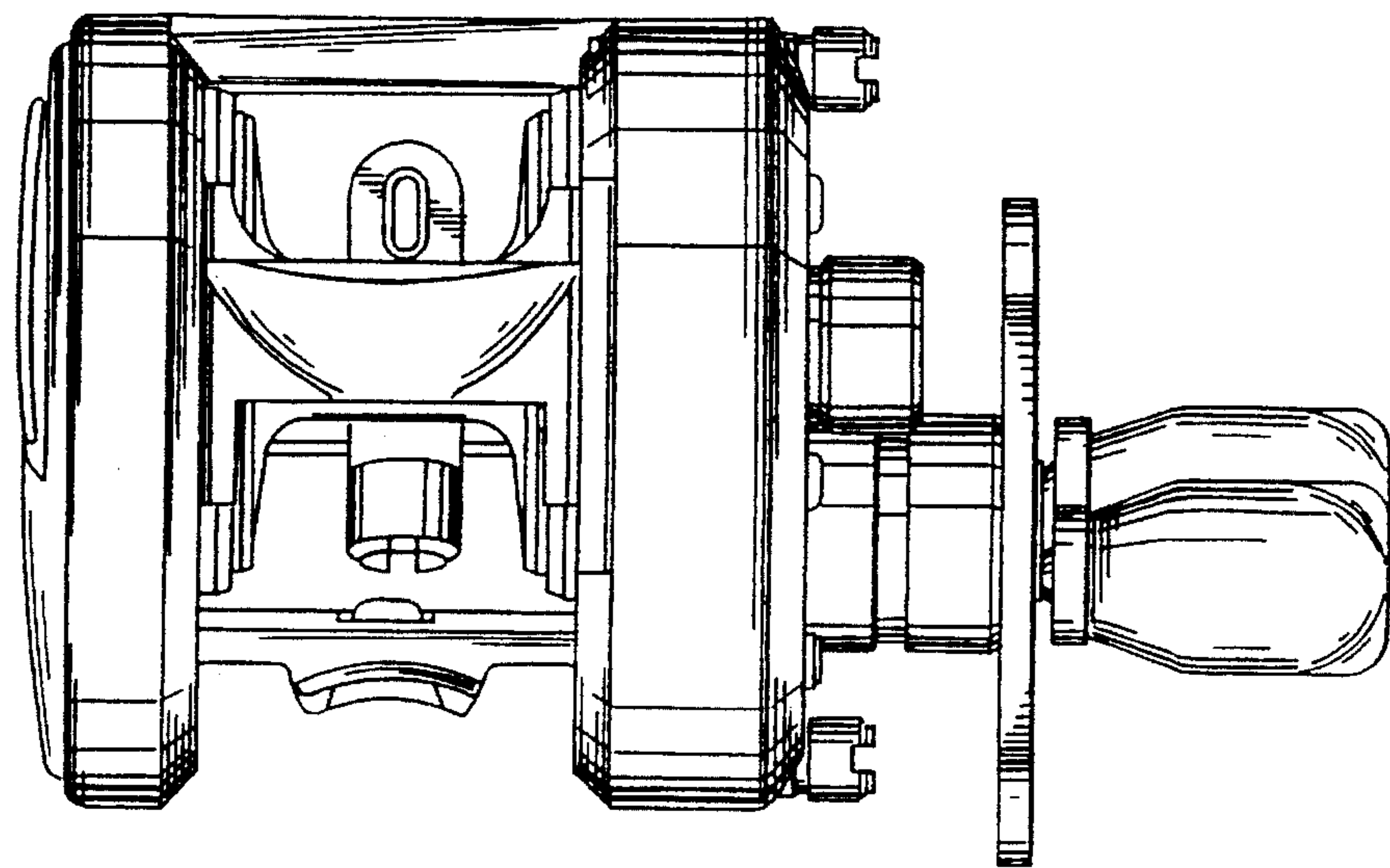


FIG. 5

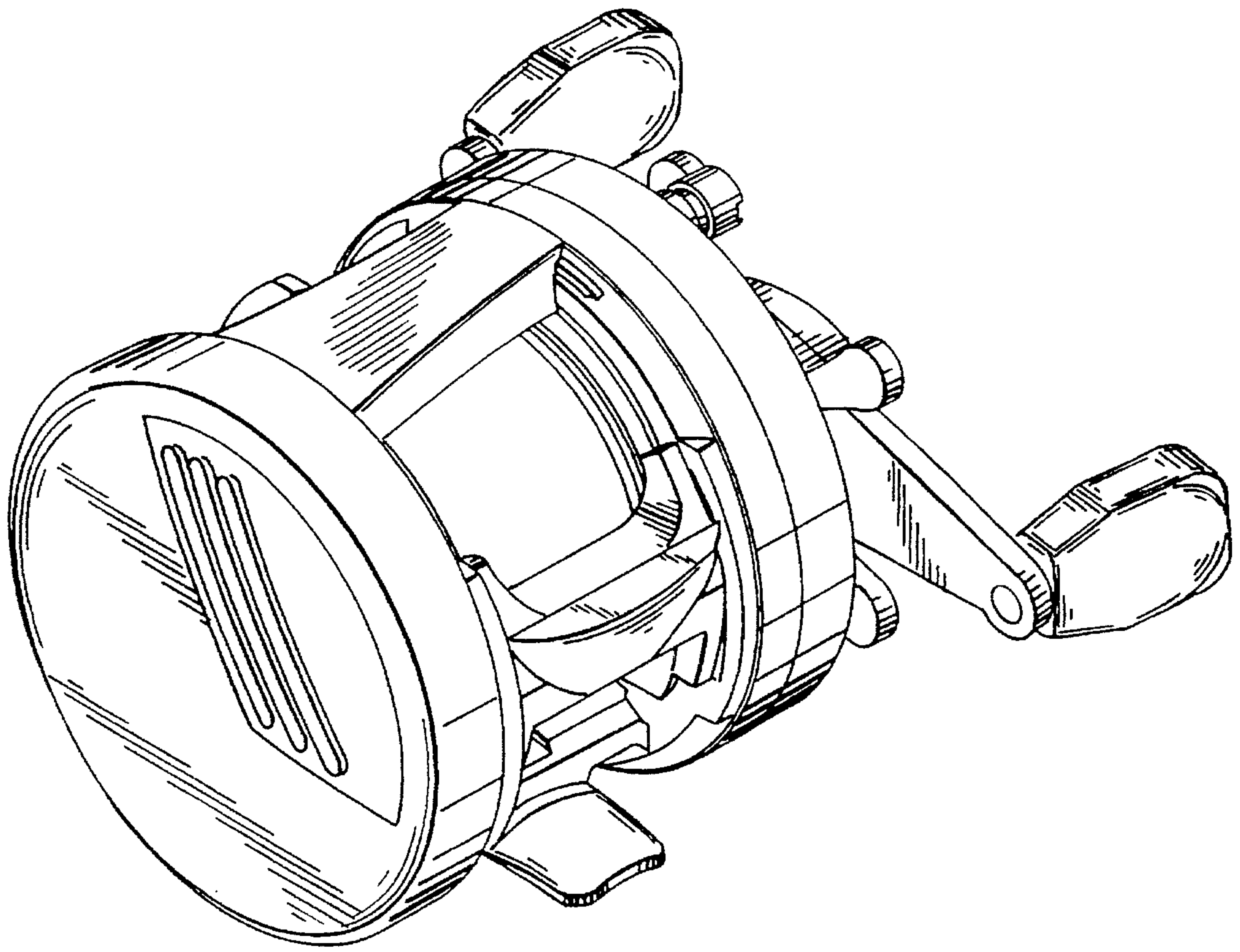


FIG. 6

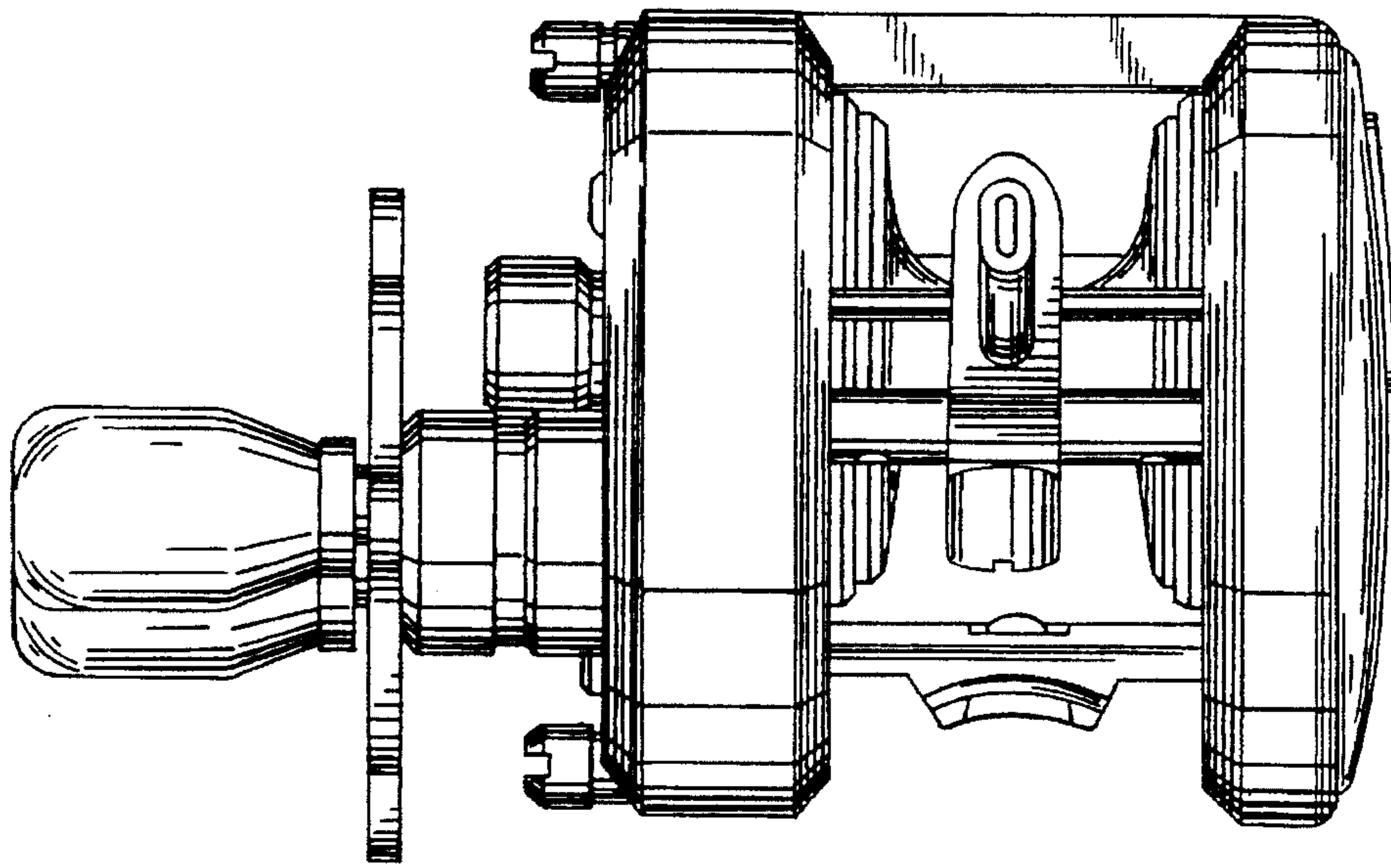


FIG. 7

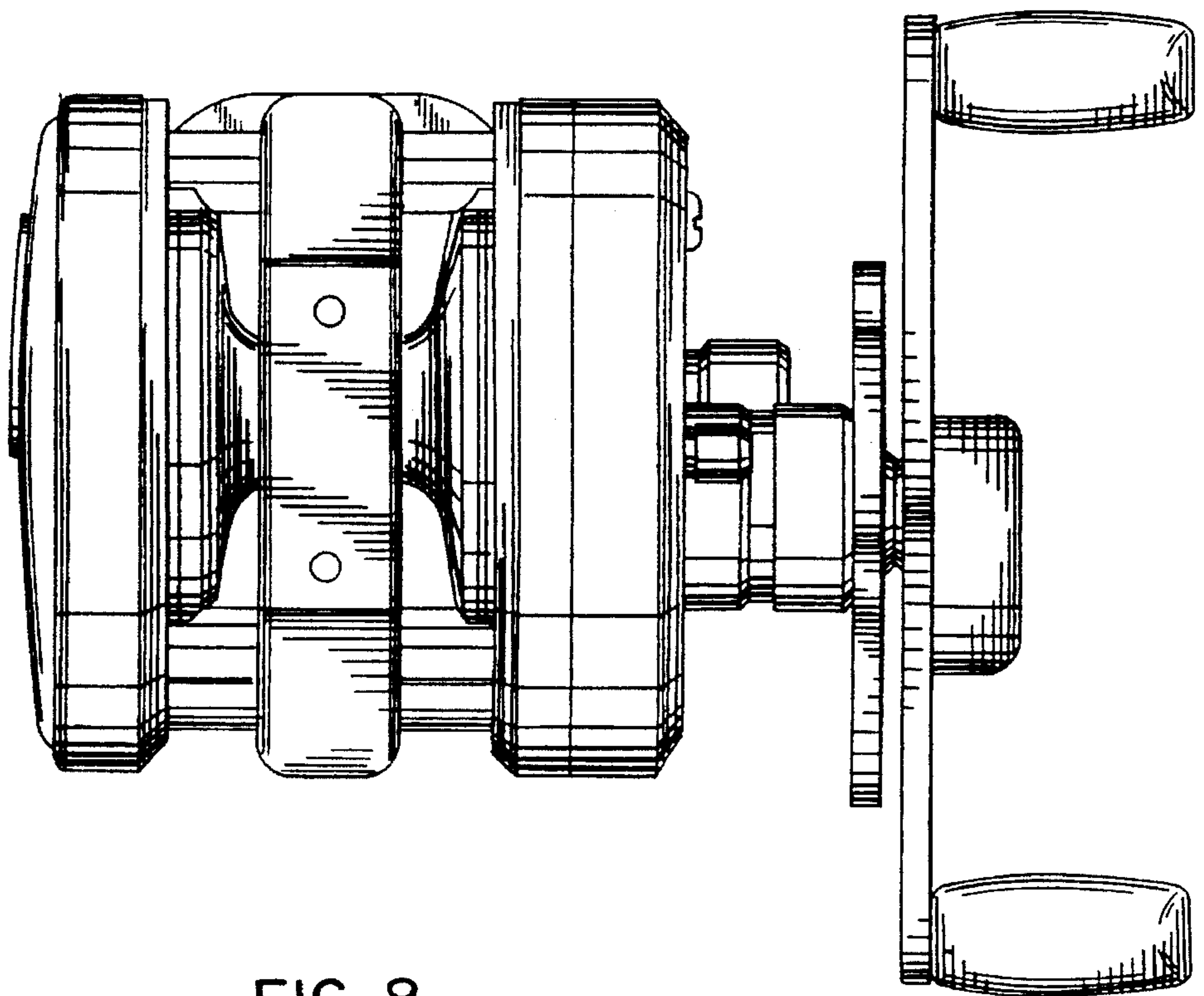


FIG. 8