



US00D367513S

# United States Patent [19]

**Blumberg**

[11] **Patent Number: Des. 367,513**

[45] **Date of Patent: \*\*Feb. 27, 1996**

[54] **COMBINED KNIFE AND SCABBARD**

[76] Inventor: **Richard A. Blumberg**, 5700 Santa Cruz Rd., Atascadero, Calif. 93422-1443

[\*\*] Term: **14 Years**

[21] Appl. No.: **17,801**

[22] Filed: **Jan. 24, 1994**

[52] U.S. Cl. .... **D22/118**

[58] Field of Search ..... D22/118; D3/220; 30/339, 143, 162, 151, 342, 163; 224/232, 253, 242, 252, 230

[56] **References Cited**

**U.S. PATENT DOCUMENTS**

D. 321,548	11/1991	Collins	.....	D22/118
3,576,278	4/1971	Eastman	.	
3,958,330	5/1976	Hutchens	.....	D22/118 X
4,211,003	7/1980	Collins	.....	30/162
4,263,714	4/1981	Todd, Sr.	.....	D3/220 X
4,326,652	4/1982	Fortenberry	.....	D3/220 X

4,404,747	9/1983	Collins	.....	30/151
4,856,192	8/1989	Collins	.....	30/151
5,146,684	9/1992	Hagler	.....	30/162
5,155,911	10/1992	Collins	.....	30/162

*Primary Examiner*—Doris V. Coles

[57] **CLAIM**

The ornamental design for the combined knife and scabbard, as shown and described.

**DESCRIPTION**

FIG. 1 is a front elevational view of the combined knife and scabbard showing my new design;  
 FIG. 2 is a rear elevational view thereof;  
 FIG. 3 is a left side elevational view thereof;  
 FIG. 4 is a right side elevational view thereof;  
 FIG. 5 is a top plan view thereof;  
 FIG. 6 is a bottom plan view thereof; and,  
 FIG. 7 is a front elevational view thereof showing the knife inside the scabbard.  
 The scallops on the knife scabbard in FIG. 1 represent tooling on the surface of the leather.

**1 Claim, 4 Drawing Sheets**

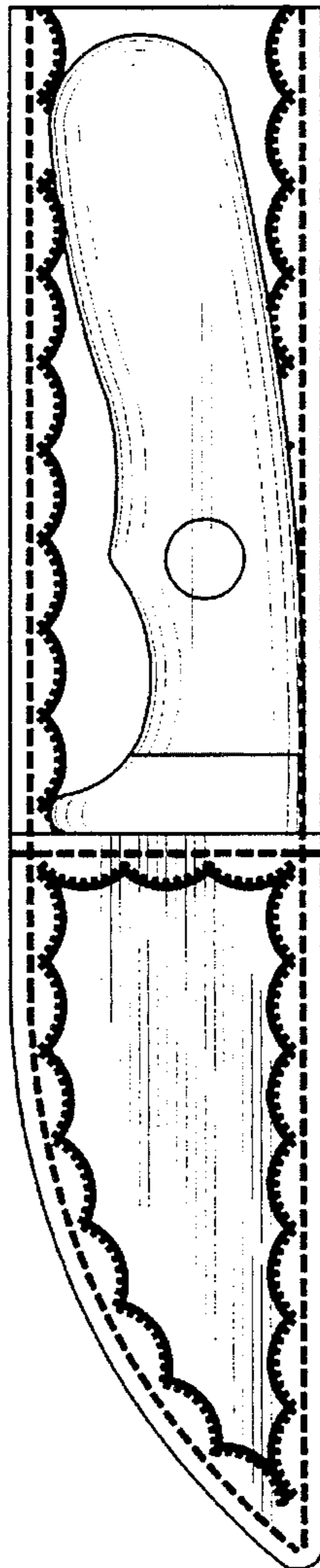


FIG. 1

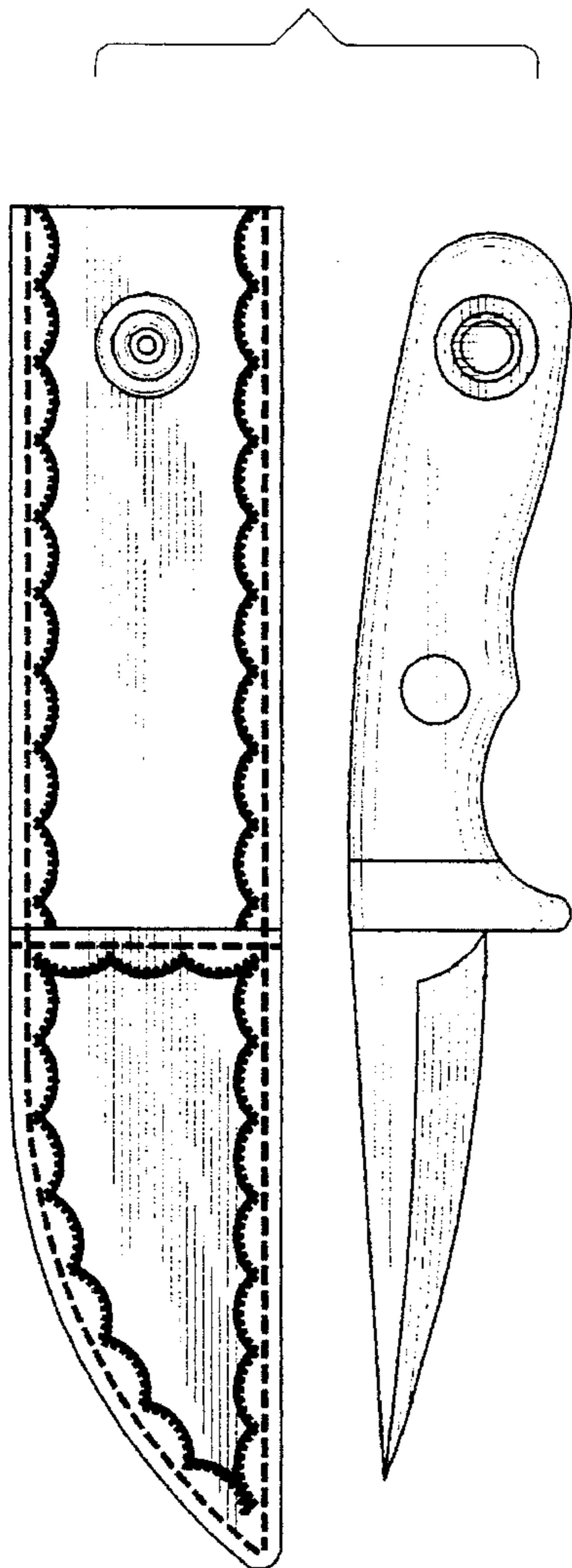


FIG. 2

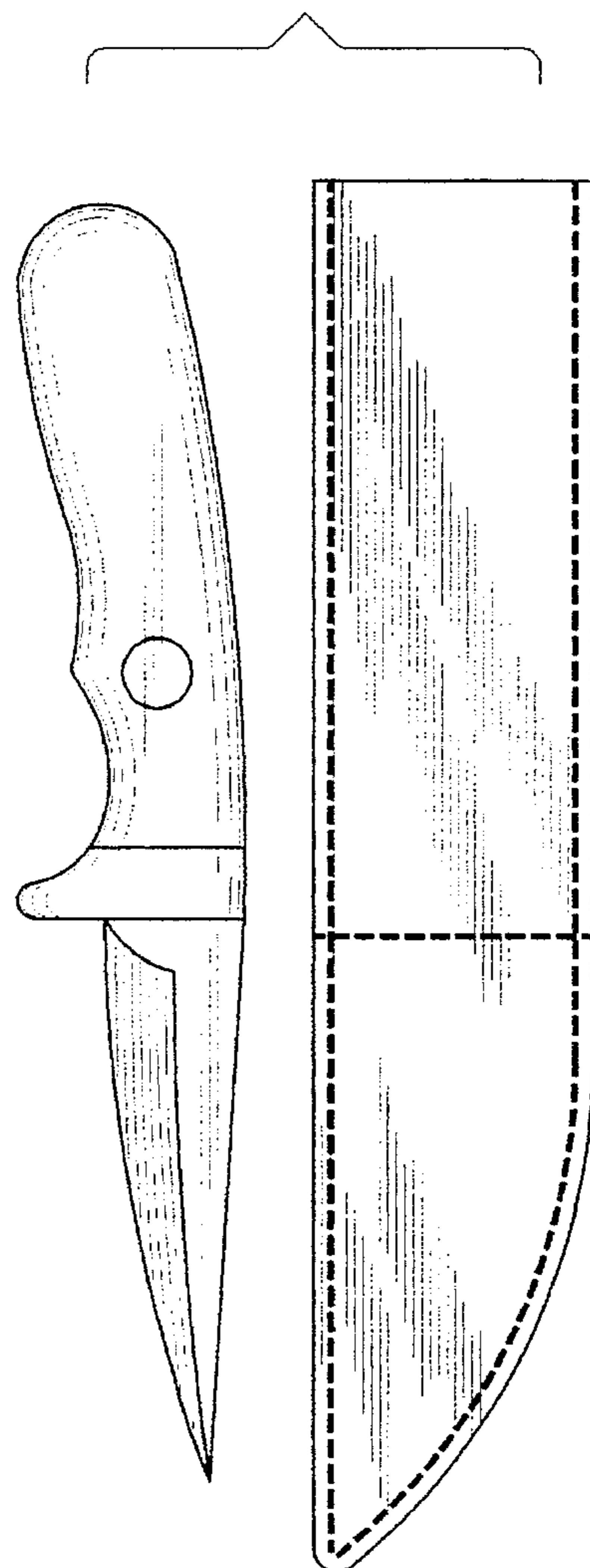


FIG. 3

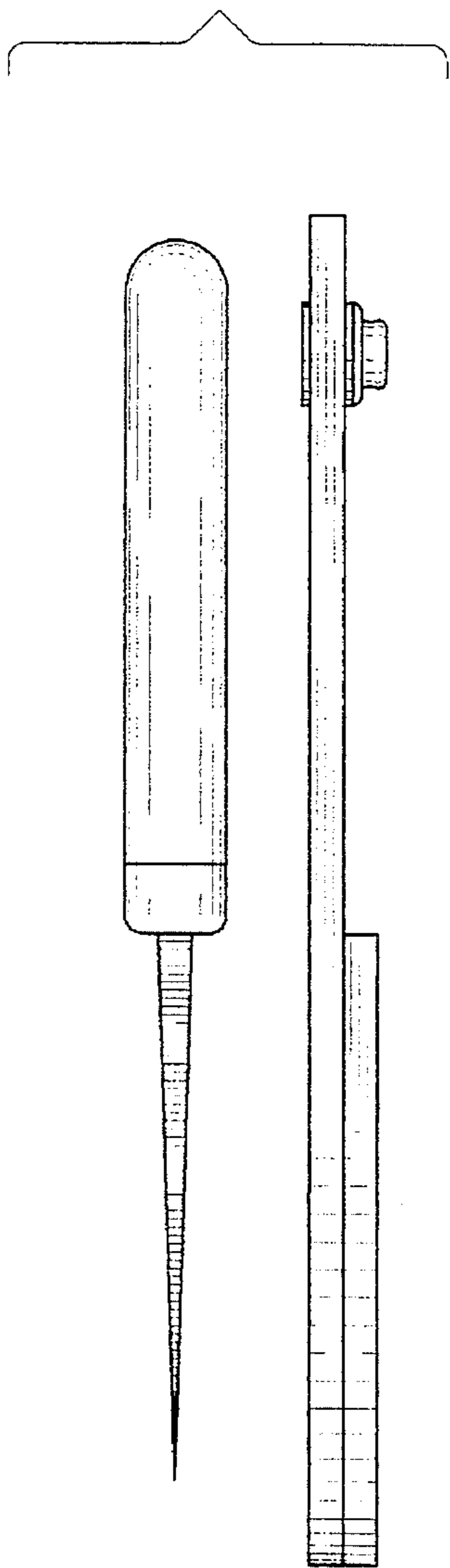


FIG. 4

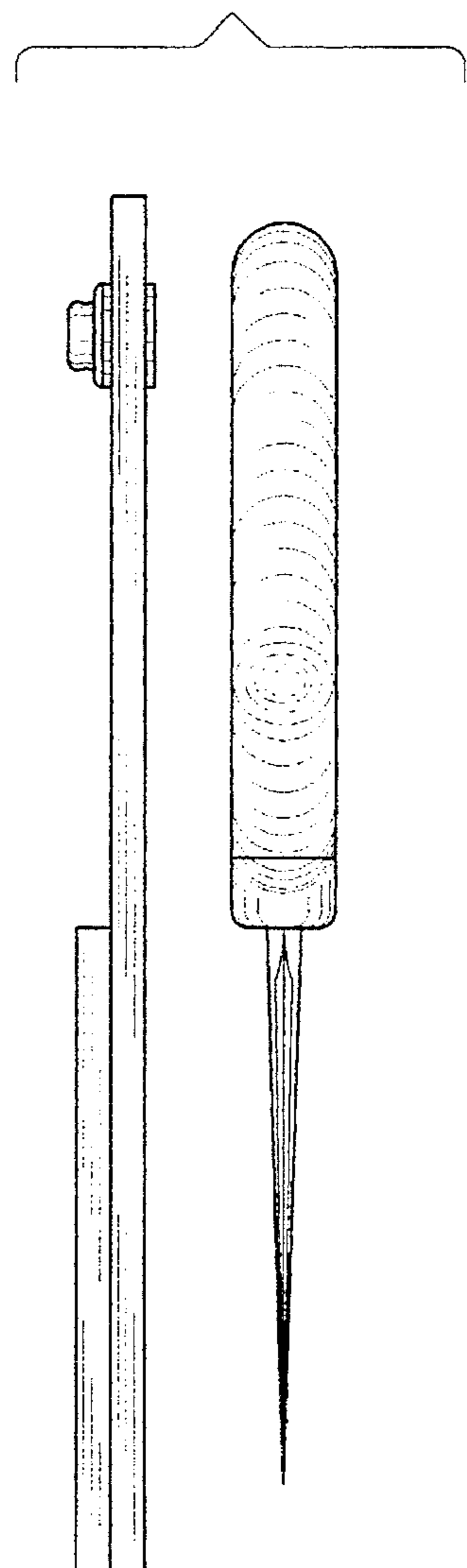


FIG. 5

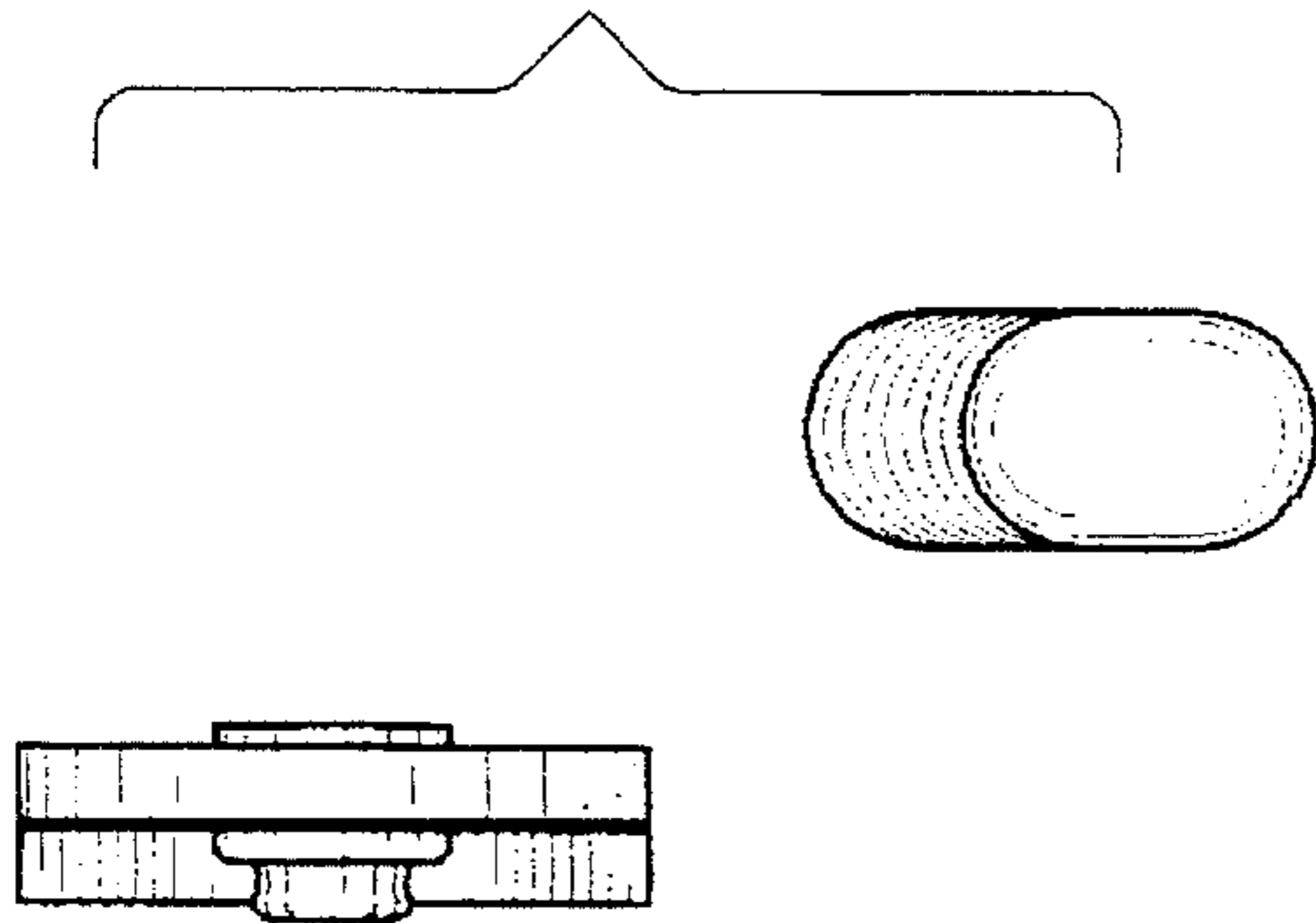


FIG. 6

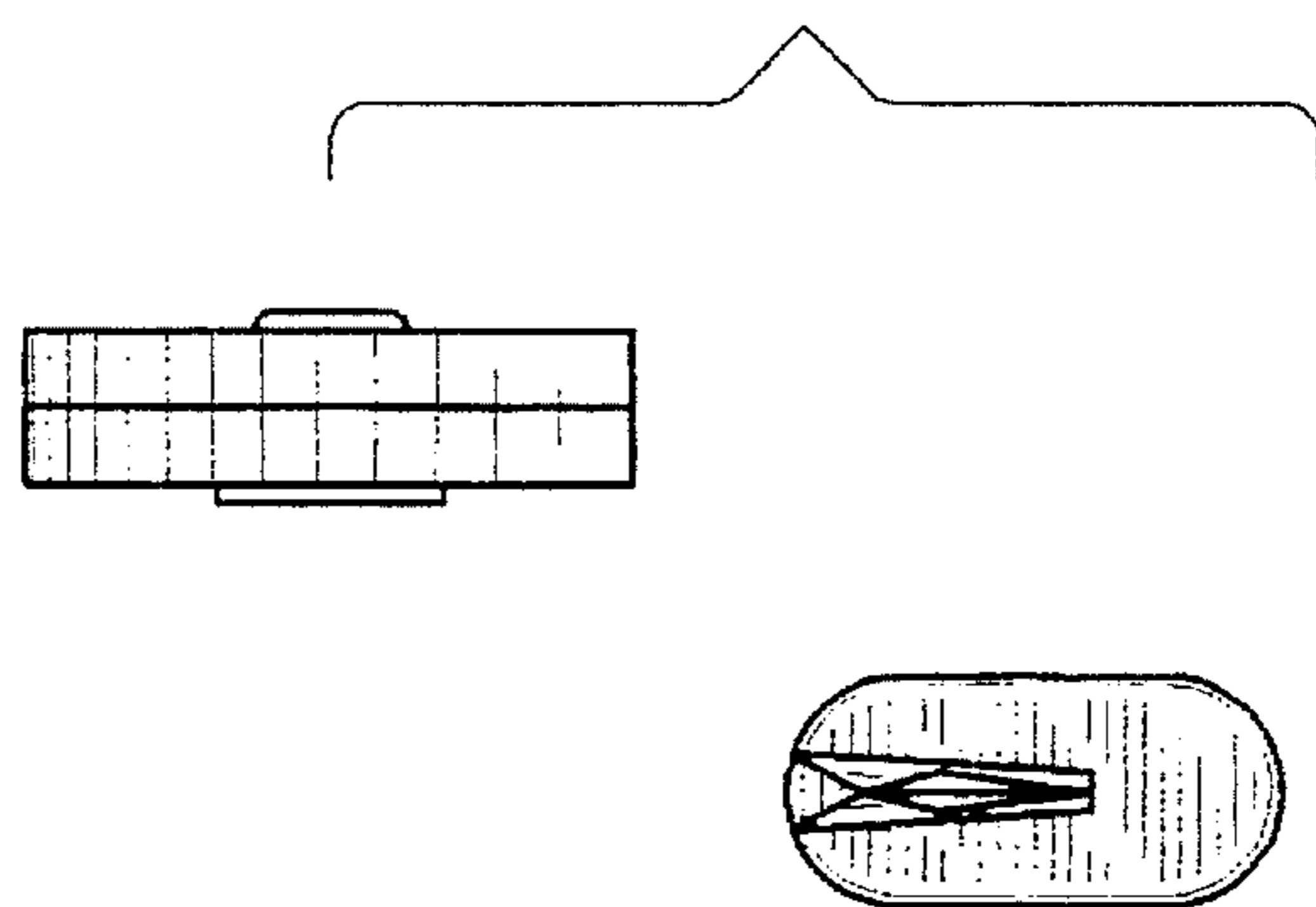


FIG. 7

