



US00D367509S

United States Patent [19]

[11] Patent Number: **Des. 367,509**

Anthony, Jr.

[45] Date of Patent: ****Feb. 27, 1996**

[54] **AQUATIC EXERCISER**

4,813,668	3/1989	Solloway	482/111
4,973,049	11/1990	Ciolino	482/111
4,988,094	1/1991	Beasley	482/111

[76] Inventor: **Guy M. Anthony, Jr.**, 16835 Algonquin St. #633, Huntington Beach, Calif. 92699

Primary Examiner—Ted Shooman
Assistant Examiner—Philip Hyder
Attorney, Agent, or Firm—Thomas W. Tolpin

[**] Term: **14 Years**

[57] **CLAIM**

[21] Appl. No.: **28,146**

The ornamental design for an aquatic exerciser, as shown.

[22] Filed: **Sep. 8, 1994**

[52] U.S. Cl. **D21/196**

DESCRIPTION

[58] Field of Search D21/191, 196, D21/198; 482/108, 111; 441/60, 61, 59

FIG. 1 is a perspective view of an aquatic exerciser showing my new design;

[56] **References Cited**

U.S. PATENT DOCUMENTS

D. 306,329	2/1990	Solloway	D21/191
4,411,422	10/1983	Solloway	482/111
4,521,011	6/1985	Solloway	482/111
4,565,369	1/1986	Bedgood	482/111
4,721,300	1/1988	Guzman	482/111

FIG. 2 is a top view thereof;
FIG. 3 is a front view thereof;
FIG. 4 is a back view thereof;
FIG. 5 is a bottom view thereof;
FIG. 6 is a left side view thereof; and,
FIG. 7 is a right side view thereof.

1 Claim, 4 Drawing Sheets

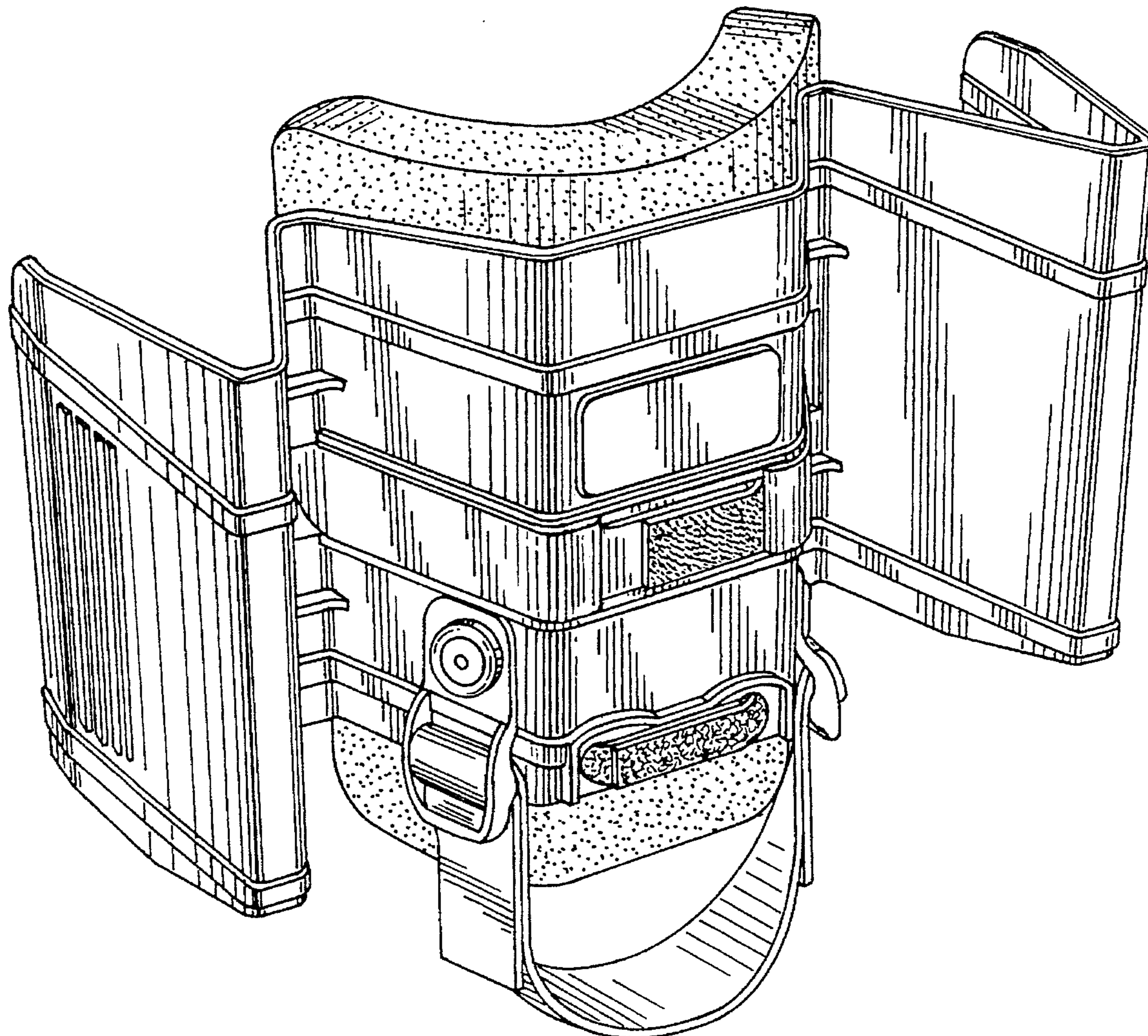


FIG. 1

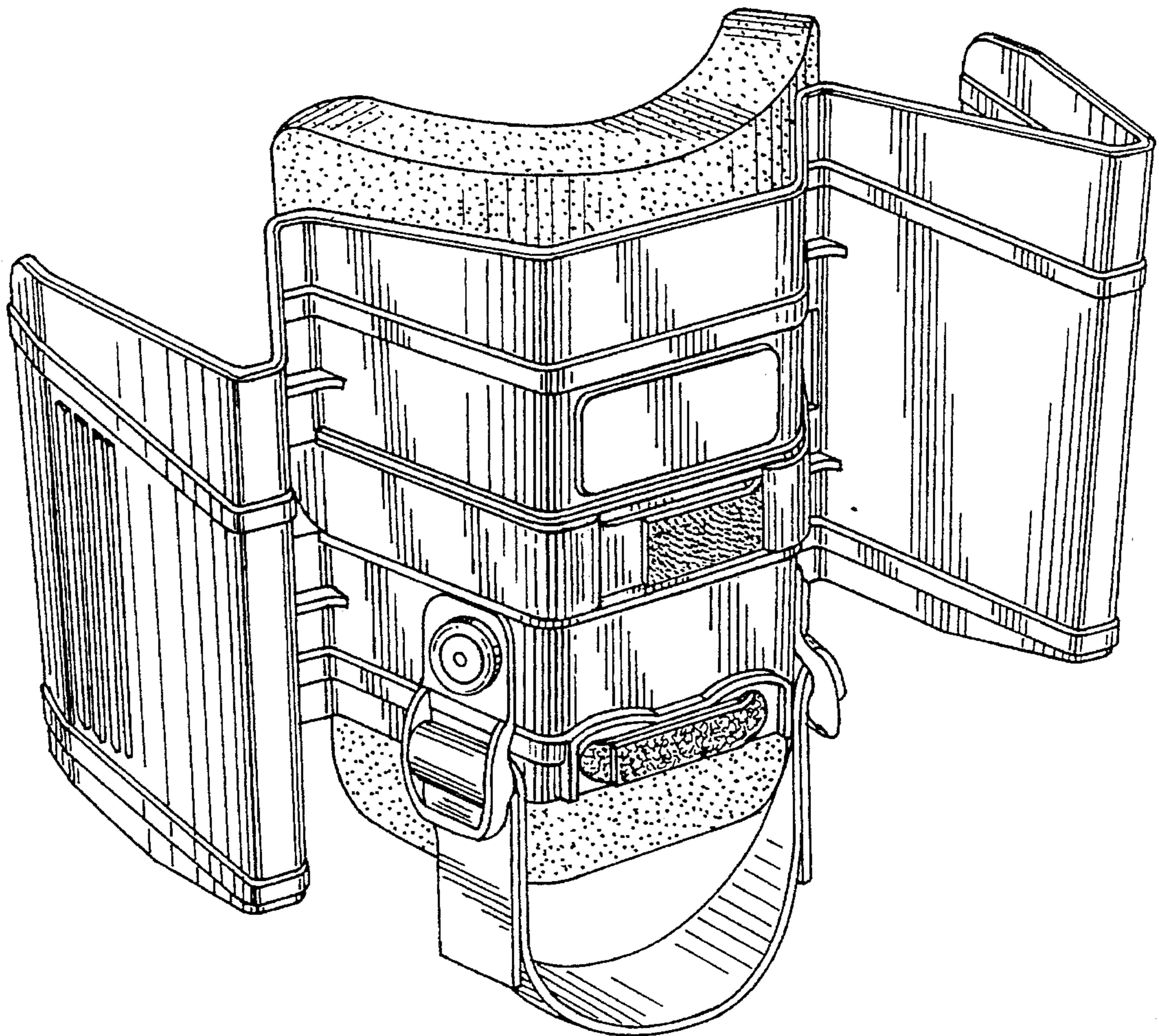


FIG. 2

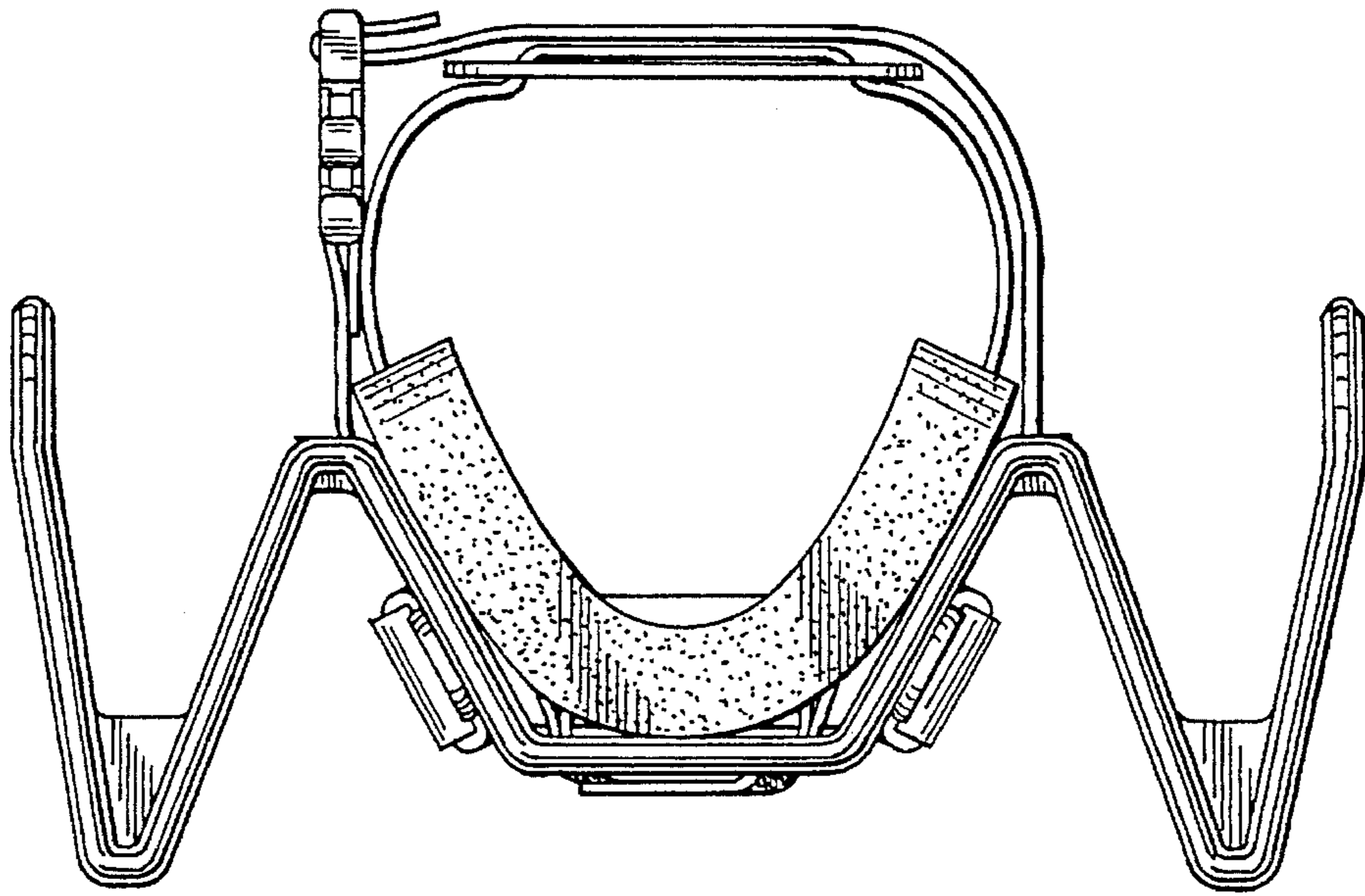


FIG. 3

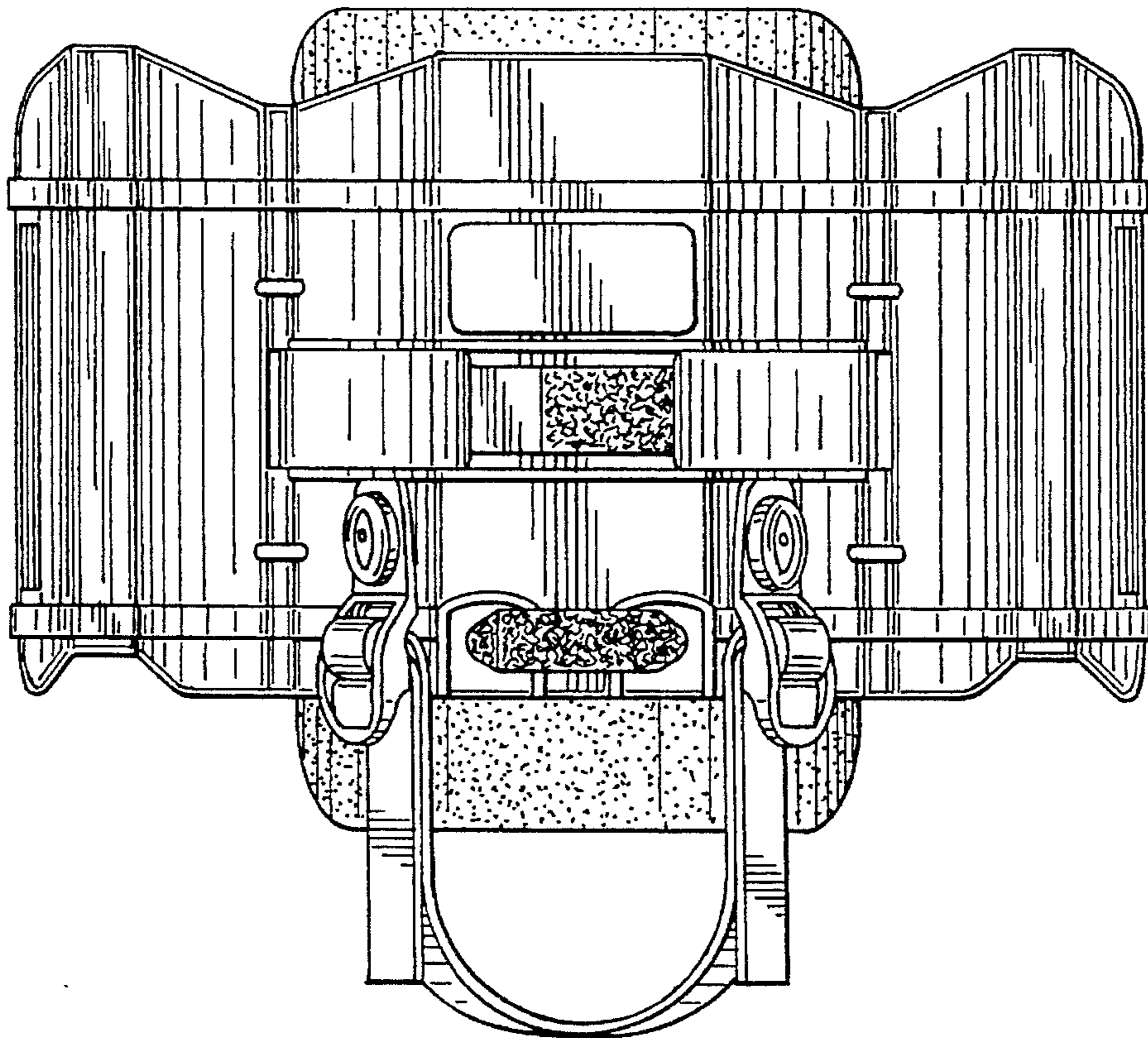


FIG.4

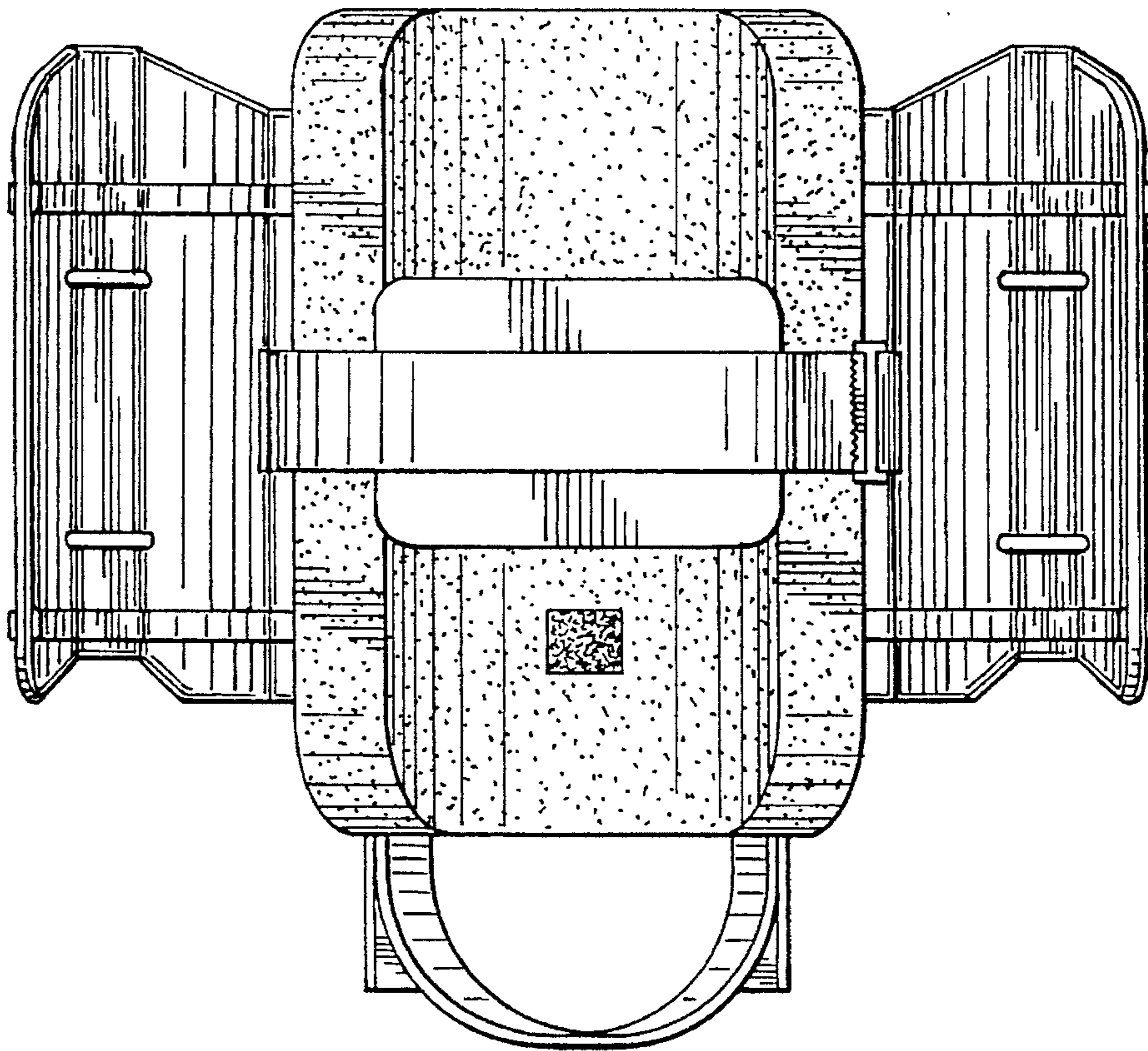


FIG.5

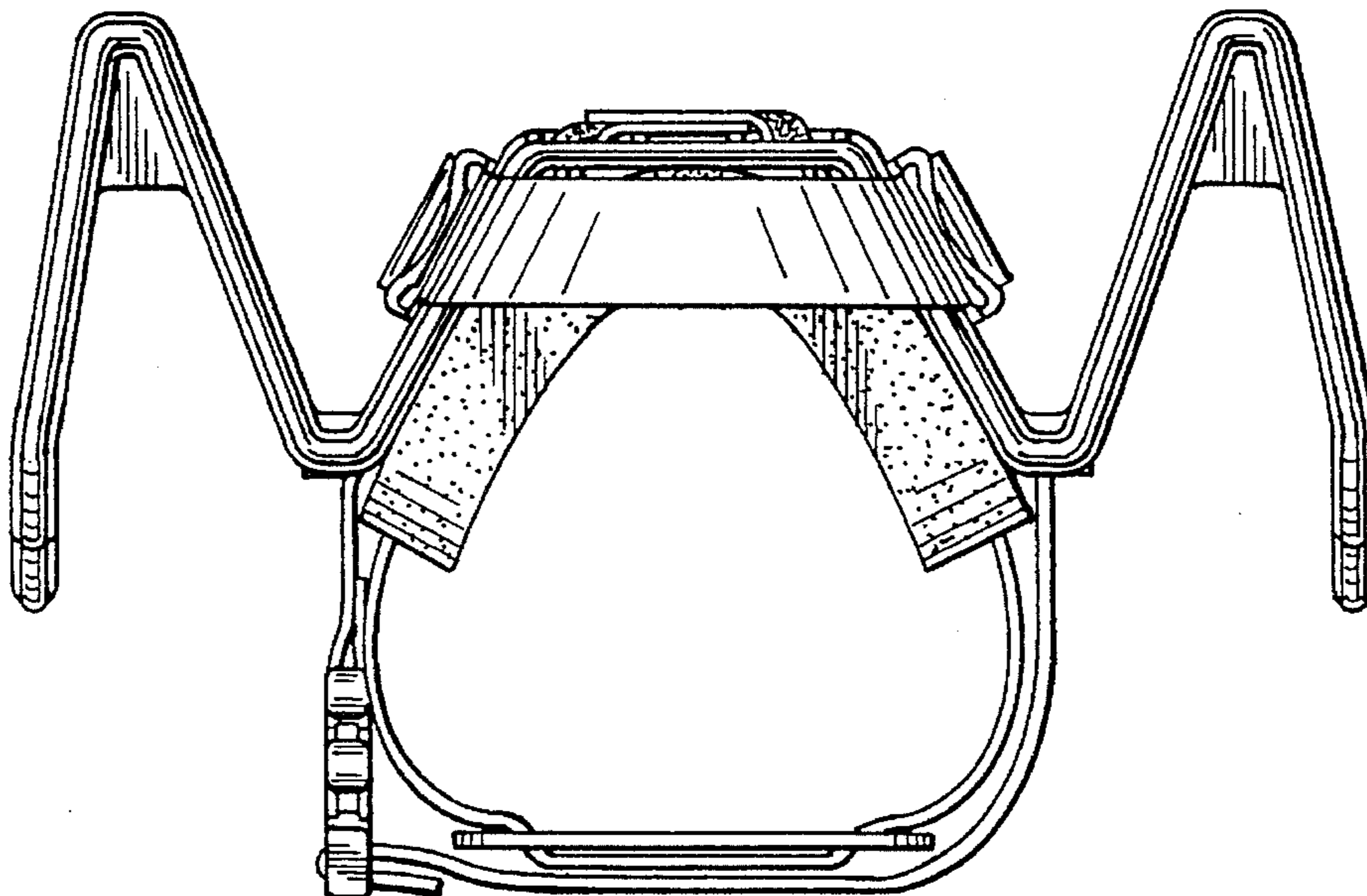


FIG.6

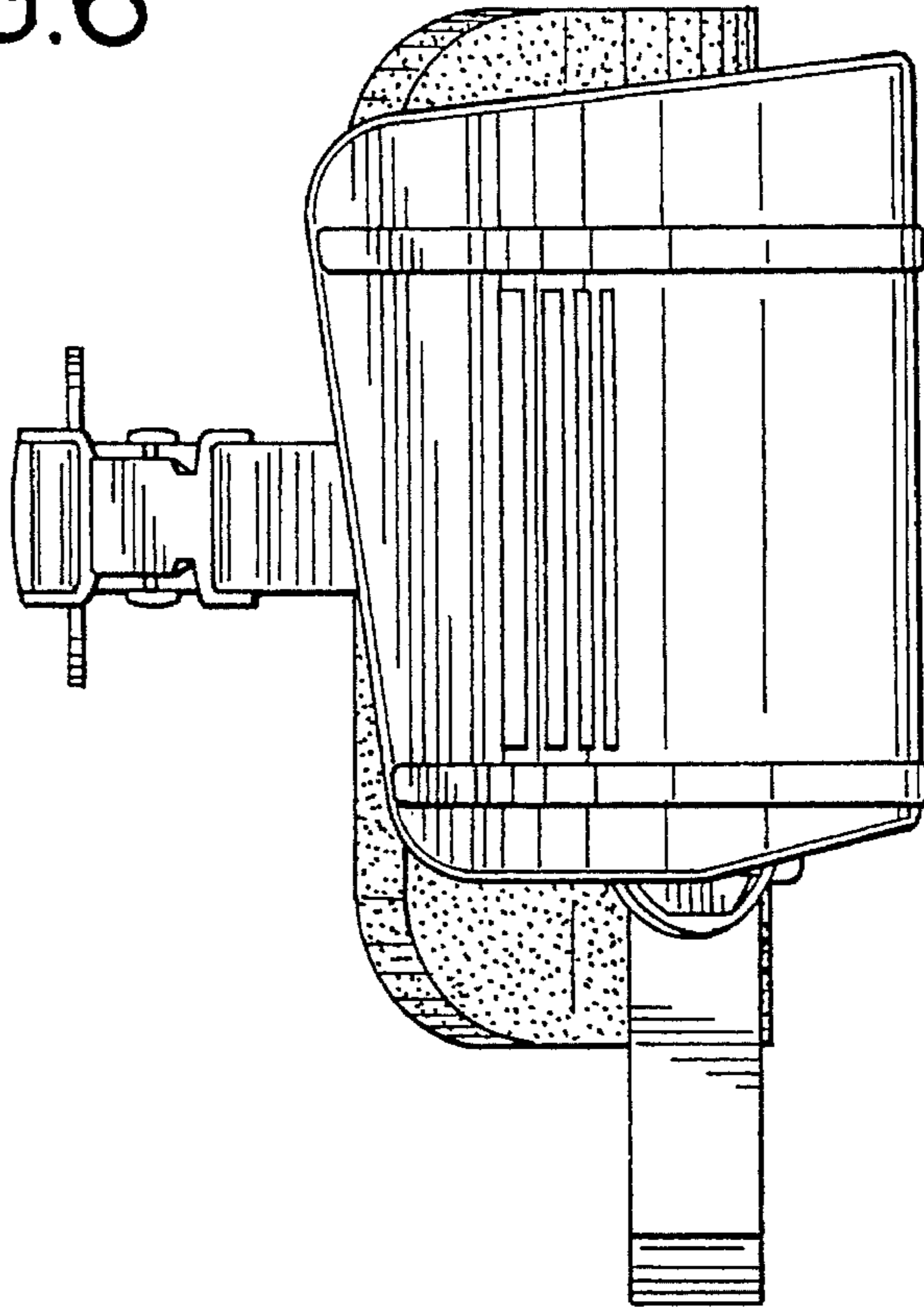


FIG.7

