



US00D367508S

United States Patent [19]

Dreissigacker et al.

[11] Patent Number: **Des. 367,508**

[45] Date of Patent: ****Feb. 27, 1996**

[54] **ROWING MACHINE**

[75] Inventors: **Richard A. Dreissigacker**, Morrisville;
Peter D. Dreissigacker, Stowe;
Jonathan V. Williams, Waterbury
Center, all of Vt.

[73] Assignee: **Concept II, Inc.**, Morrisville, Vt.

[**] Term: **14 Years**

[21] Appl. No.: **19,293**

[22] Filed: **Feb. 28, 1994**

[52] U.S. Cl. **D21/191**

[58] Field of Search 482/57, 58, 59,
482/72, 73; D21/191, 192, 194, 195

[56] **References Cited**

U.S. PATENT DOCUMENTS

1,950,896	3/1934	Luzzi	482/72
2,733,065	1/1956	Barkschat	482/79
3,472,508	10/1969	Baker et al.	482/79
3,802,700	4/1974	Mayo	601/27
4,263,902	4/1981	Dieterich	601/27
4,337,939	7/1982	Hoyle et al.	482/72
4,346,886	8/1982	Cox et al.	482/72
4,396,188	8/1983	Dreissigacker et al.	272/72
4,875,674	10/1989	Dreissigacker et al.	272/72

4,880,224	11/1989	Jonas et al.	482/72
4,884,800	12/1989	Duke	482/73
4,997,181	3/1991	Lo	482/73
5,072,929	12/1991	Peterson et al.	482/72
5,094,446	3/1992	Wiedner	272/72
5,110,118	5/1992	Winey	482/73

OTHER PUBLICATIONS

Concept II Model C Rowing Ergometer Brochure, 1993.

Primary Examiner—Ted Shooman

Assistant Examiner—Philip Hyder

Attorney, Agent, or Firm—Fish & Richardson

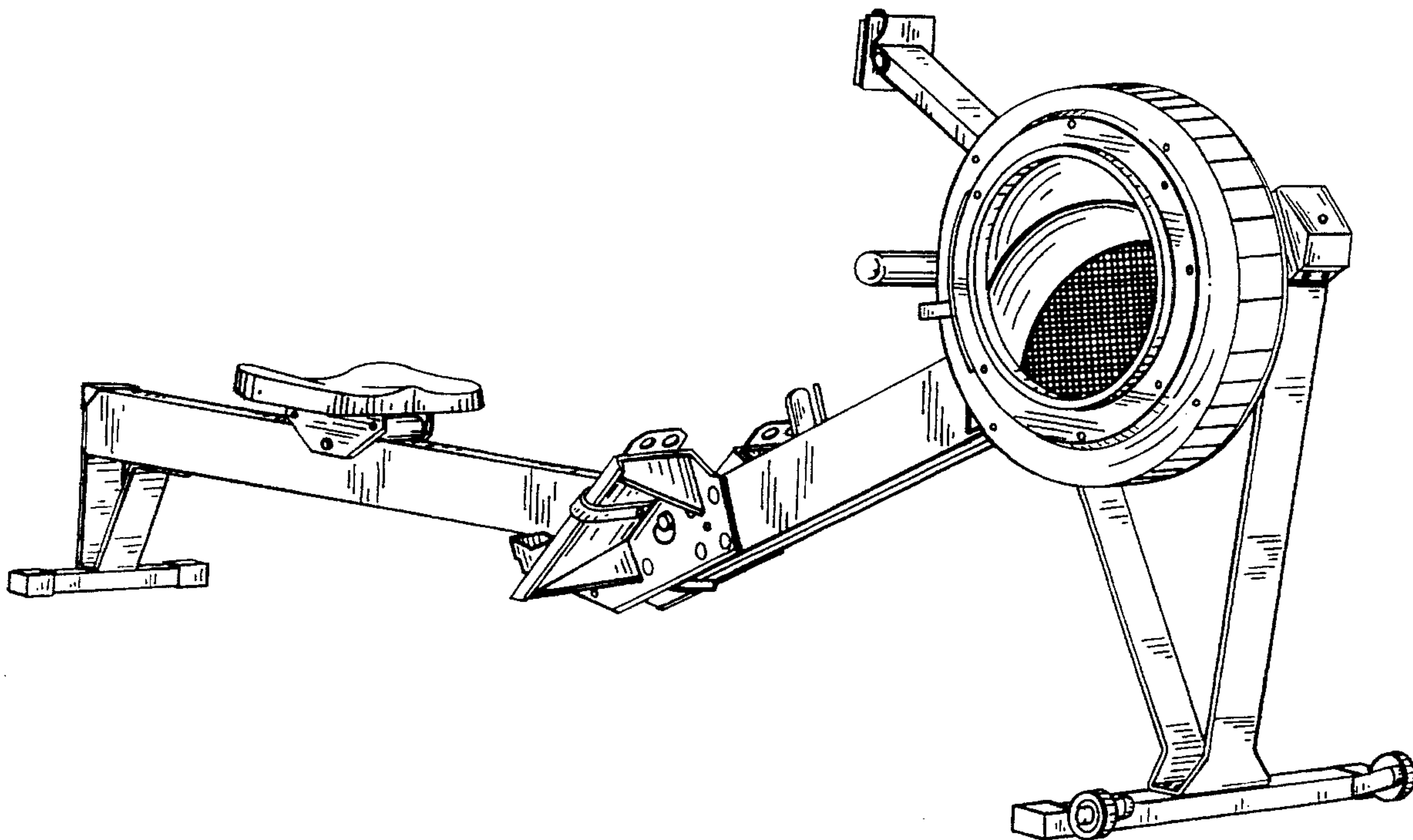
[57] **CLAIM**

The ornamental design for a rowing machine, as shown and described.

DESCRIPTION

FIG. 1 is a perspective view;
FIG. 2 is a right side view;
FIG. 3 is a left side view;
FIG. 4 is a top view;
FIG. 5 is a bottom view;
FIG. 6 is an enlarged front view; and,
FIG. 7 is an enlarged rear view.

1 Claim, 4 Drawing Sheets



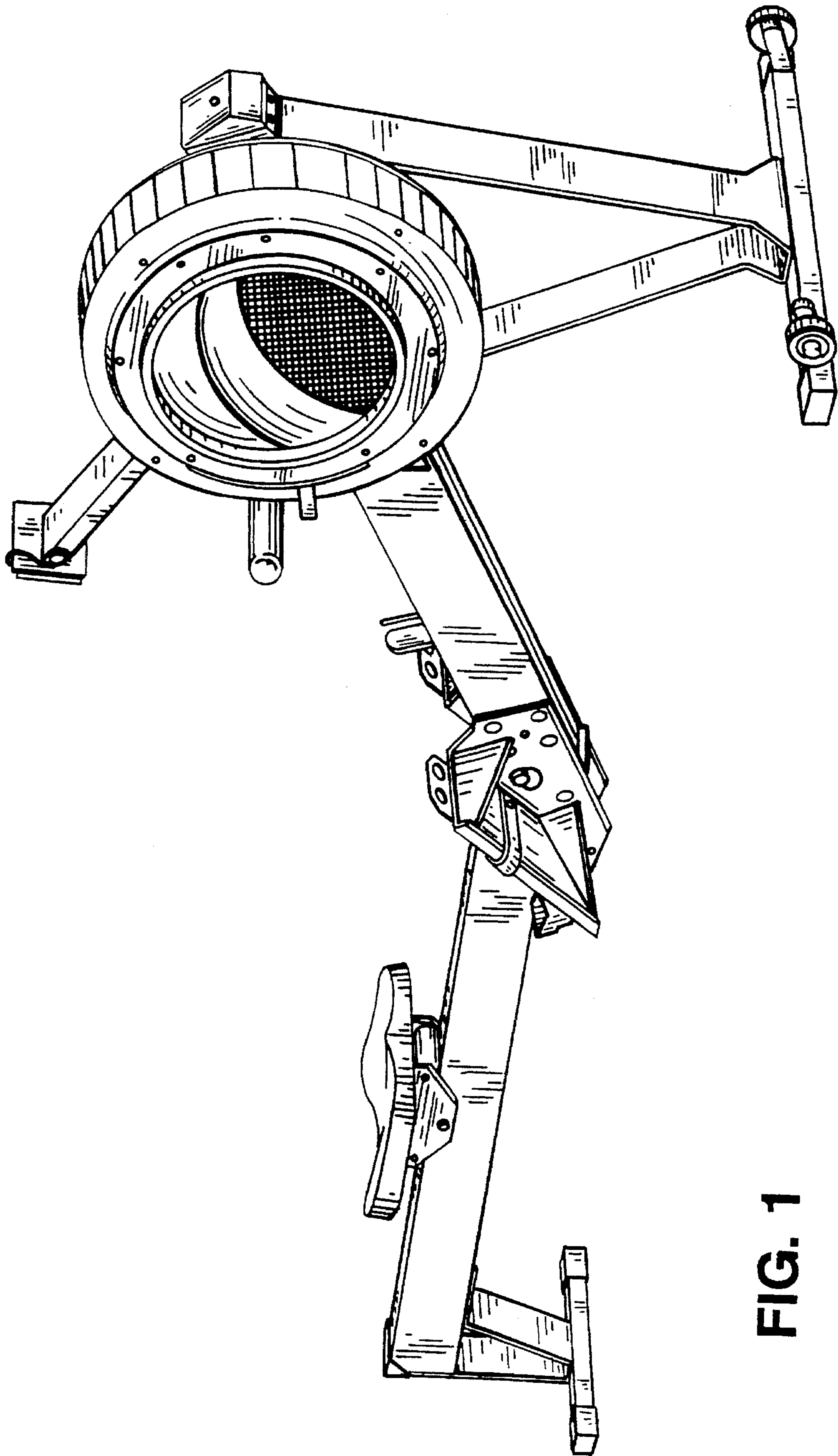


FIG. 1

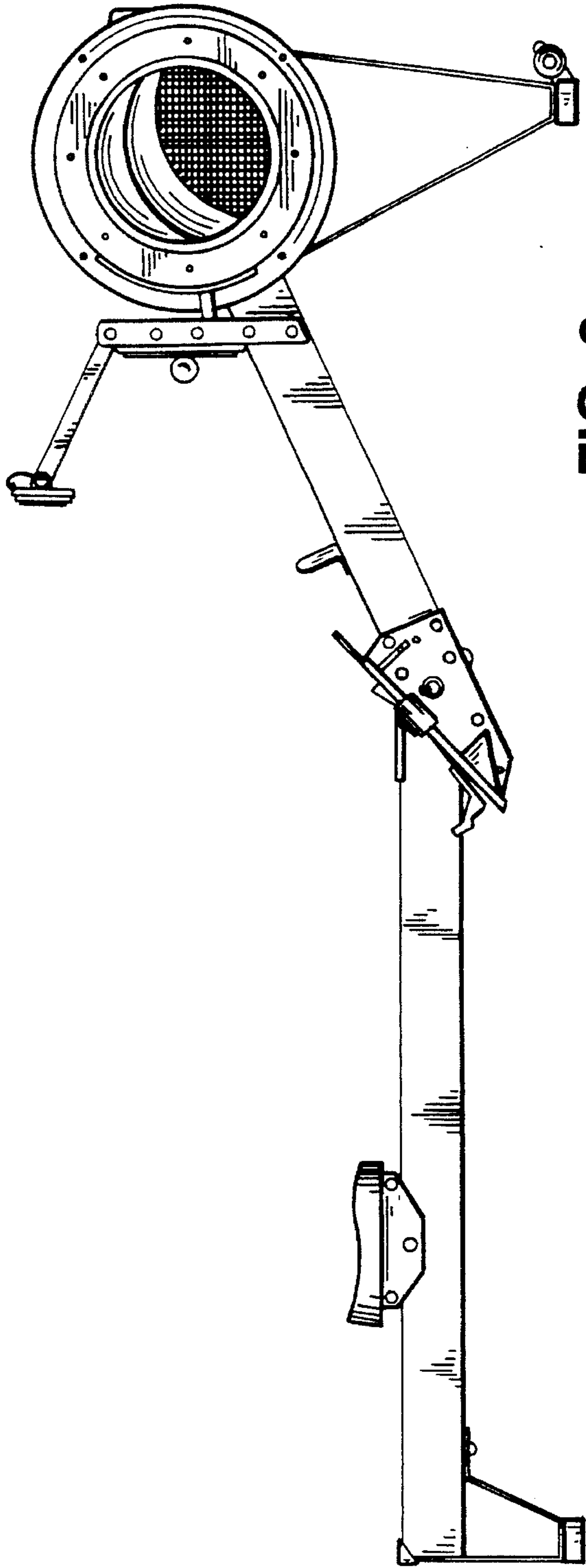


FIG. 2

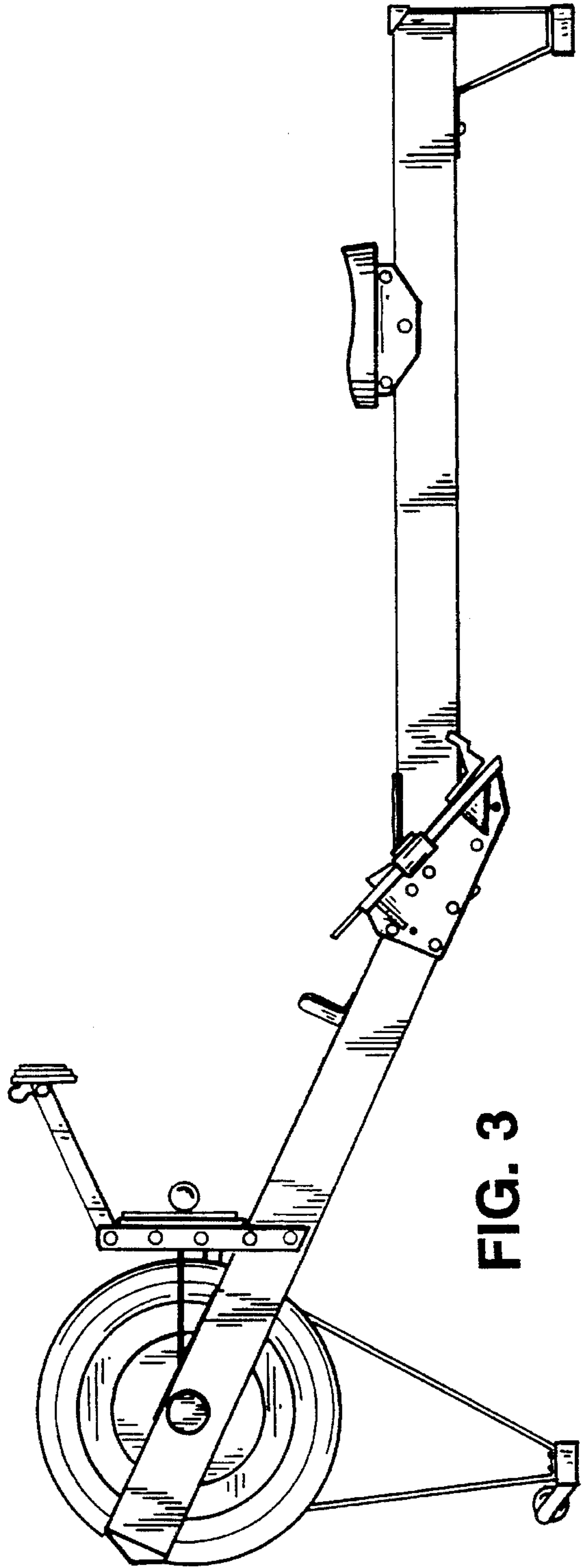


FIG. 3

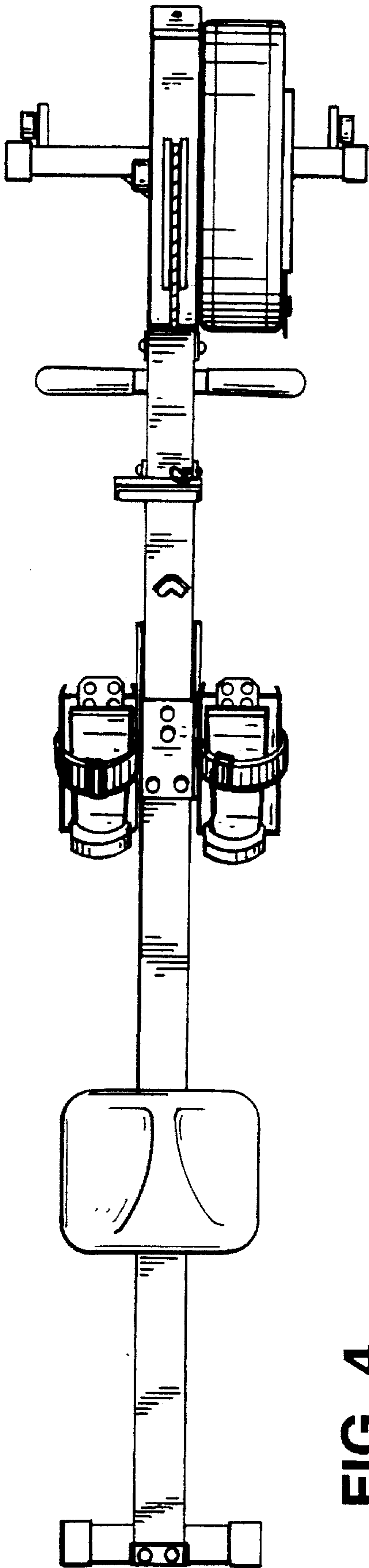


FIG. 4

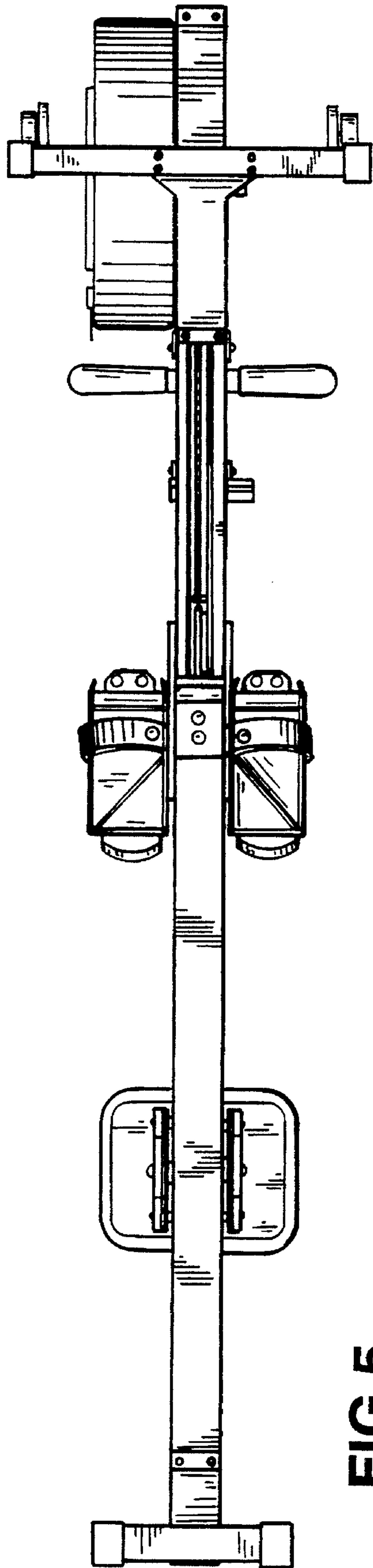


FIG. 5

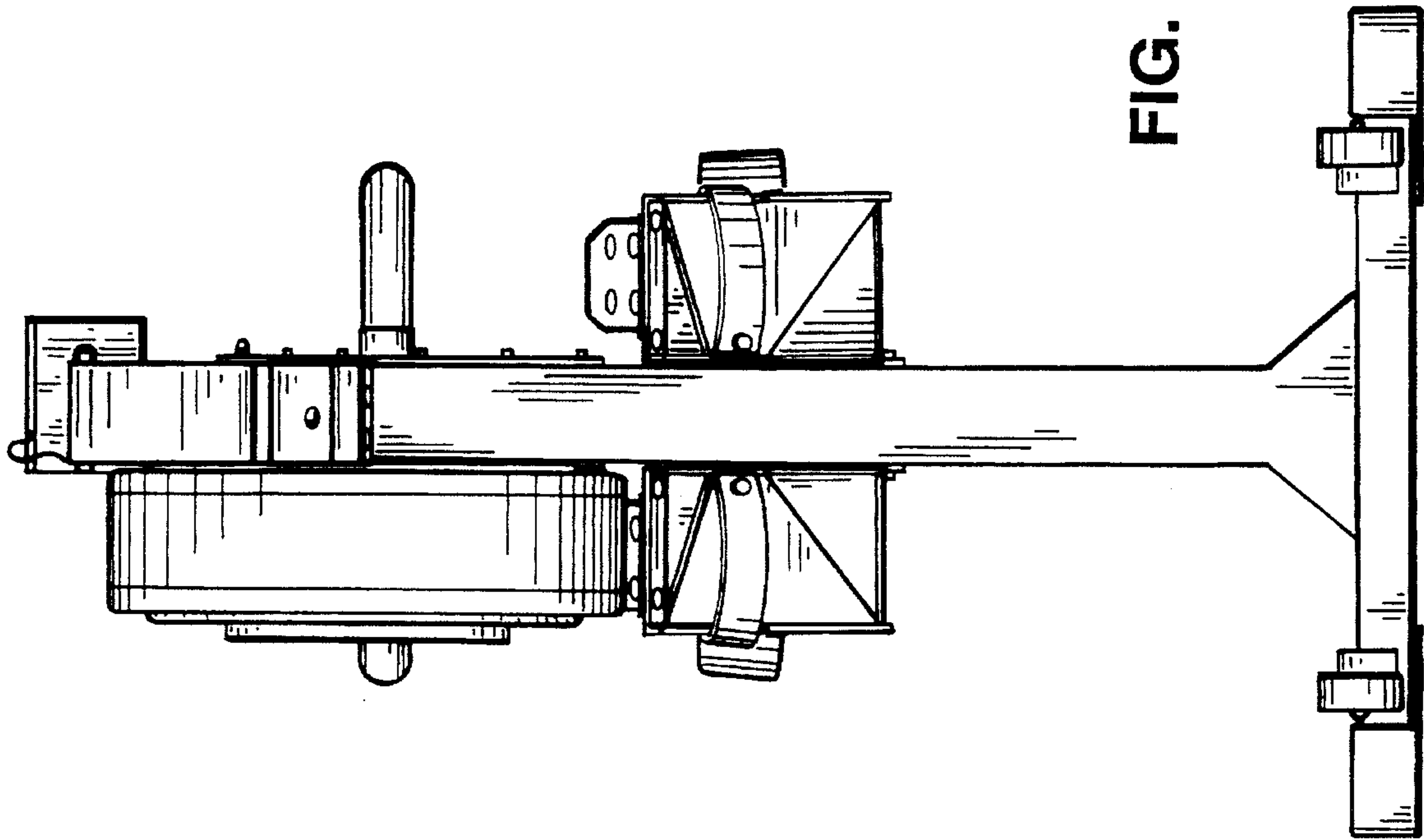


FIG. 6

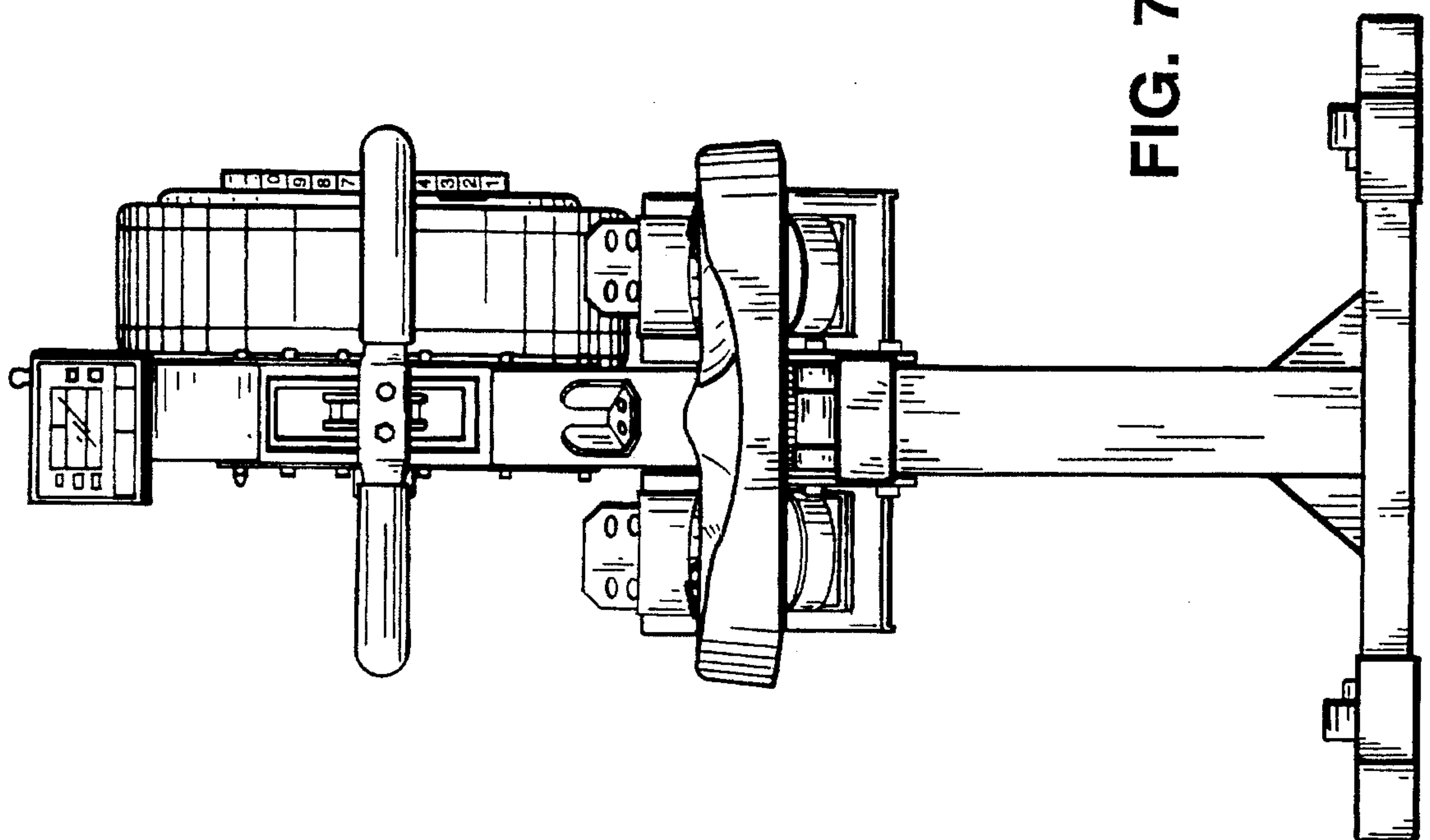


FIG. 7