



US00D367501S

United States Patent [19]

[11] **Patent Number: Des. 367,501**

Molt

[45] **Date of Patent: **Feb. 27, 1996**

[54] **PLAYING CARD HOLDER**

FOREIGN PATENT DOCUMENTS

[76] Inventor: **Robert J. Molt**, 4344 N.E. 96th,
Maywood Park, Oreg. 97220

3801088 8/1988 Germany 273/150

[**] Term: **14 Years**

Primary Examiner—Ted Shooman
Assistant Examiner—Sandra Morris
Attorney, Agent, or Firm—Eugene M. Eckelman

[21] Appl. No.: **26,564**

[57] **CLAIM**

[22] Filed: **Aug. 1, 1994**

The ornamental design for a playing card holder, as shown.

[52] U.S. Cl. **D21/54**

DESCRIPTION

[58] **Field of Search** D21/54-57; 273/148 R,
273/148 A, 150, 236-285; D19/90, 91

FIG. 1 is a perspective view of the playing card holder showing my design;
FIG. 2 is a side edge view taken from the left side of FIG. 1;
FIG. 3 is a top plan view;
FIG. 4 is a front view;
FIG. 5 is a rear view; and,
FIG. 6 is a bottom plan view.

[56] **References Cited**

U.S. PATENT DOCUMENTS

- D. 286,167 10/1986 Greitzer D19/90
- D. 291,900 9/1987 Mortensen D21/54
- D. 353,412 12/1994 Bull et al. D21/54

1 Claim, 1 Drawing Sheet

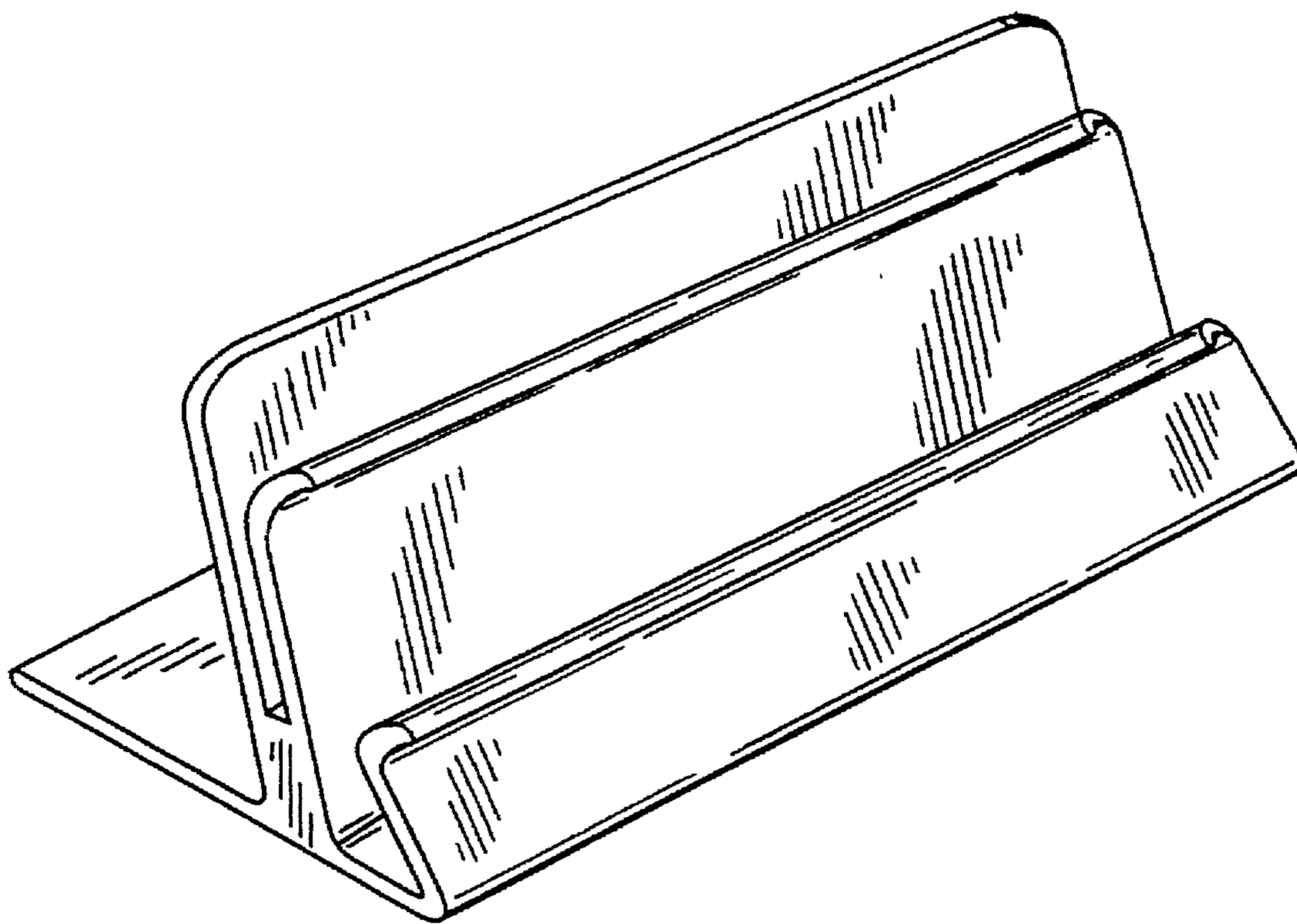


FIG. 1

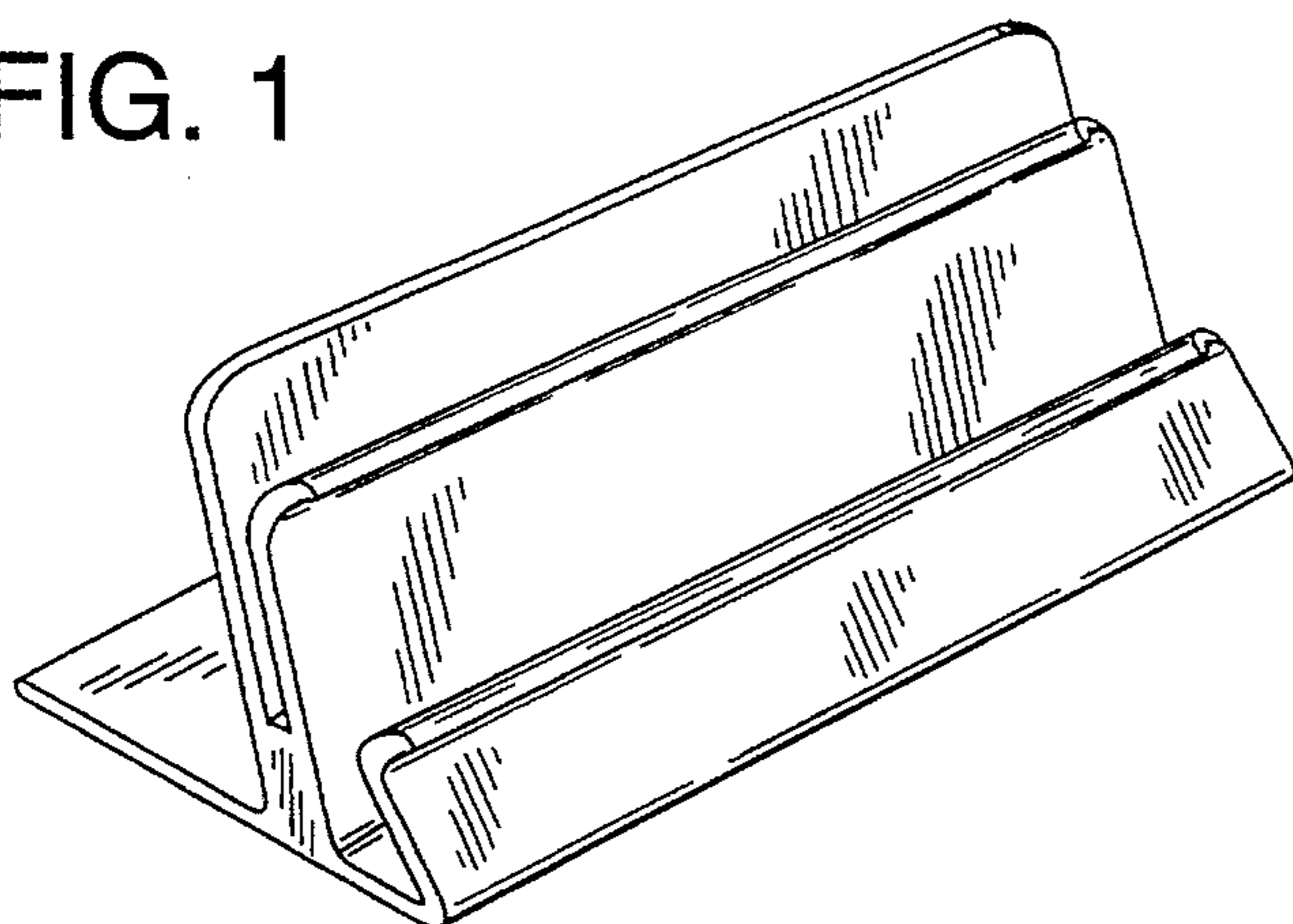


FIG. 2

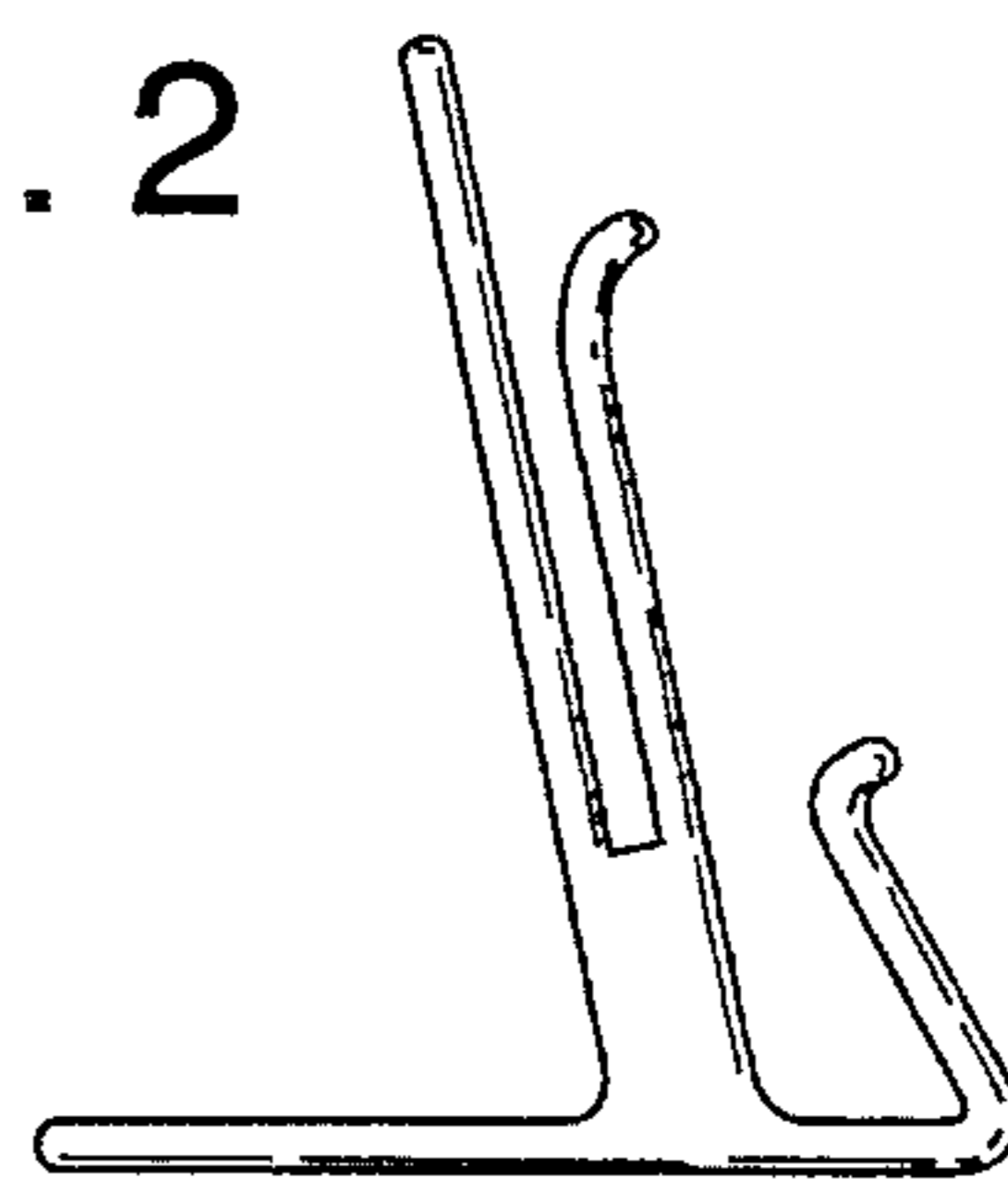


FIG. 3

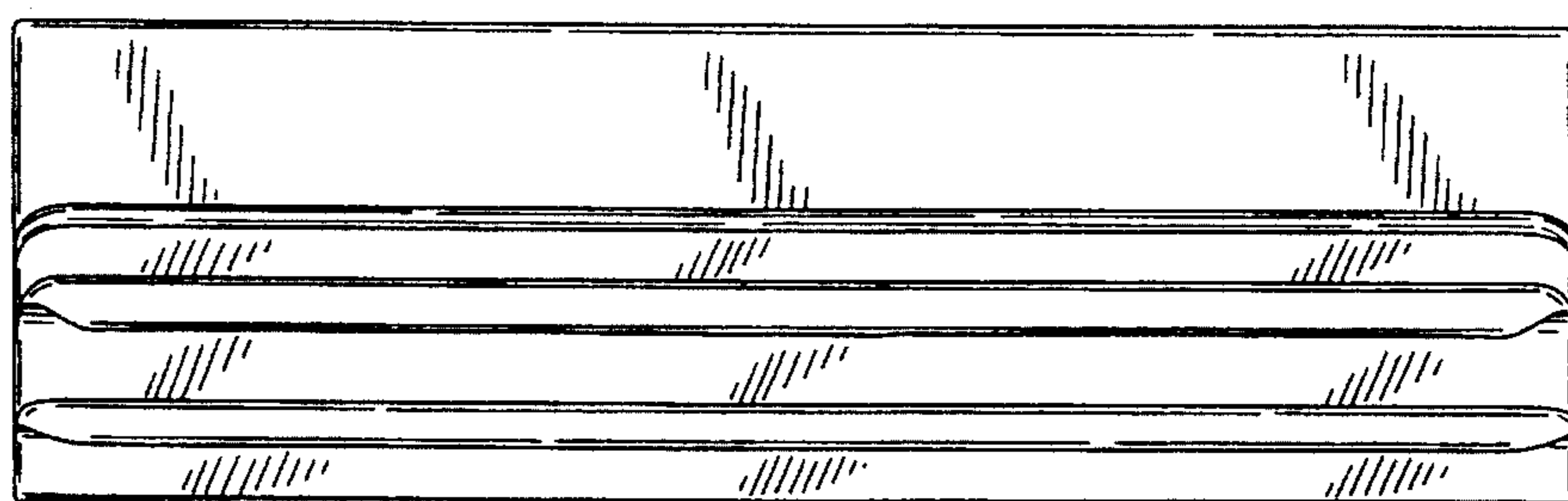


FIG. 4

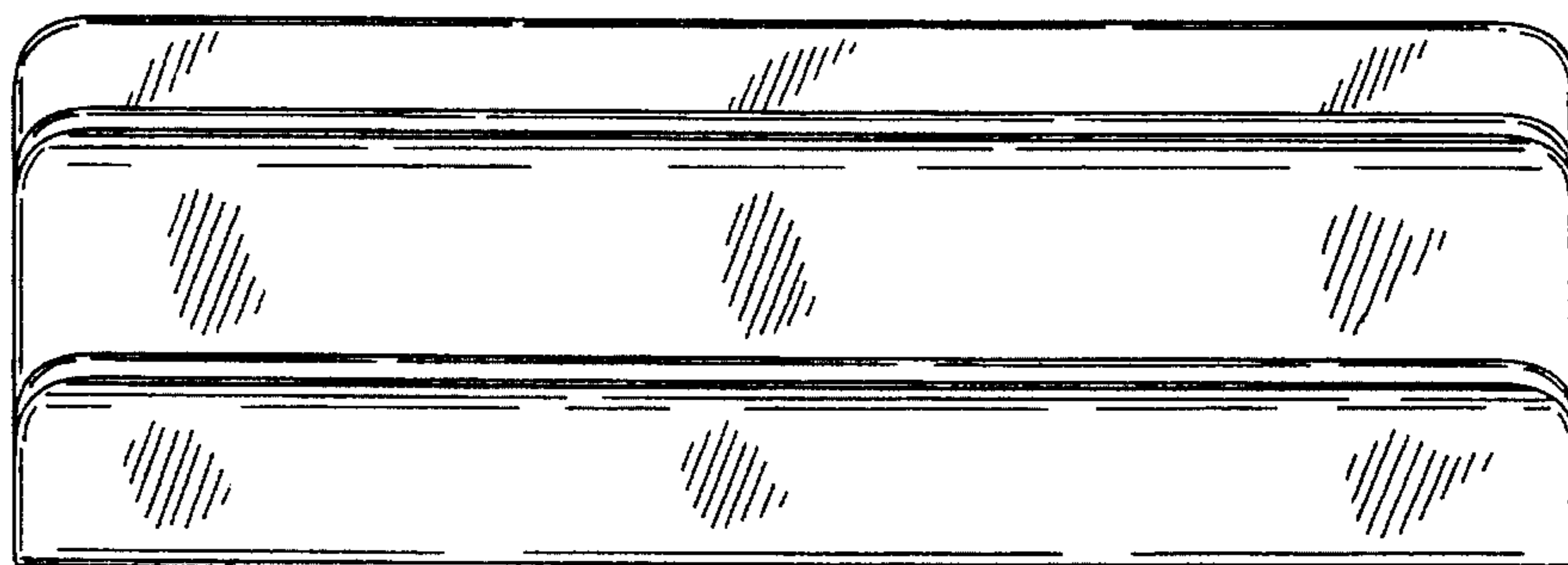


FIG. 5

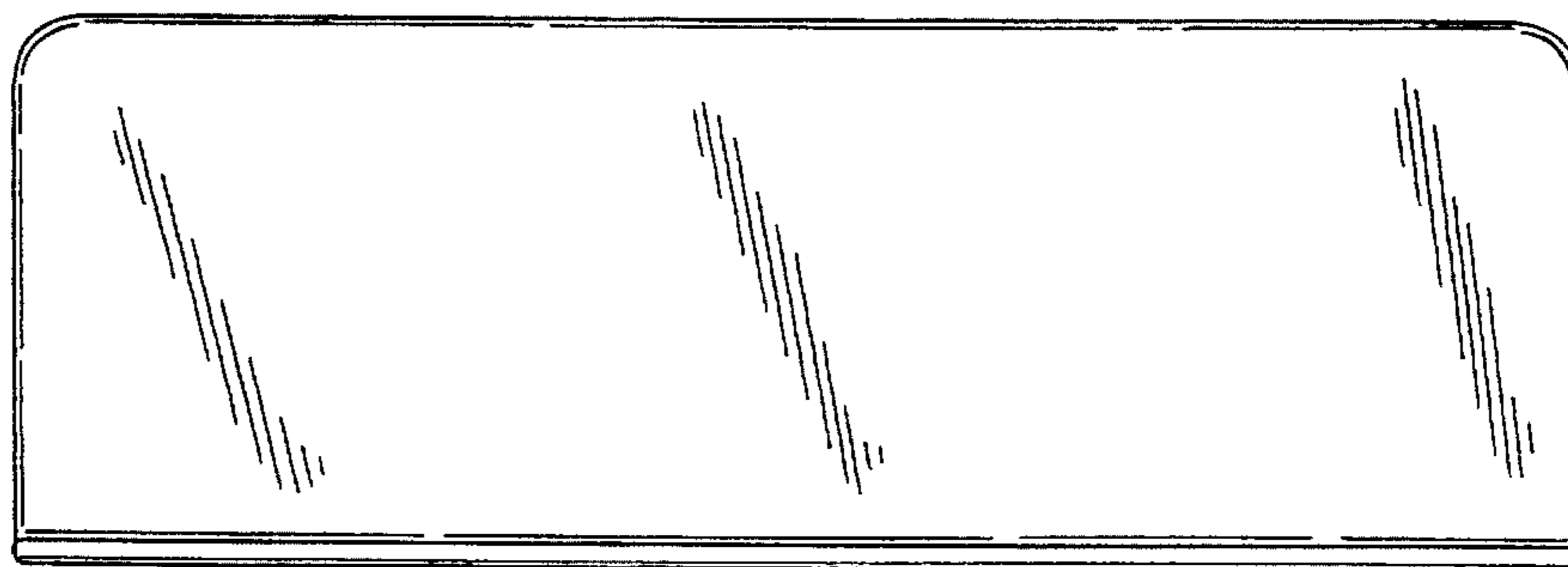


FIG. 6

