



US00D367498S

United States Patent [19]

[11] Patent Number: **Des. 367,498**

Grazioli

[45] Date of Patent: ****Feb. 27, 1996**

[54] **SOCCER GAME TABLE**

4,078,797 3/1978 Bergee 273/85 D
5,326,102 7/1994 Chang 273/85 D

[75] Inventor: **Vittorio Grazioli**, Mantova, Italy

OTHER PUBLICATIONS

[73] Assignee: **Grazioli S.P.A.**, Mosio Di Acquanegra, Italy

Vending Times, Aug. 1979, p. 83.
Vending Times, Oct. 1979, p. 91.
Vending Times, Dec. 1975, p. 57.

[**] Term: **14 Years**

Primary Examiner—Prabhakar G. Deshmukh
Attorney, Agent, or Firm—Herbert Dubno

[21] Appl. No.: **24,085**

[22] Filed: **Jun. 8, 1994**

[57] CLAIM

[30] Foreign Application Priority Data

The ornamental design for a soccer game table, as shown and described.

Dec. 13, 1993 [IT] Italy MI9300660

[52] U.S. Cl. **D21/11**

[58] Field of Search D21/7-11; 273/85 R,
273/85 C, 85 D, 85 E, 85 F

DESCRIPTION

[56] References Cited

U.S. PATENT DOCUMENTS

D. 211,259 6/1968 Maillard D21/11
D. 227,684 7/1973 Patterson D21/11
D. 240,246 6/1976 Pierre D21/11
D. 314,985 2/1991 Monneret D21/11
3,926,432 12/1975 Furr et al. 273/85 D
4,009,881 3/1977 Potter, III 273/85 E X

FIG. 1 is a top front left side perspective view of a soccer game table showing my new design, the bottom being plain and unornamented;

FIG. 2 is a left side elevational view thereof;

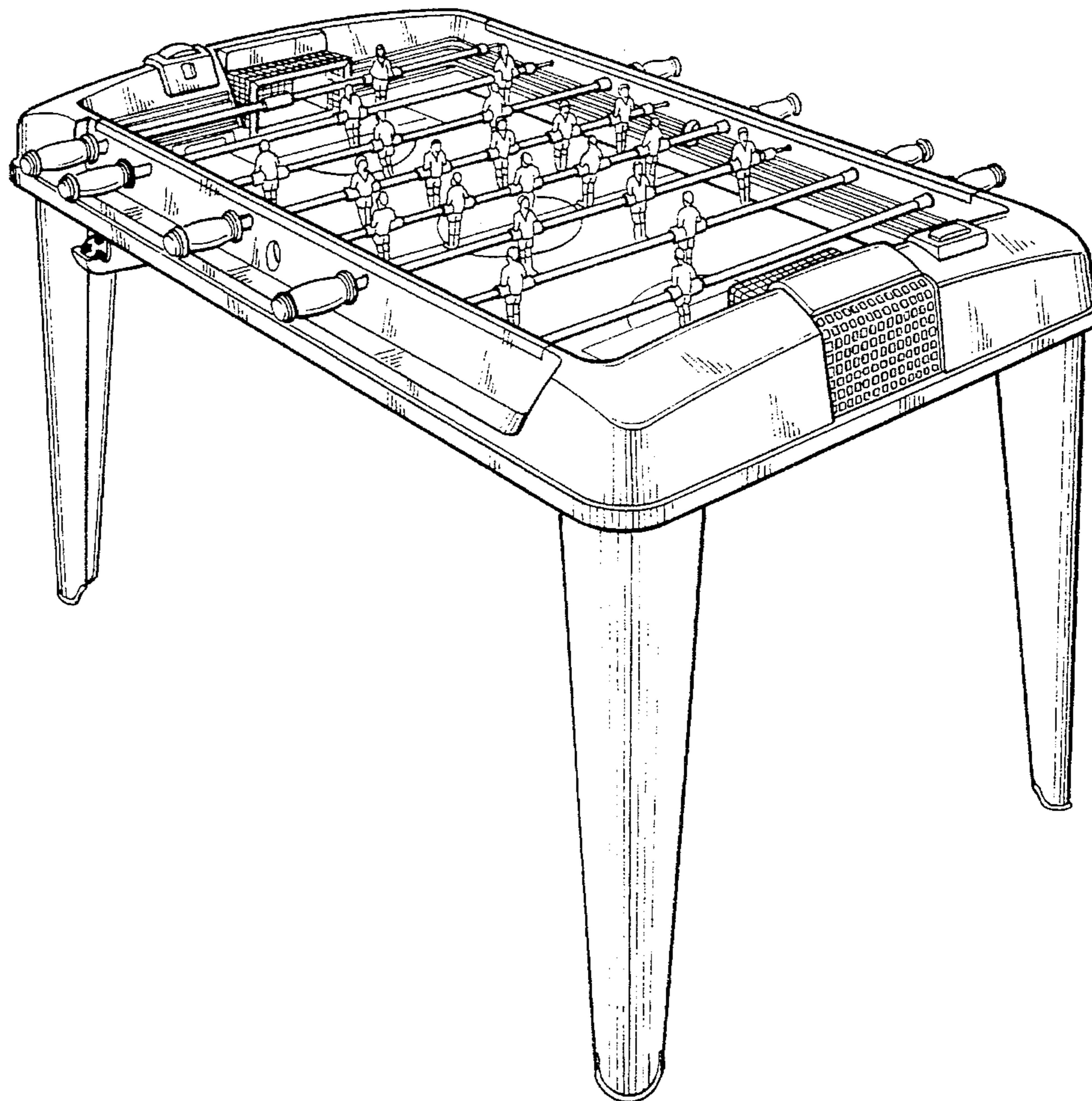
FIG. 3 is a right side elevational view thereof;

FIG. 4 is a rear view thereof;

FIG. 5 is a front view thereof; and,

FIG. 6 is a top plan view.

1 Claim, 5 Drawing Sheets



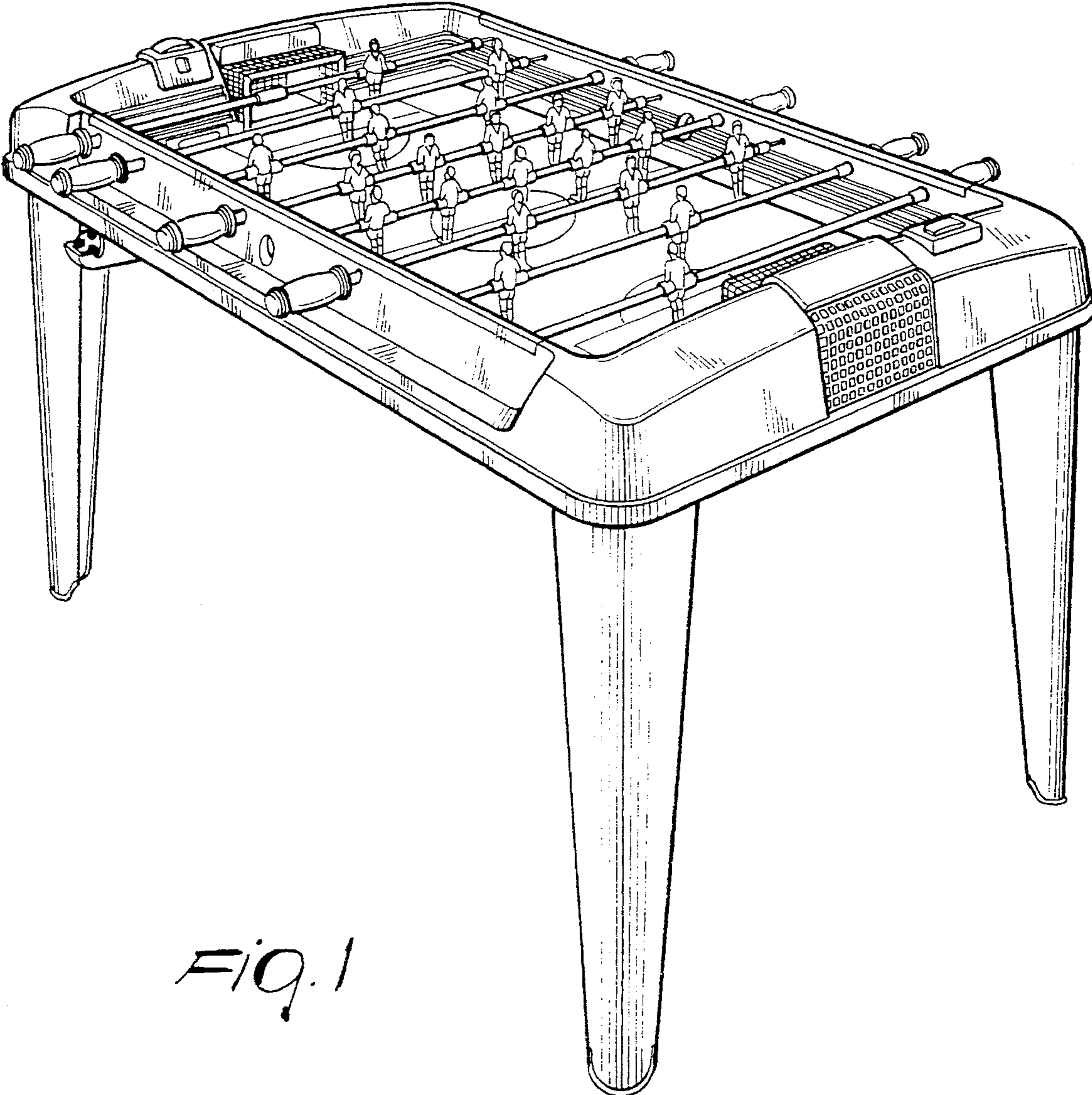


FIG. 1

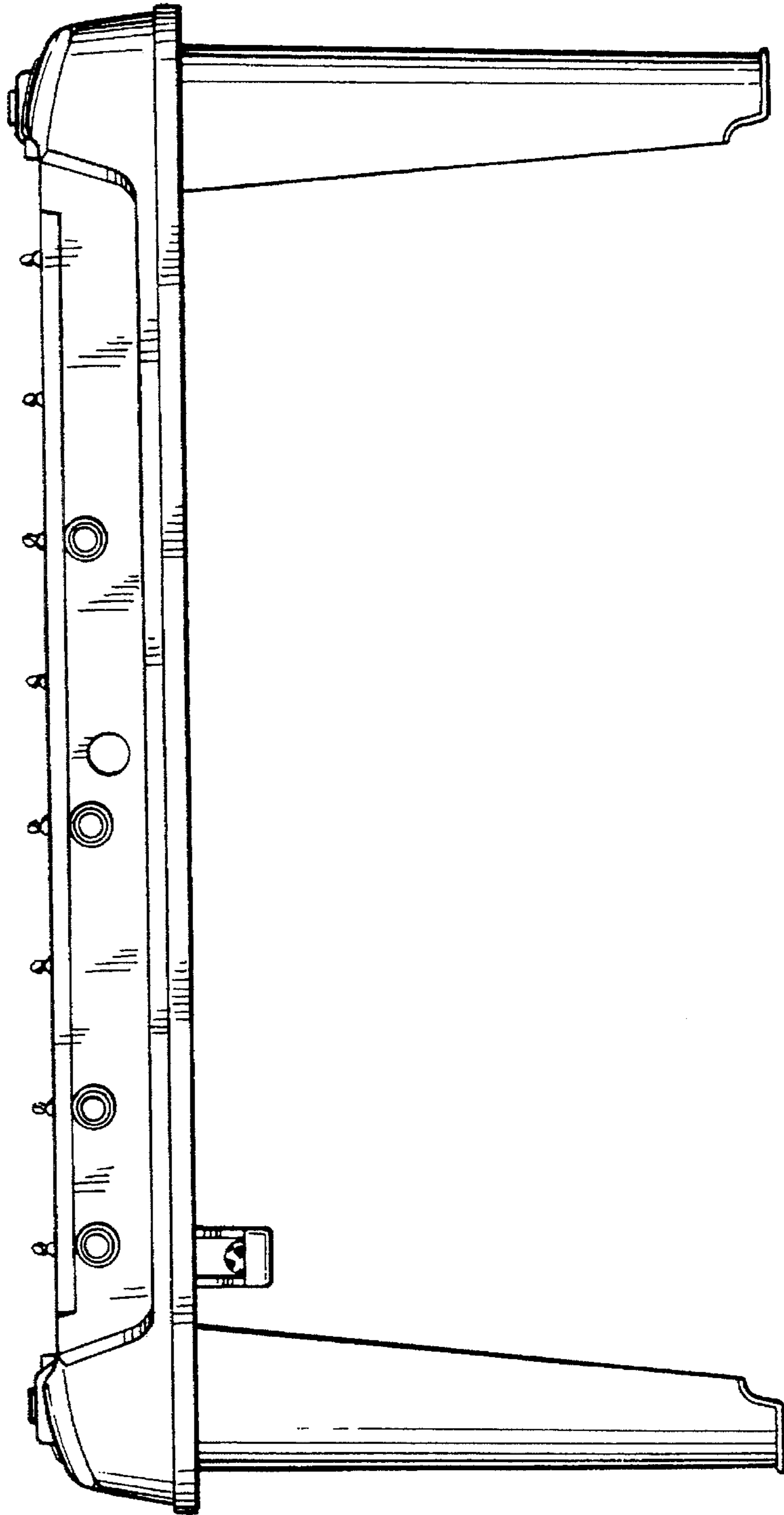


FIG. 2

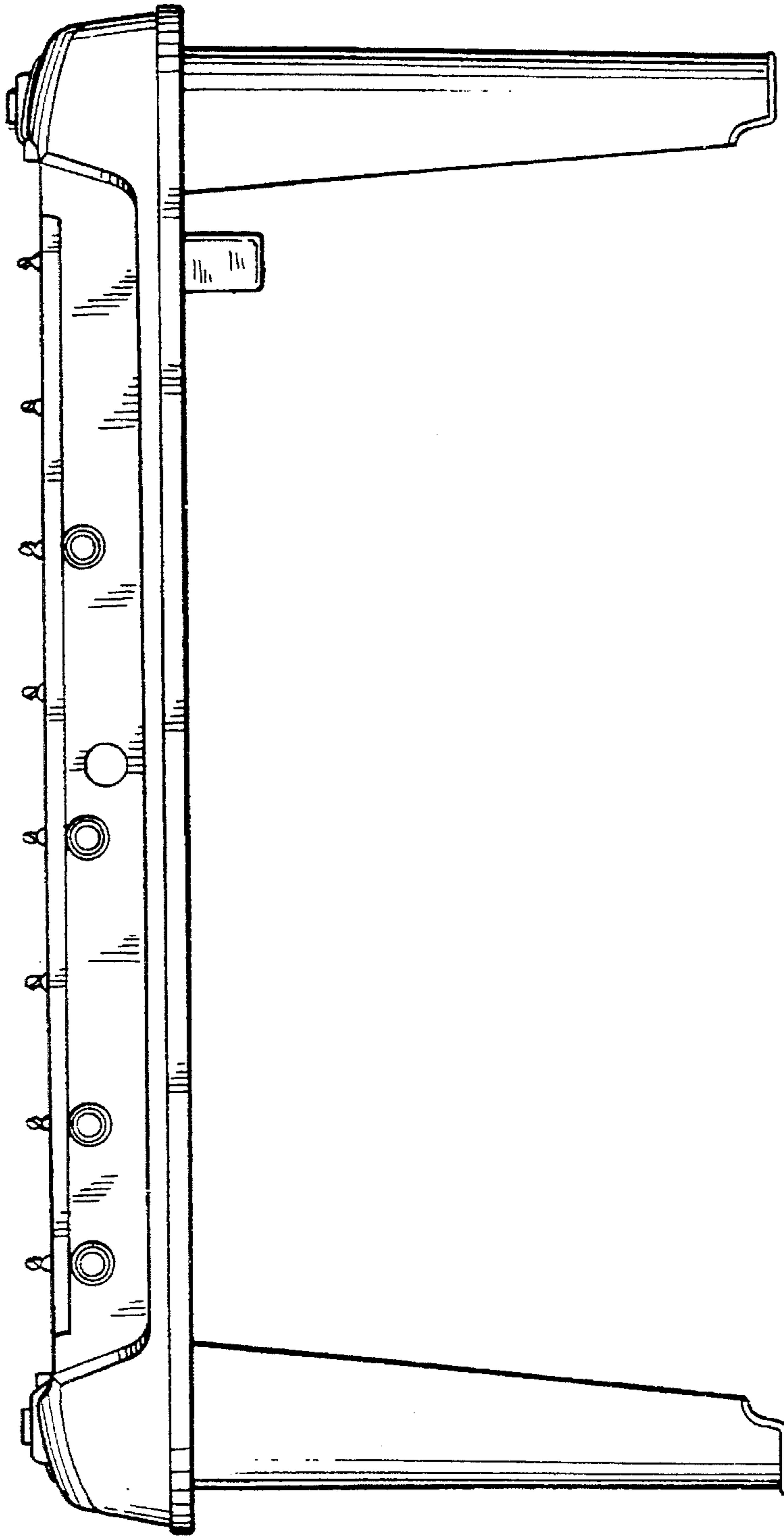


FIG. 3

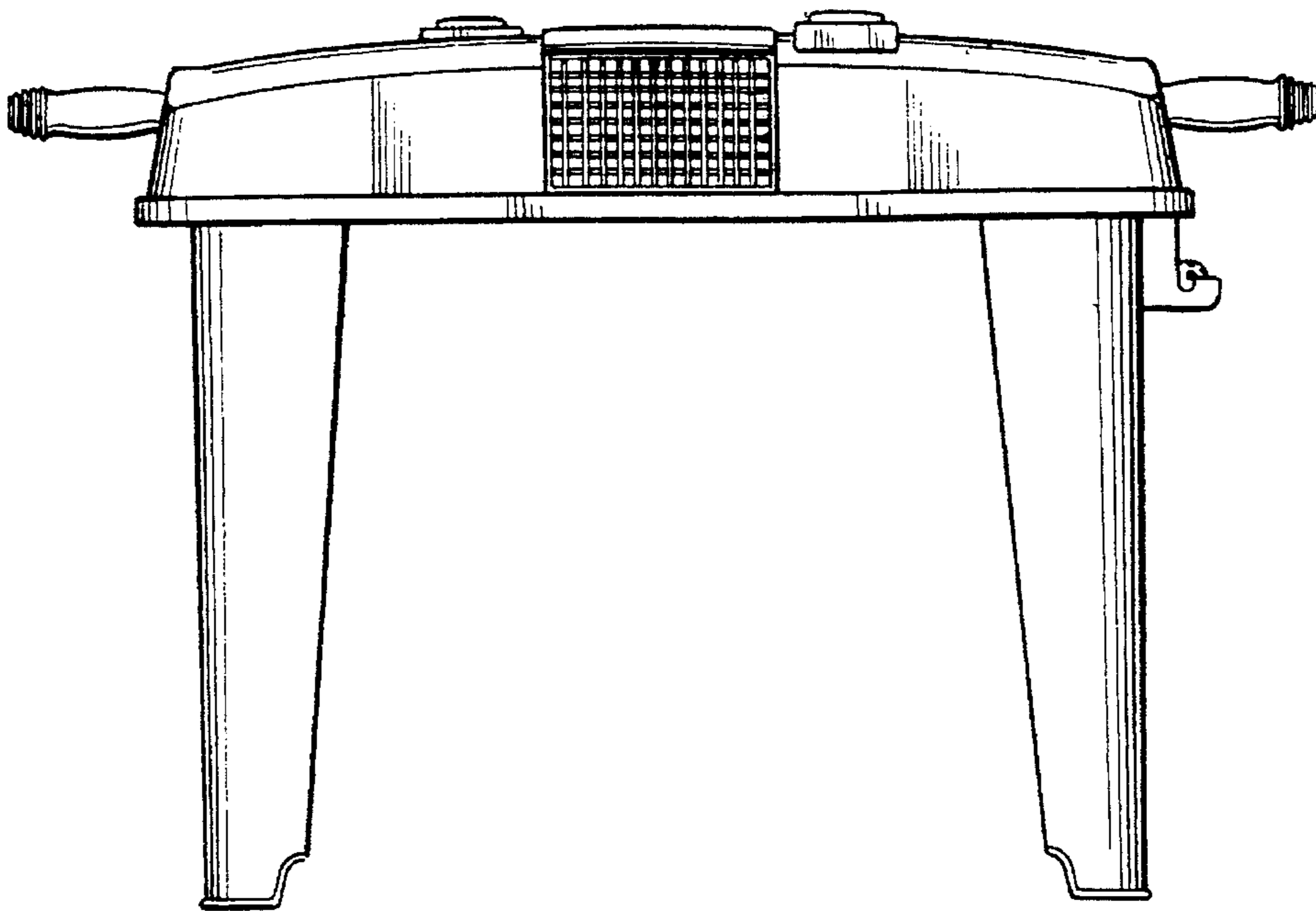


FIG. 4

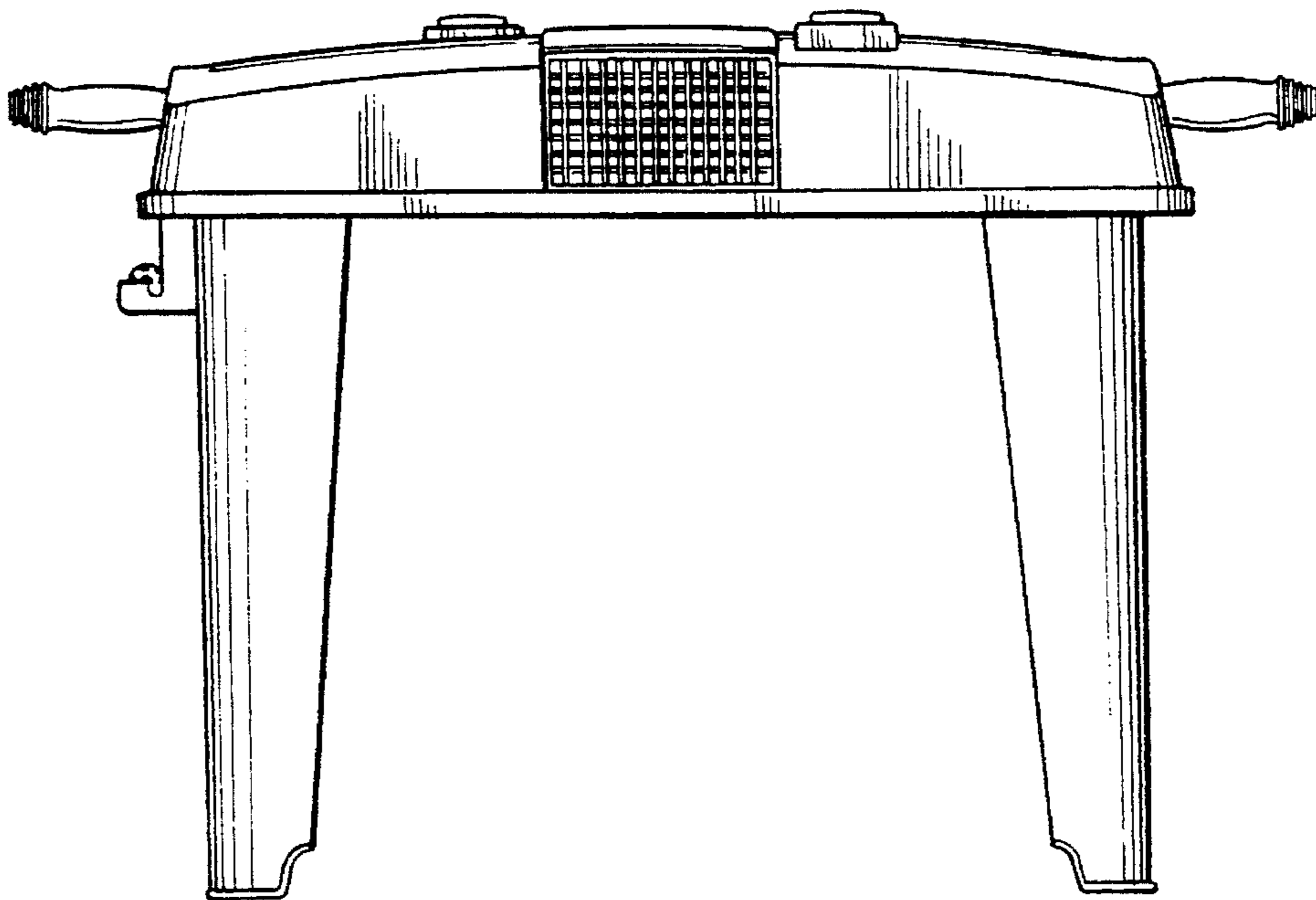


FIG. 5

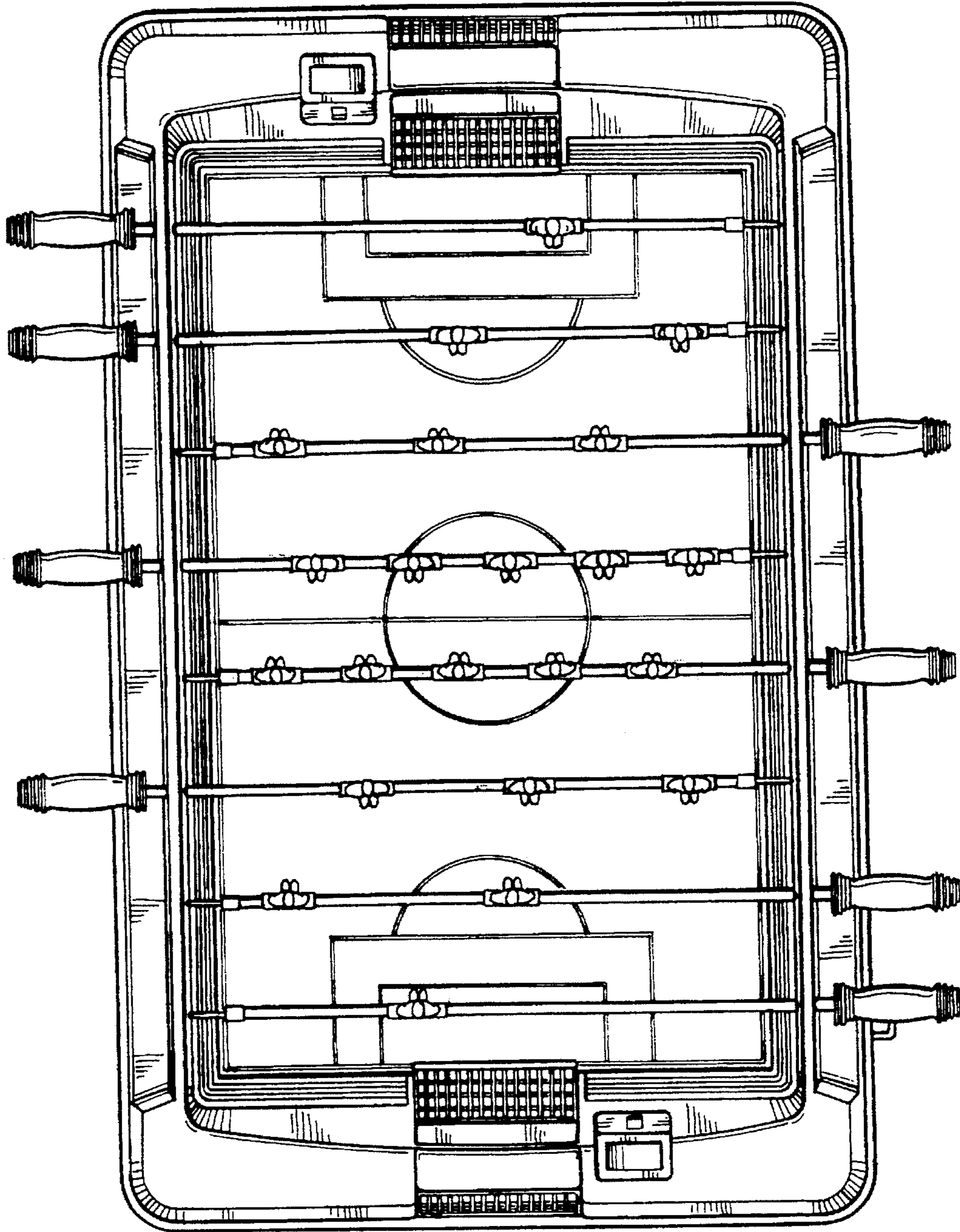


FIG. 6