



US00D367495S

United States Patent [19]

[11] Patent Number: **Des. 367,495**

Chen et al.

[45] Date of Patent: ****Feb. 27, 1996**

[54] **AUTOMATIC DOCUMENT FEEDER**

[75] Inventors: **Tony Chen; Thomas Chang**, both of Hsinchu, Taiwan

[73] Assignee: **Umax Data System Inc.**, Taiwan, China

[**] Term: **14 Years**

[21] Appl. No.: **38,439**

[22] Filed: **May 5, 1995**

[52] U.S. Cl. **D18/49**

[58] Field of Search D18/36-49, 55; 271/3, 3.1, 8.1, 9, 10, 18, 110, 111, 114, 116, 119, 122, 126, 147, 157, 171, 258; 355/200, 308, 309; 358/498

[56] **References Cited**

U.S. PATENT DOCUMENTS

- D. 314,789 2/1991 Hirata et al. D18/36
- D. 322,626 12/1991 Imai D18/49
- D. 324,536 3/1992 Isomoto et al. D18/40 X

Primary Examiner—Alan P. Douglas
Assistant Examiner—Caron D. Veynar
Attorney, Agent, or Firm—Shoemaker and Mattare, Ltd.

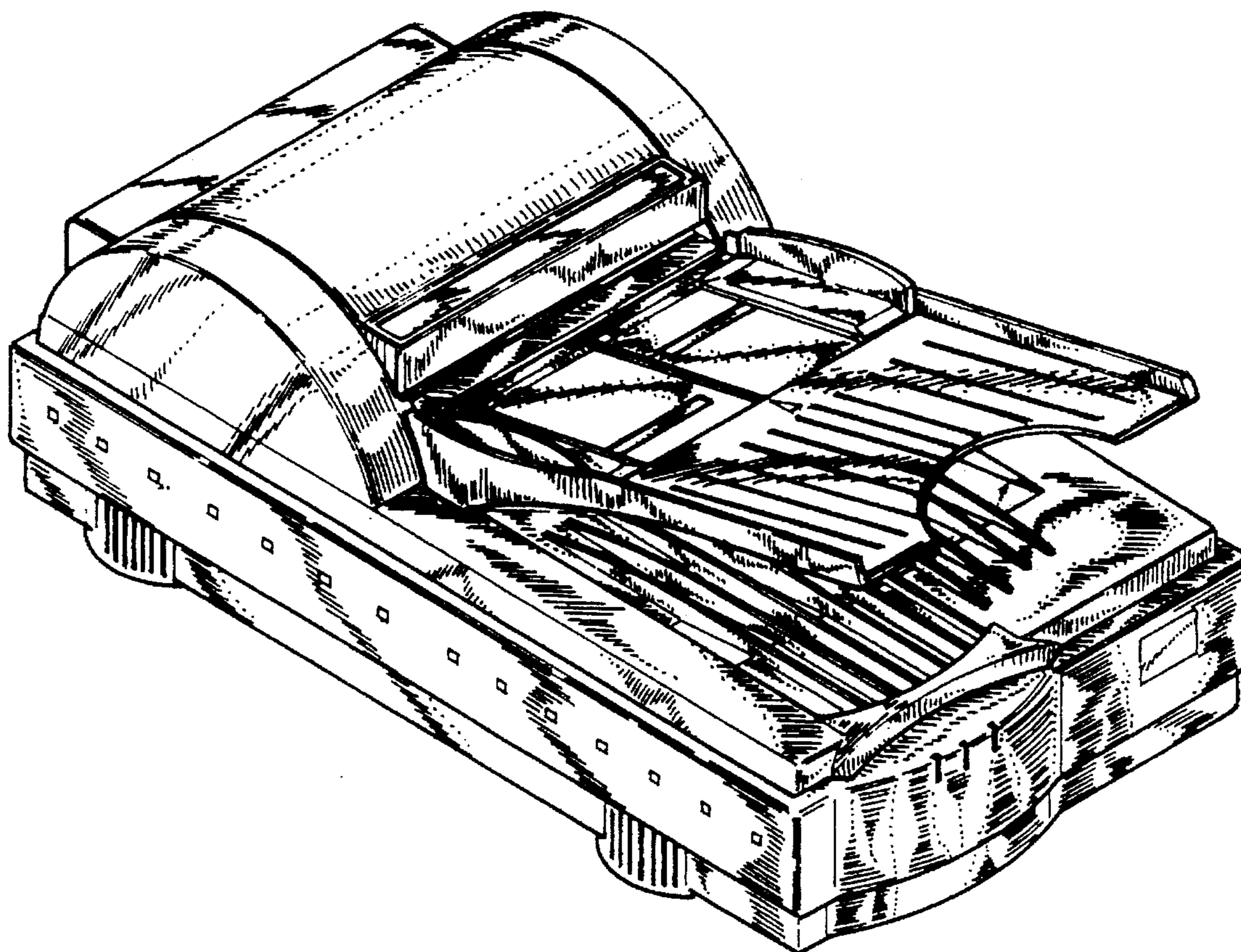
[57] **CLAIM**

The ornamental design for an automatic document feeder, as shown and described.

DESCRIPTION

FIG. 1 is a top view;
 FIG. 2 is a bottom view;
 FIG. 3 is a left side elevational view;
 FIG. 4 is a right side elevational view;
 FIG. 5 is a rear elevational view;
 FIG. 6 is a front elevational view;
 FIG. 7 is a perspective view;
 FIG. 8 is a perspective view of the automatic document feeder of the present invention showing the state of the document tray raised slantly;
 FIG. 9 is a perspective view of the automatic document feeder of the present invention showing the state of the cover raised slantly from the document tray; and,
 FIG. 10 is an exploded perspective view of the automatic document feeder of the present invention.

1 Claim, 7 Drawing Sheets



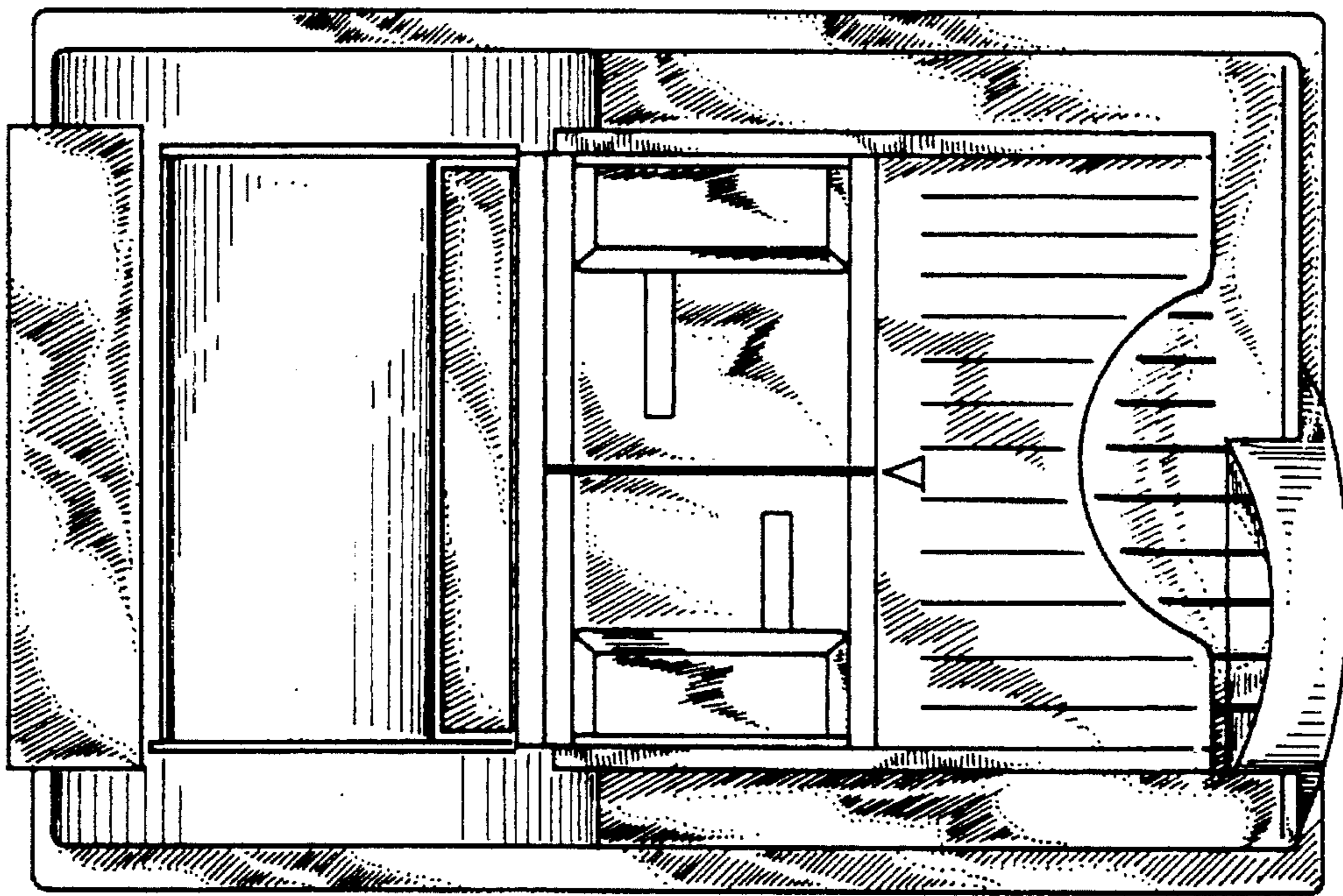


FIG. 1

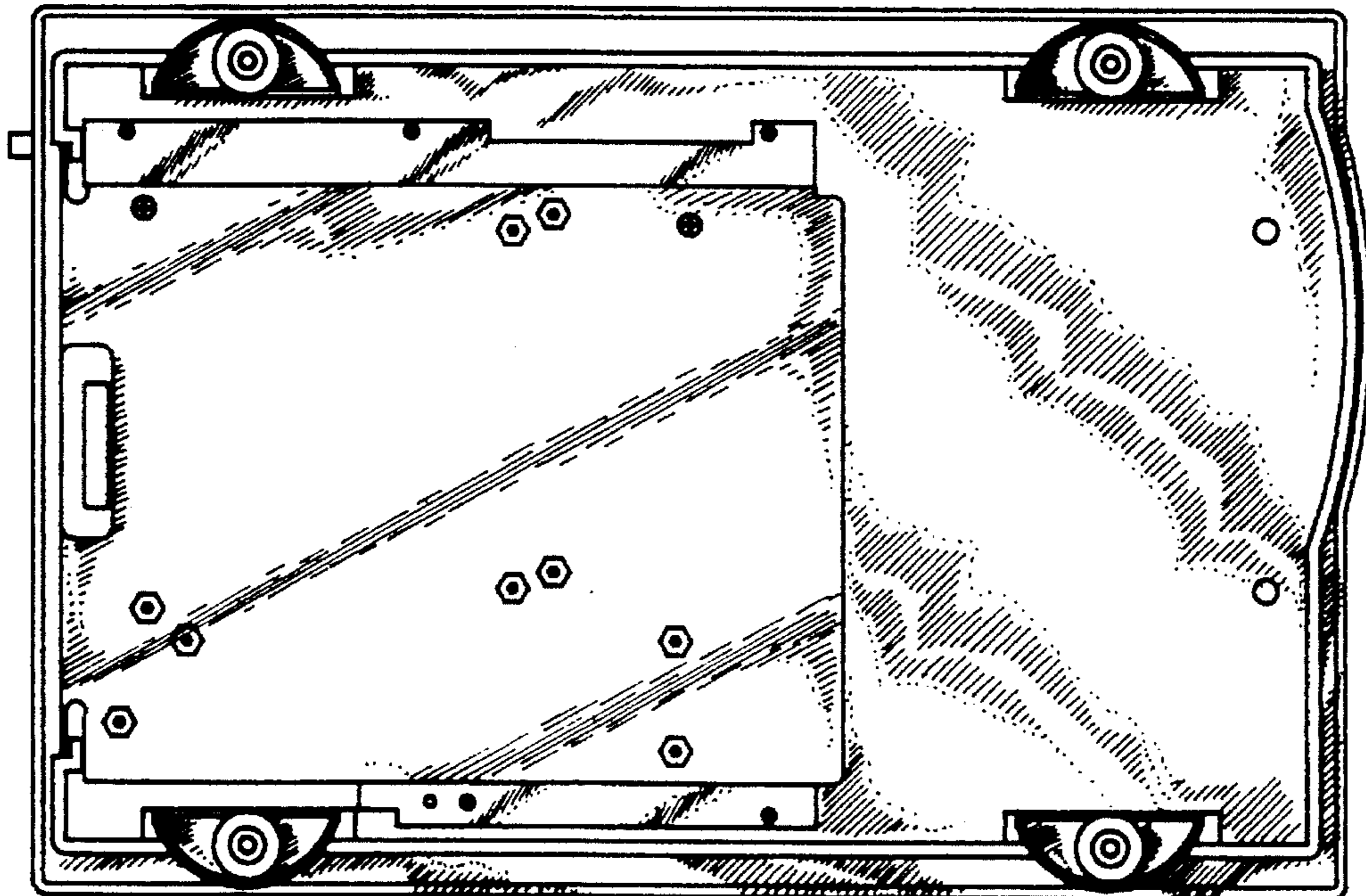


FIG. 2

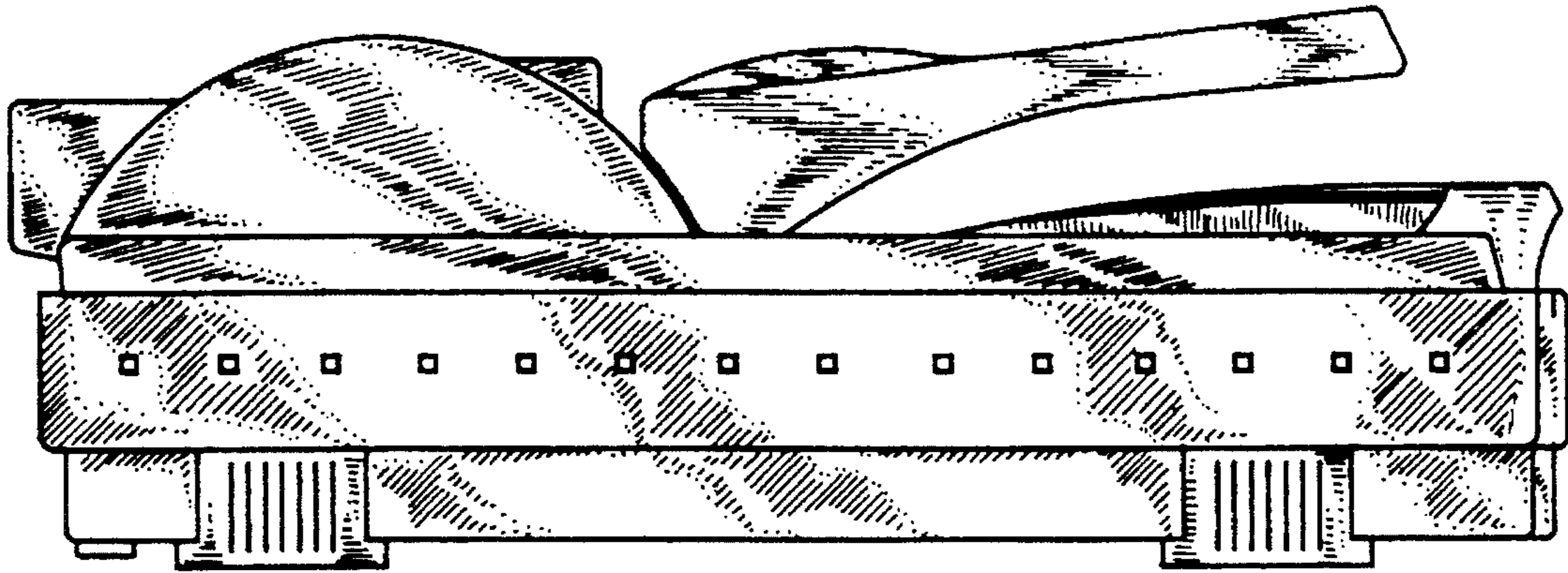


FIG. 3

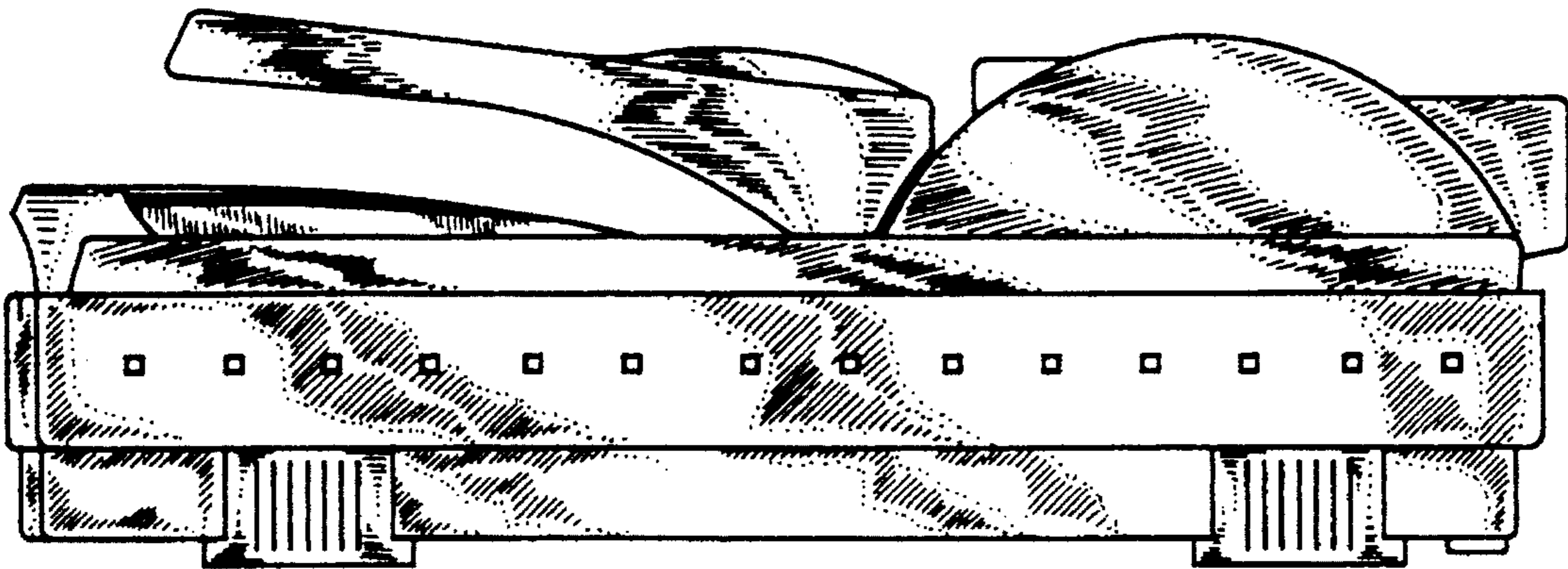


FIG. 4

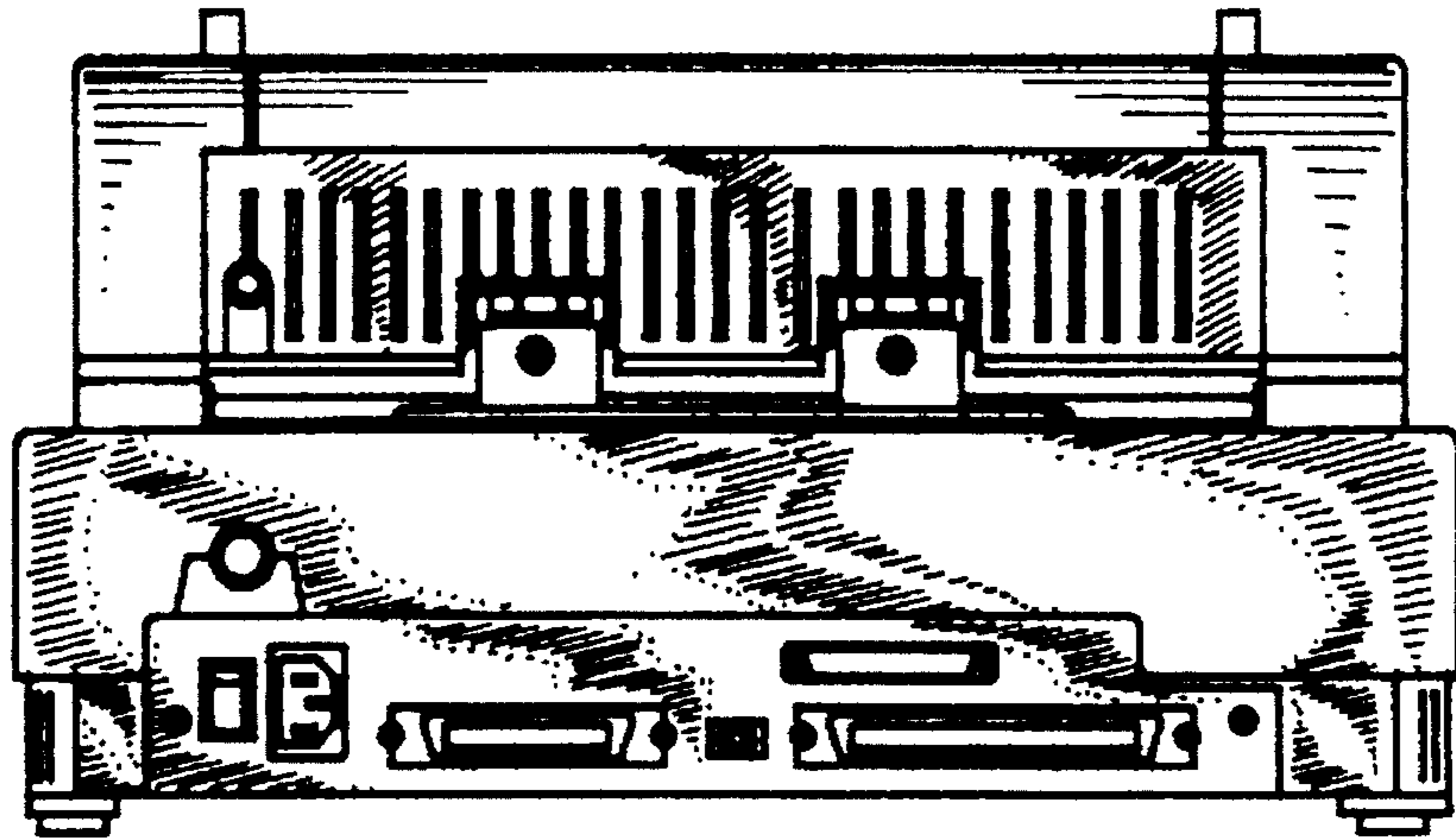


FIG. 5

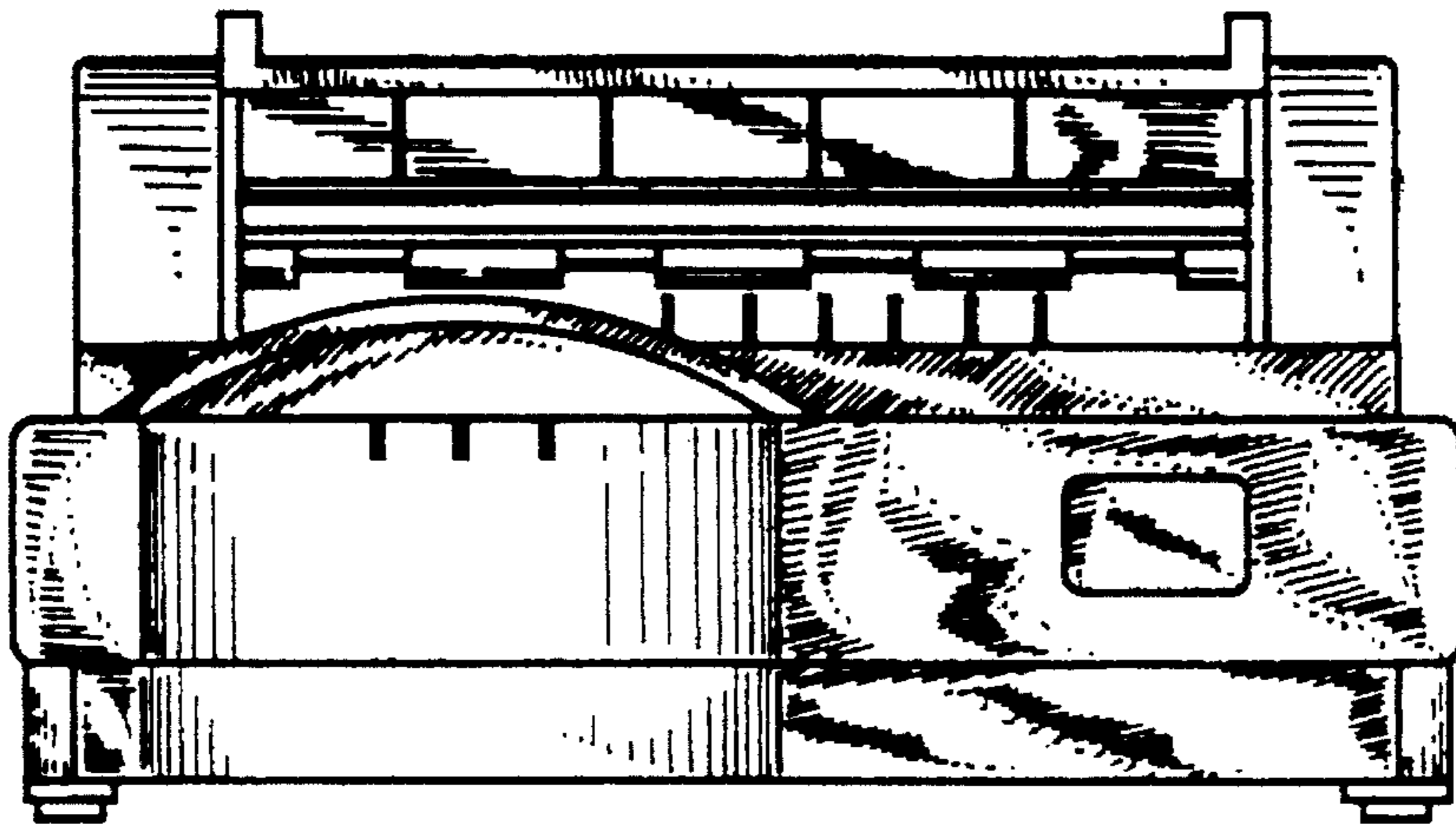


FIG. 6

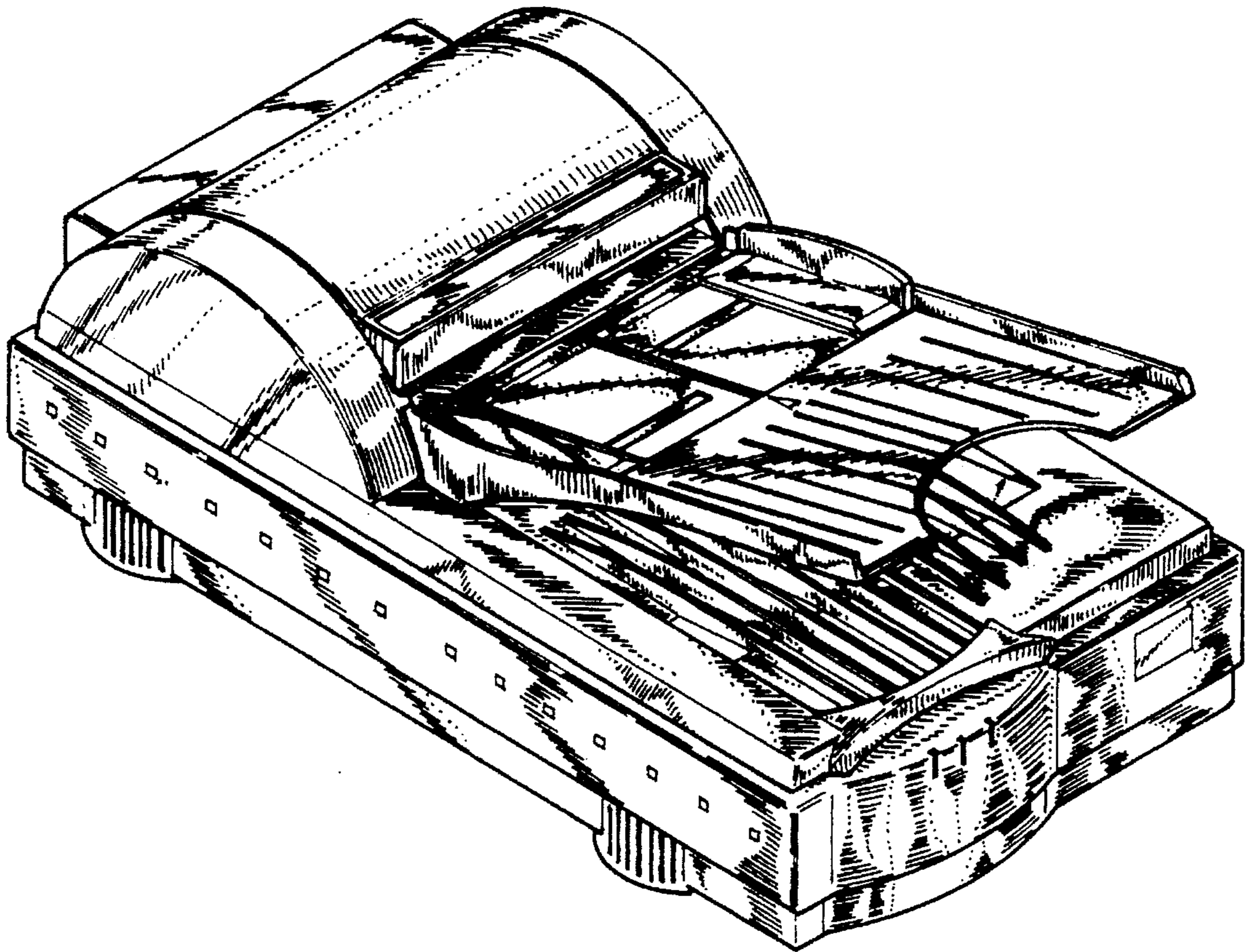


FIG. 7

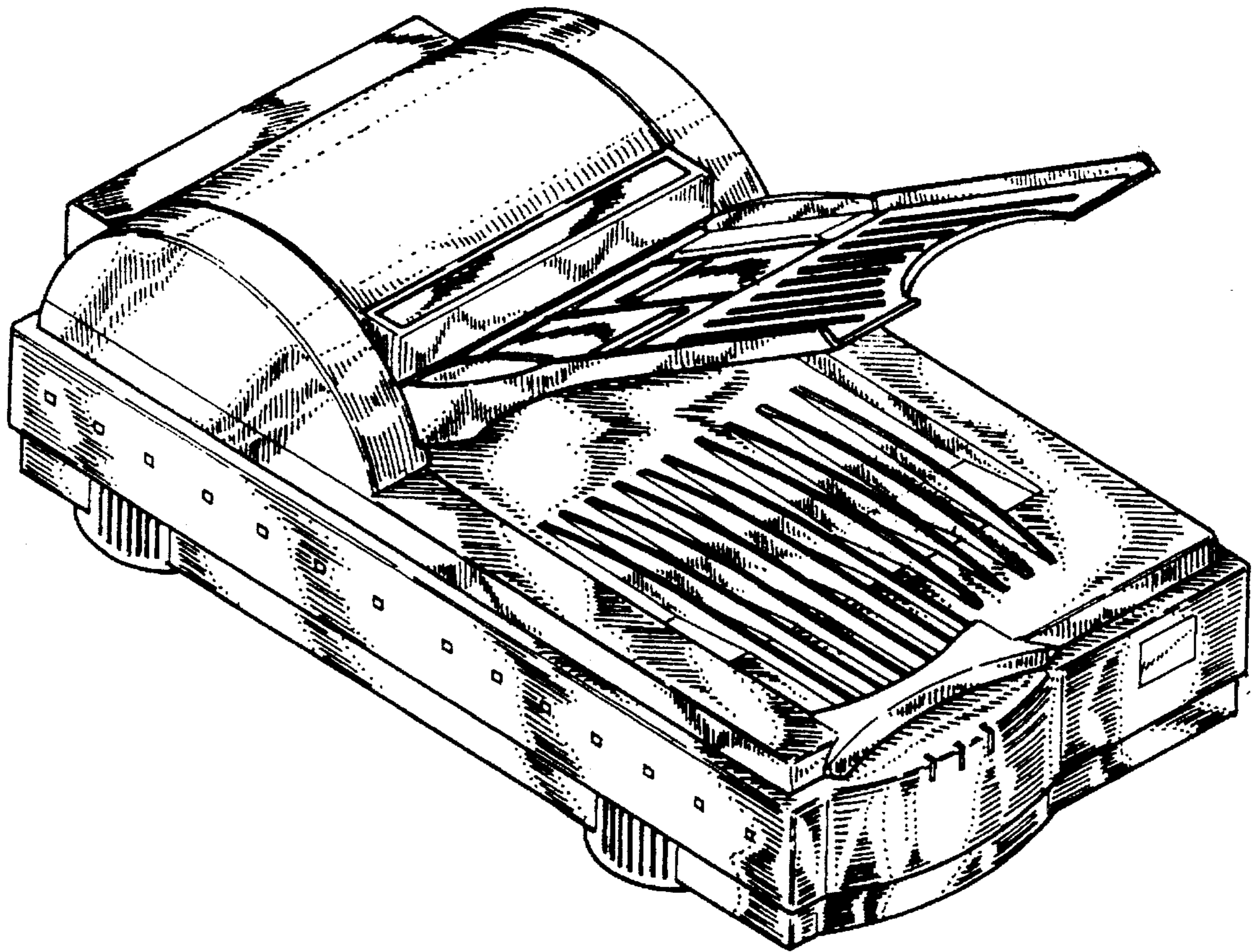


FIG. 8

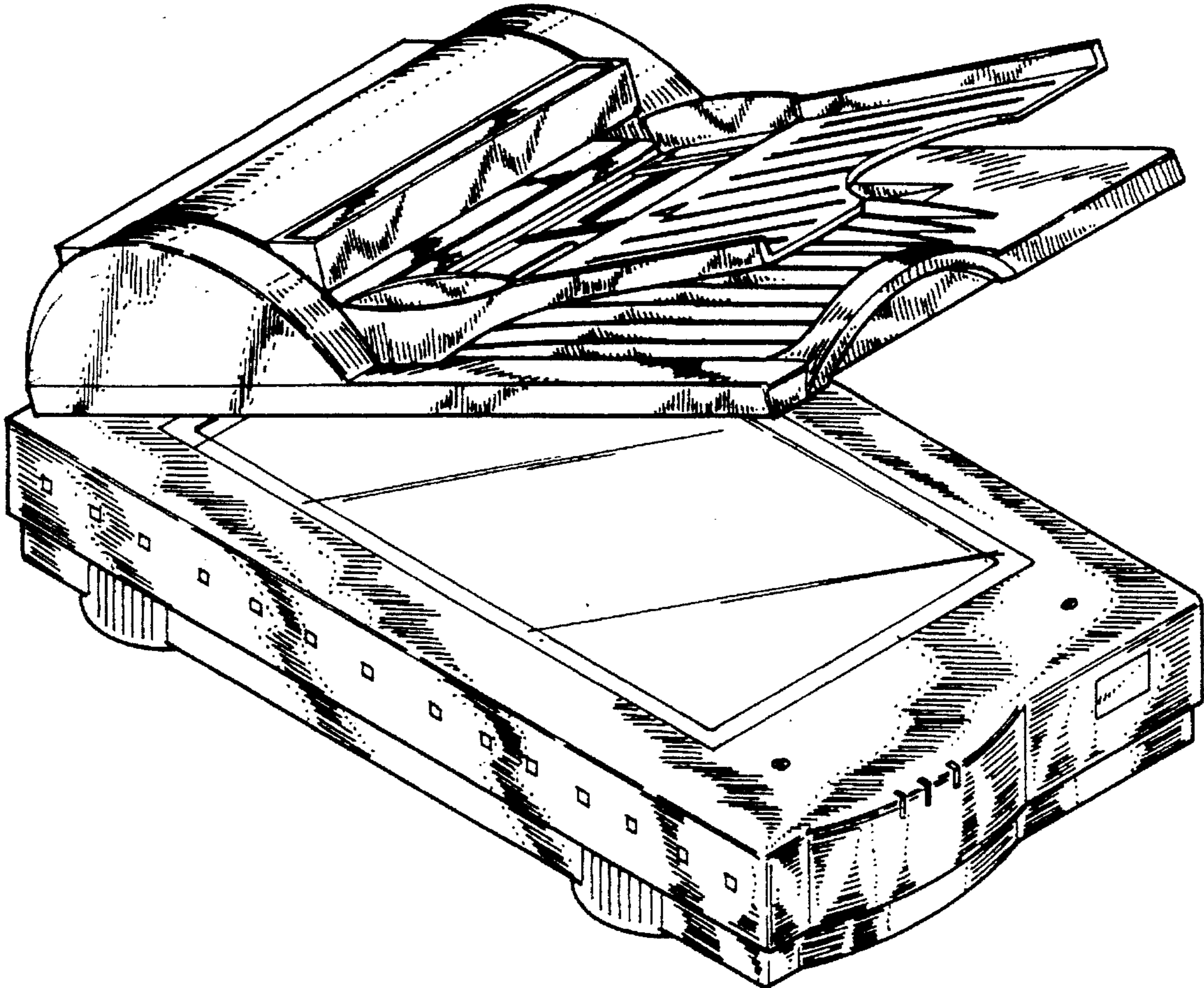
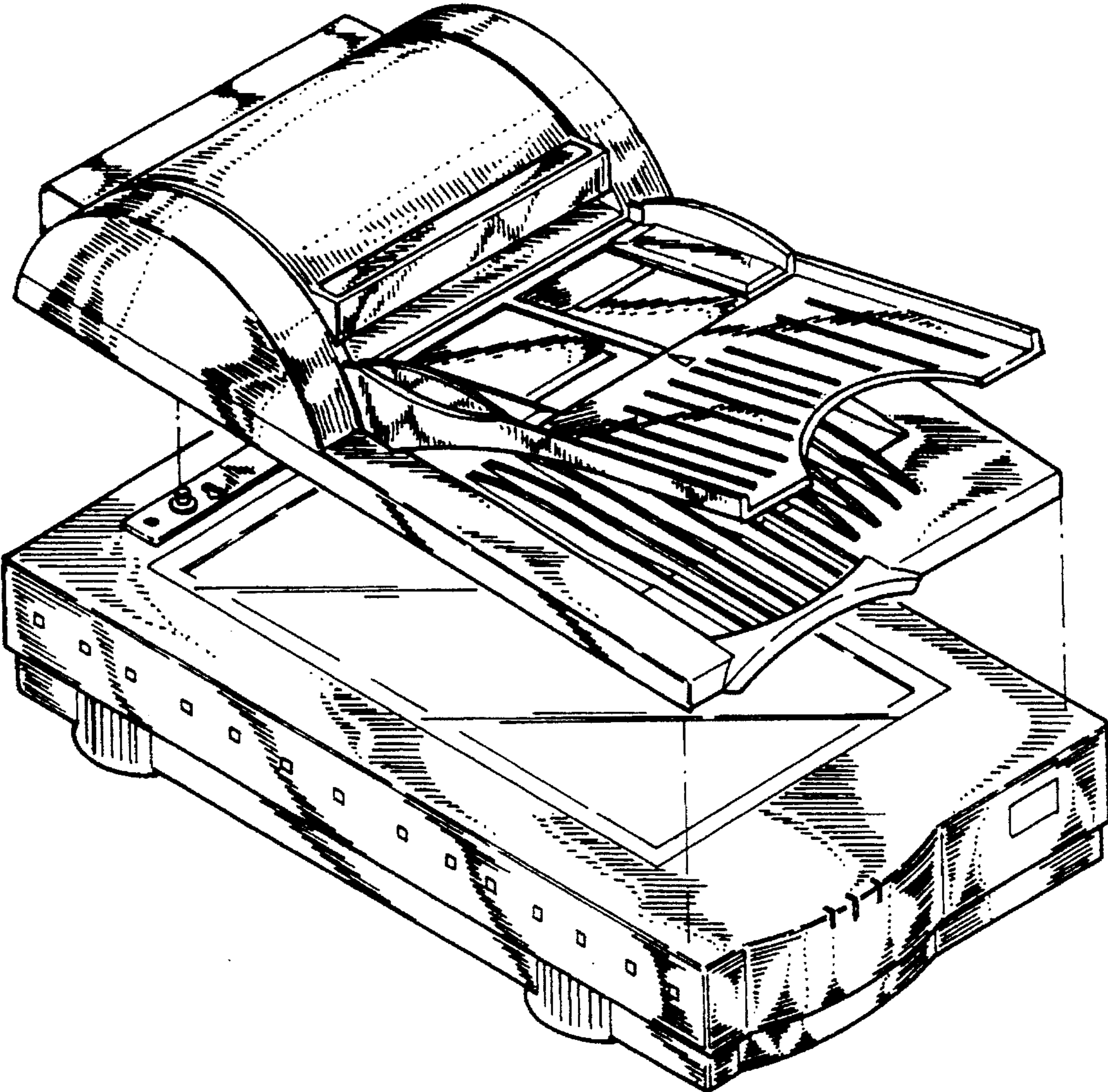


FIG. 9



F I G . 1 0