



US00D367490S

United States Patent [19]

Matsunaga et al.

[11] Patent Number: **Des. 367,490**

[45] Date of Patent: ****Feb. 27, 1996**

[54] **SCREEN FOR A LIQUID CRYSTAL PROJECTOR**

3,511,555 5/1970 O'Brien 359/443

FOREIGN PATENT DOCUMENTS

[75] Inventors: **Tsuyoshi Matsunaga**, Tokorozawa;
Akihiro Miyahara, Kunitachi; **Hideo Takamoto**, Chiba, all of Japan

4-70824 3/1992 Japan 359/461

1513412 10/1989 U.S.S.R. 359/461

[73] Assignee: **Casio Computer Co., Ltd.**, Tokyo, Japan

Primary Examiner—Ted Shooman

Assistant Examiner—Adir Aronovich

Attorney, Agent, or Firm—Frishauf, Holtz, Goodman, Langer & Chick

[**] Term: **14 Years**

[57] CLAIM

[21] Appl. No.: **32,440**

The ornamental design for a screen for a liquid crystal projector, as shown and described.

[22] Filed: **Dec. 19, 1994**

DESCRIPTION

[30] Foreign Application Priority Data

Jul. 27, 1994 [JP] Japan 6-22333

[52] U.S. Cl. **D16/241**; 160/24; 359/443

[58] Field of Search D14/128; D6/300;
D16/241; D20/10; 160/24, 370.21; 354/290,
291; 359/443, 451, 461; 248/479, 488

FIG. 1 is a front elevational view of a screen for a liquid crystal projector showing our new design;

FIG. 2 is a right side elevational view thereof, the left side elevational view being identical to the right side elevational view;

FIG. 3 is a top plan view thereof;

FIG. 4 is a bottom plan view thereof;

FIG. 5 is a rear elevational view thereof;

FIG. 6 is a front, top, and right side perspective view thereof; and,

FIG. 7 is a rear, top, and left side perspective view thereof.

[56] References Cited

U.S. PATENT DOCUMENTS

D. 219,408 12/1970 Frish D16/241

D. 234,231 1/1975 Alfonso D20/10

3,072,410 1/1963 Simjian 359/443

1 Claim, 3 Drawing Sheets

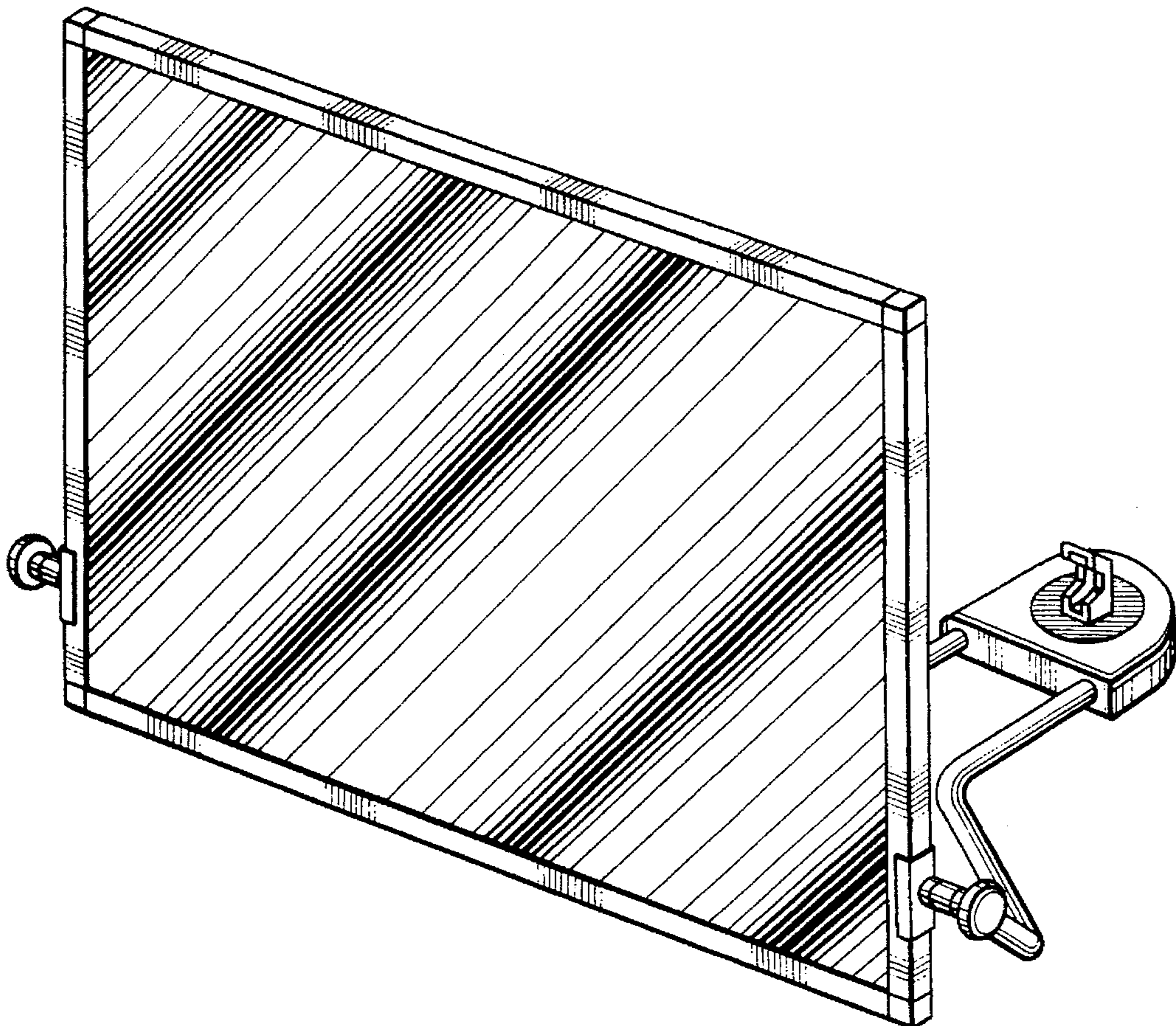


FIG. 1

FIG. 2

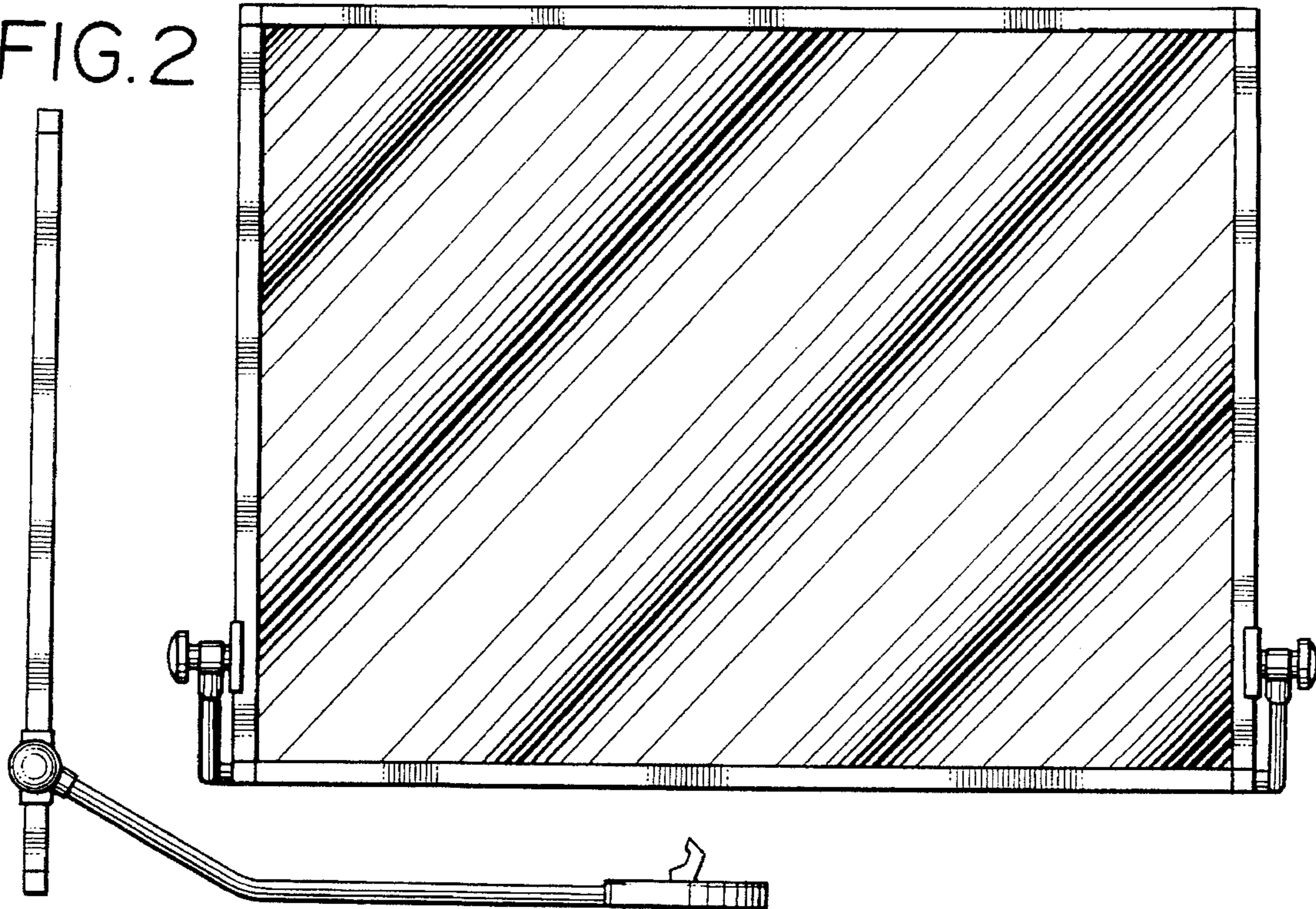


FIG. 5

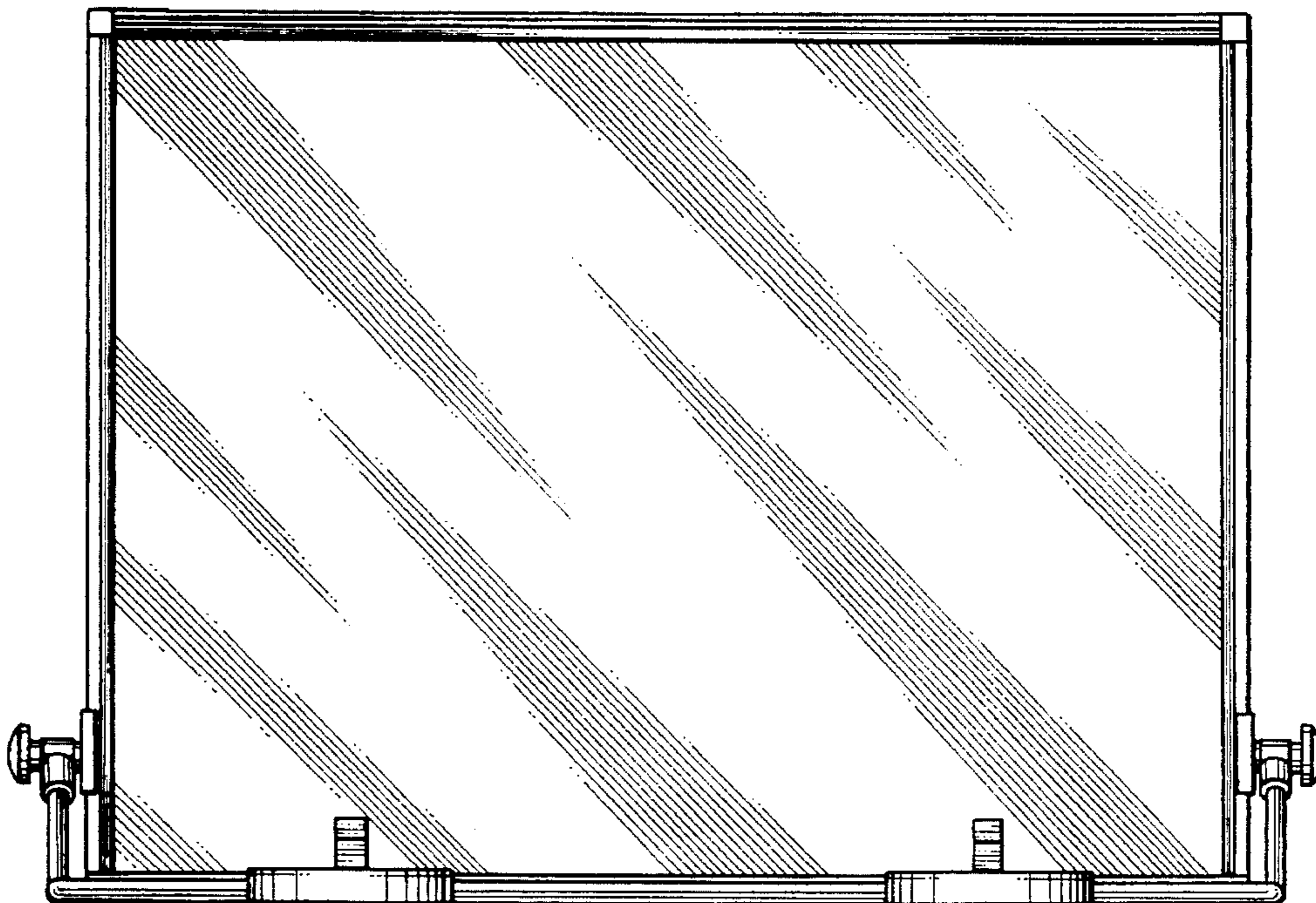


FIG. 3

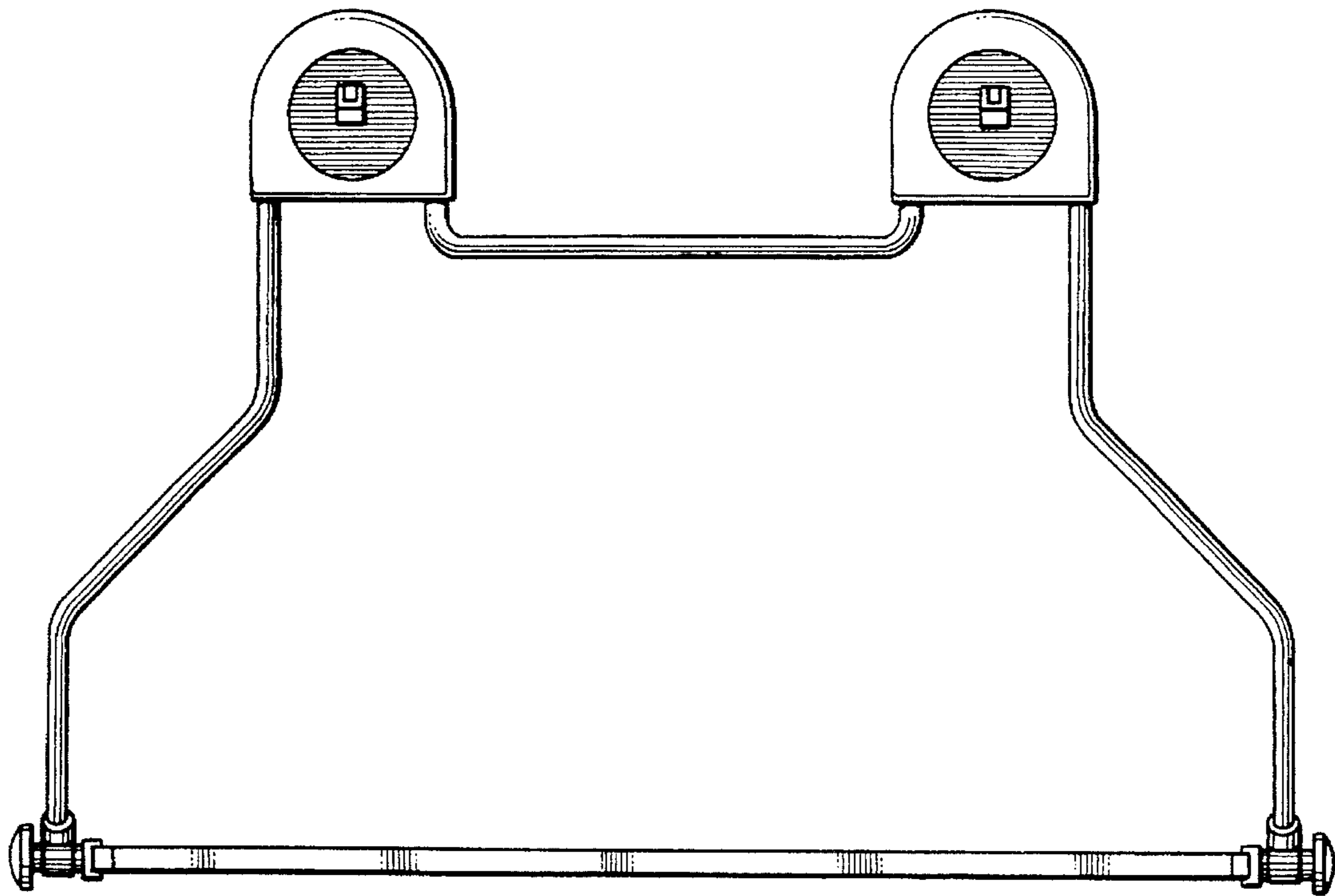


FIG. 4

