



US00D367484S

United States Patent [19]

Johnson et al.

[11] Patent Number: **Des. 367,484**

[45] Date of Patent: ****Feb. 27, 1996**

[54] **ROUTER TABLE BACKSTOP**

[76] Inventors: **Carl E. Johnson; Phyllis W. Johnson,**
both of 17-19 McComb St., Saranac
Lake, N.Y. 12983

[**] Term: **14 Years**

[21] Appl. No.: **36,387**

[22] Filed: **Mar. 20, 1995**

[52] U.S. Cl. **D15/141**

[58] Field of Search D15/132, 141;
144/134 R, 84, 134 A, 252 R, 253 J, 1 R,
82, 137, 145 R, 251 R, 251 A, 286 R, 253 R,
136 R, 129, 251 R, 134 D; 409/97, 110,
130, 137, 228

[56] **References Cited**

U.S. PATENT DOCUMENTS

D. 272,711 2/1984 Griset D15/140 X
3,991,991 11/1976 Hammer 269/318
4,735,245 4/1988 Cox 144/251 R

5,018,562 5/1991 Adams 144/253 R
5,063,983 11/1991 Barry 144/371
5,301,726 4/1994 Wojcik 144/253 J
5,337,641 8/1994 Duginske 83/468

Primary Examiner—Antoine Duval Davis
Attorney, Agent, or Firm—Harpman & Harpman

[57] **CLAIM**

The ornamental design for a router table backstop, as shown and described.

DESCRIPTION

FIG. 1 is a front, top and side perspective view of the router table backstop embodying the design of the present invention;

FIG. 2 is a front elevational view thereof;

FIG. 3 is a rear elevational view thereof;

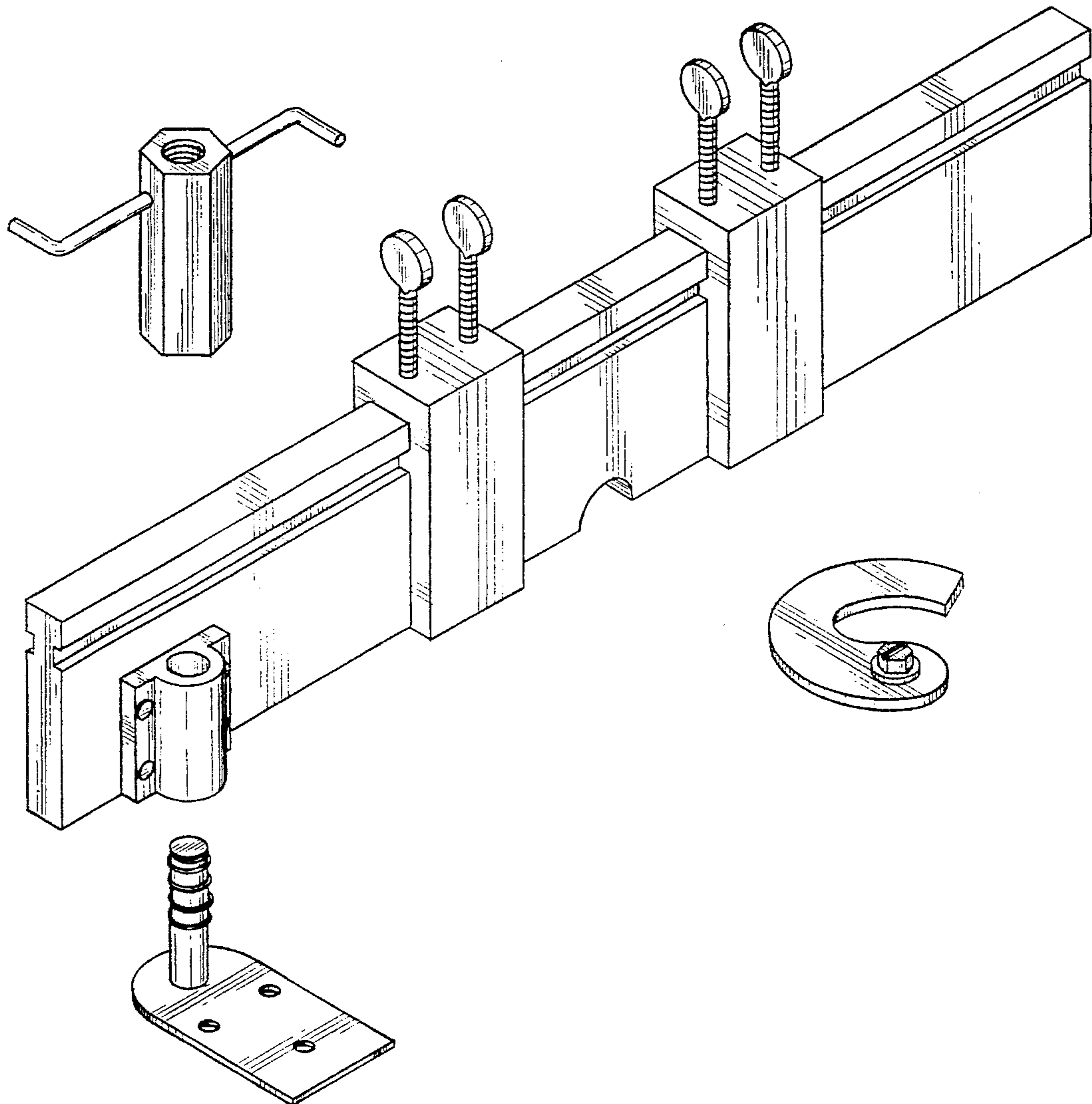
FIG. 4 is a right side elevational view thereof;

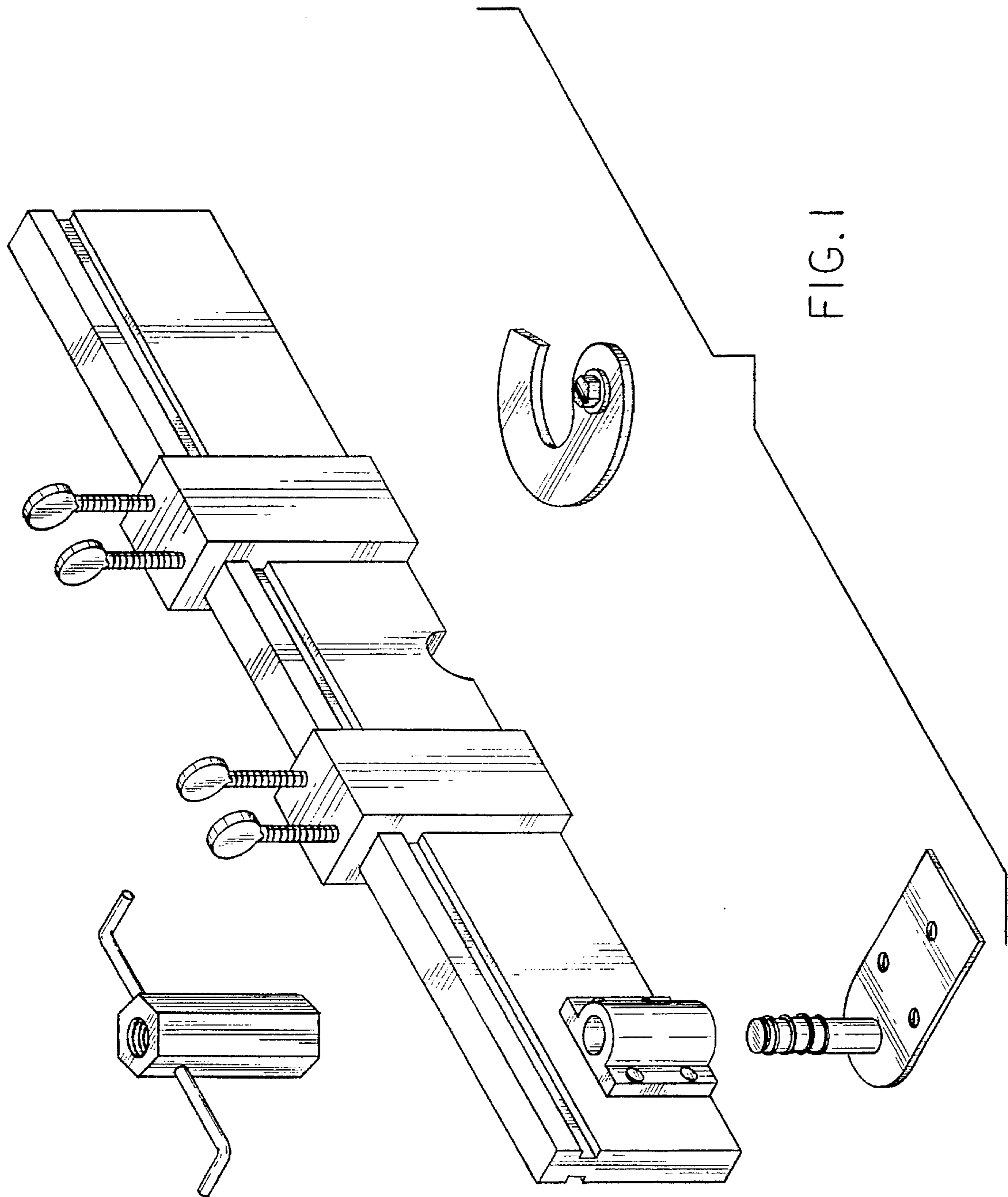
FIG. 5 is a left side elevational view thereof;

FIG. 6 is a top plan view thereof; and,

FIG. 7 is a bottom plan view thereof.

1 Claim, 5 Drawing Sheets





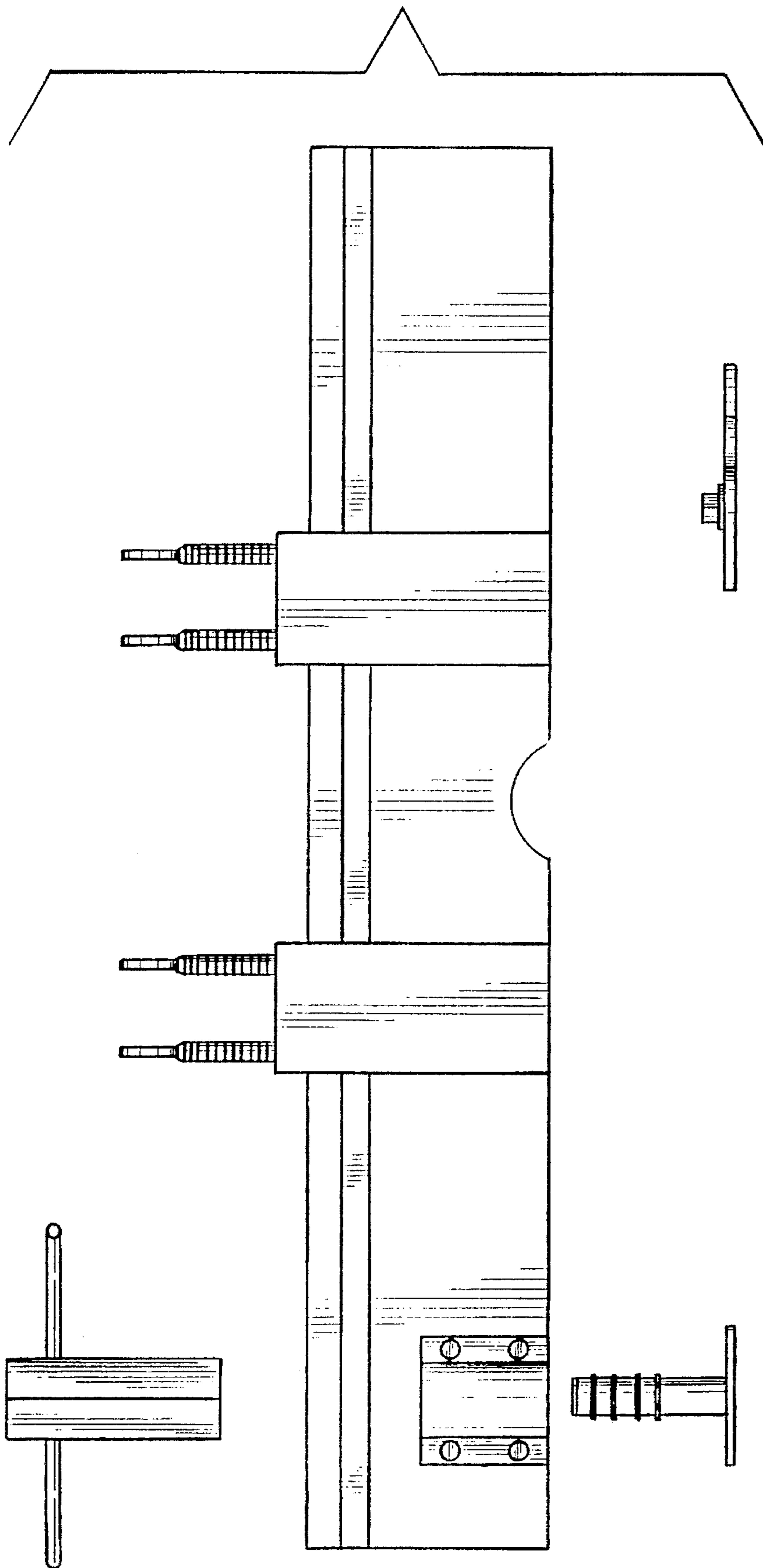


FIG. 2

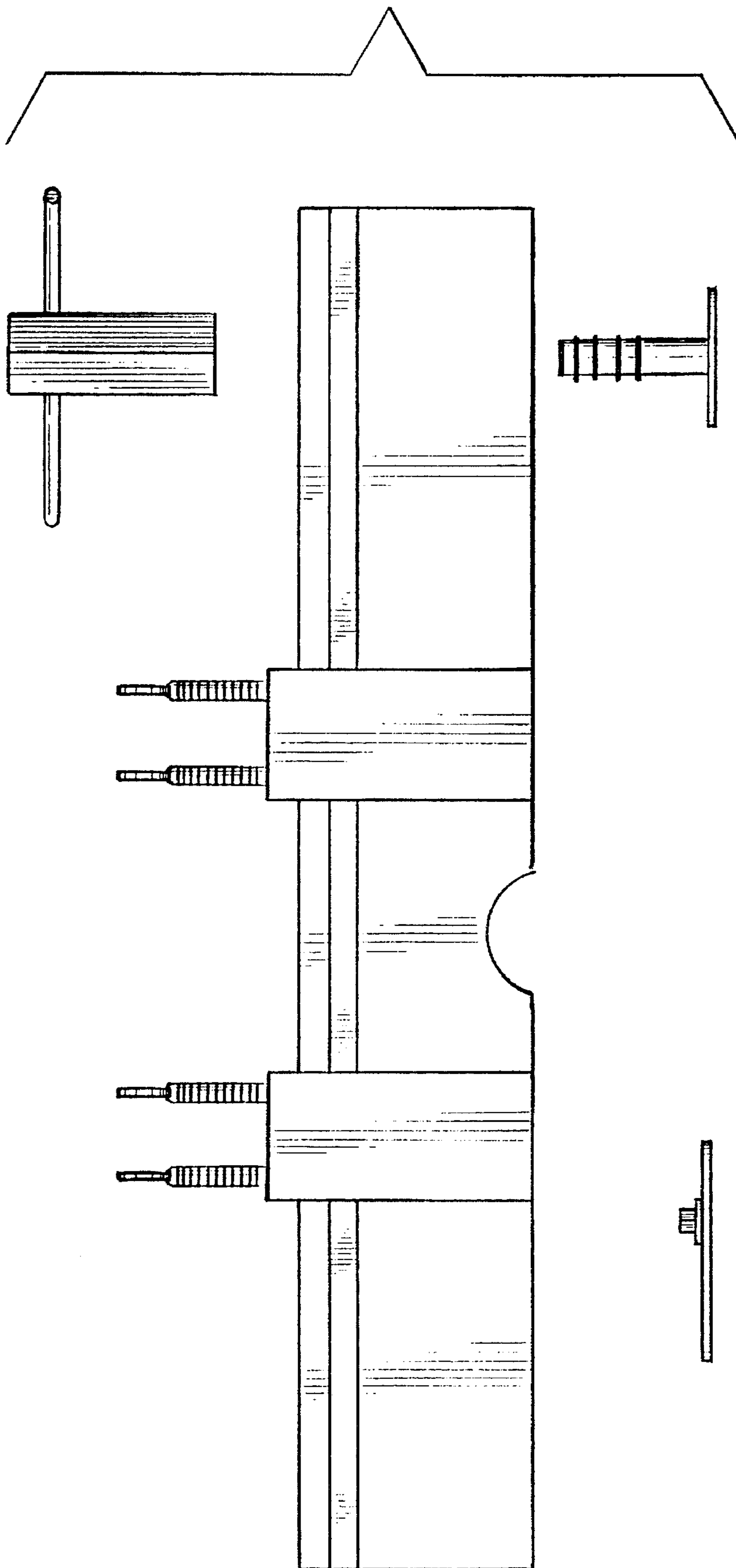


FIG. 3

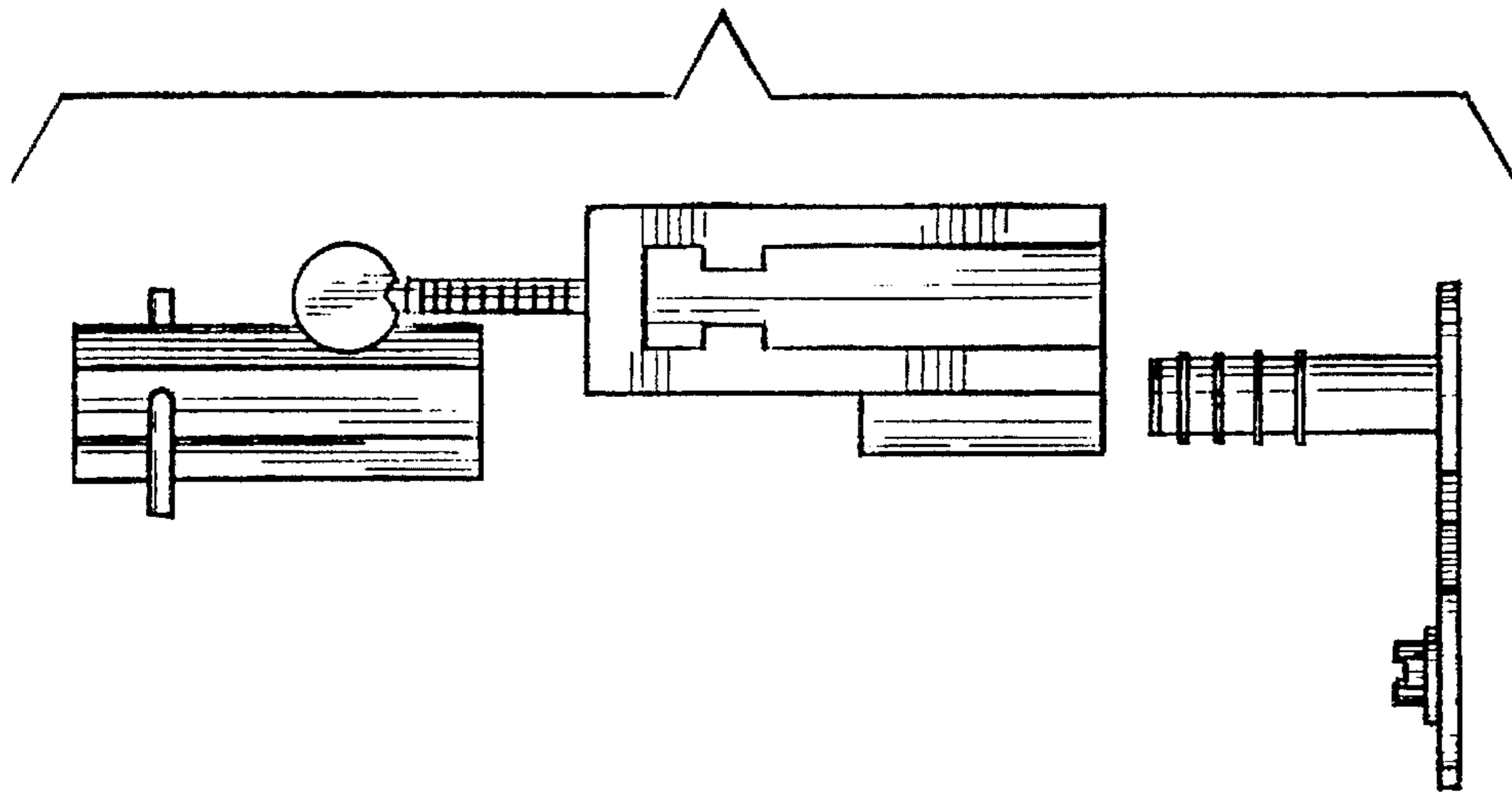


FIG. 5

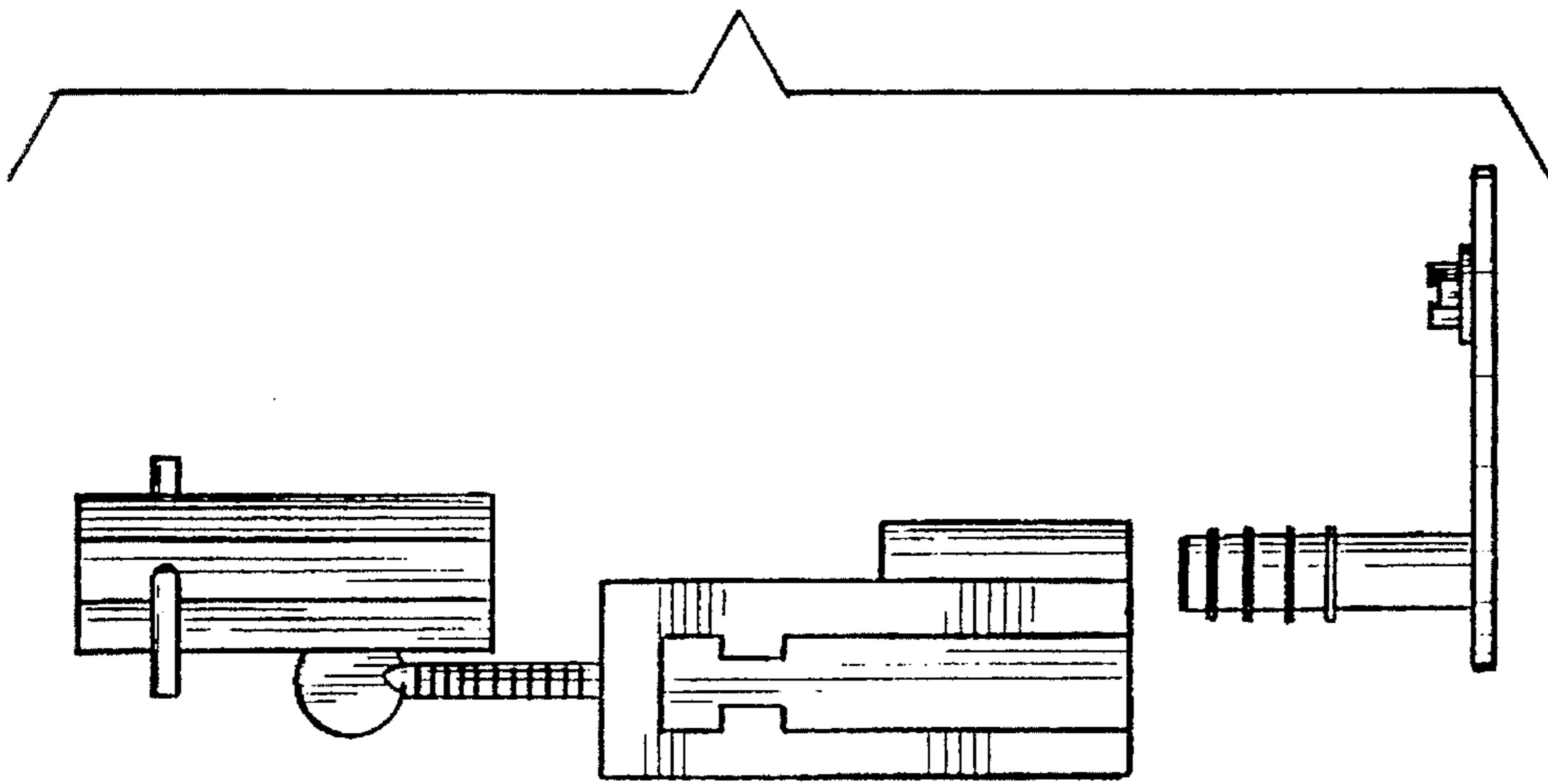


FIG. 4

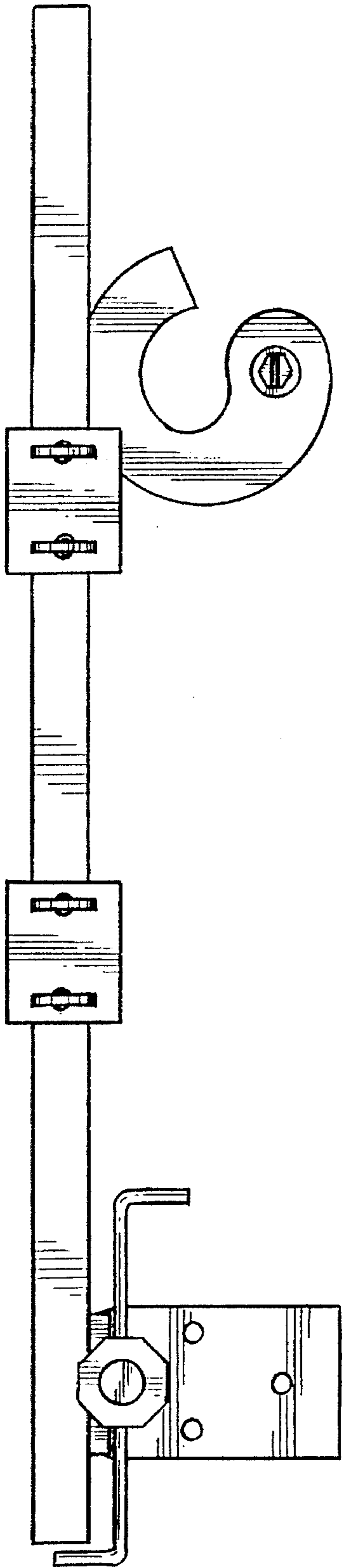


FIG. 6

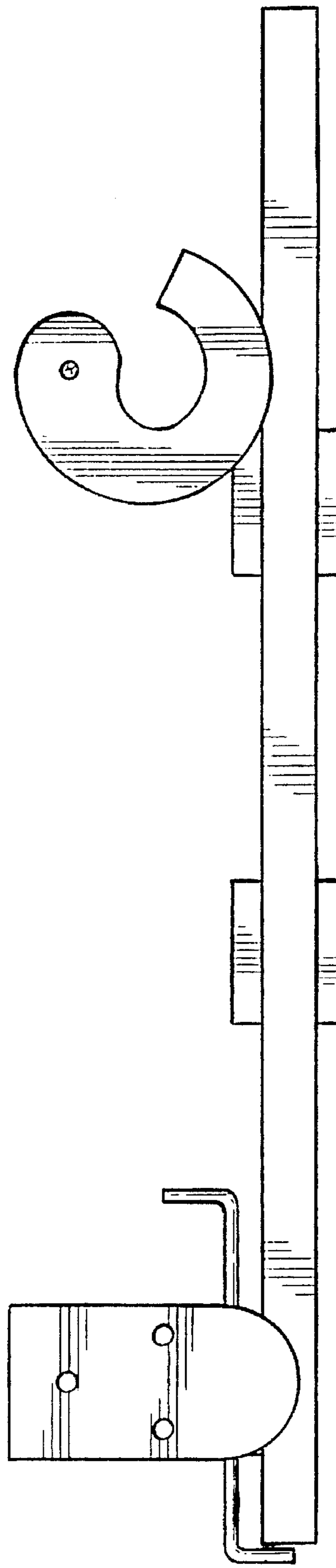


FIG. 7