



US00D367483S

United States Patent [19] Krug

[11] Patent Number: **Des. 367,483**

[45] Date of Patent: ****Feb. 27, 1996**

[54] **BAND SAW**

[75] Inventor: **Heinrich Krug**, Salzburg, Austria

[73] Assignee: **EMCO Maier Gesellschaft M.B.H.**,
Hallein, Austria

[**] Term: **14 Years**

[21] Appl. No.: **27,313**

[22] Filed: **Aug. 18, 1994**

[30] **Foreign Application Priority Data**

Apr. 21, 1994 [DE] Germany 94 03 433.8

[52] **U.S. Cl.** **D15/134**

[58] **Field of Search** D15/133, 134;
83/62.1, 571, 748, 750, 788, 809-820

[56] **References Cited**

U.S. PATENT DOCUMENTS

D. 261,519 10/1981 Irelan D15/134

D. 345,171	3/1994	Watanabe et al.	D15/134
4,356,750	11/1982	Legler et al.	83/817 X
4,960,026	10/1990	Terpstra	83/816 X
5,018,420	5/1991	Plomb	83/816 X

Primary Examiner—Antoine Duval Davis

[57] **CLAIM**

The ornamental design for a band saw, as shown.

DESCRIPTION

FIG. 1 is a front view of a band saw showing my new design;

FIG. 2 is a back view;

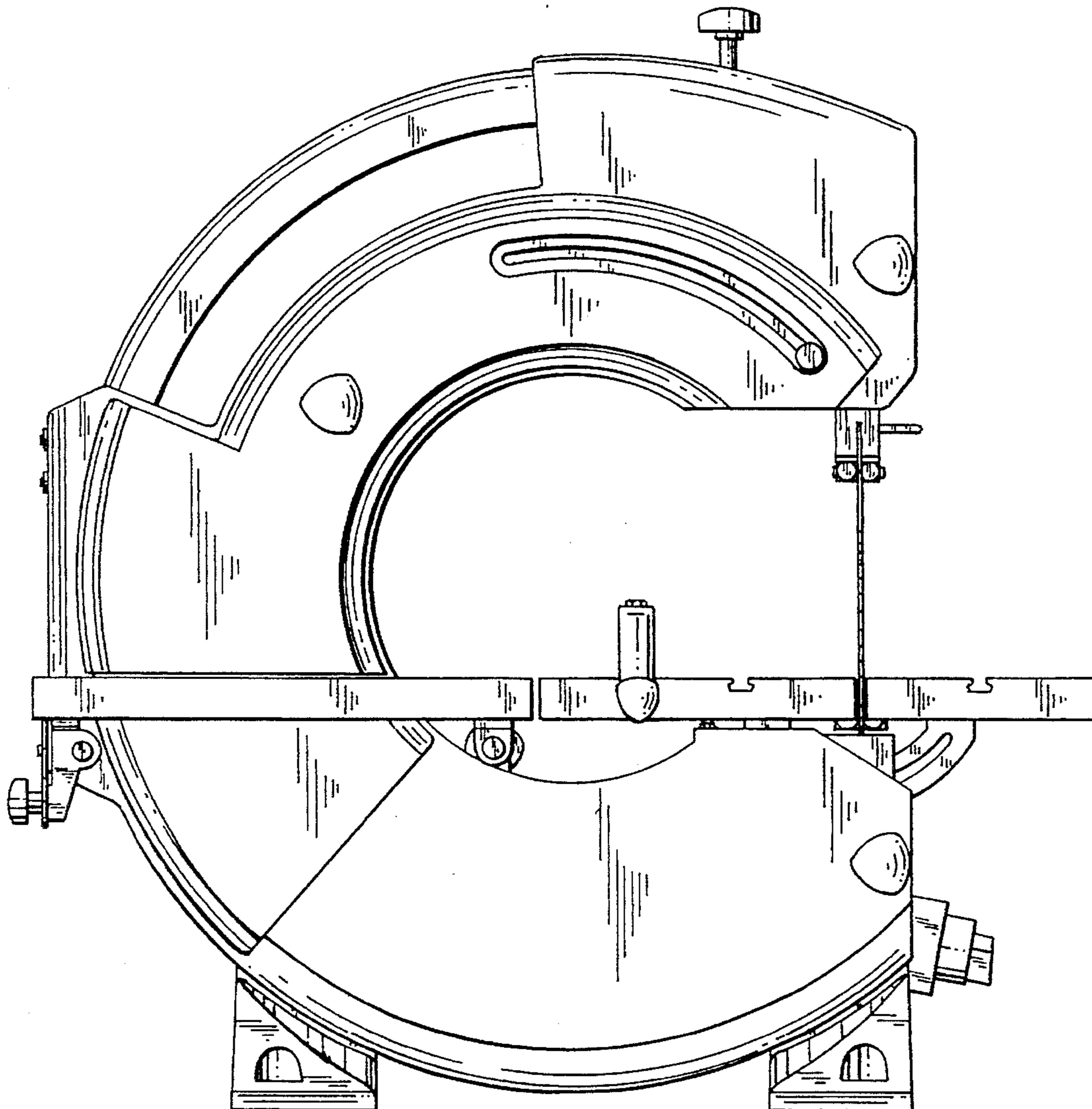
FIG. 3 is a right hand view;

FIG. 4 is a left hand view;

FIG. 5 is a top view; and,

FIG. 6 is a bottom view.

1 Claim, 5 Drawing Sheets



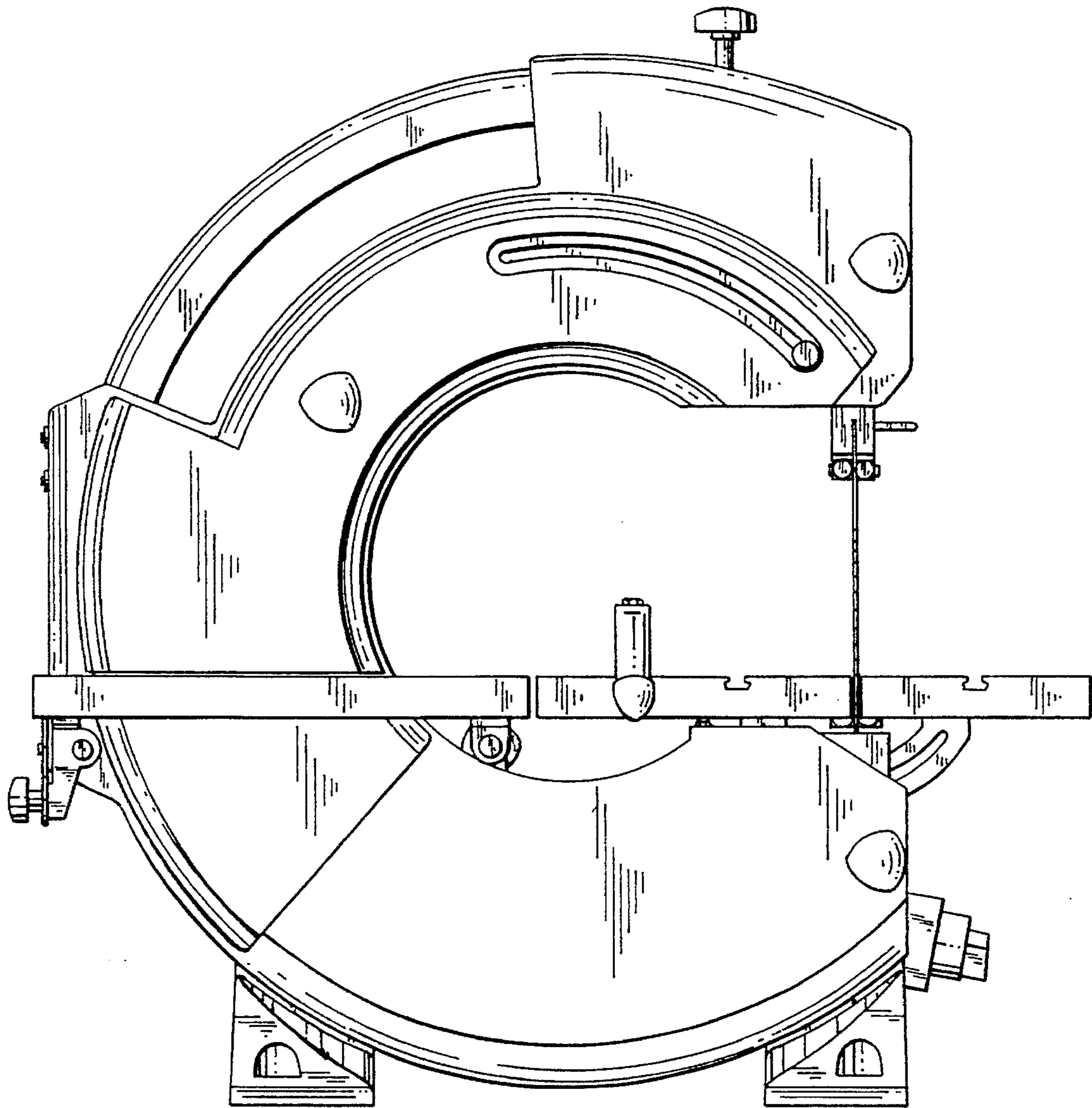


FIG. 1

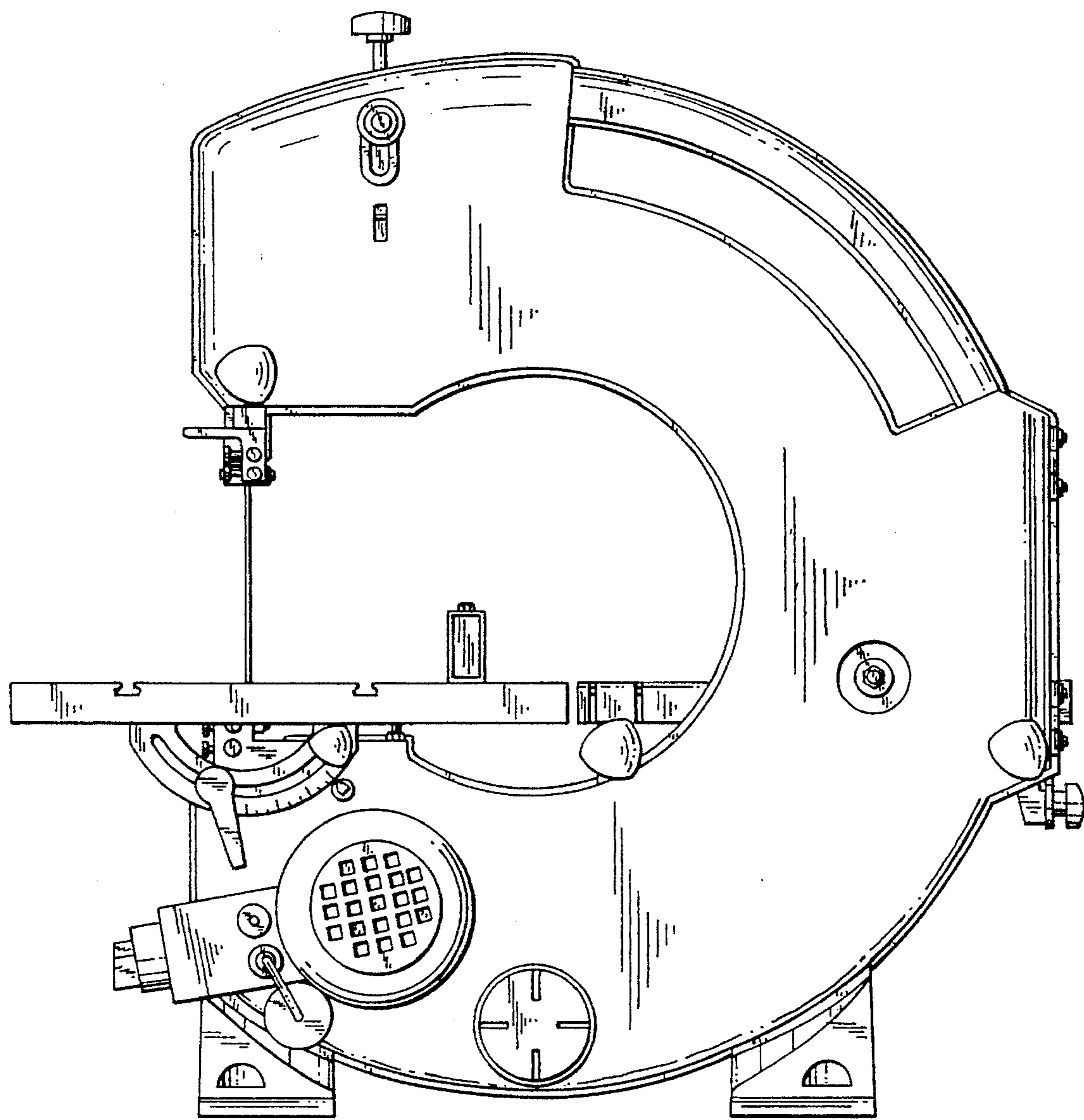


FIG. 2

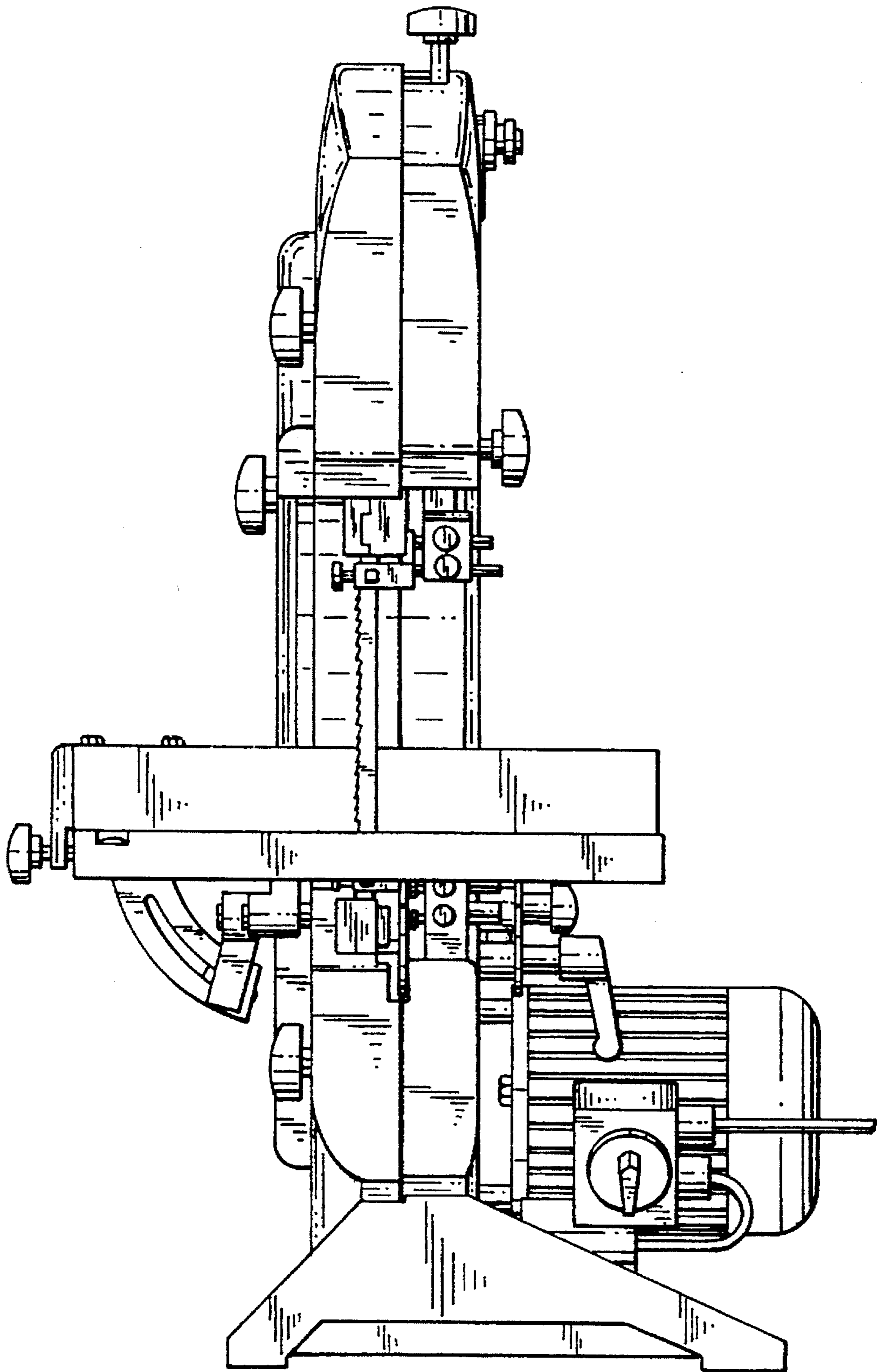


FIG. 3

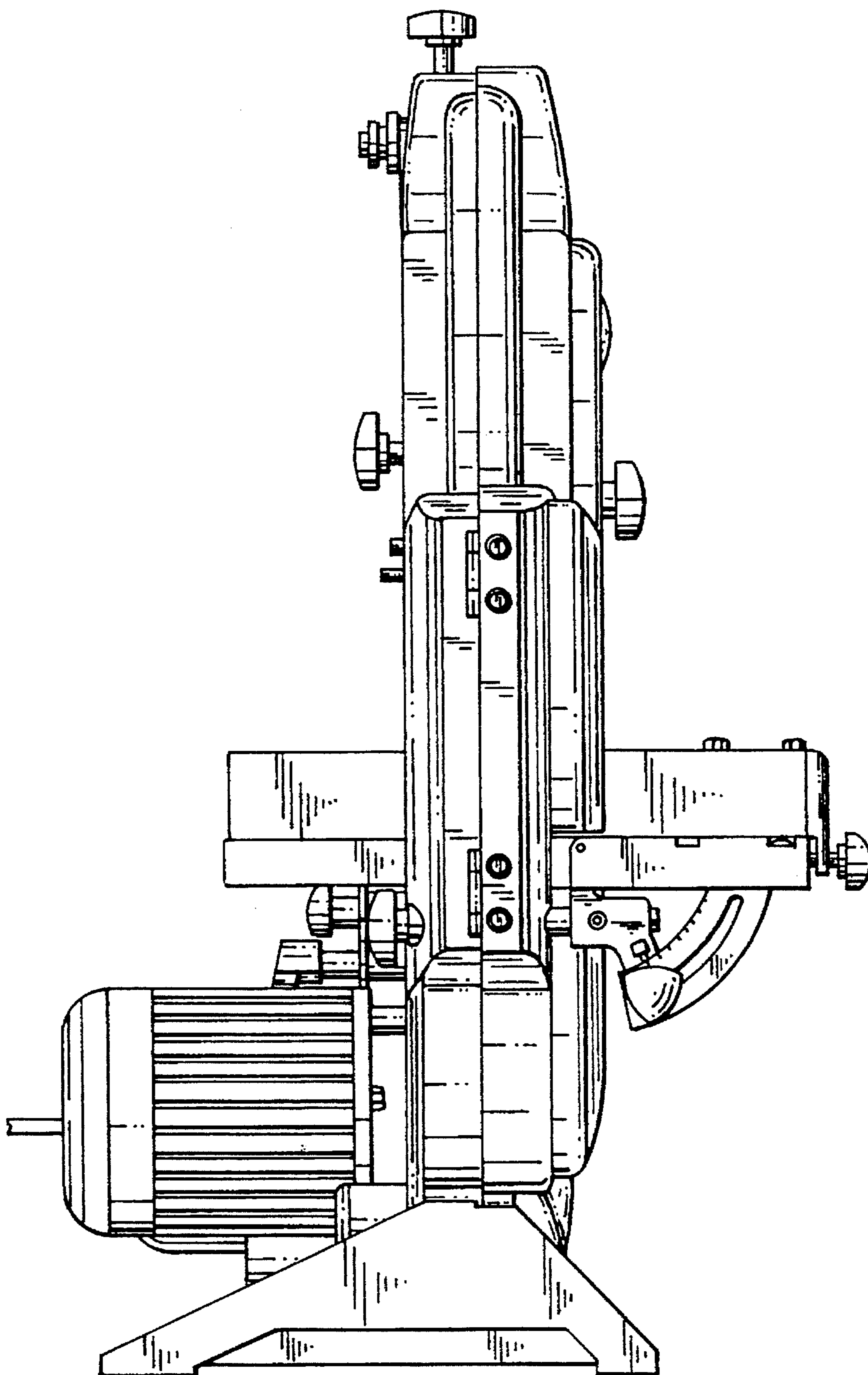


FIG. 4

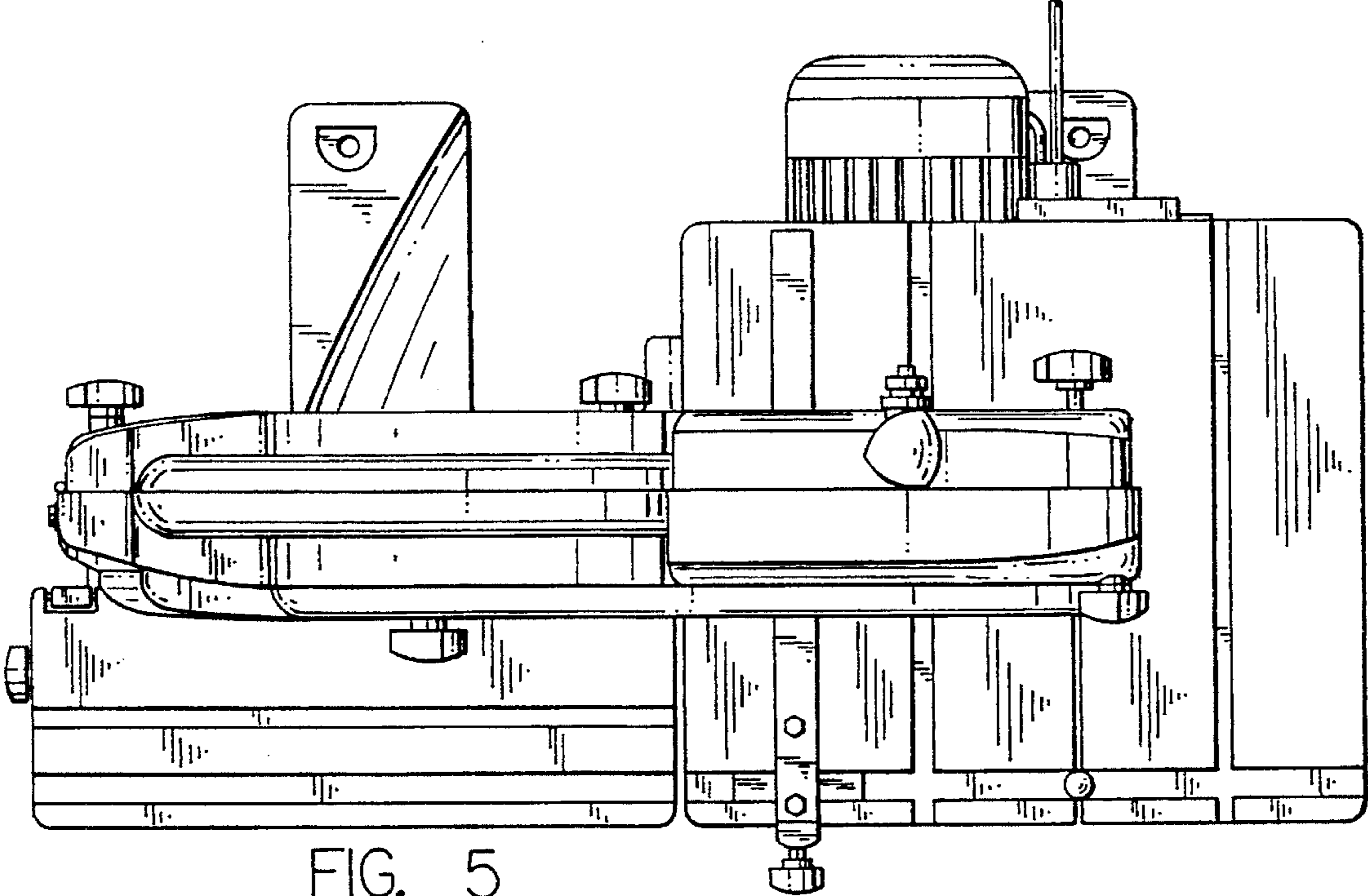


FIG. 5

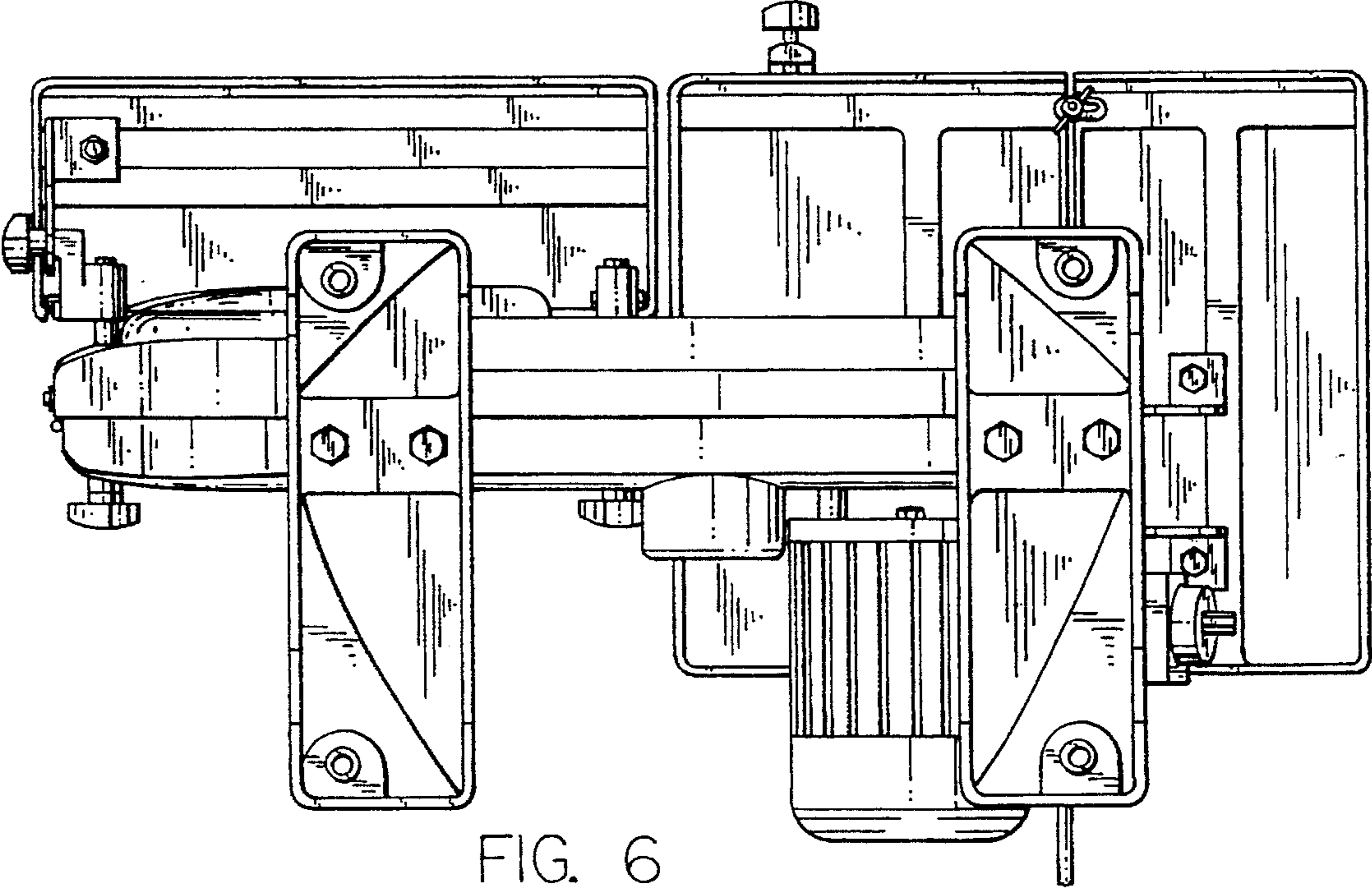


FIG. 6