



US00D367477S

United States Patent [19]

[11] Patent Number: **Des. 367,477**

Rosen

[45] Date of Patent: ****Feb. 27, 1996**

[54] **MONITOR SUPPORT**

[76] Inventor: **John B. Rosen**, 87580 Cherry Ridge Rd., Eugene, Oreg. 97402

[**] Term: **14 Years**

[21] Appl. No.: **29,213**

[22] Filed: **Sep. 30, 1994**

[52] U.S. Cl. **D14/114; D8/354**

[58] Field of Search **D8/354, 373; 248/283, 248/231.7, 917-924; D14/114**

[56] **References Cited**

U.S. PATENT DOCUMENTS

D. 340,235	10/1993	Robak et al. .	
3,291,432	12/1966	Lucasey	248/921 X
4,691,886	9/1987	Wendling et al.	248/920 X
4,706,919	11/1987	Soberalski et al.	248/918 X
5,076,524	12/1991	Reh et al. .	
5,107,402	4/1992	Malgouires	248/921 X
5,177,616	1/1993	Riday .	
5,179,447	1/1993	Lain .	
5,195,709	3/1993	Yasushi .	
5,222,780	6/1993	Reh et al. .	

FOREIGN PATENT DOCUMENTS

234754	5/1911	Germany	224/201
PCT/JP90/00180	9/1990	WIPO .	

Primary Examiner—A. Hugo Word
Assistant Examiner—Holly H. Baynham
Attorney, Agent, or Firm—Kolisch Hartwell Dickinson McCormack & Heuser

[57] **CLAIM**

The ornamental design for monitor support, as shown and described.

DESCRIPTION

FIG. 1 is an isometric view of a monitor support showing my new design;

FIG. 2 is a rear elevation thereof;

FIG. 3 is a right side elevation thereof;

FIG. 4 is a front elevation thereof;

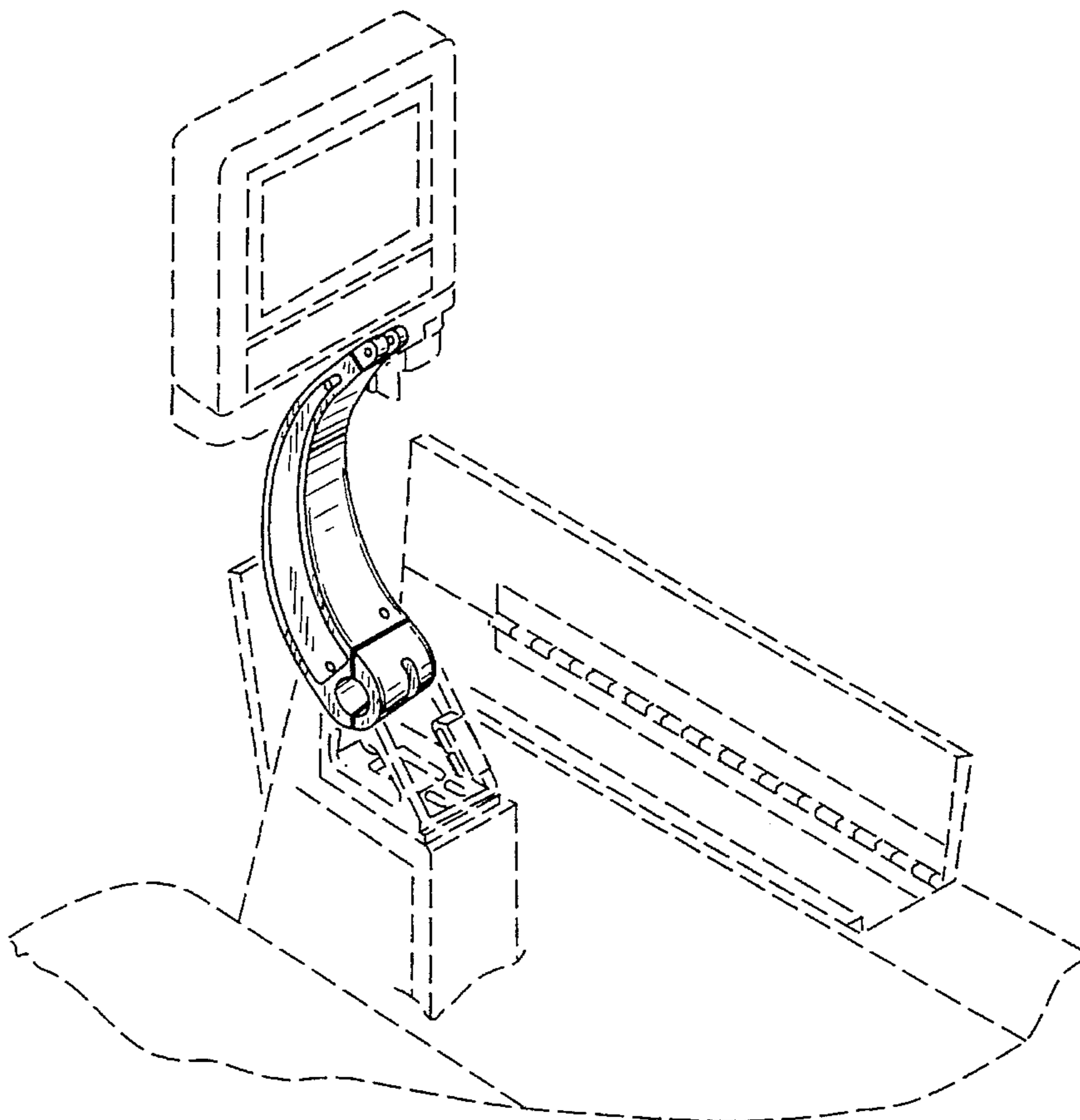
FIG. 5 is a top plan view thereof;

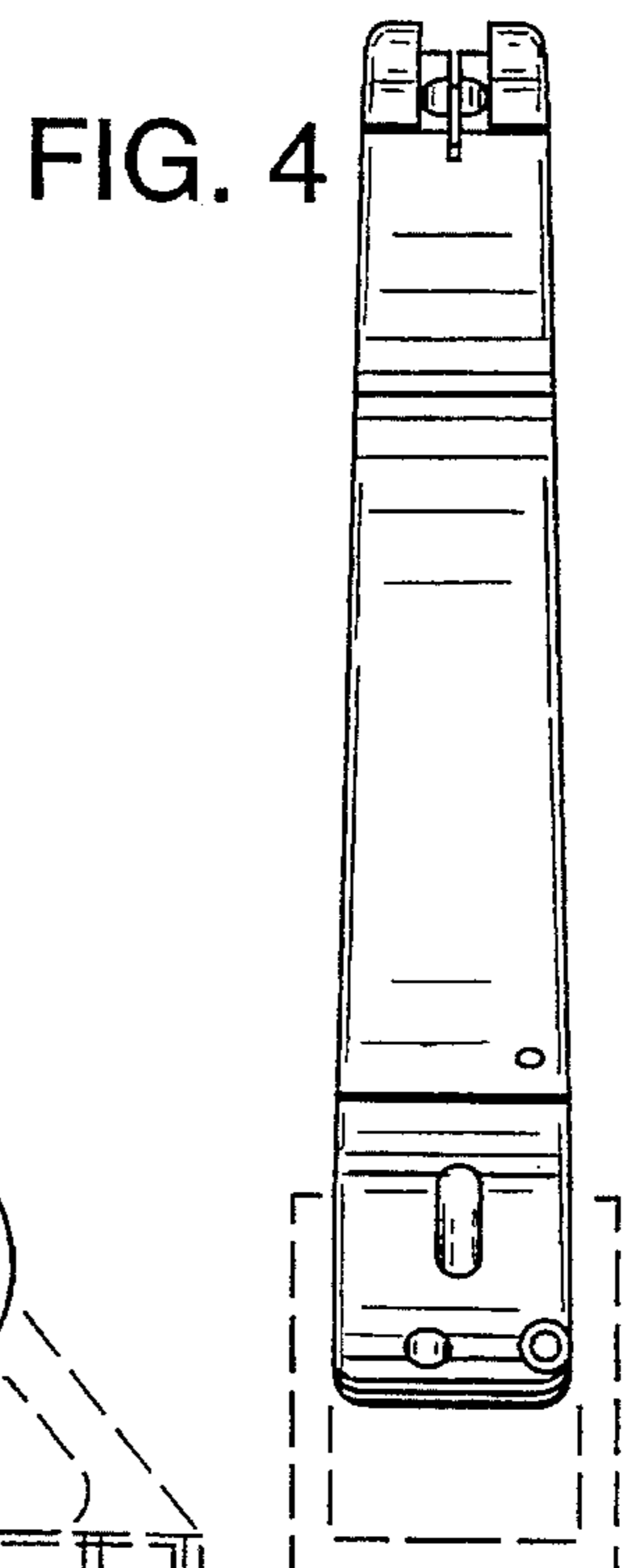
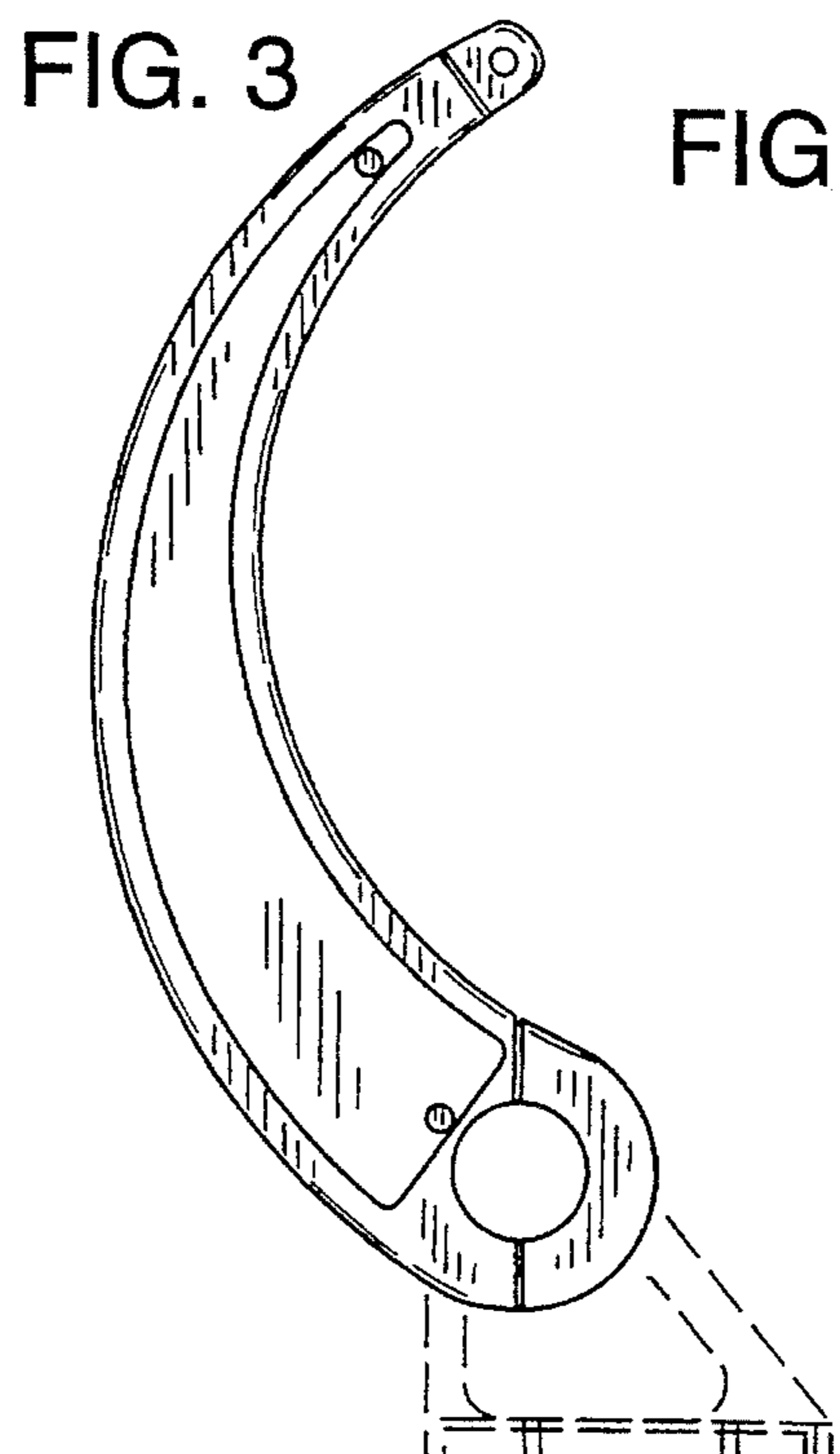
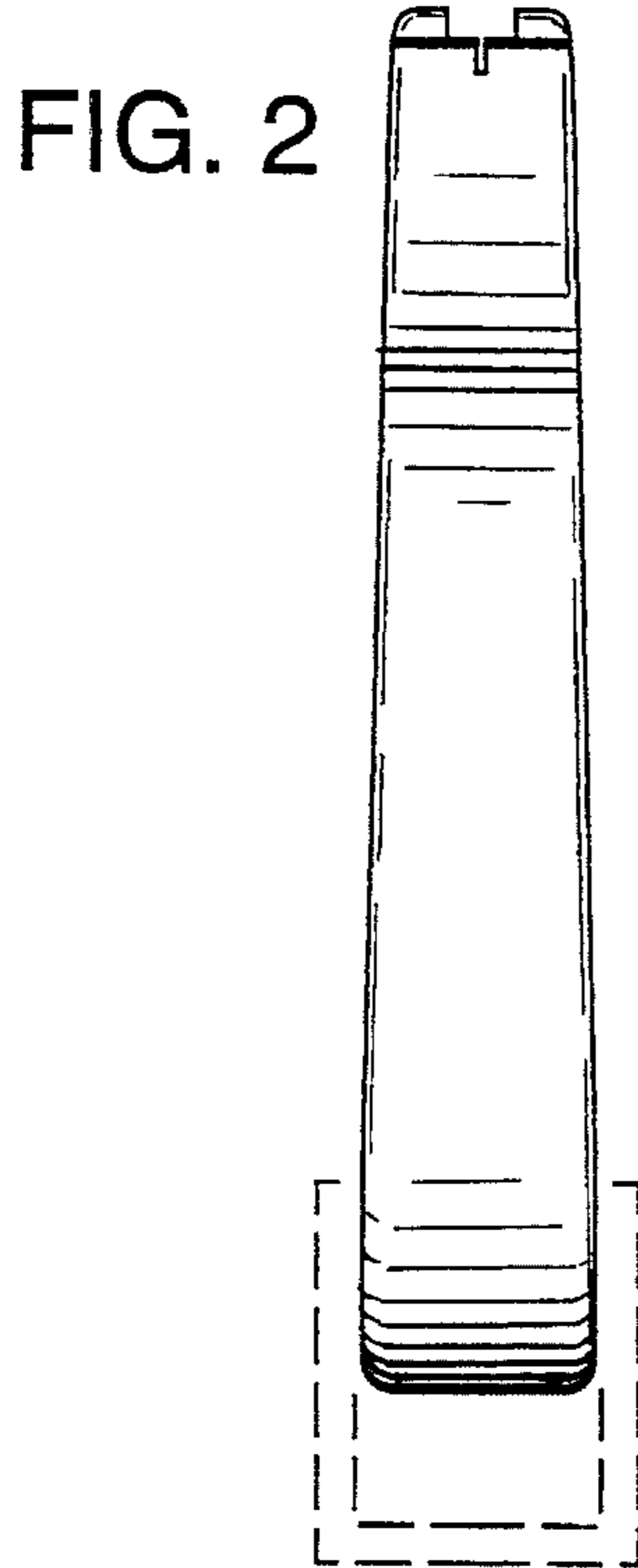
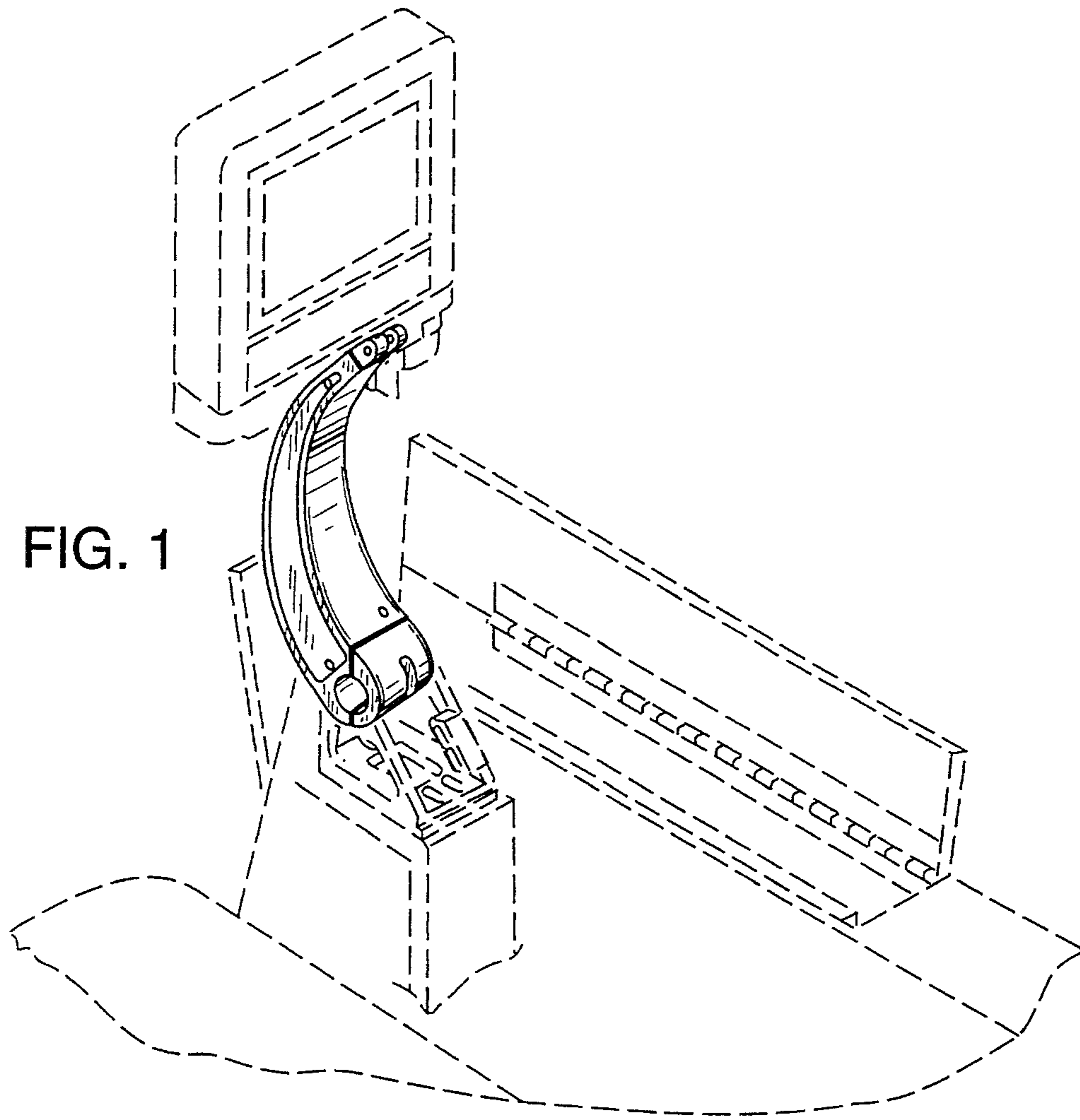
FIG. 6 is a left side elevation thereof; and,

FIG. 7 is a bottom plan view thereof.

The broken line showing of partial computer structure is for illustrative purposes only and forms no part of the claimed design.

1 Claim, 2 Drawing Sheets





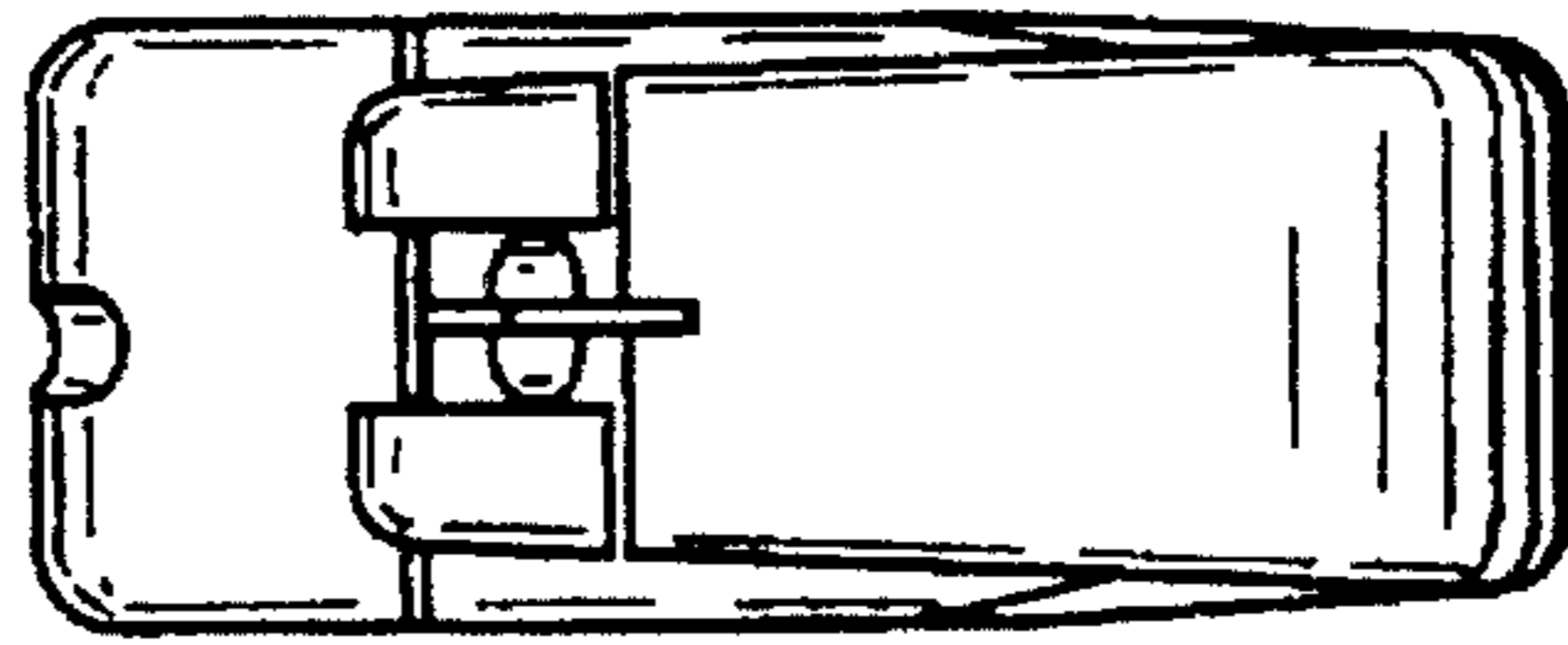


FIG. 5

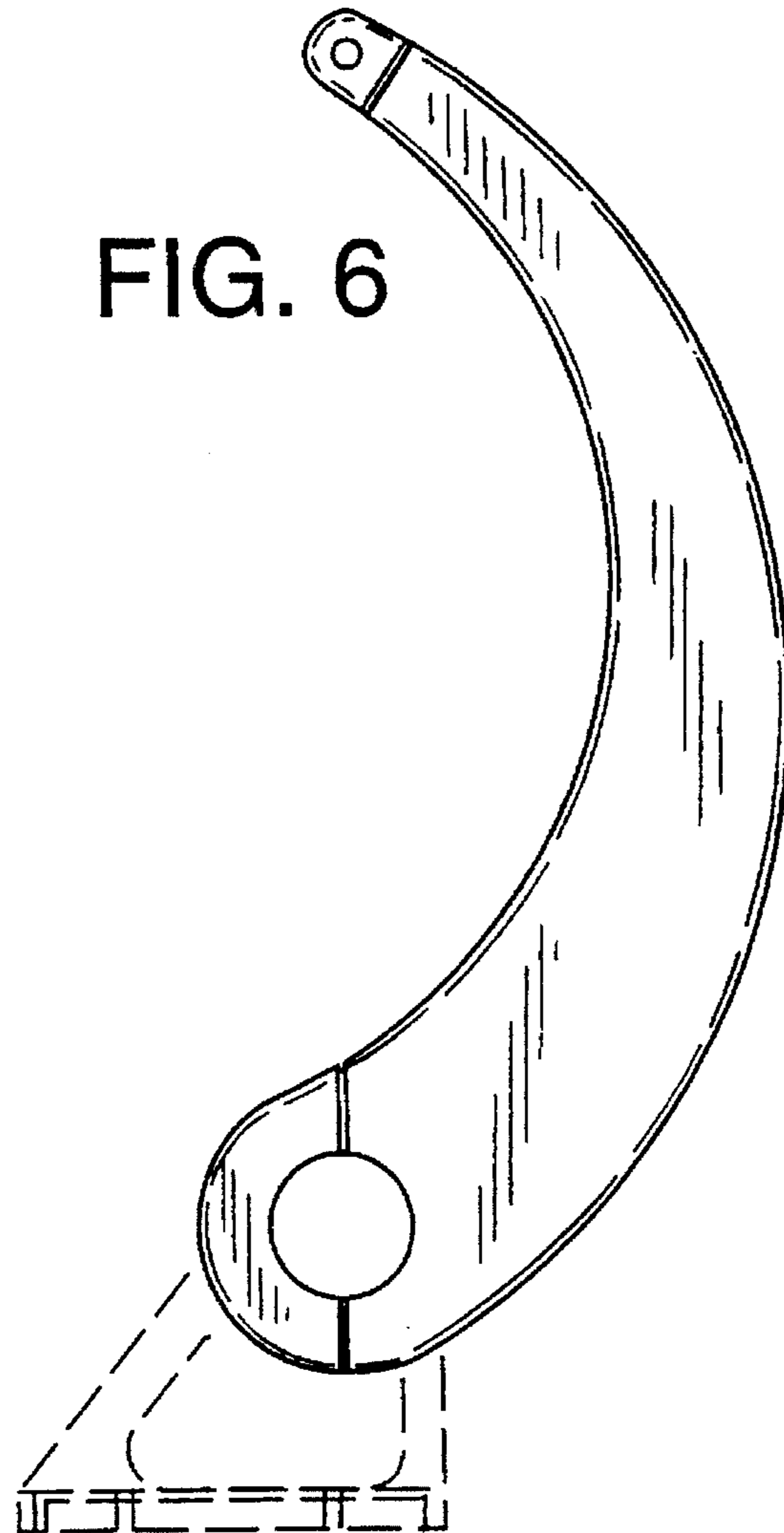


FIG. 6

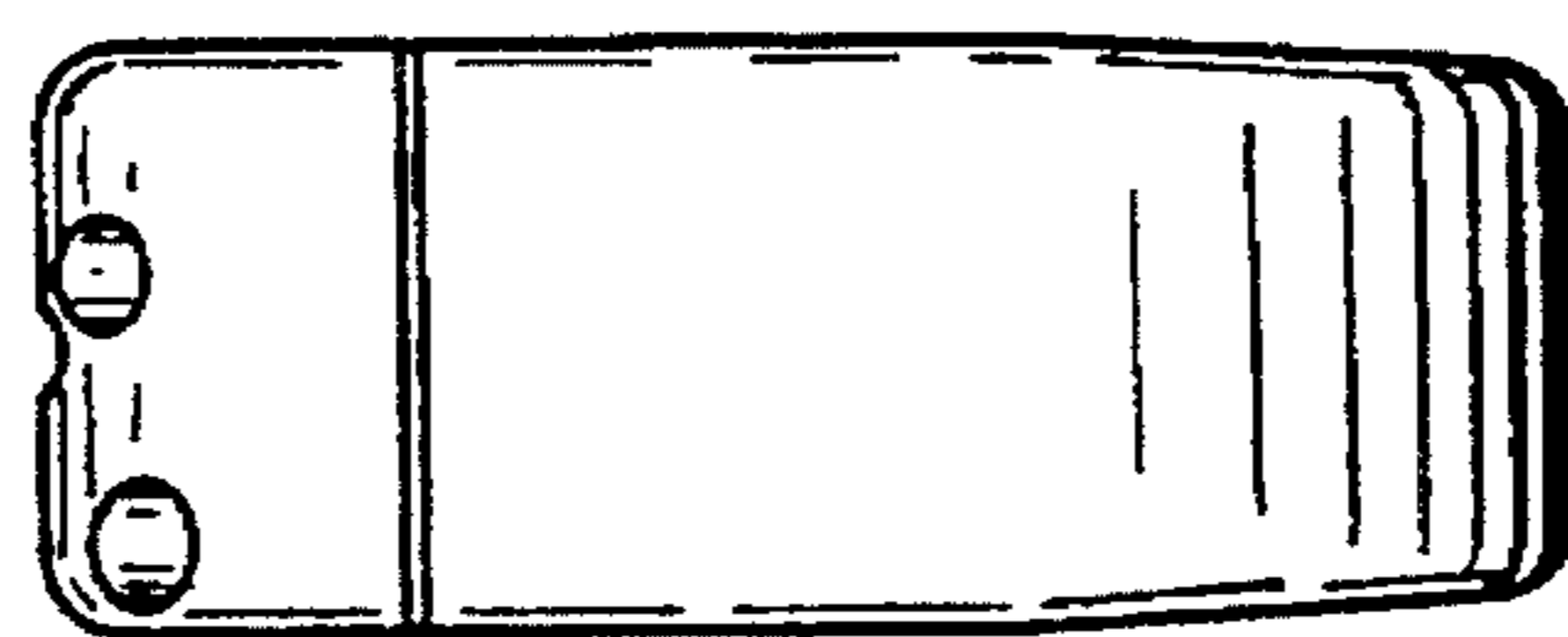


FIG. 7