



US00D367469S

United States Patent [19]

[11] Patent Number: **Des. 367,469**

Widmayer et al.

[45] Date of Patent: ****Feb. 27, 1996**

[54] HEAT SINK

D. 316,705 5/1991 Dickey D13/179

[76] Inventors: **Robert B. Widmayer**, 5206 Irish La.,
Harvard, Ill. 60033; **Ken Larson**, 255
Monterey, Elmhurst, Ill. 60126

D. 338,449 8/1993 Sahyoun D13/179

4,753,290 6/1988 Gabuzda 165/185

[**] Term: **14 Years**

Primary Examiner—Joel Sincavage
Attorney, Agent, or Firm—James A. Coffing

[21] Appl. No.: **28,537**

[57] **CLAIM**

The ornamental design for a heat sink, as shown and described.

[22] Filed: **Sep. 19, 1994**

[52] U.S. Cl. **D13/179**

DESCRIPTION

[58] Field of Search D13/179; 257/706,
257/707, 719, 718, 720, 721, 722; 361/704,
709, 710, 718; 165/180, 185

FIG. 1 is a right front top perspective view of our heat sink,
in accordance with the present invention;

FIG. 2 is a bottom elevational view thereof;

FIG. 3 is a left side elevational view thereof;

FIG. 4 is a rear plan view thereof; and,

FIG. 5 is a top plan view thereof.

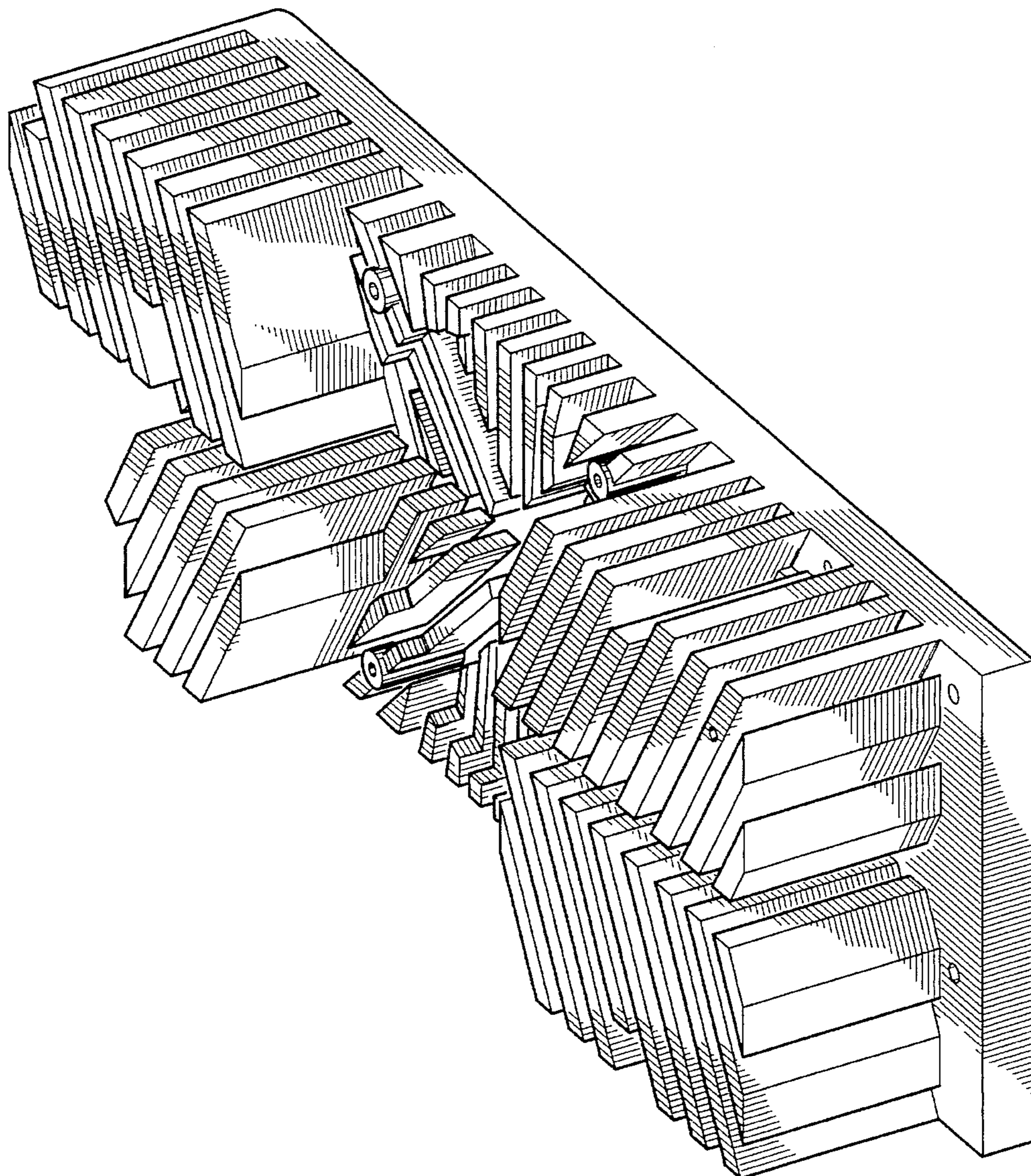
[56] **References Cited**

U.S. PATENT DOCUMENTS

D. 203,543 1/1966 Coe D13/179

D. 292,914 11/1987 Moeller D13/179 X

1 Claim, 3 Drawing Sheets



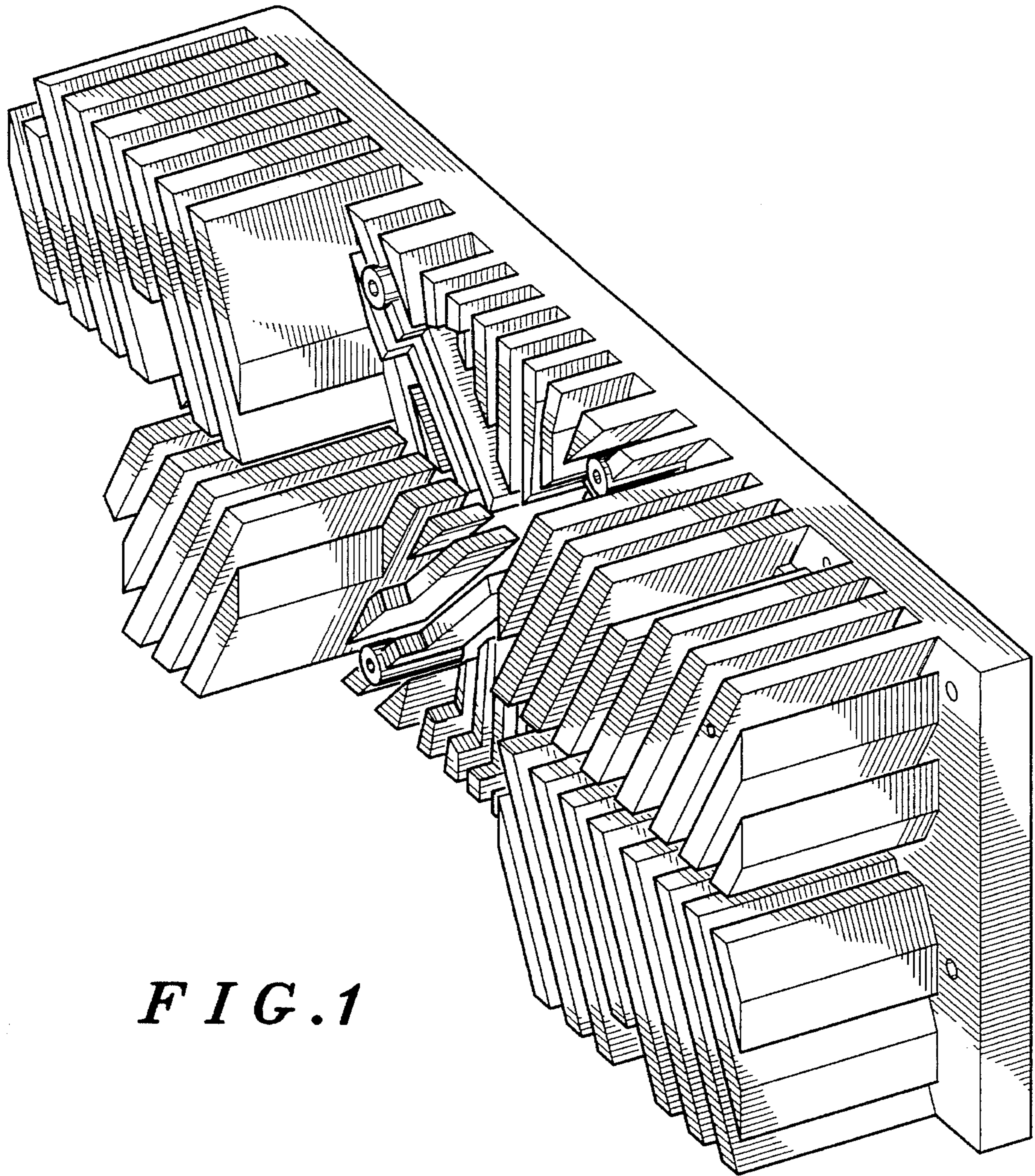


FIG. 1

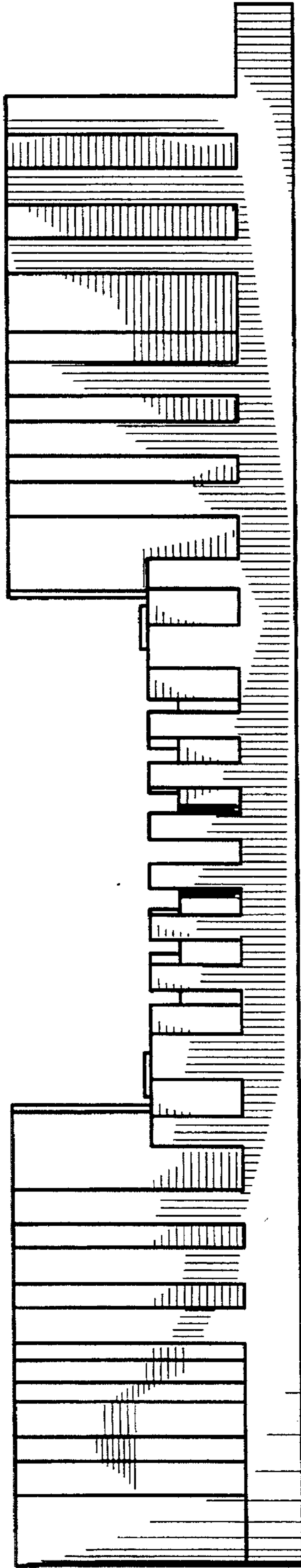


FIG. 2

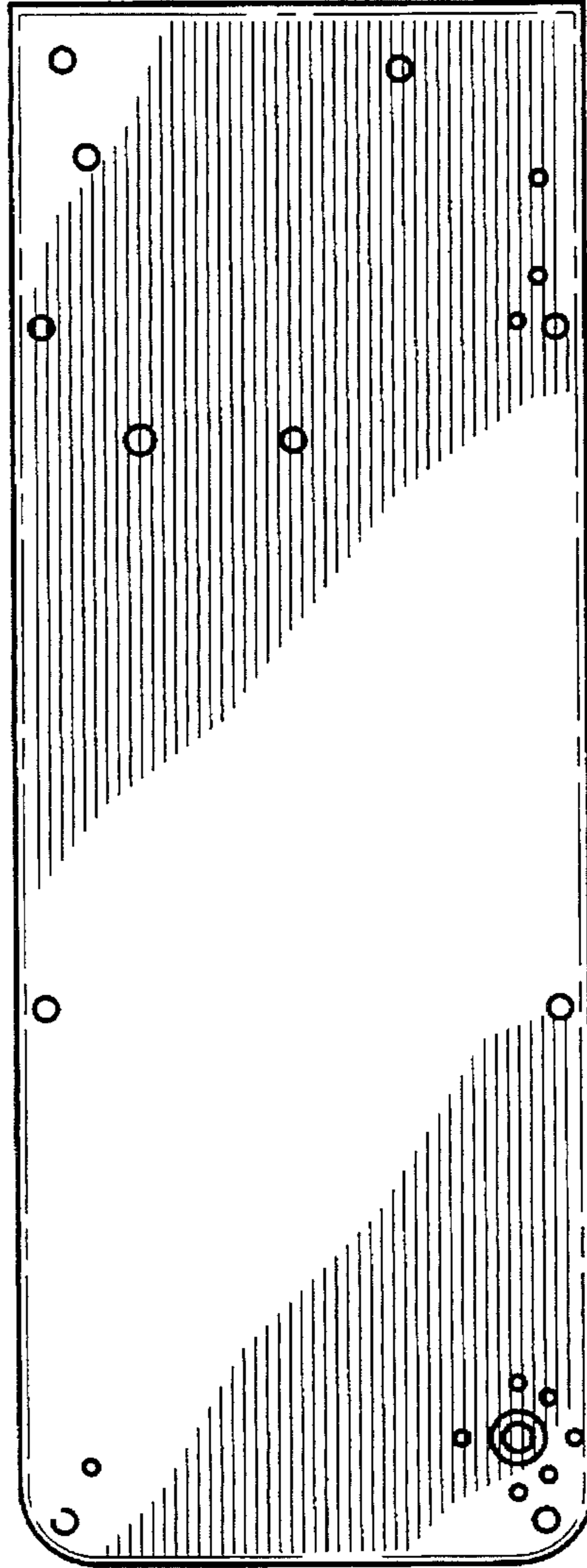


FIG. 4

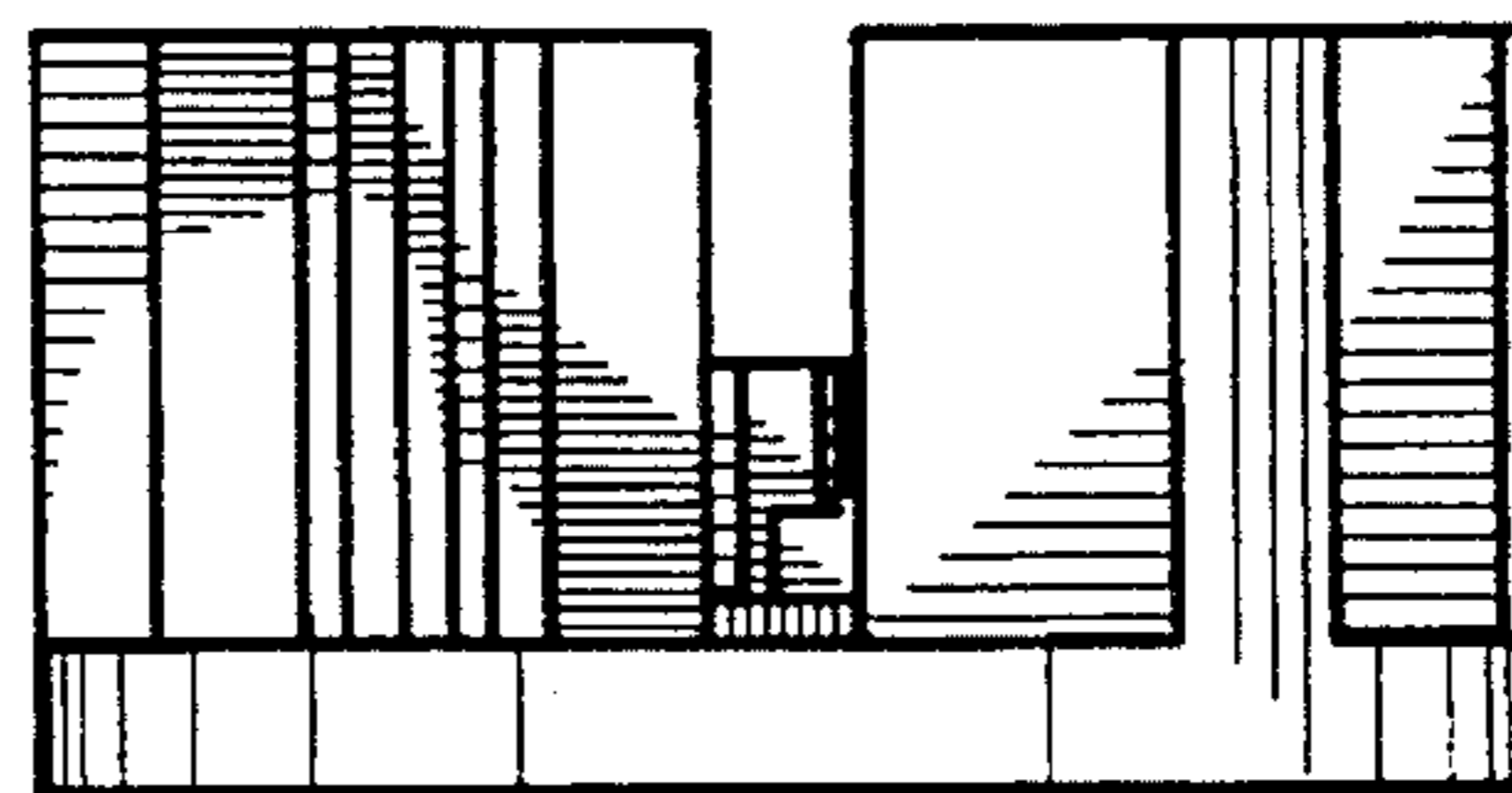


FIG. 3

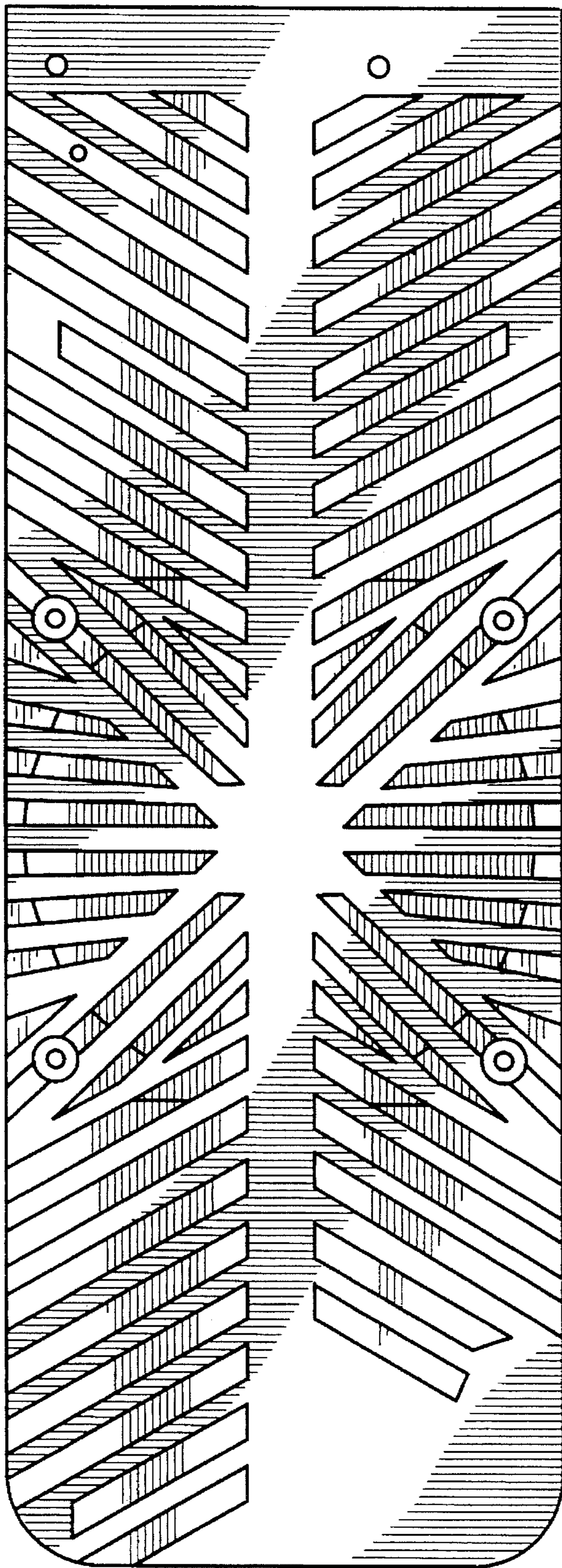


FIG. 5