



US00D367468S

United States Patent [19] Nakamura

[11] Patent Number: **Des. 367,468**

[45] Date of Patent: ****Feb. 27, 1996**

[54] **SPACE HOLDER FOR ELECTRONIC PARTS**

5,366,388 11/1994 Freeman et al. 439/49 X

[75] Inventor: **Toshinobu Nakamura**, Tokyo, Japan

FOREIGN PATENT DOCUMENTS

[73] Assignee: **Shinagawa Shoko Co., Ltd.**, Tokyo, Japan

1331301 9/1973 United Kingdom 439/135

[**] Term: **14 Years**

Primary Examiner—Joel Sincavage
Attorney, Agent, or Firm—Banner & Allegretti, Ltd.

[21] Appl. No.: **35,971**

[57] CLAIM

[22] Filed: **Mar. 3, 1995**

The ornamental design for space holder for electronic parts, as shown and described.

[52] U.S. Cl. **D13/154**

DESCRIPTION

[58] Field of Search D13/154, 182;
439/49, 135, 148, 544; 174/67; 220/3.8;
361/829

FIG. 1 is a perspective view of a space holder for electronic parts embodying the present design;
FIG. 2 is a front elevational view thereof;
FIG. 3 is a left side elevational view thereof;
FIG. 4 is a top plan view thereof;
FIG. 5 is a bottom plan view thereof;
FIG. 6 is a cut away view on lines 6—6 of FIG. 2; and,
FIG. 7 is a cut away view on lines 7—7 of FIG. 4.

[56] References Cited

U.S. PATENT DOCUMENTS

D. 278,143	3/1985	Hill	D13/182	X
4,761,712	8/1988	Ito et al.	361/829	
4,986,096	1/1991	Soehner et al.	220/3.8	X
5,044,985	9/1991	Sheen	439/544	

1 Claim, 2 Drawing Sheets

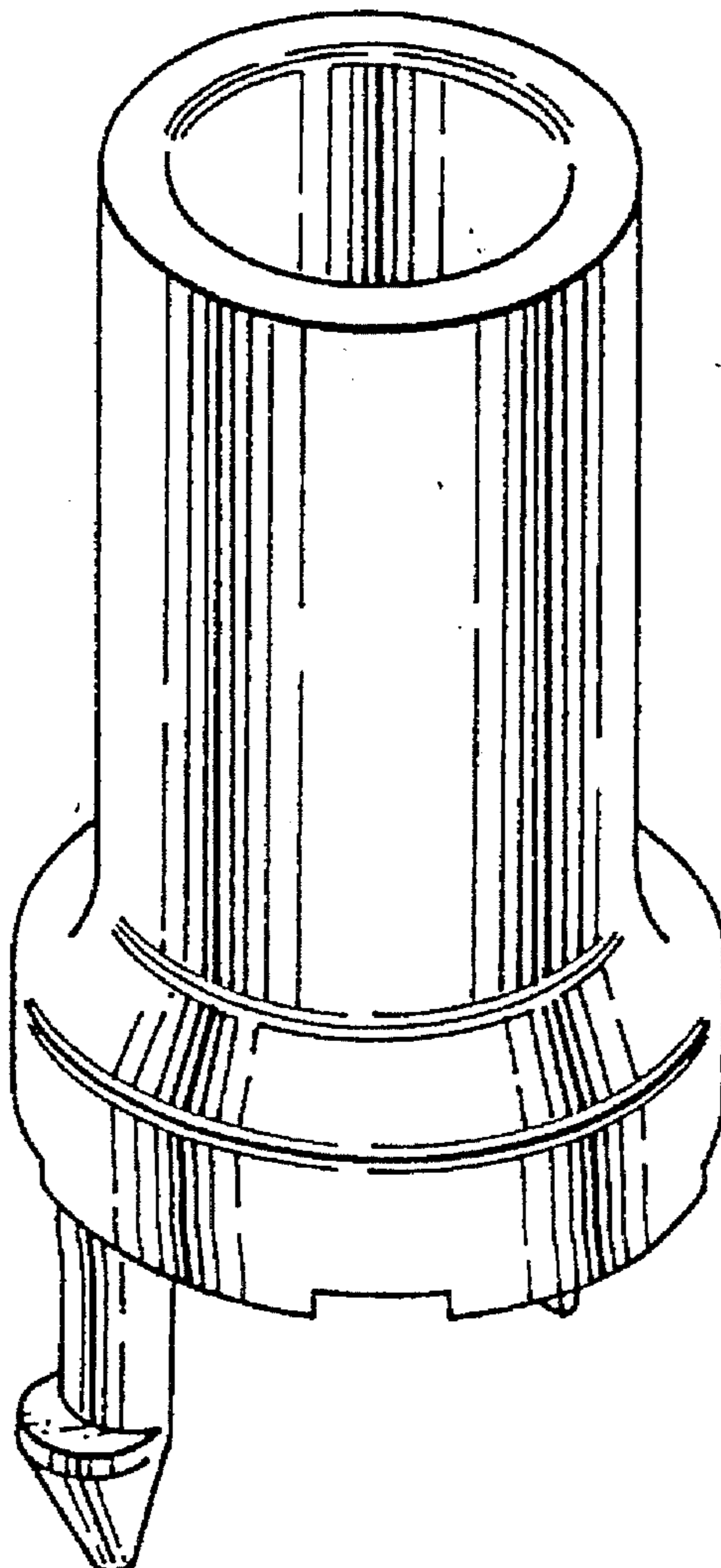


FIG. 1

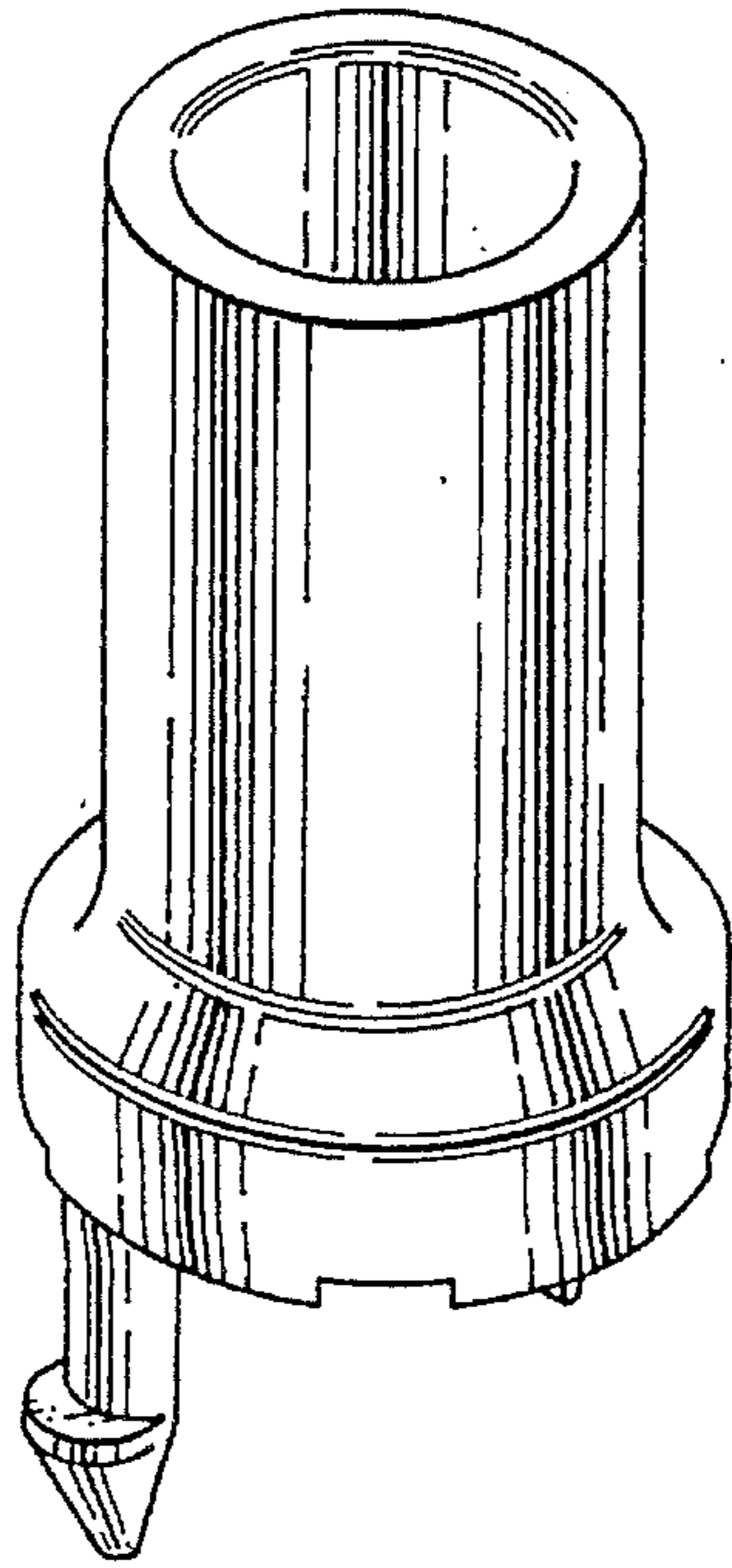


FIG. 3

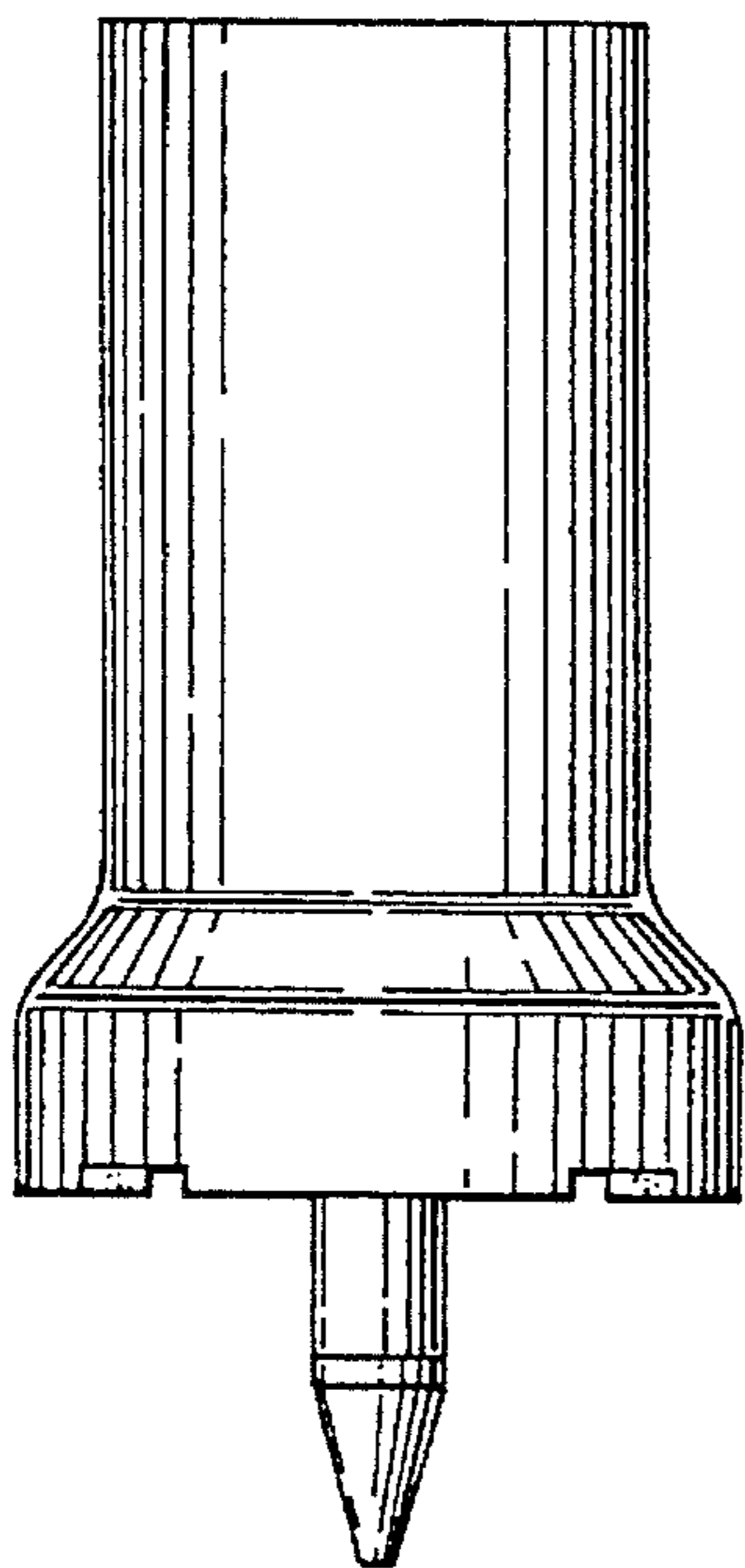


FIG. 2

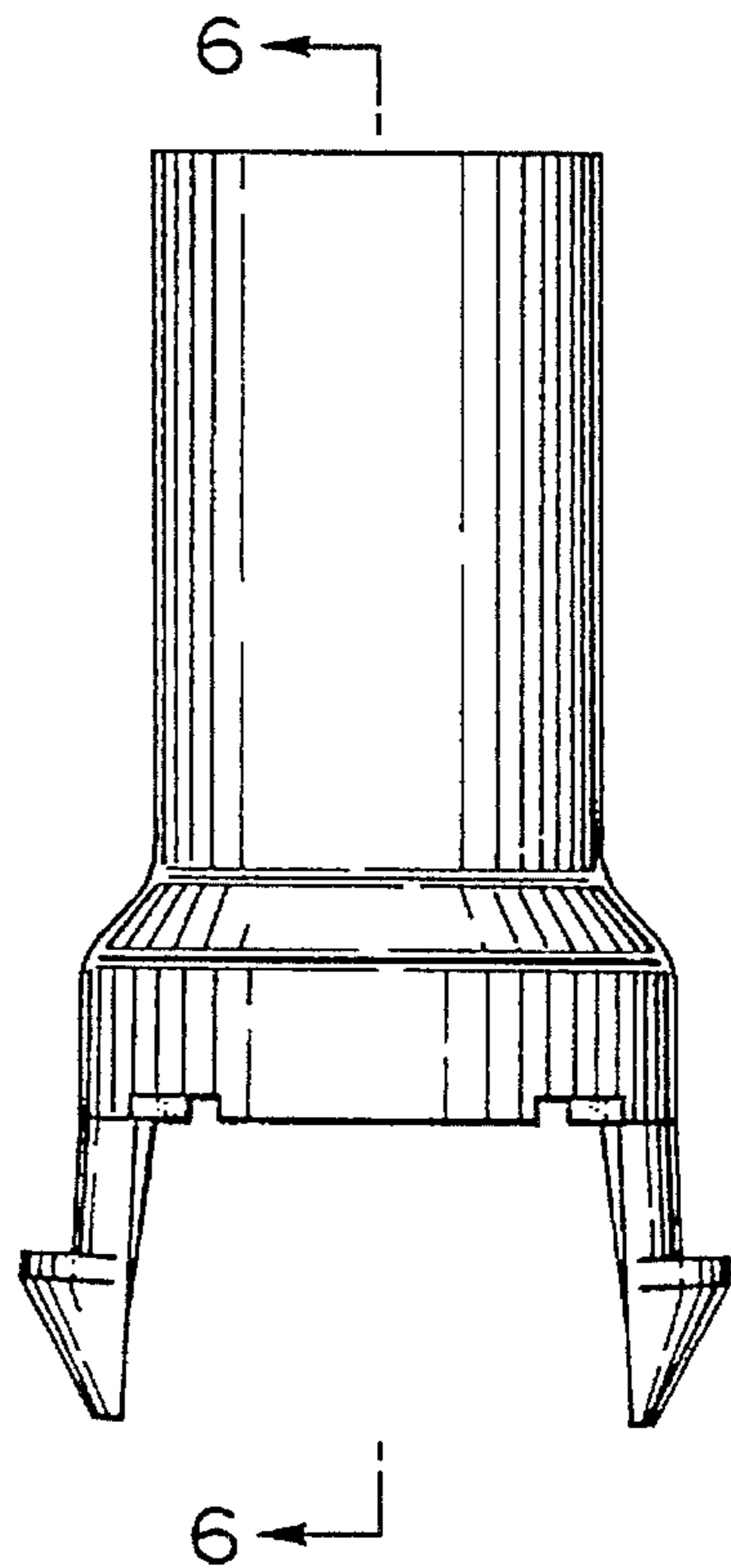


FIG. 5

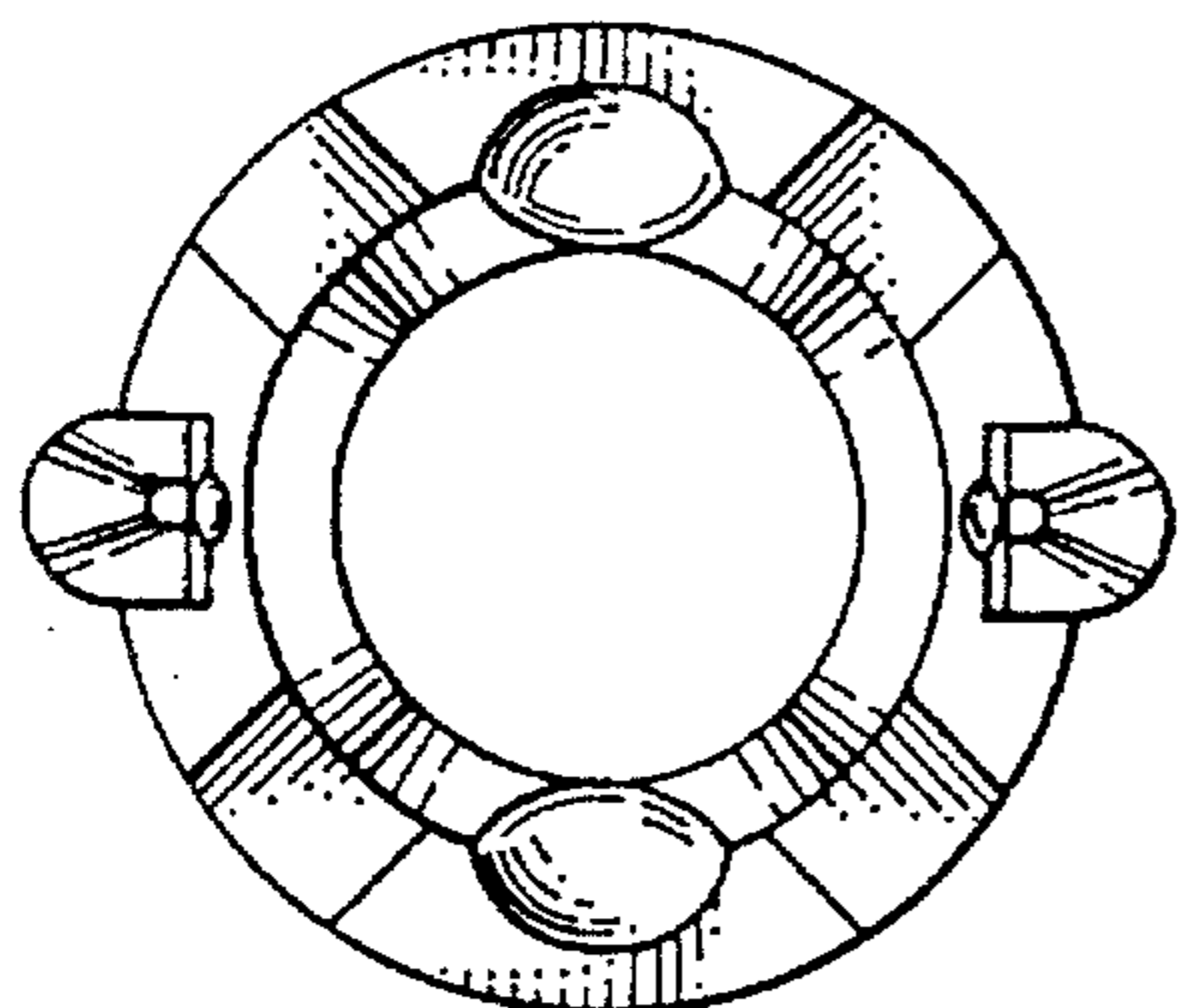


FIG. 4

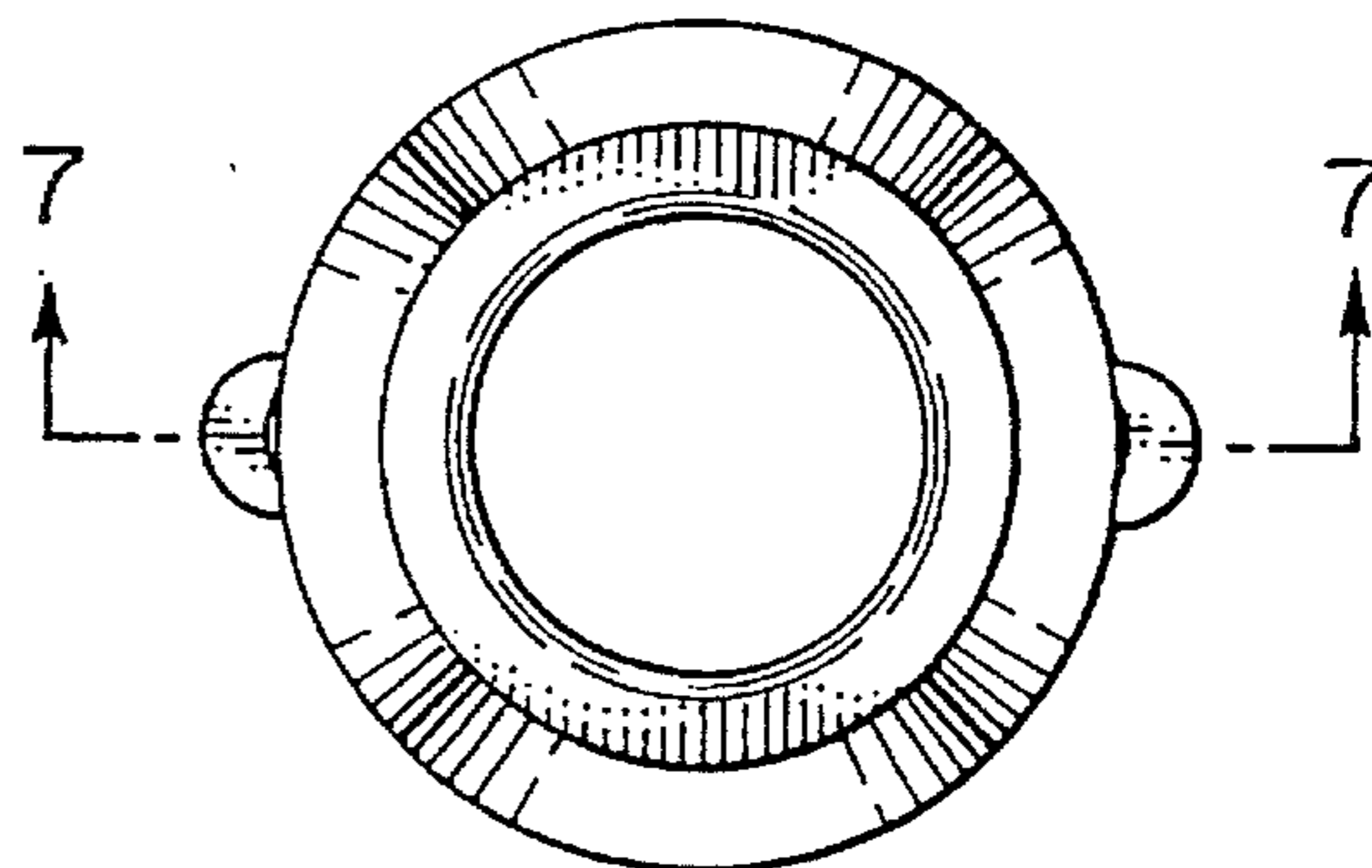


FIG. 7

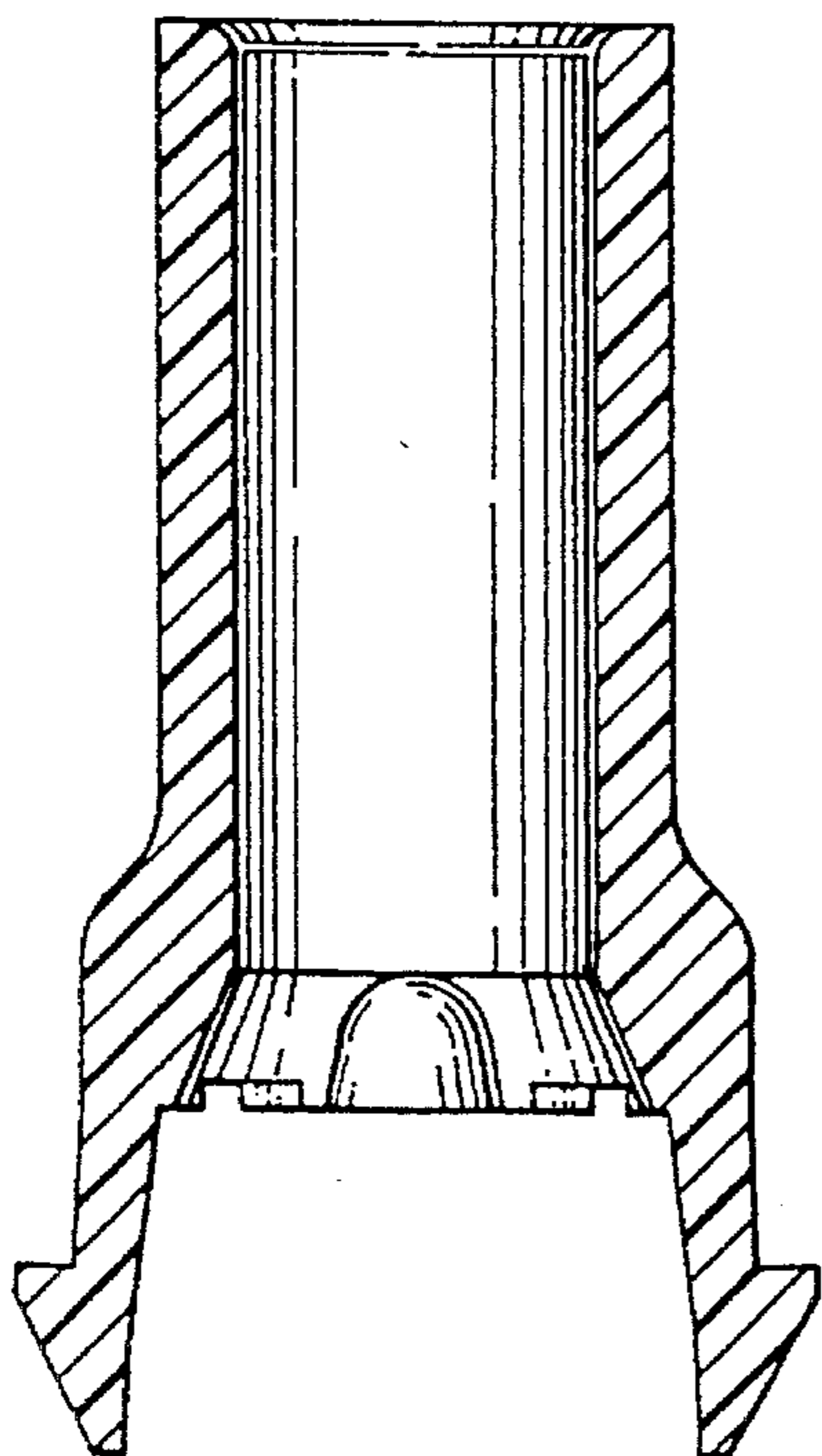


FIG. 6

