



US00D367467S

**United States Patent** [19]  
**Nakamura**

[11] **Patent Number: Des. 367,467**

[45] **Date of Patent: \*\*Feb. 27, 1996**

[54] **SPACE HOLDER FOR ELECTRONIC PARTS**

[75] Inventor: **Toshinobu Nakamura**, Tokyo, Japan

[73] Assignee: **Shinagawa Shoko Co., Ltd.**, Tokyo, Japan

[\*\*] Term: **14 Years**

[21] Appl. No.: **35,863**

[22] Filed: **Mar. 8, 1995**

[30] **Foreign Application Priority Data**

Dec. 2, 1994 [JP] Japan ..... 6-36628

[52] **U.S. Cl.** ..... **D13/154**

[58] **Field of Search** ..... D13/154, 182;  
439/49, 135, 148, 544; 174/67; 220/3.8;  
361/829

[56] **References Cited**

**U.S. PATENT DOCUMENTS**

D. 278,143 3/1985 Hill ..... D13/182 X  
4,761,712 8/1988 Ito et al. .... 361/829

4,986,096 1/1991 Soehner et al. .... 220/3.8 X  
5,044,985 9/1991 Sheen ..... 439/544  
5,366,388 11/1994 Freeman et al. .... 439/49 X

**FOREIGN PATENT DOCUMENTS**

1331301 9/1973 United Kingdom ..... 439/135

*Primary Examiner*—Joel Sincavage  
*Attorney, Agent, or Firm*—Banner & Allegretti, Ltd.

[57] **CLAIM**

The ornamental design for space holder for electronic parts, as shown and described.

**DESCRIPTION**

FIG. 1 is a perspective view of a space holder for electronic parts embodying the present design;  
FIG. 2 is a front elevational view thereof;  
FIG. 3 is a left side elevational view thereof;  
FIG. 4 is a top plan view thereof;  
FIG. 5 is a bottom plan view thereof; and,  
FIG. 6 is a sectional view taken along lines 6—6 of FIG. 4.

**1 Claim, 2 Drawing Sheets**

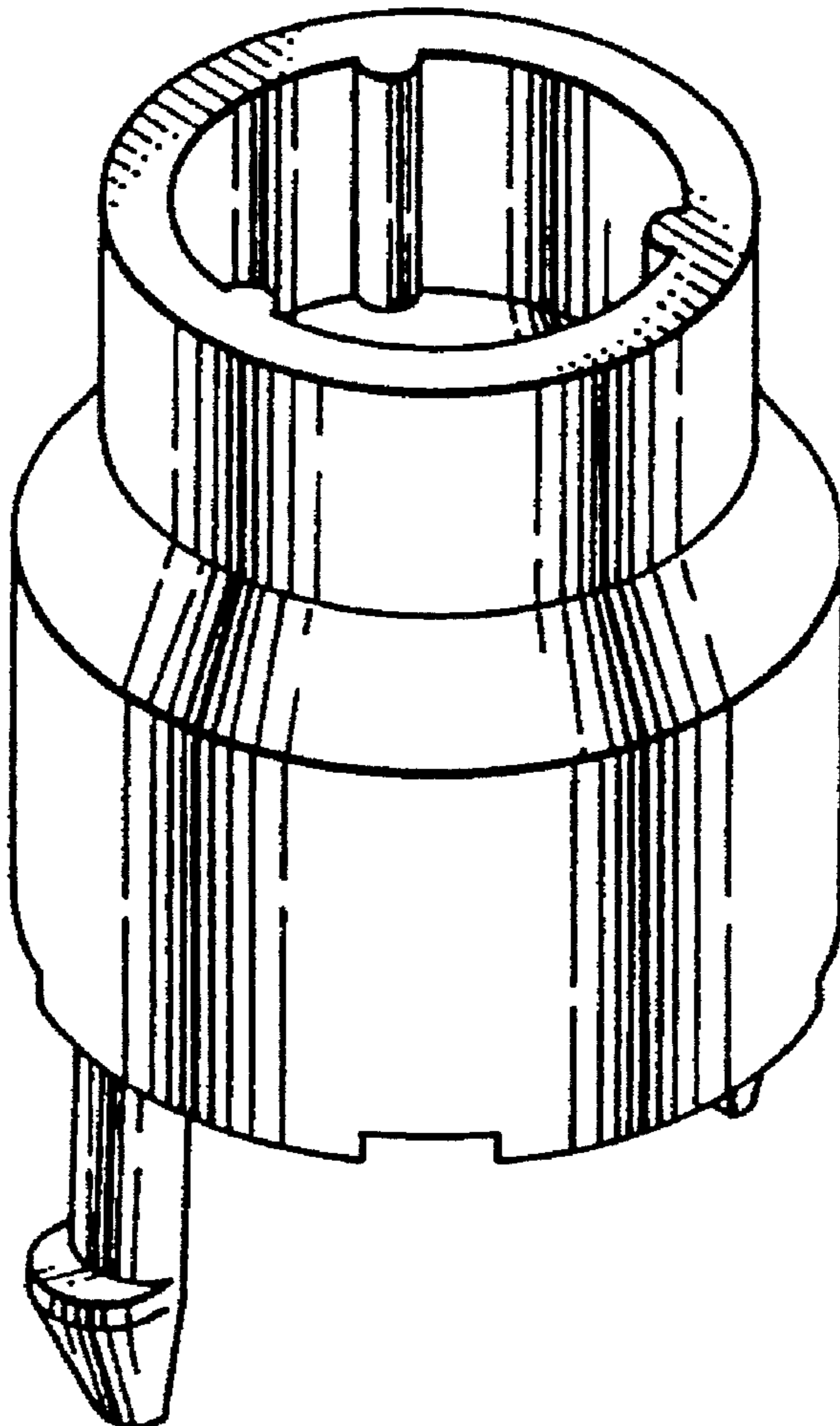


FIG. 1

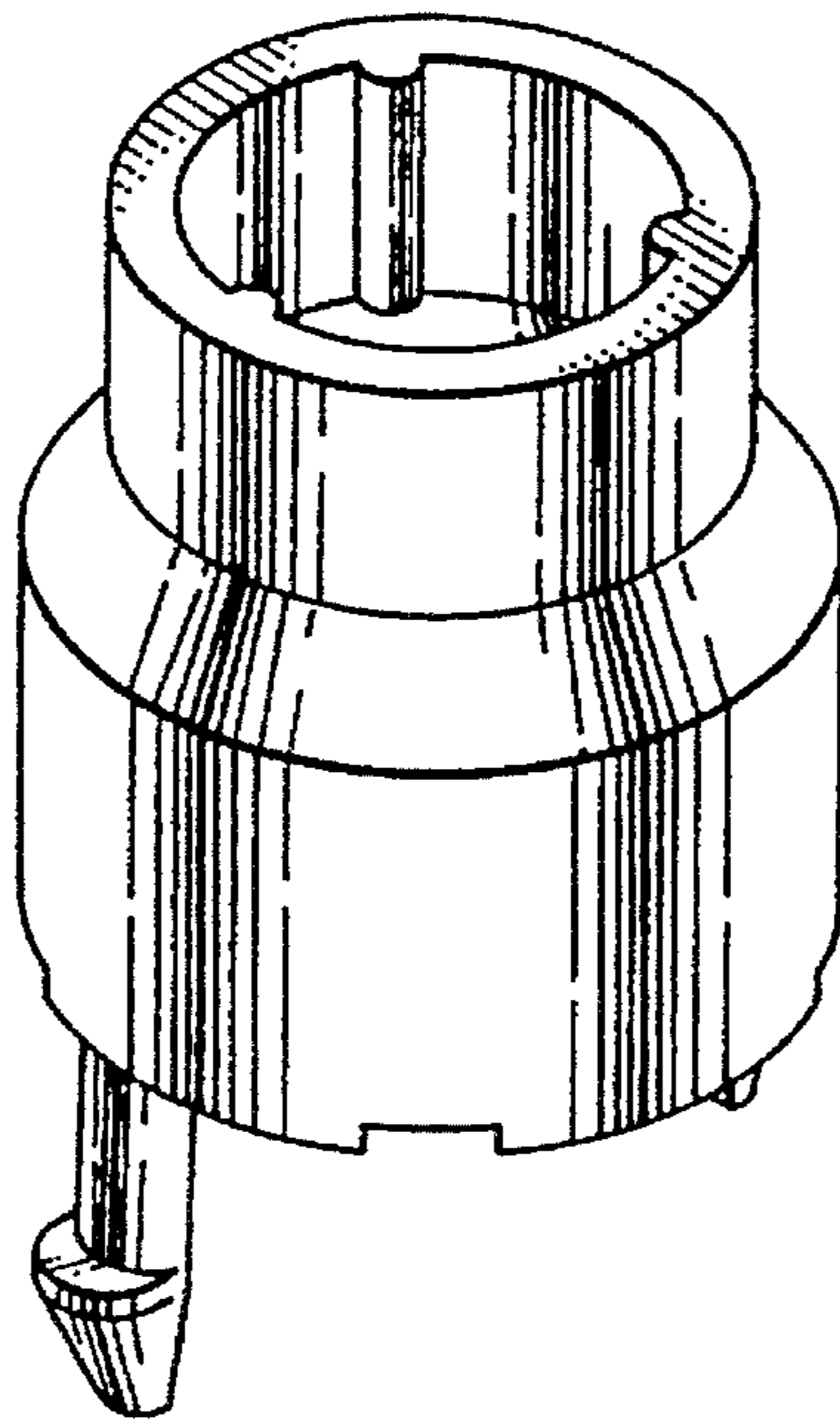


FIG. 3

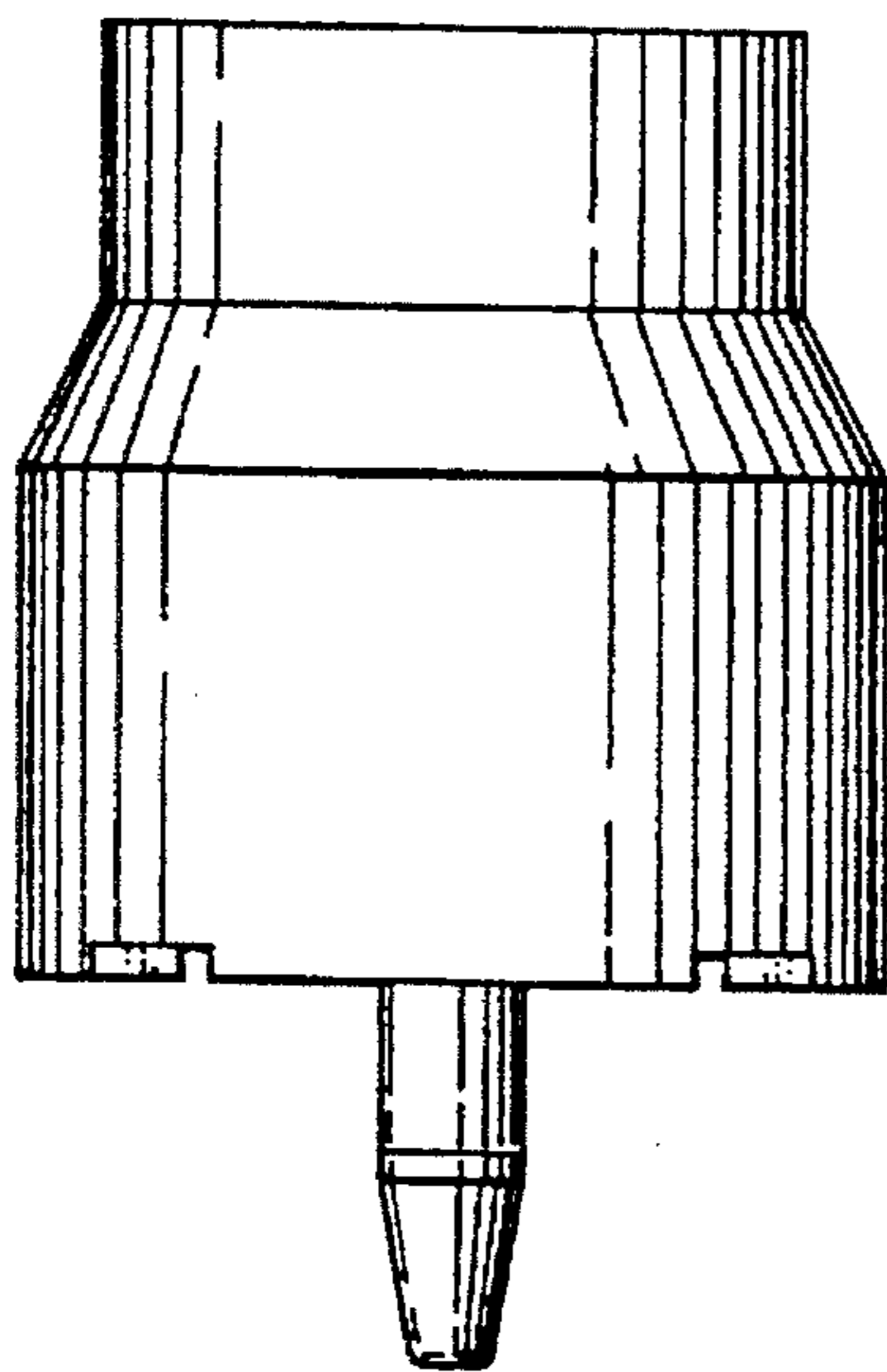


FIG. 2

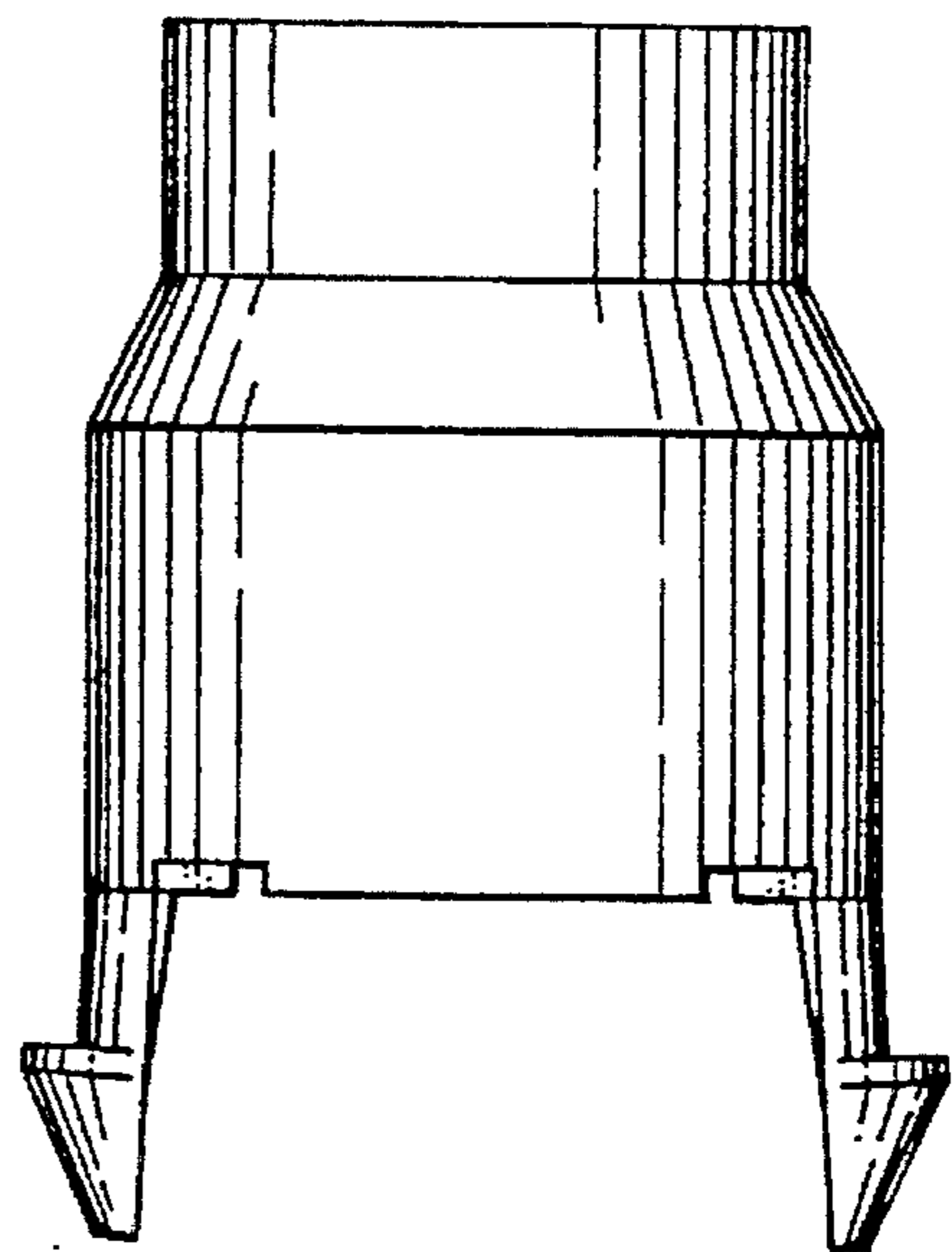


FIG. 5

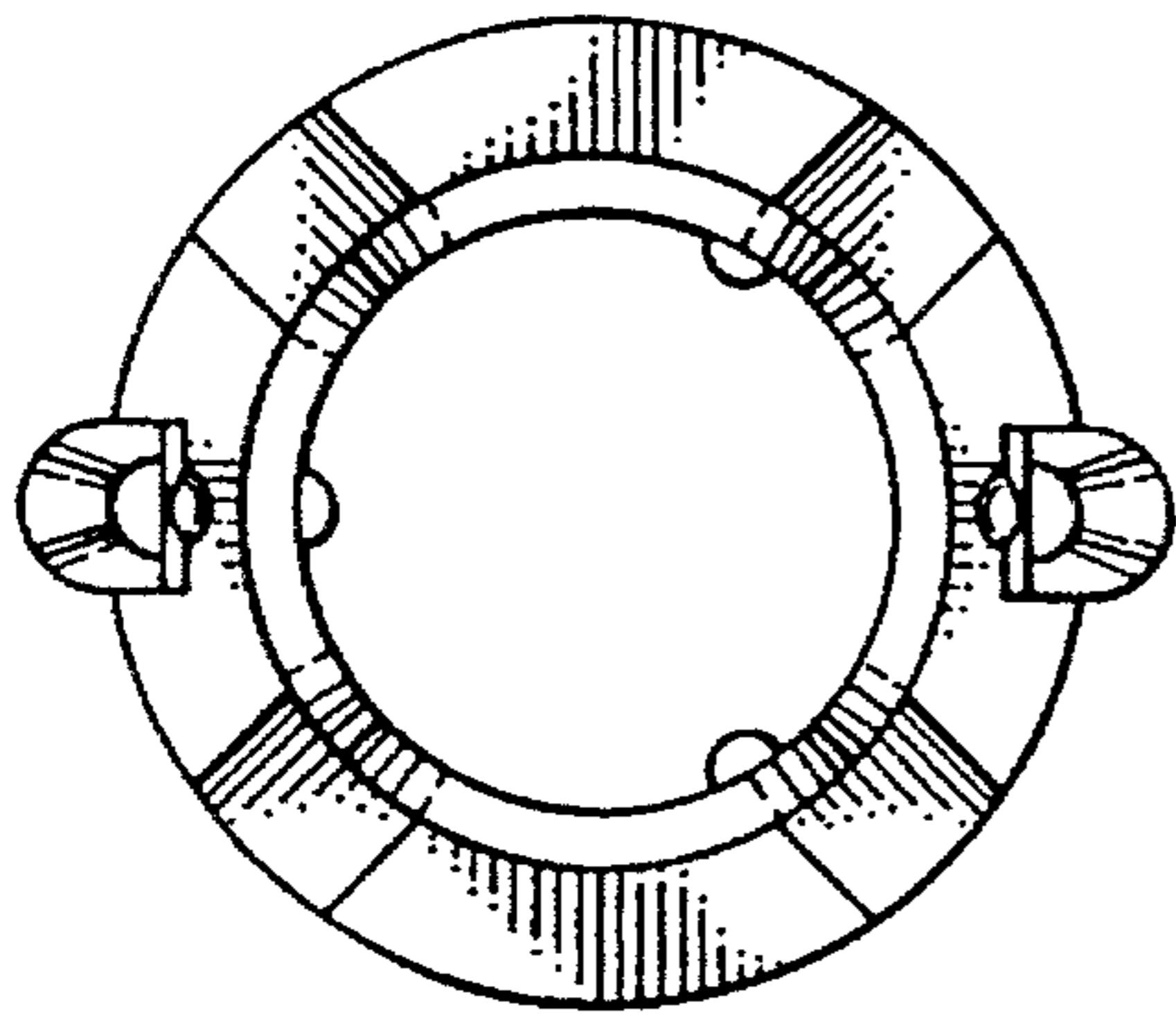


FIG. 4

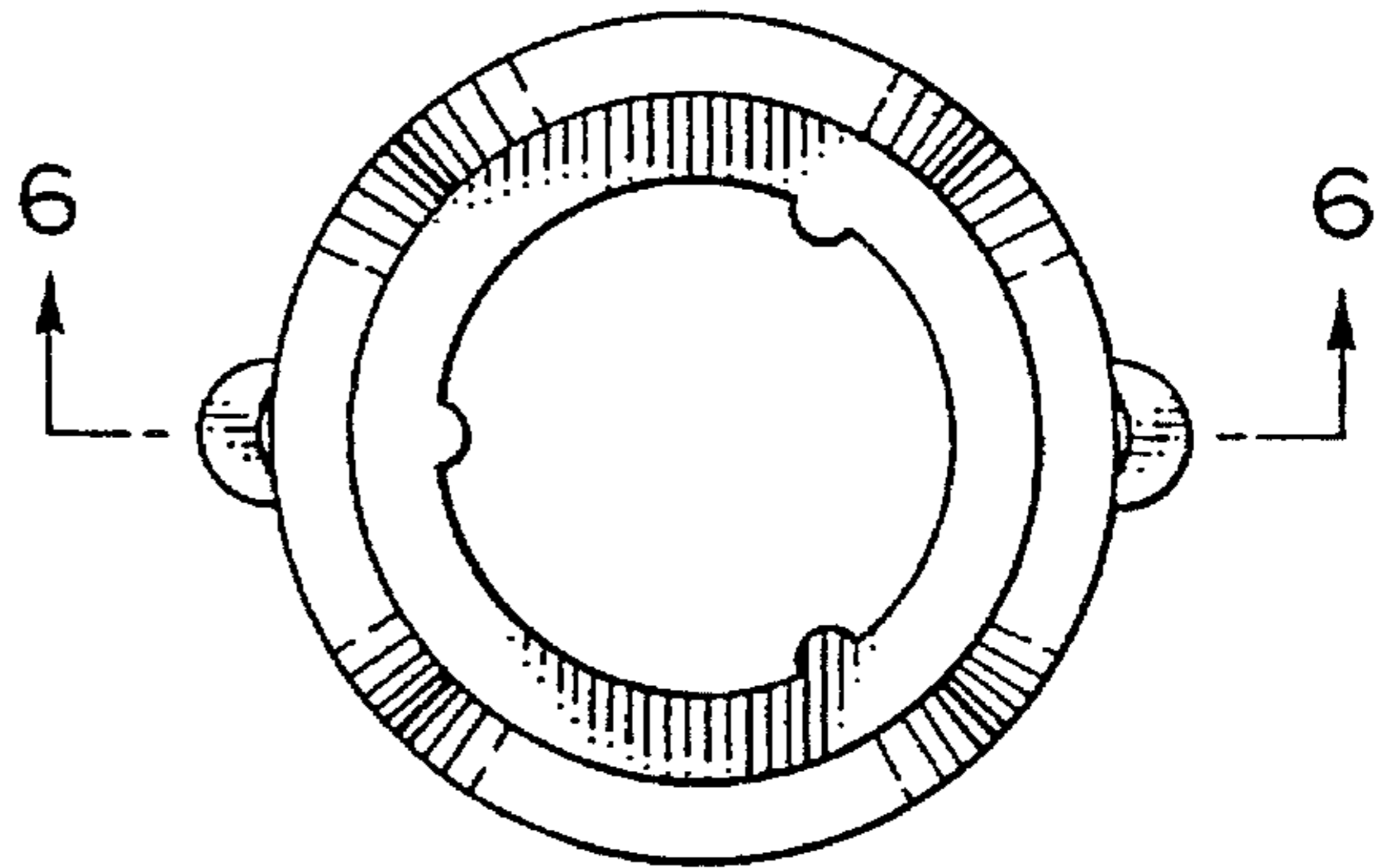


FIG. 6

