



US00D367466S

United States Patent [19]

Uchiyama

[11] Patent Number: **Des. 367,466**

[45] Date of Patent: ****Feb. 27, 1996**

[54] HOUSING FOR ELECTRICAL CONNECTOR

5,203,719 4/1993 Kozono 439/357 X

[75] Inventor: **Takahiro Uchiyama**, Yokkaichi, Japan

FOREIGN PATENT DOCUMENTS

[73] Assignee: **Sumitomo Wiring Systems, Ltd.**,
Yokkaichi, Japan

602863 6/1983 Japan .

732955 5/1988 Japan .

[**] Term: **14 Years**

Primary Examiner—Joel Sincavage

Attorney, Agent, or Firm—Sandler, Greenblum, & Bernstein

[21] Appl. No.: **32,762**

[57] CLAIM

[22] Filed: **Dec. 14, 1994**

The ornamental design for a housing for electrical connector, as shown and described.

[30] Foreign Application Priority Data

DESCRIPTION

Jun. 27, 1994 [JP] Japan 6-18924

[52] U.S. Cl. **D13/147**

[58] Field of Search D13/133, 146,
D13/147; 439/352, 357, 572, 595, 598

FIG. 1 is a perspective view of the housing for electrical connector according to the present invention; FIG. 2 is a front elevational view thereof; FIG. 3 is a rear elevational view thereof; FIG. 4 is a right side elevational view thereof; FIG. 5 is a left side elevational view thereof; FIG. 6 is a top plan view thereof; and, FIG. 7 is a bottom plan view thereof.

[56] References Cited

U.S. PATENT DOCUMENTS

D. 315,155 3/1991 Kawashima et al. D13/146

D. 318,042 7/1991 Takenouchi et al. D13/146

D. 321,860 11/1991 Nagasaka et al. D13/147

1 Claim, 2 Drawing Sheets

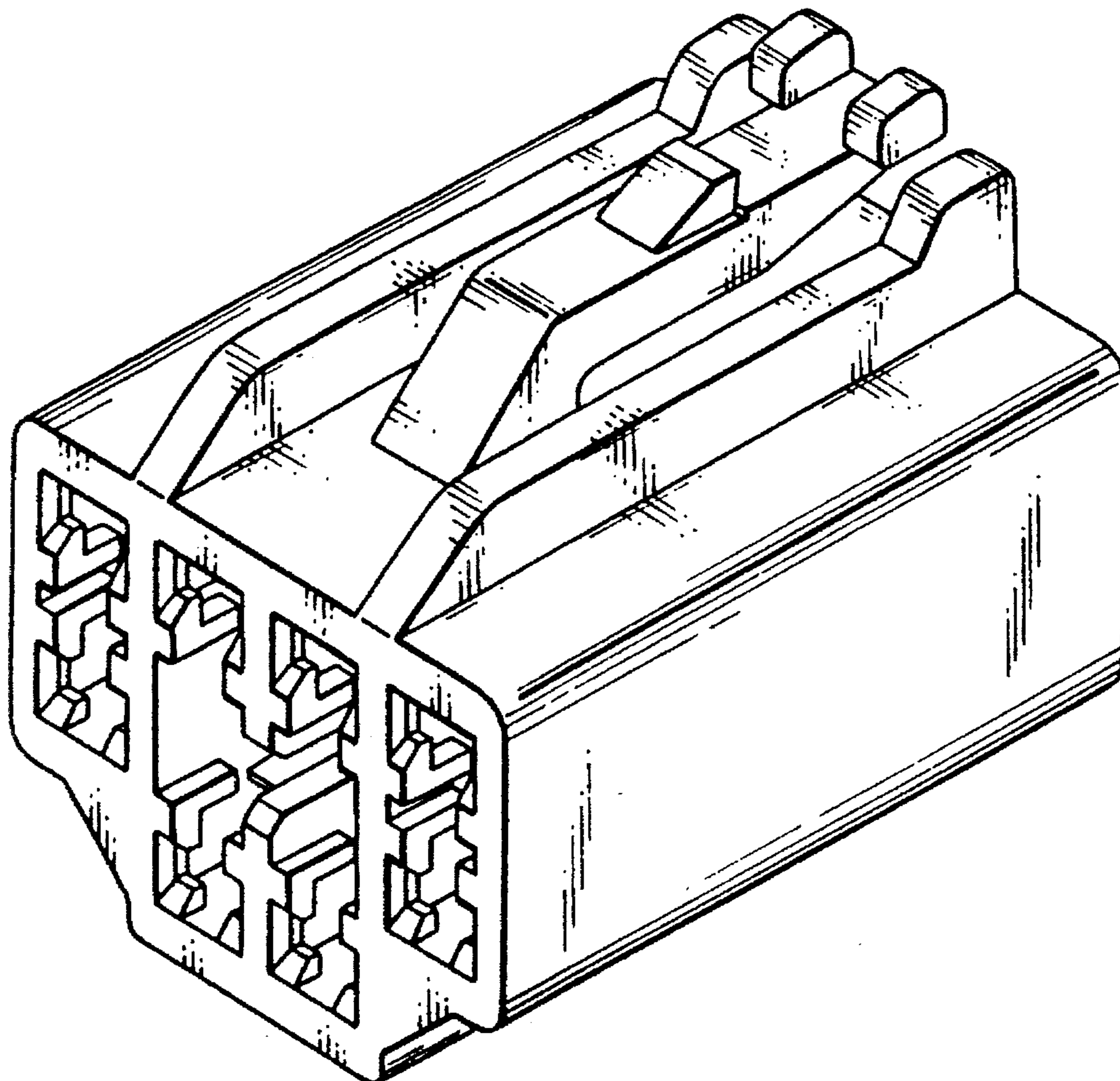


FIG. 1

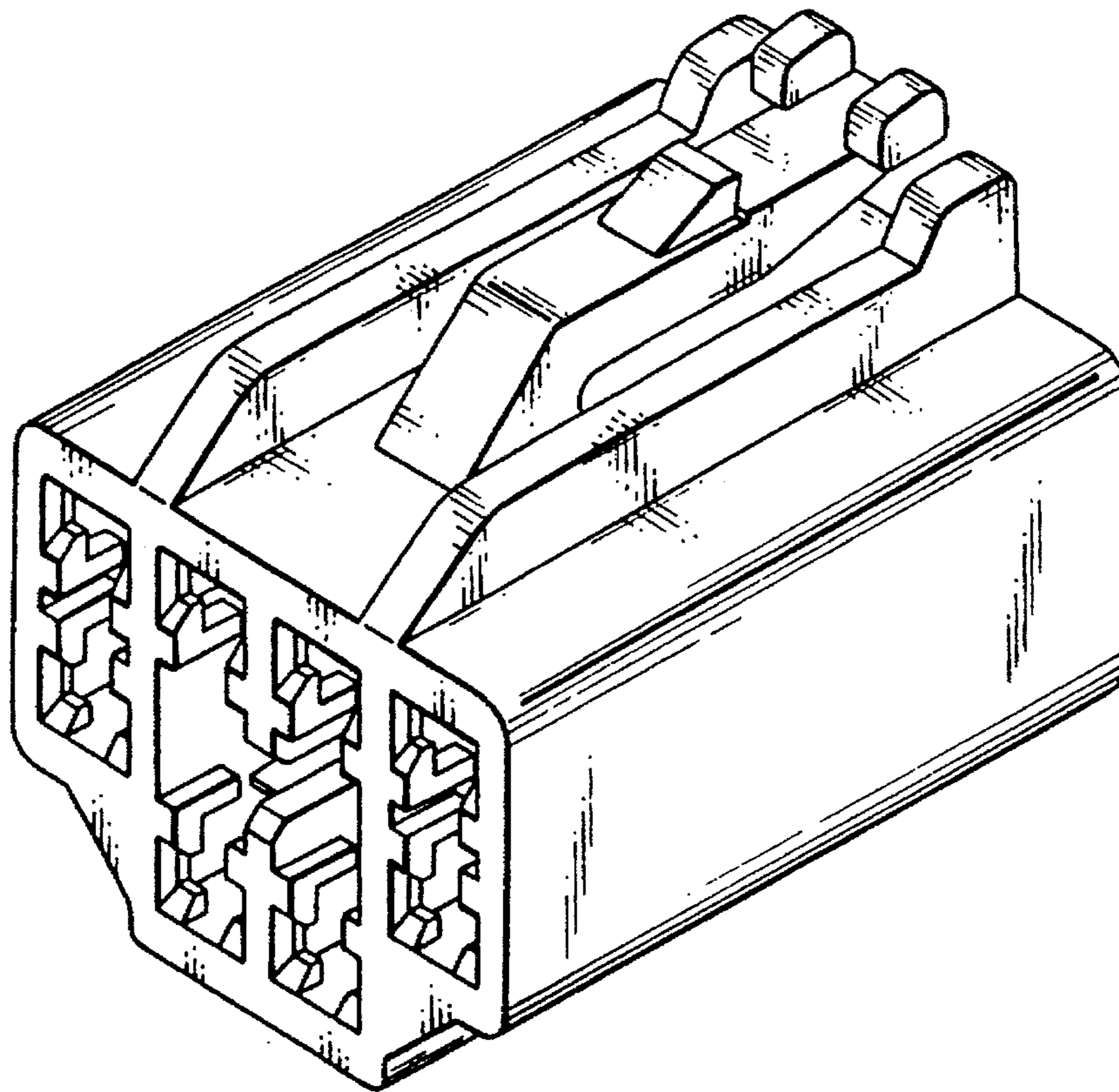


FIG. 2

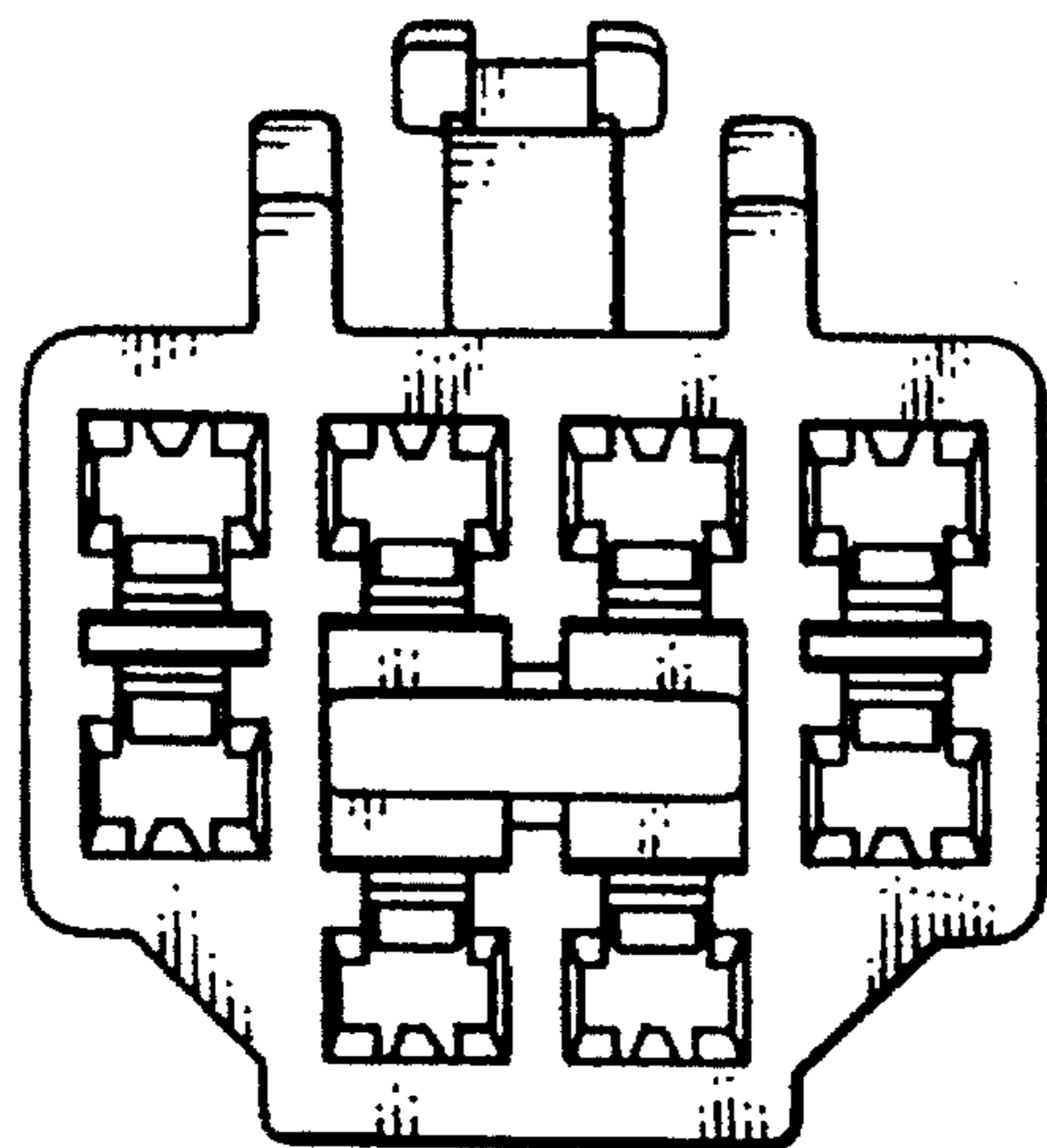


FIG. 3

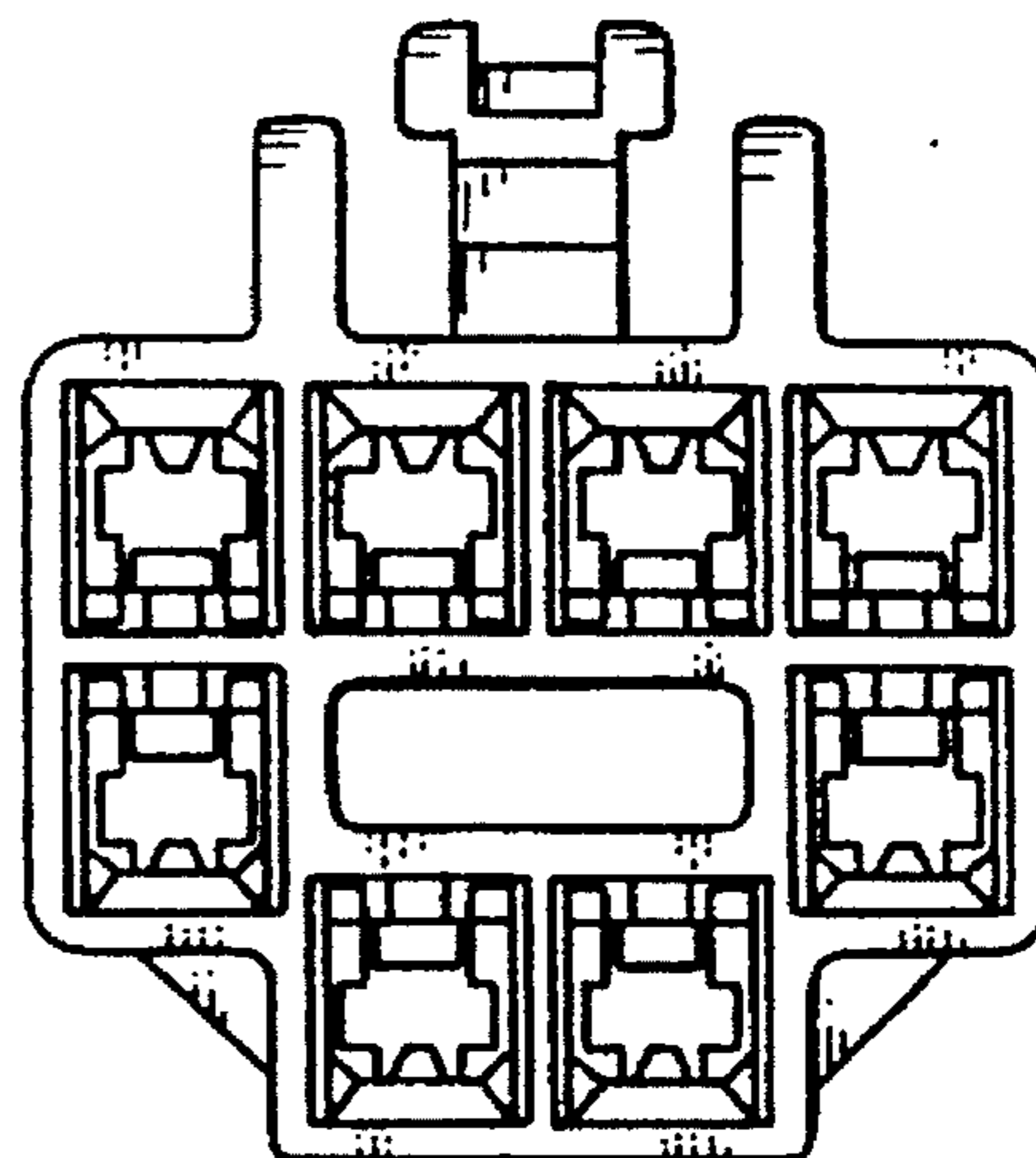


FIG. 4

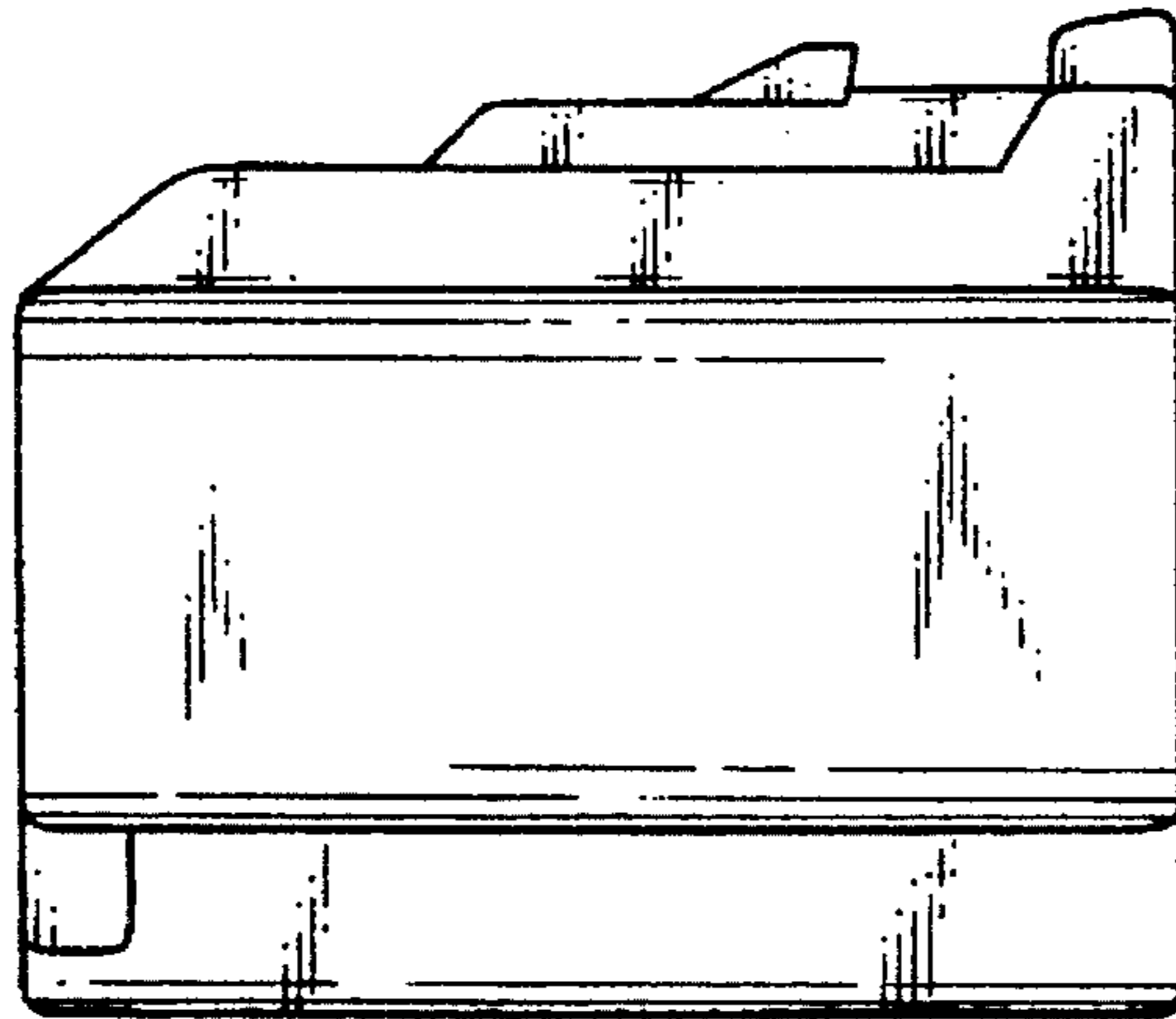


FIG. 5

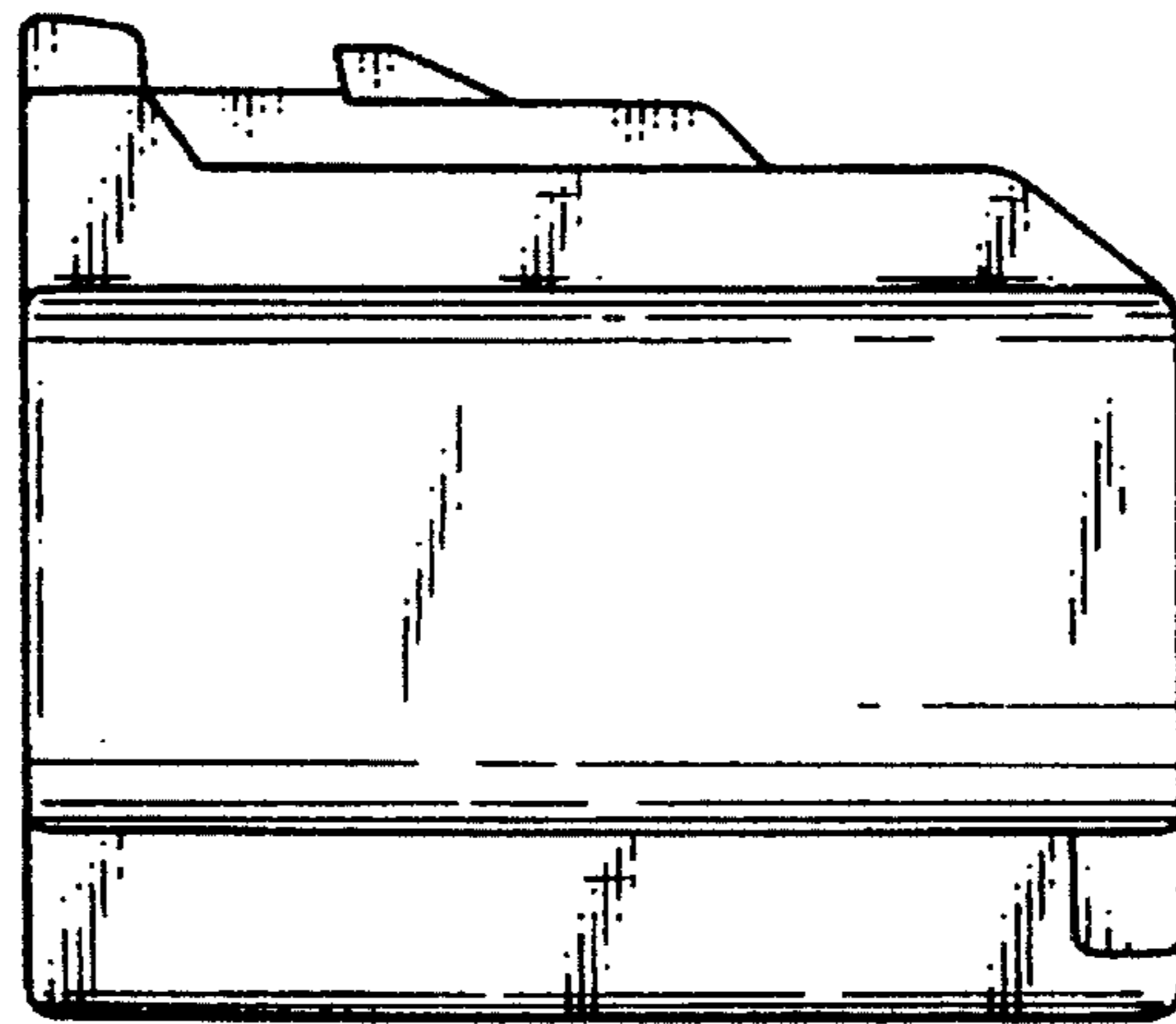


FIG. 6

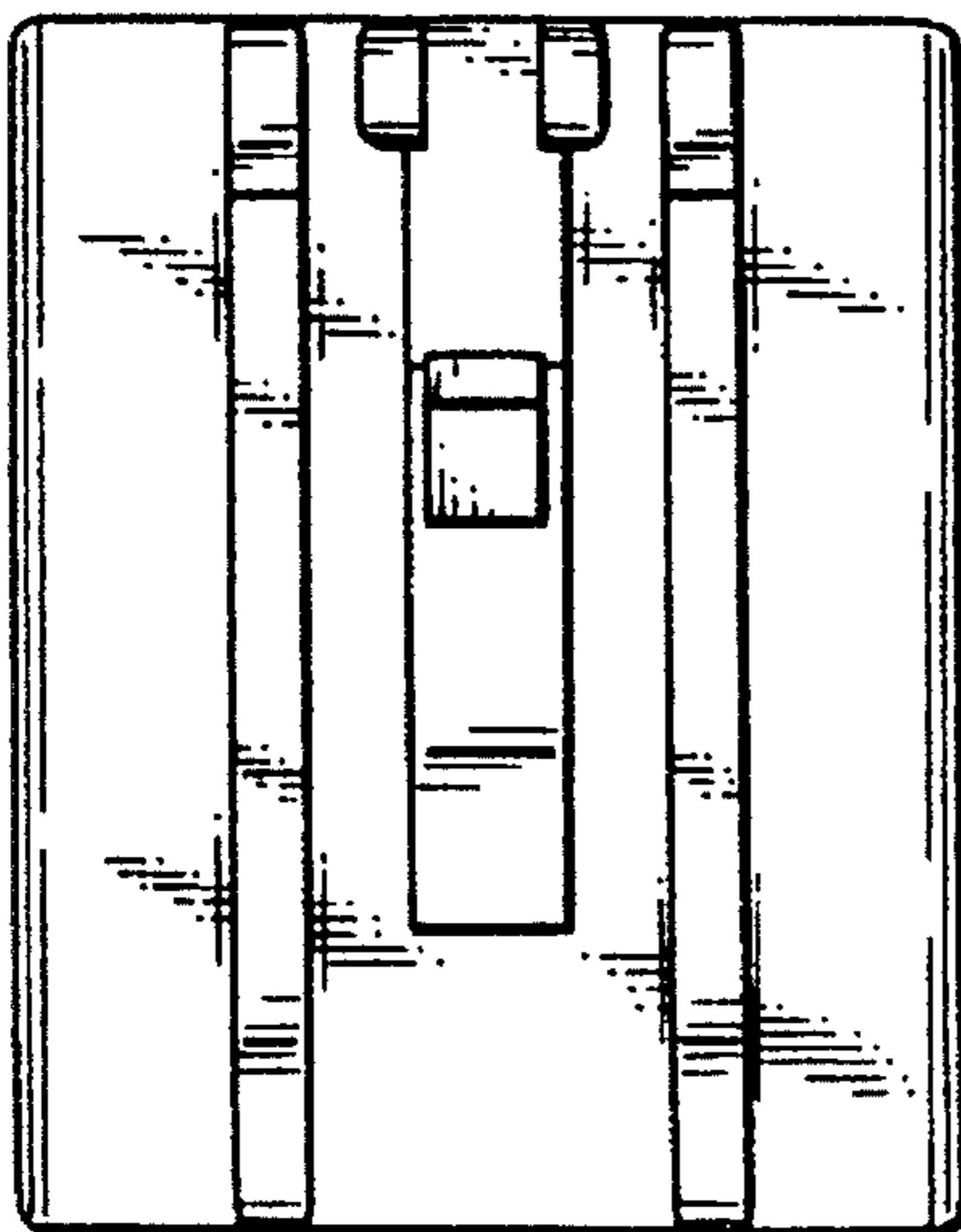


FIG. 7

