



US00D367465S

**United States Patent** [19]  
**Becker**

[11] **Patent Number: Des. 367,465**

[45] **Date of Patent: \*\*Feb. 27, 1996**

[54] **ELECTRICAL CORD CONNECTOR PLUG**

[57] **CLAIM**

[76] Inventor: **Ricky C. Becker**, 916 N. 39th St.,  
Grand Forks, N. Dak. 58203

The ornamental design for an electrical cord connector plug,  
as shown and described.

[\*\*] Term: **14 Years**

**DESCRIPTION**

[21] Appl. No.: **28,310**

FIG. 1 is a perspective view of the electrical cord connector  
plug showing my new design;

[22] Filed: **Sep. 12, 1994**

FIG. 2 is a top plan view thereof;

[52] **U.S. Cl.** ..... **D13/147**

FIG. 3 is a front elevational view thereof;

[58] **Field of Search** ..... D13/146, 147;  
439/76, 660, 678, 701

FIG. 4 is an elevational view taken from the right side of  
FIG. 3, the left elevational view being a mirror image  
thereof;

[56] **References Cited**

FIG. 5 is a bottom plan view thereof;

**U.S. PATENT DOCUMENTS**

FIG. 6 is a rear elevational view thereof;

- D. 328,890 8/1992 Tomikawa et al. .... D13/147
- 4,909,745 3/1990 Hayashi ..... 439/76
- 5,254,019 10/1993 Noschese ..... 439/701 X

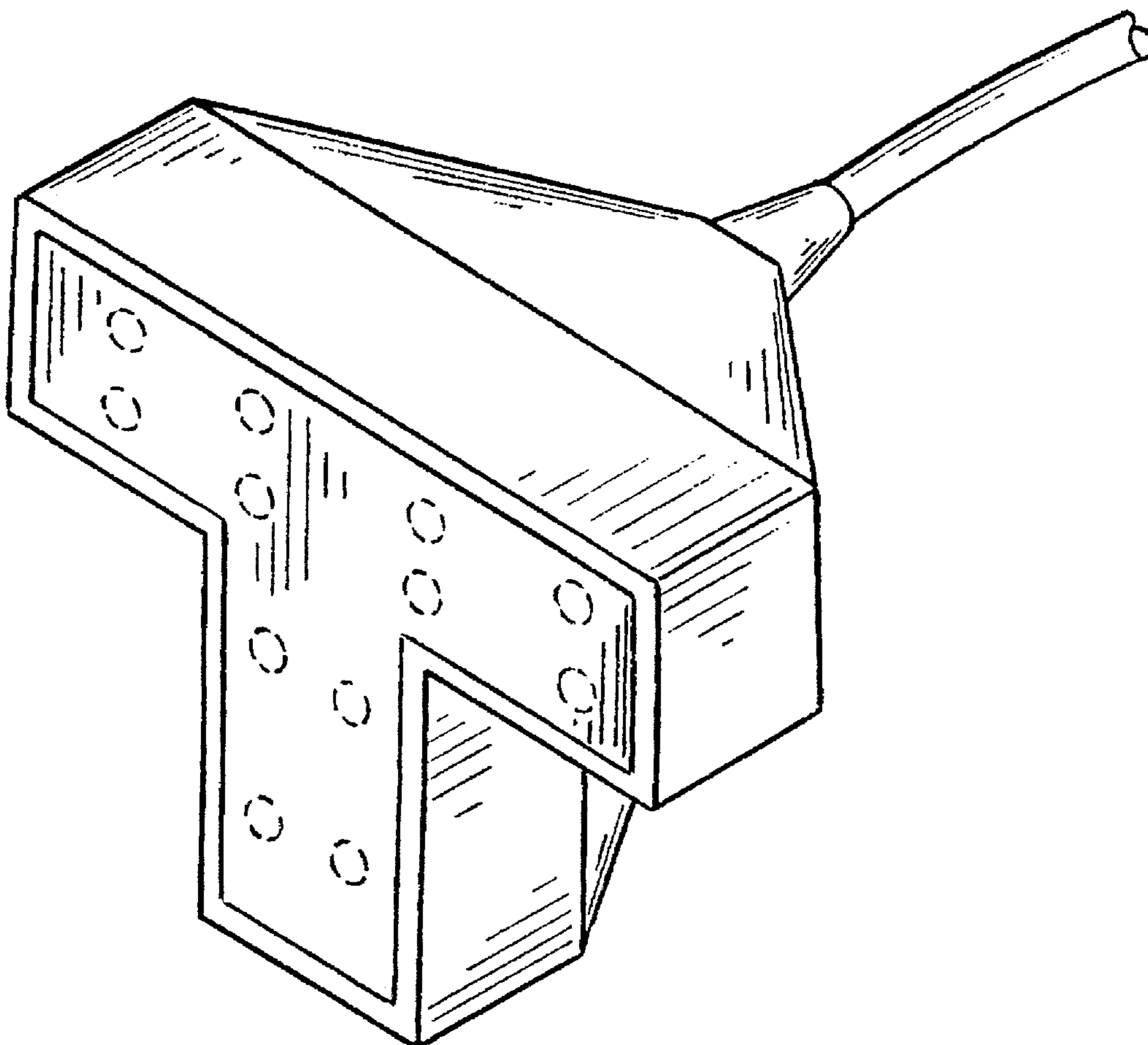
FIG. 7 is a perspective view as seen from the rear and upper  
left of the plug; and,

*Primary Examiner*—Joel Sincavage  
*Attorney, Agent, or Firm*—Zarley, McKee, Thomte Voorhees  
& Sease; Mark D. Frederiksen

FIG. 8 is a perspective view as seen from the rear and lower  
right of the plug.

The broken line showing in FIGS. 1 and 3 is included for the  
purpose of illustrating environmental structure only, and  
forms no part of the claimed design.

**1 Claim, 2 Drawing Sheets**



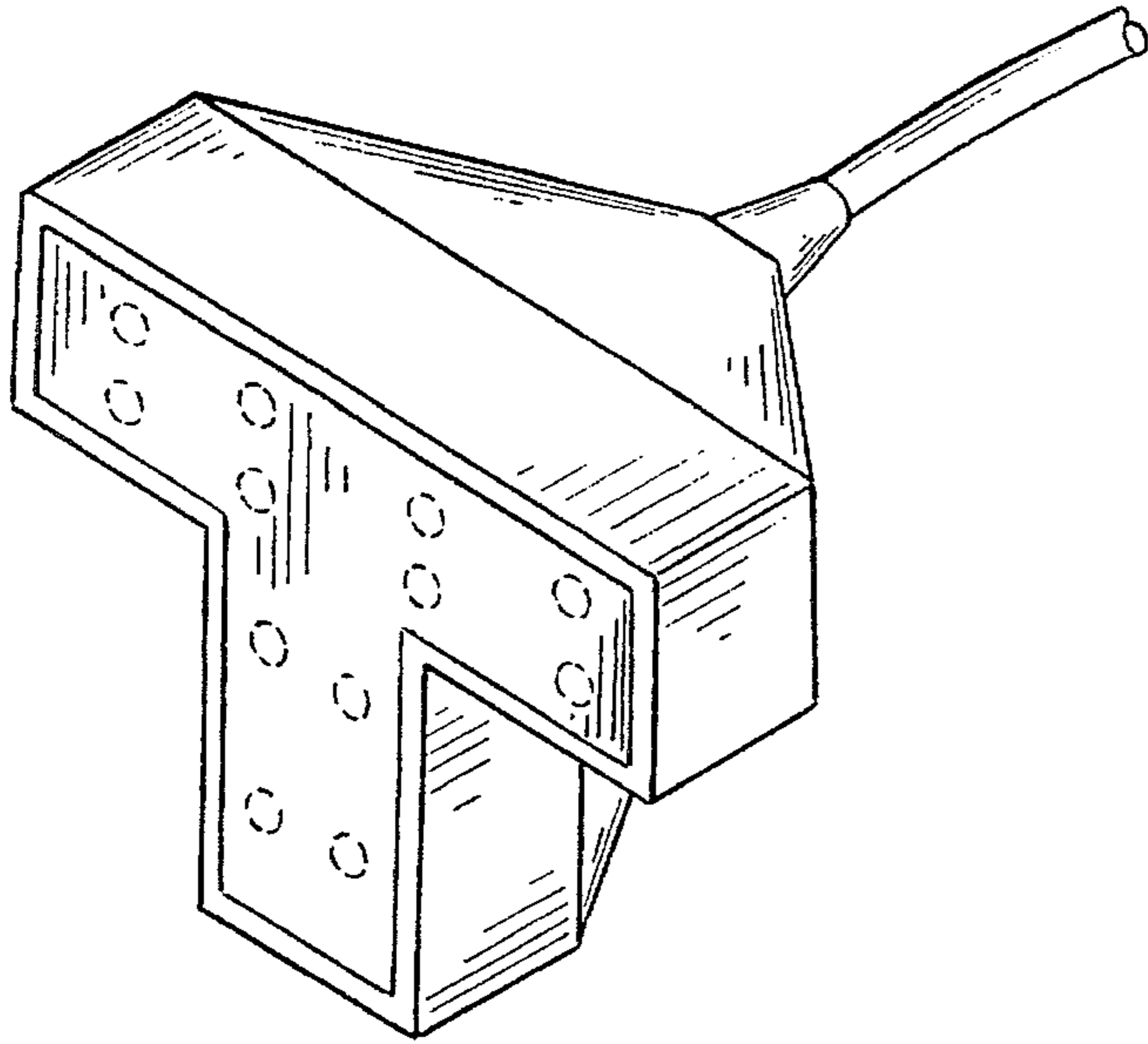


FIG. 1

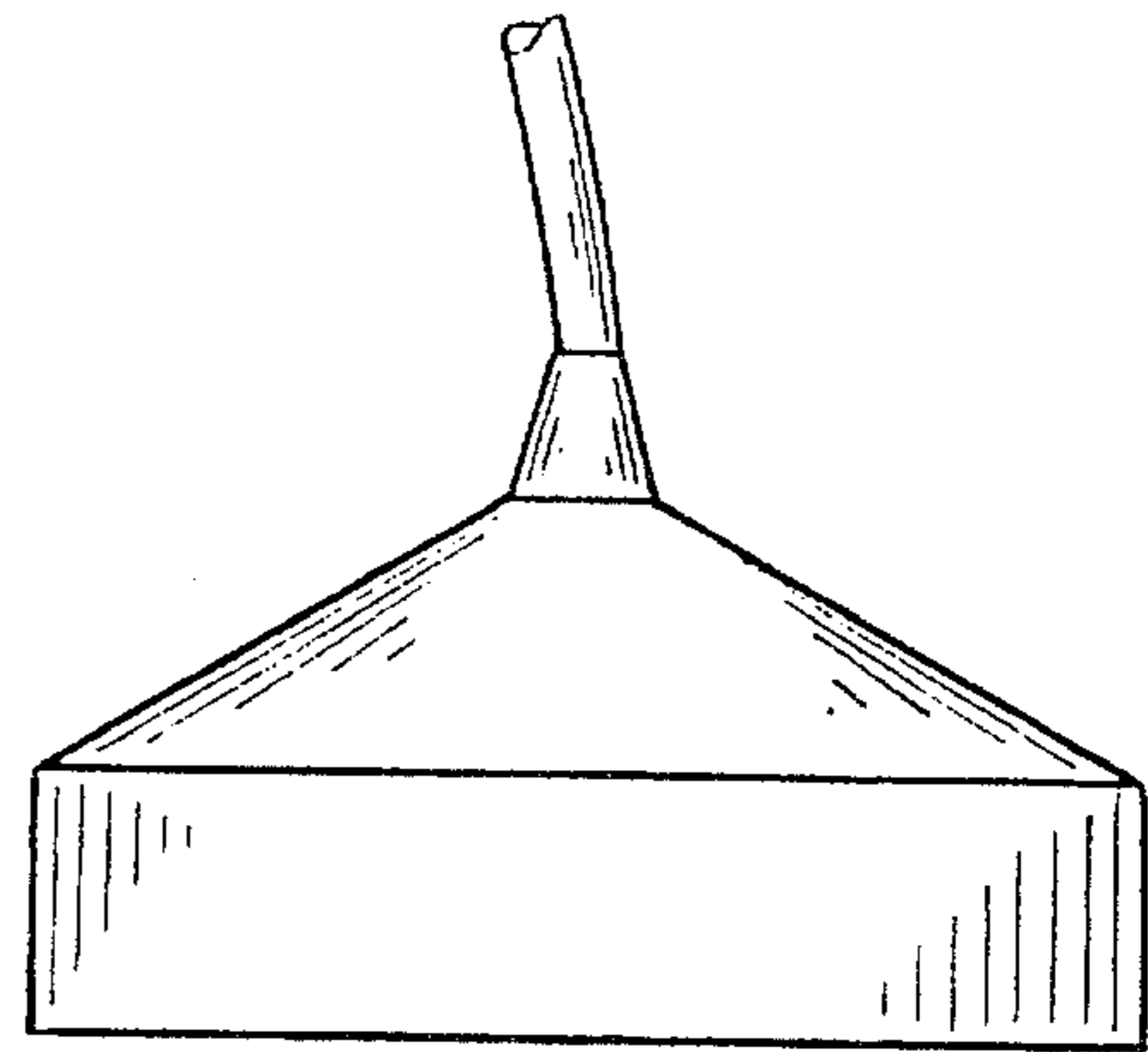


FIG. 2

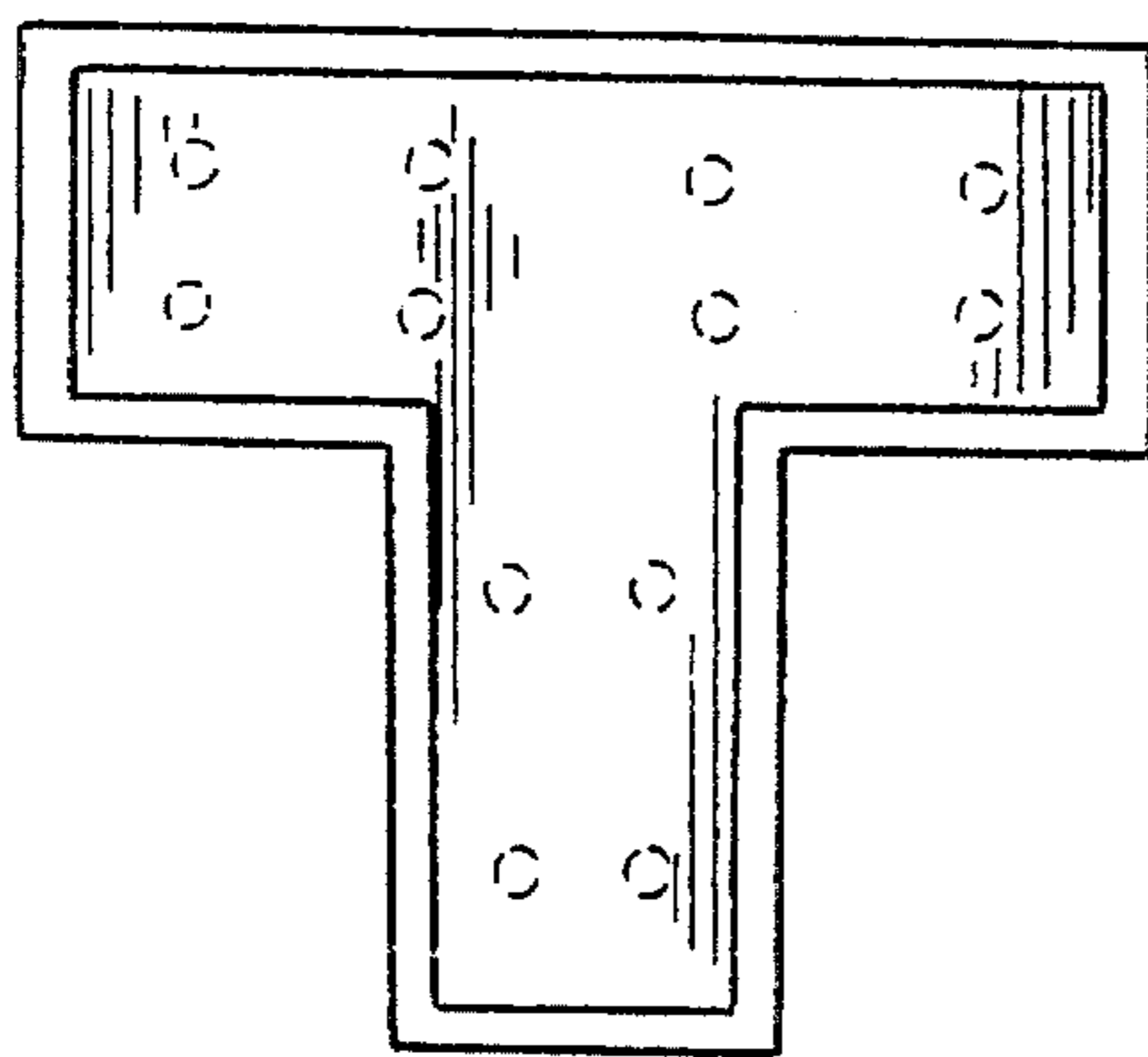


FIG. 3

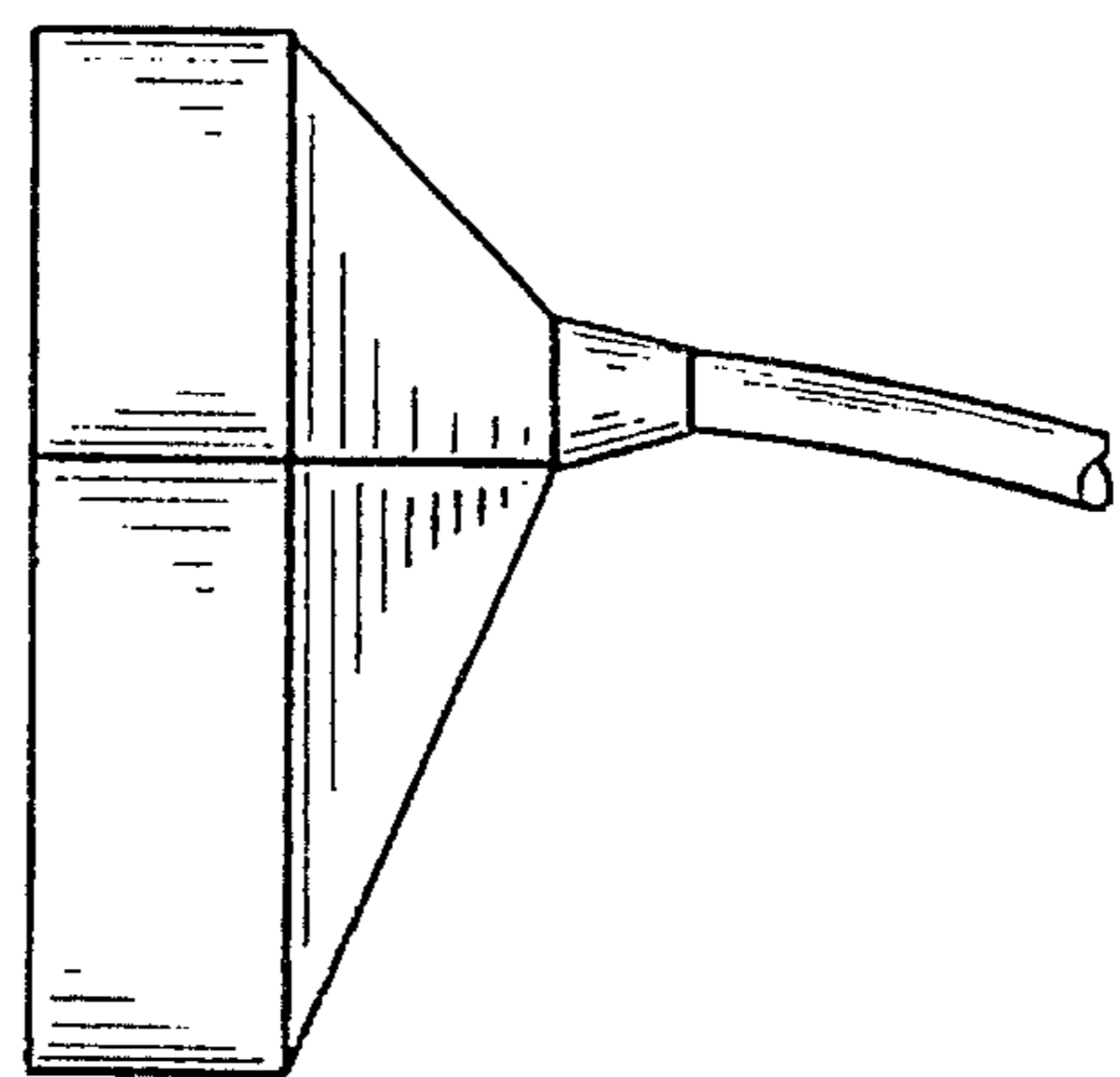


FIG. 4

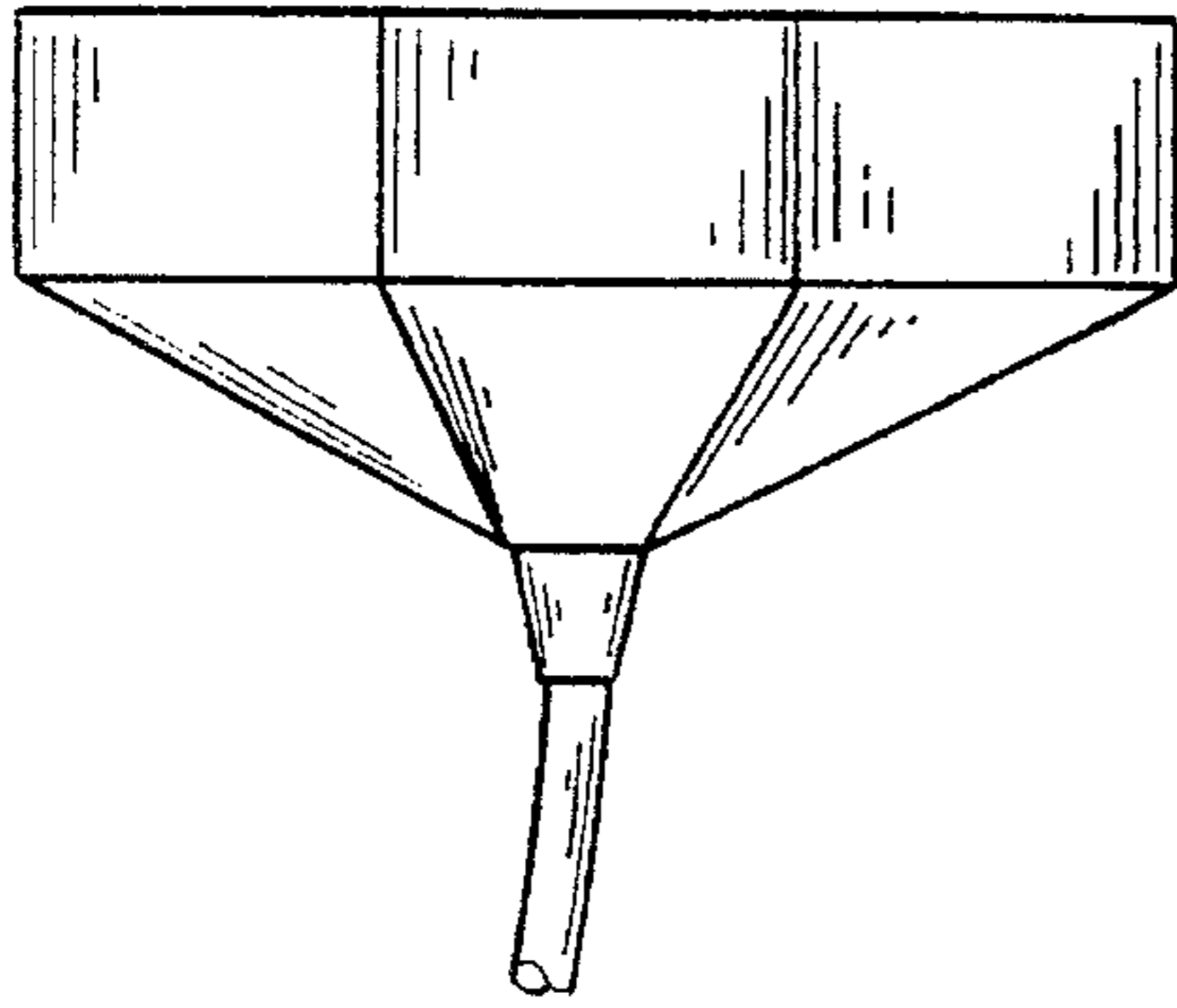


FIG. 5

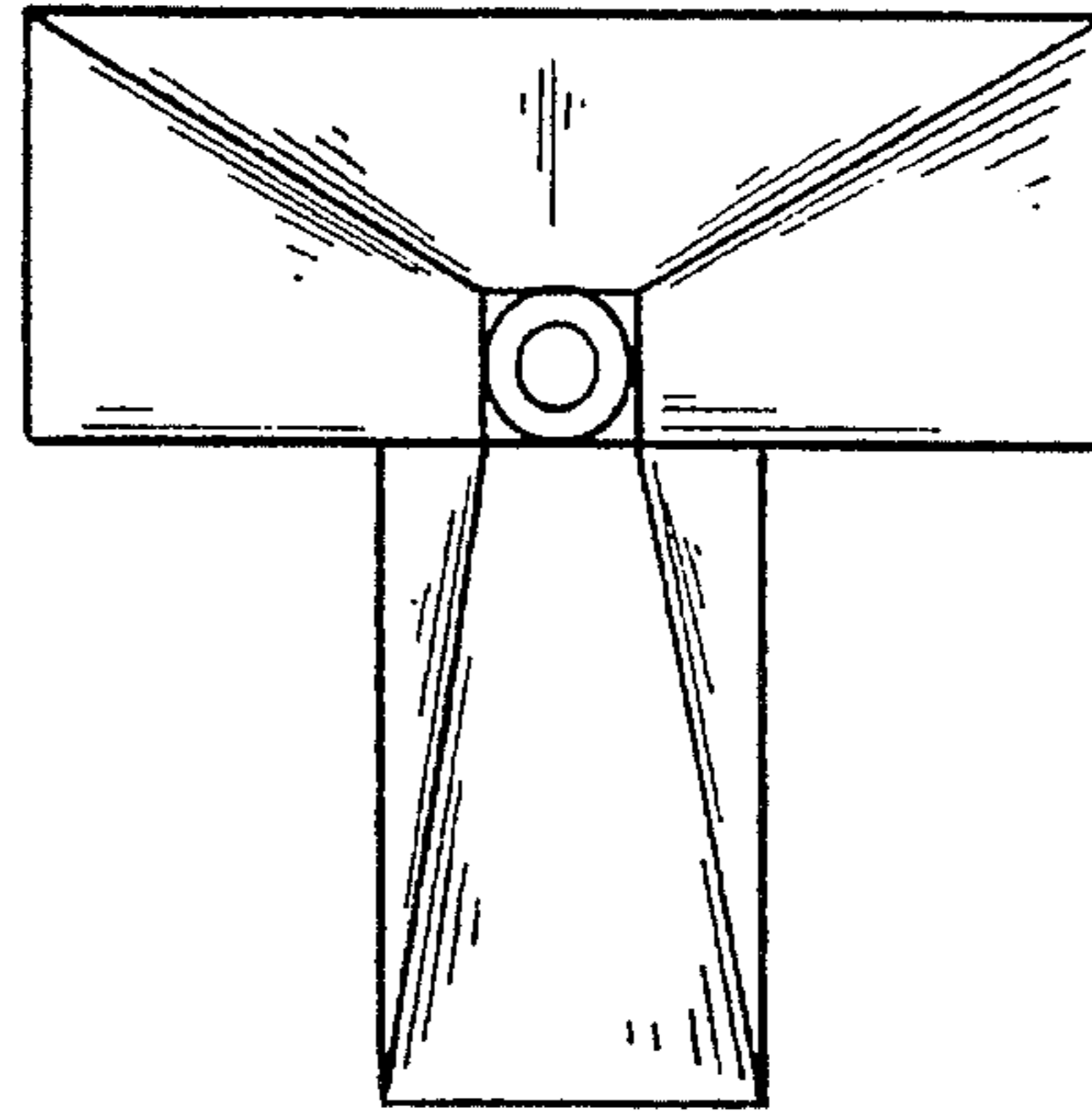


FIG. 6

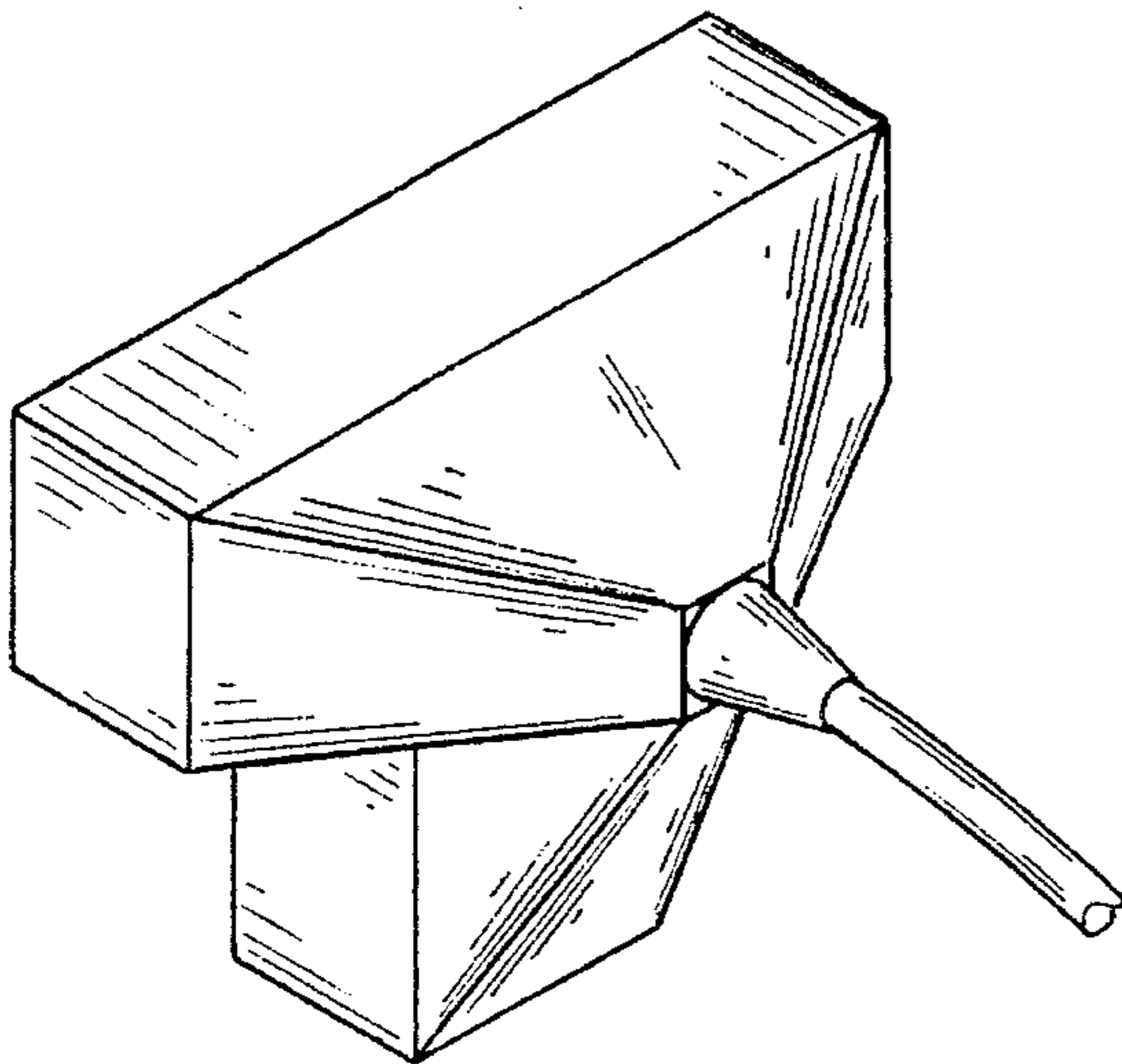


FIG. 7

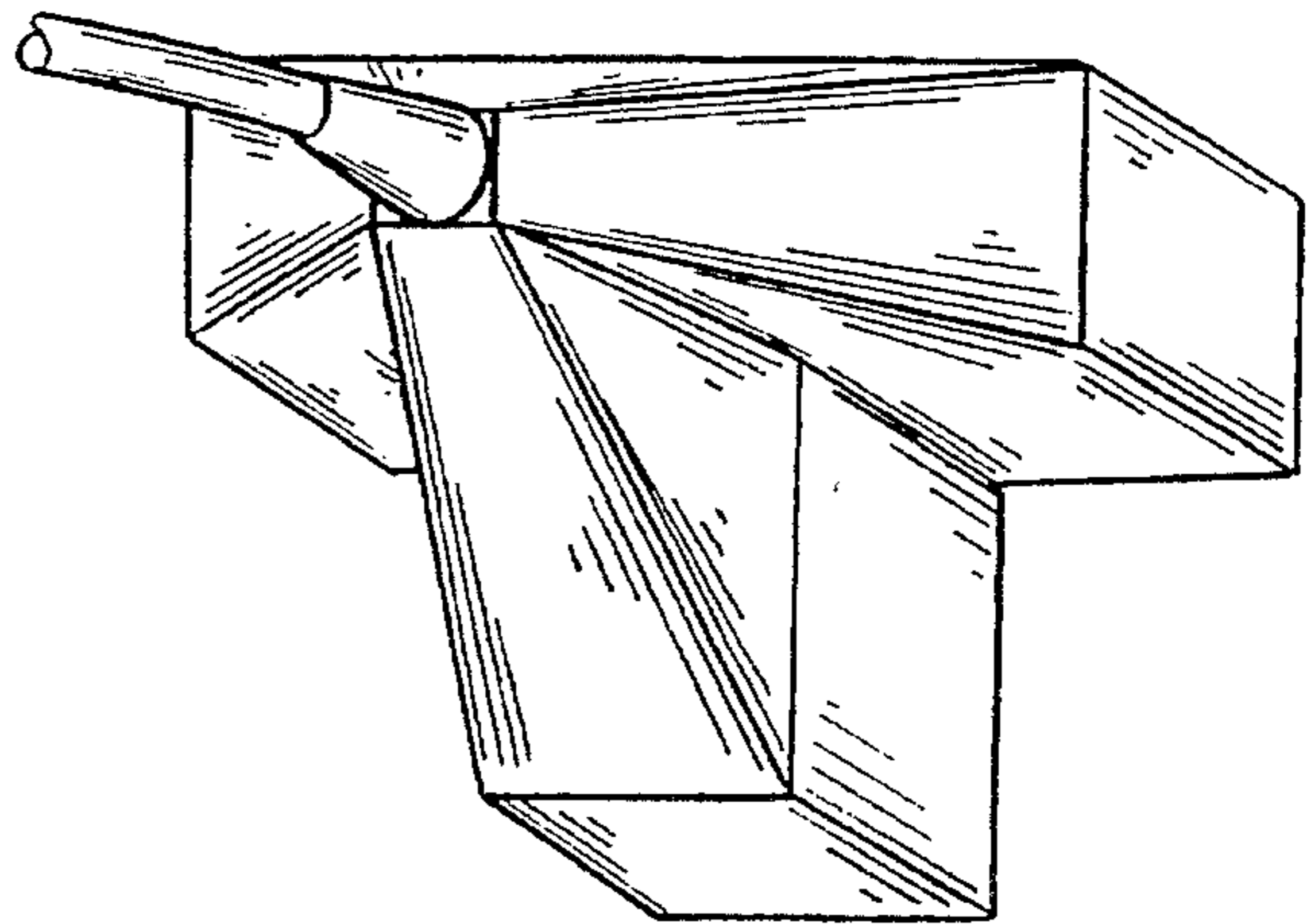


FIG. 8