



US00D367464S

United States Patent [19]

Jones et al.

[11] Patent Number: **Des. 367,464**

[45] Date of Patent: ****Feb. 27, 1996**

[54] UTILITY MODULE PEDESTAL

[76] Inventors: **Karl M. Jones; Richard A. Crist**, both of 600 Sailboat Dr., Niceville, Fla. 32578

[**] Term: **14 Years**

[21] Appl. No.: **36,199**

[22] Filed: **Mar. 15, 1995**

[52] U.S. Cl. **D13/137**

[58] Field of Search D13/133, 137, D13/142; 174/38; 361/622, 641; 362/145

[56] References Cited

U.S. PATENT DOCUMENTS

| | | | | |
|------------|---------|--------------|-------|-----------|
| D. 270,831 | 10/1983 | Jensen | | D13/137 |
| D. 272,655 | 2/1984 | Smith | | D13/137 X |
| D. 299,821 | 2/1989 | Dively | | D13/137 |
| D. 307,580 | 5/1990 | Reali | | D13/137 X |
| D. 314,553 | 2/1991 | Stoll et al. | | D13/152 |

| | | | | |
|-----------|---------|-----------------|-------|-----------|
| 4,307,436 | 12/1981 | Eckart et al. | | 361/622 X |
| 4,519,657 | 5/1985 | Jensen | | D13/133 X |
| 4,951,182 | 8/1990 | Simonson et al. | | D13/133 X |
| 5,184,279 | 2/1993 | Horn | | 174/38 X |

Primary Examiner—Joel Sincavage
Attorney, Agent, or Firm—George A. Bode

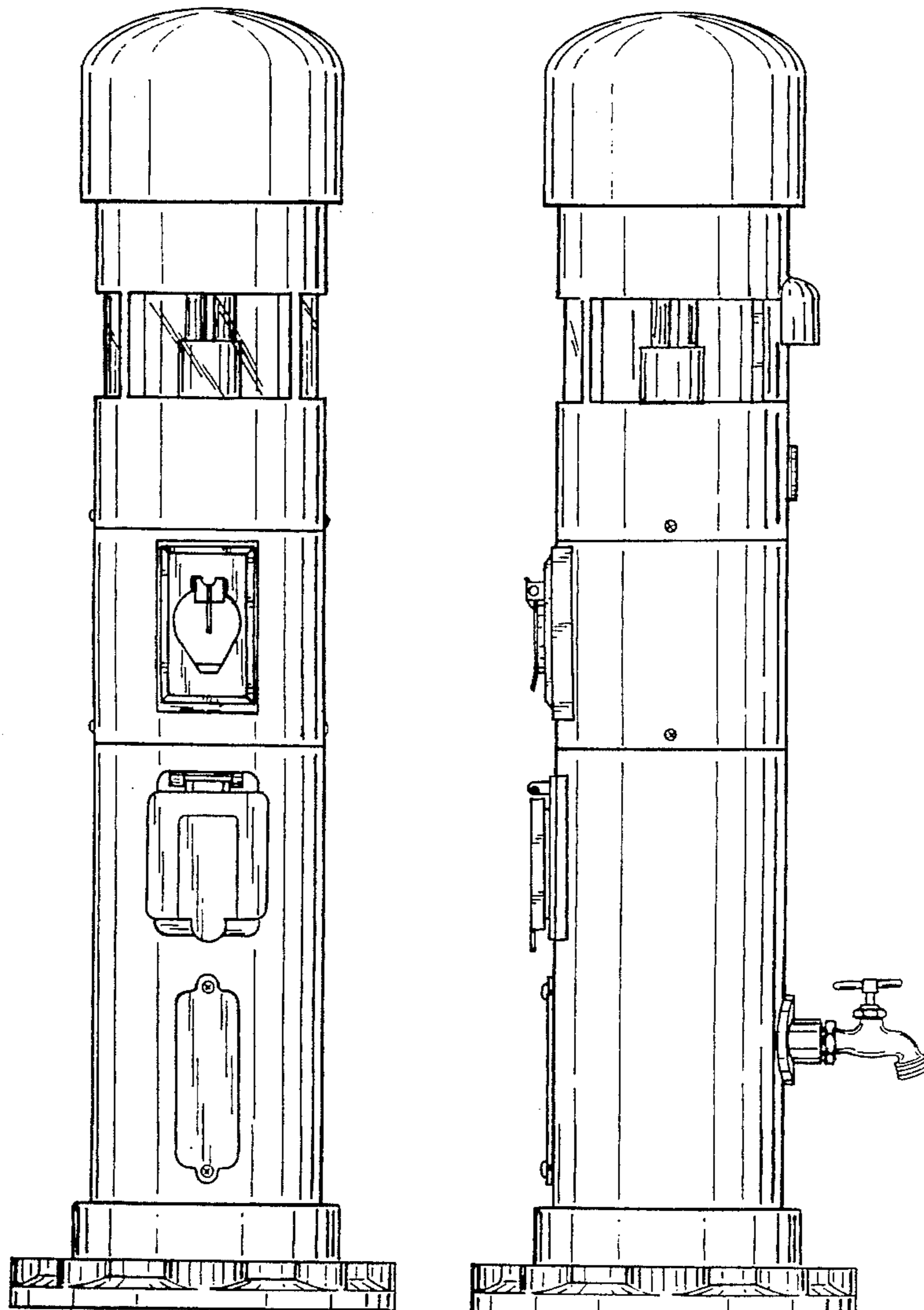
[57] CLAIM

The ornamental design for a utility module pedestal, as shown and described.

DESCRIPTION

FIG. 1 is a rear elevational view of a utility module pedestal showing our new design; FIG. 2 is a left side elevational view, the right side being a mirror image thereof; FIG. 3 is a front elevational view thereof; FIG. 4 is a top plan view thereof; and, FIG. 5 is a bottom plan view thereof.

1 Claim, 2 Drawing Sheets



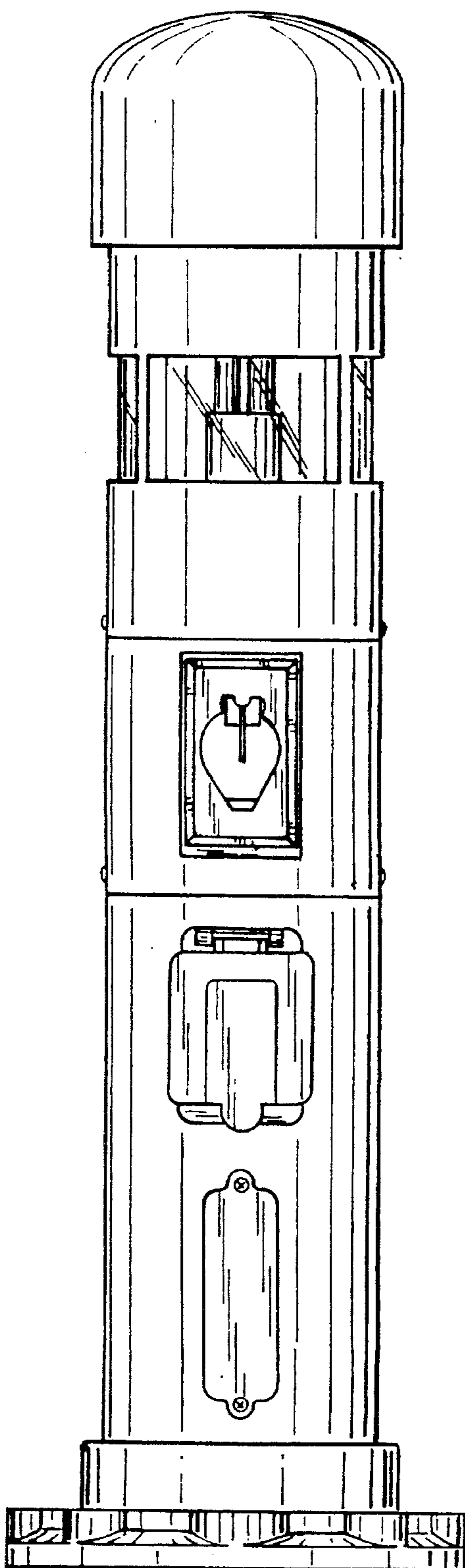


FIG. 1

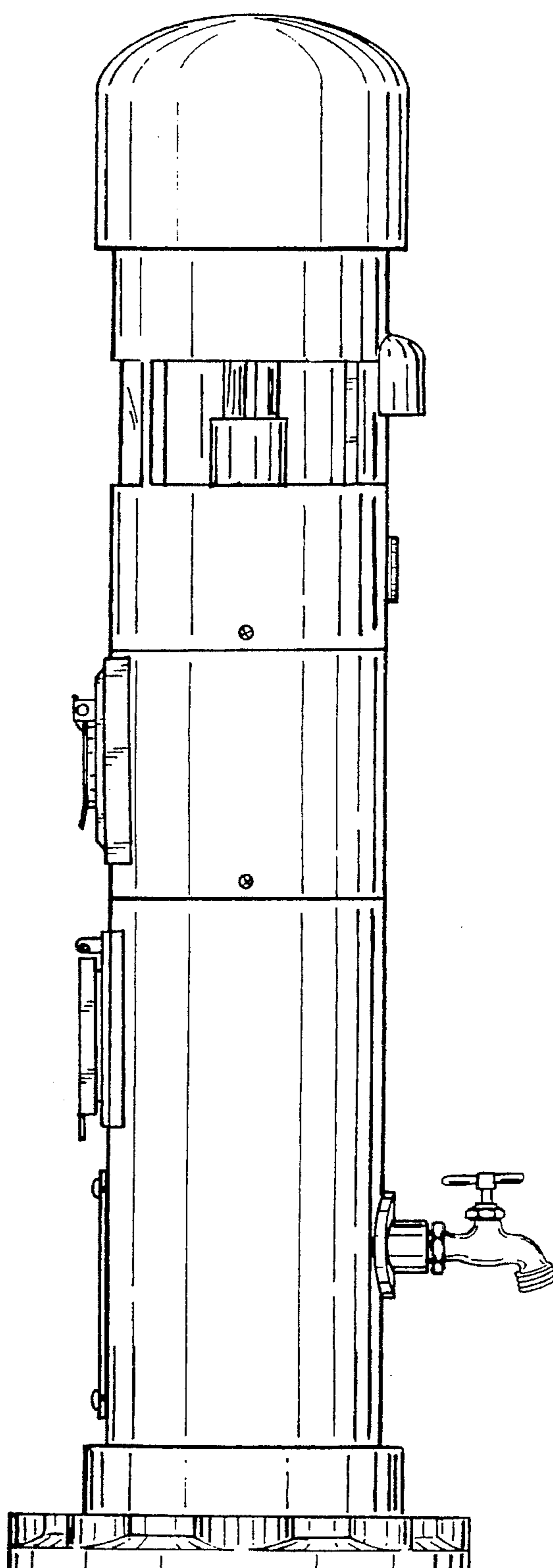


FIG. 2

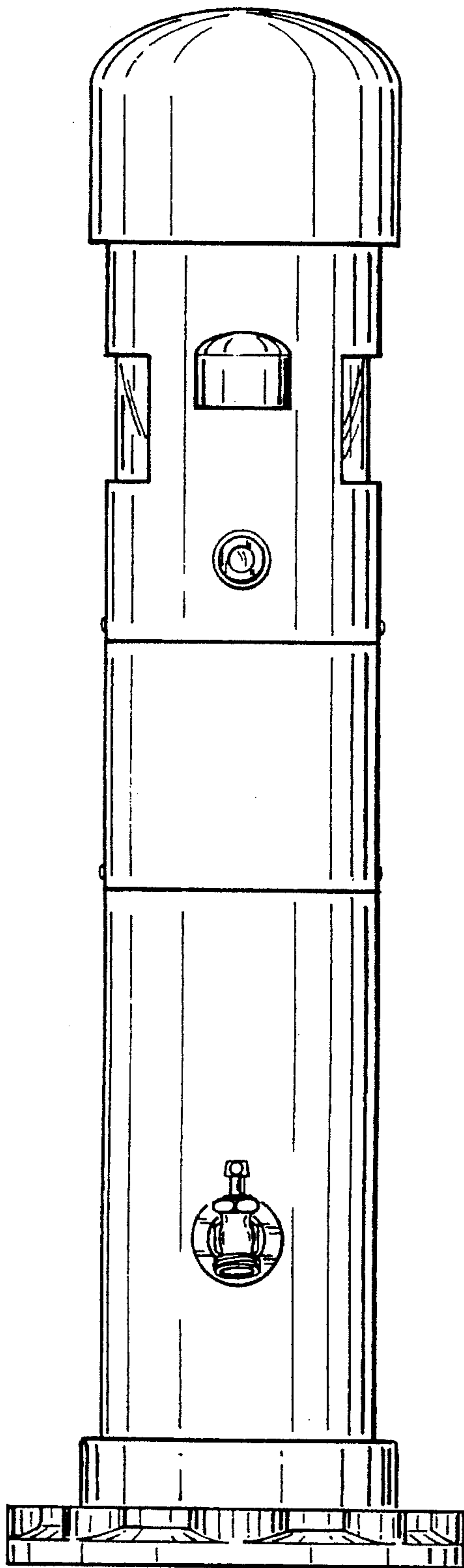


FIG. 3

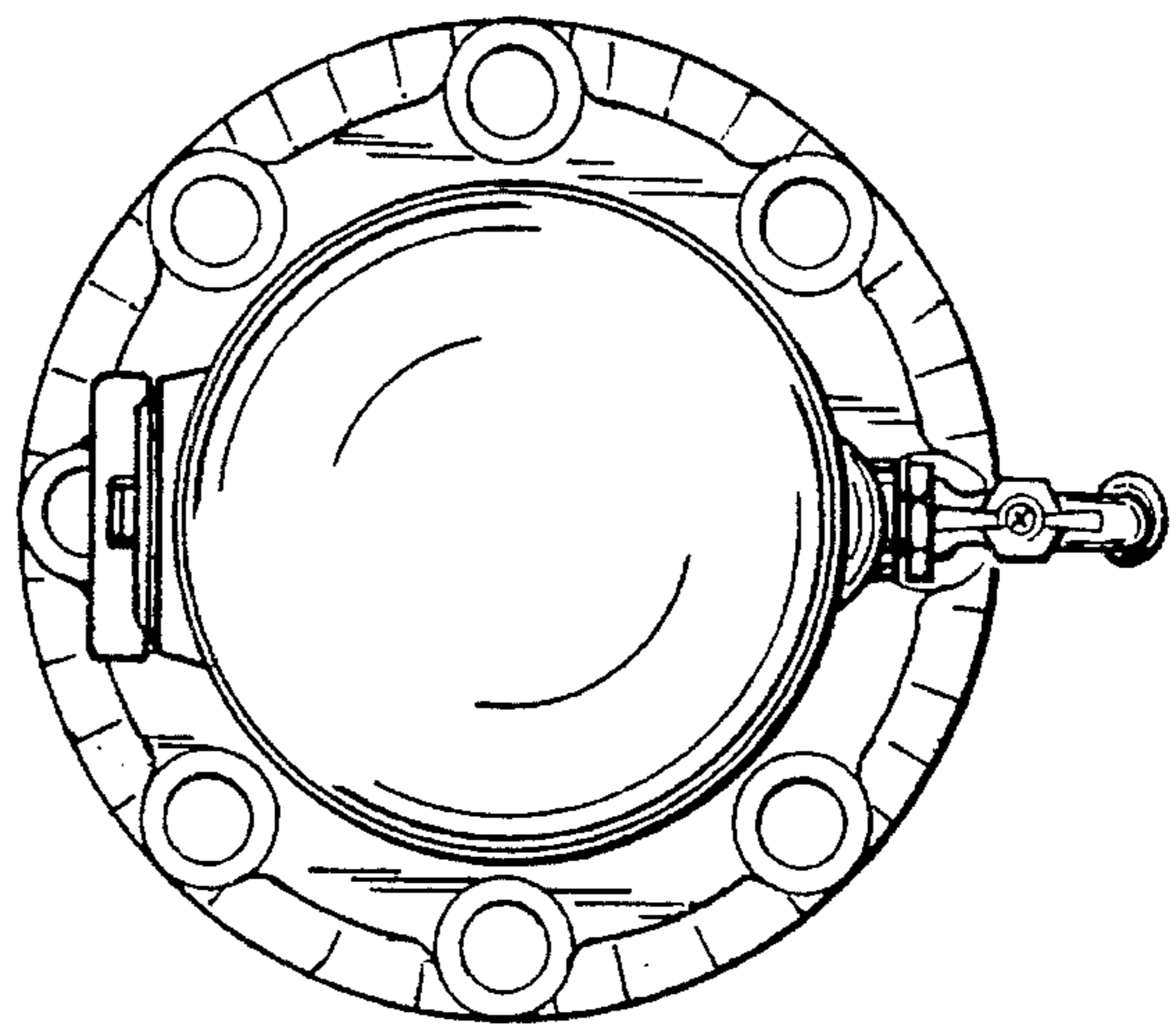


FIG. 4

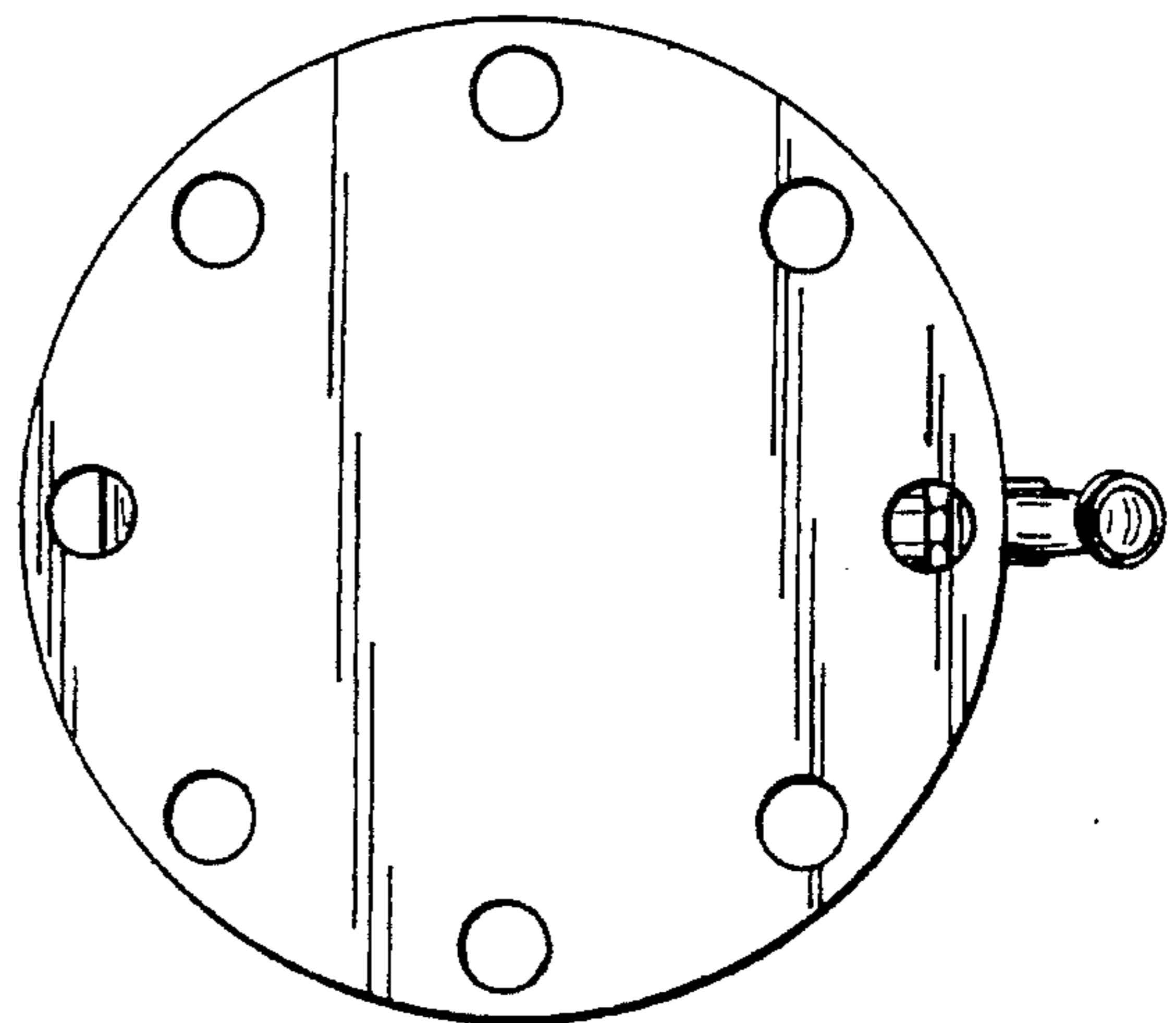


FIG. 5