



US00D367457S

United States Patent [19]

Fuleihan

[11] Patent Number: **Des. 367,457**

[45] Date of Patent: ****Feb. 27, 1996**

[54] **BLIND SPOT ELIMINATING SIDE VIEW MIRROR**

[76] Inventor: **Salim Fuleihan**, 1640 Alexandria Ct., Marietta, Ga. 30067

[**] Term: **14 Years**

[21] Appl. No.: **31,248**

[22] Filed: **Nov. 18, 1994**

[52] U.S. Cl. **D12/187**

[58] Field of Search D12/187, 188; 248/474, 476, 479; 359/838, 841, 844, 854, 850, 851, 855, 865, 866, 868, 871-873, 875, 879-881, 862-864

[56] **References Cited**

U.S. PATENT DOCUMENTS

- D. 284,651 7/1986 Tanaka .
- D. 285,188 8/1986 Recht D12/187
- D. 286,627 11/1986 Vitaloni .
- D. 302,966 8/1989 Sentmore et al. D12/187

- D. 310,505 9/1990 Unno .
- 4,585,316 4/1986 Knutson et al. D12/187 X
- 4,832,476 5/1989 Gabrielyan 248/479 X
- 5,383,054 1/1995 Chang 359/871 X

Primary Examiner—Freda Nunn
Attorney, Agent, or Firm—Terry M. Gernstein

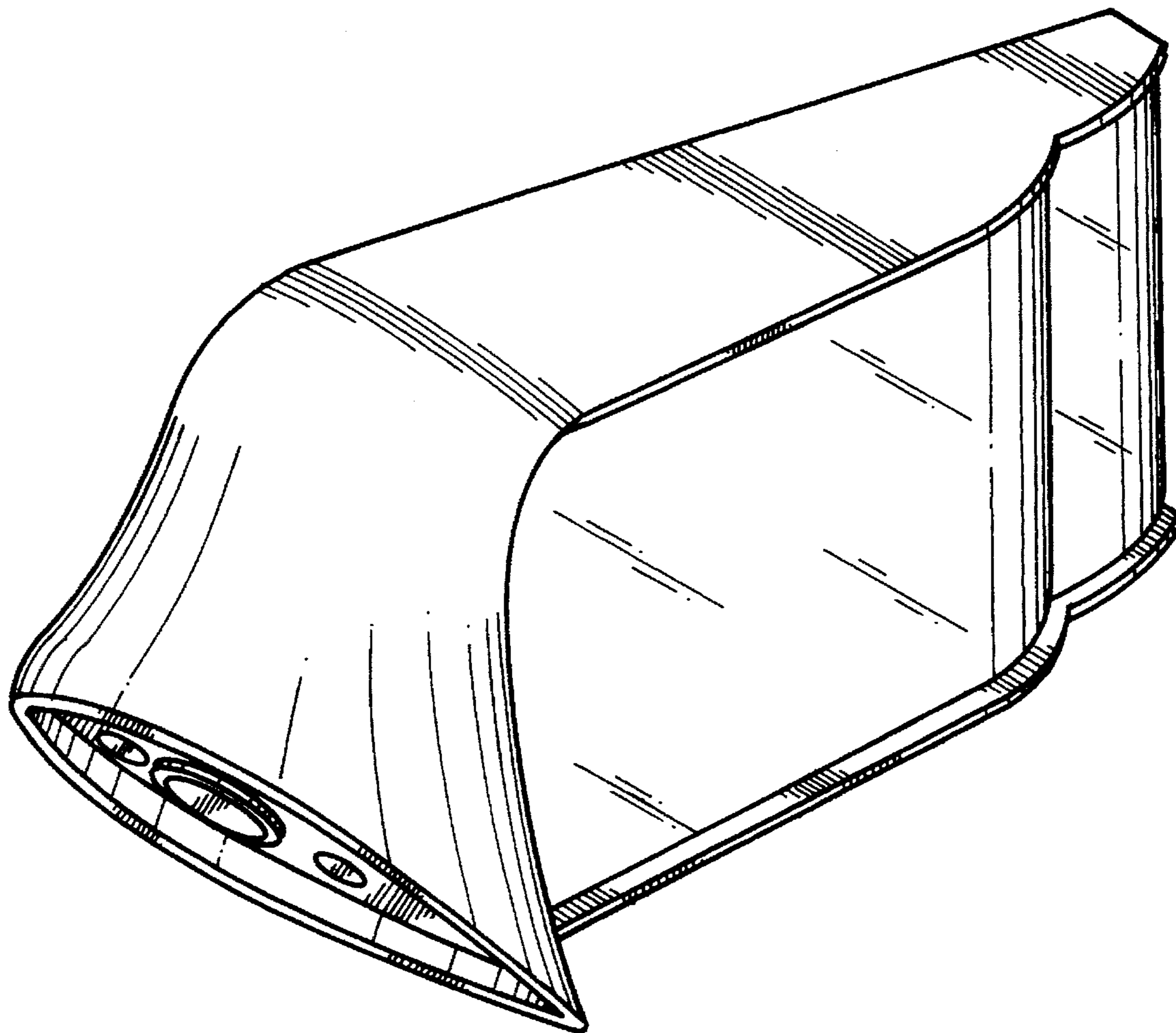
[57] **CLAIM**

The ornamental design for a blind spot eliminating side view mirror, as shown and described.

DESCRIPTION

FIG. 1 is a front, top and side perspective view of the blind spot eliminating side view mirror showing my new design; FIG. 2 is a front elevational view thereof; FIG. 3 is a rear elevational view thereof; FIG. 4 is a side elevational view thereof; FIG. 5 is a side elevational view thereof; FIG. 6 is a top plan view thereof; and, FIG. 7 is a bottom plan view thereof.

1 Claim, 3 Drawing Sheets



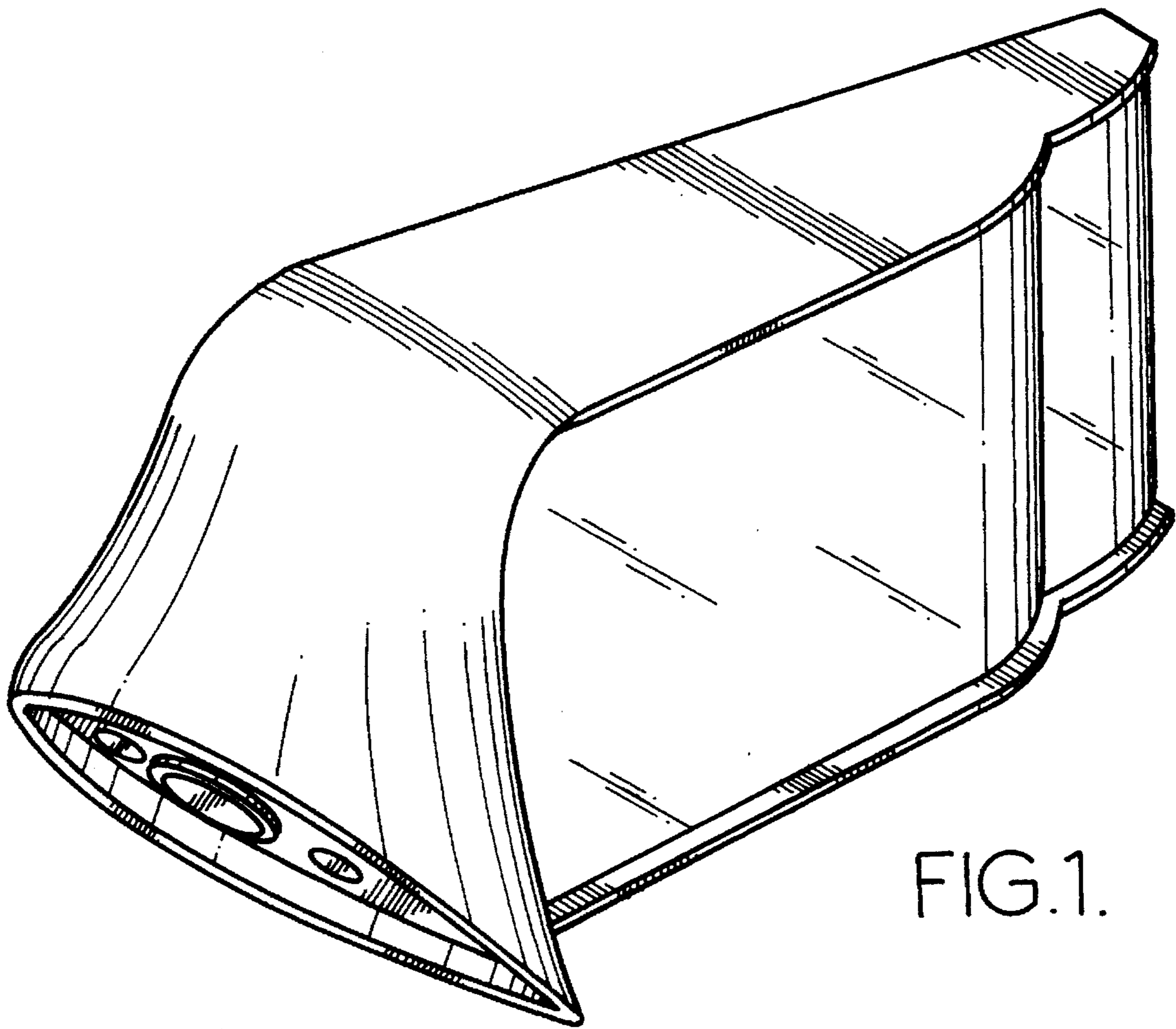


FIG.1.

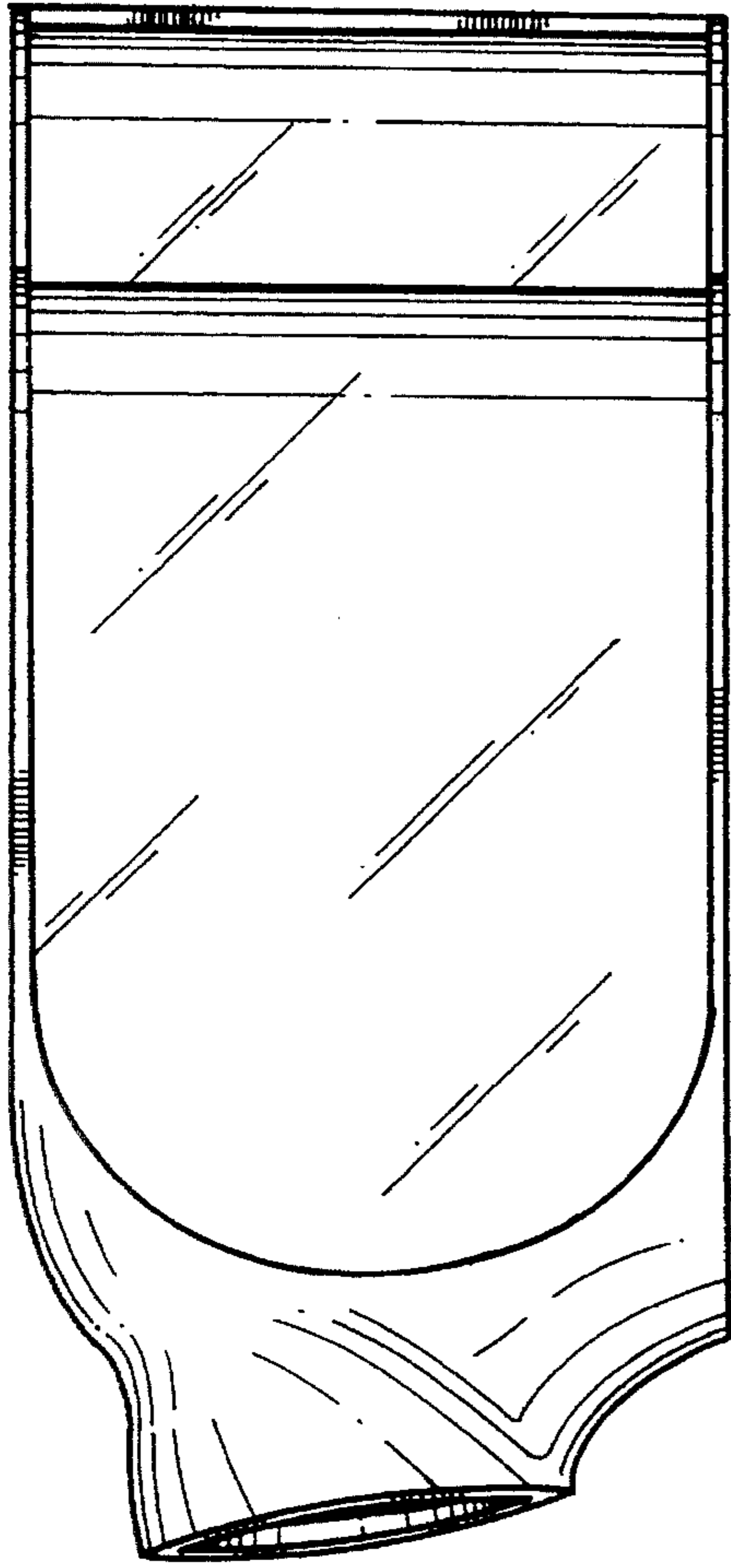


FIG. 2.

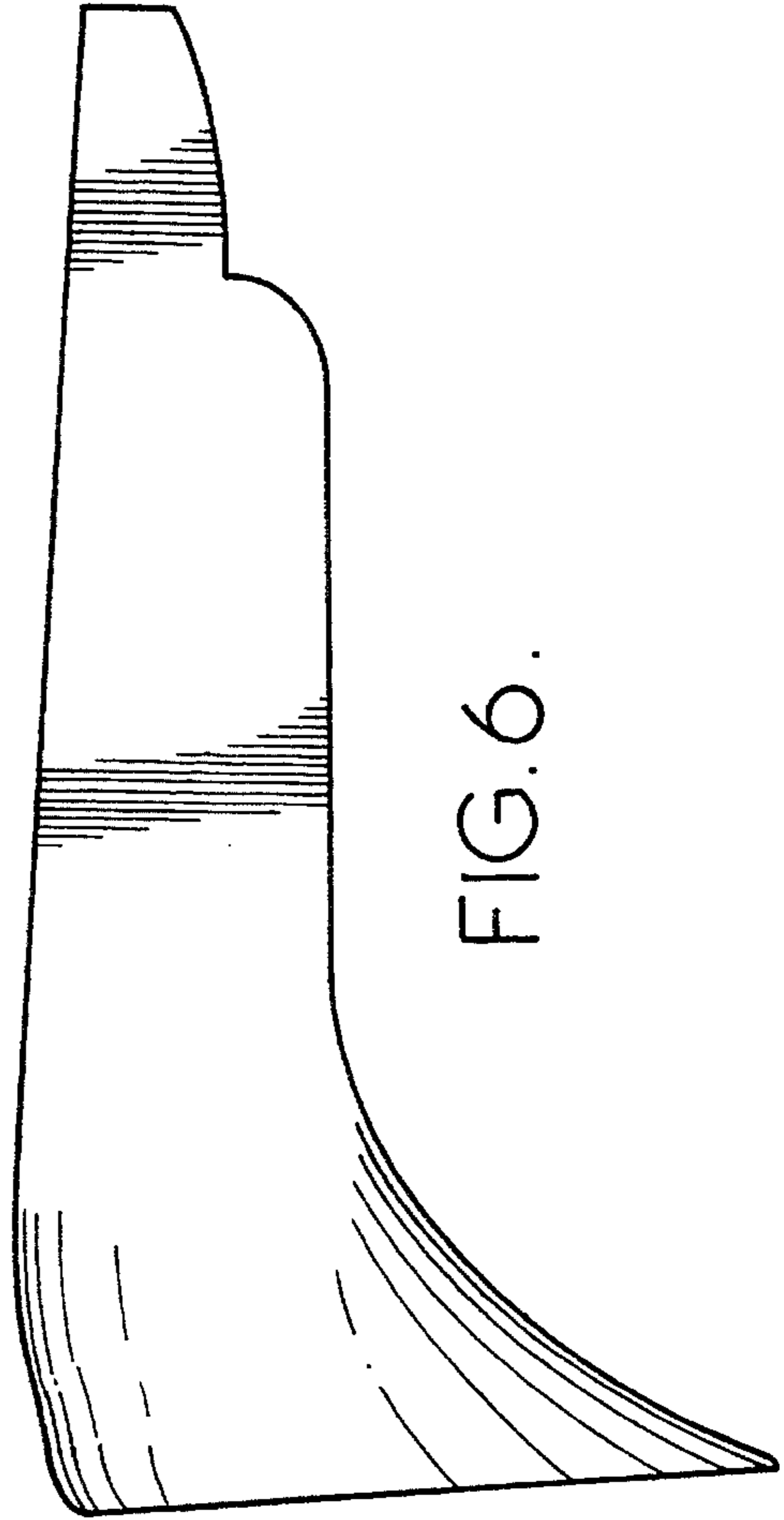


FIG. 6.

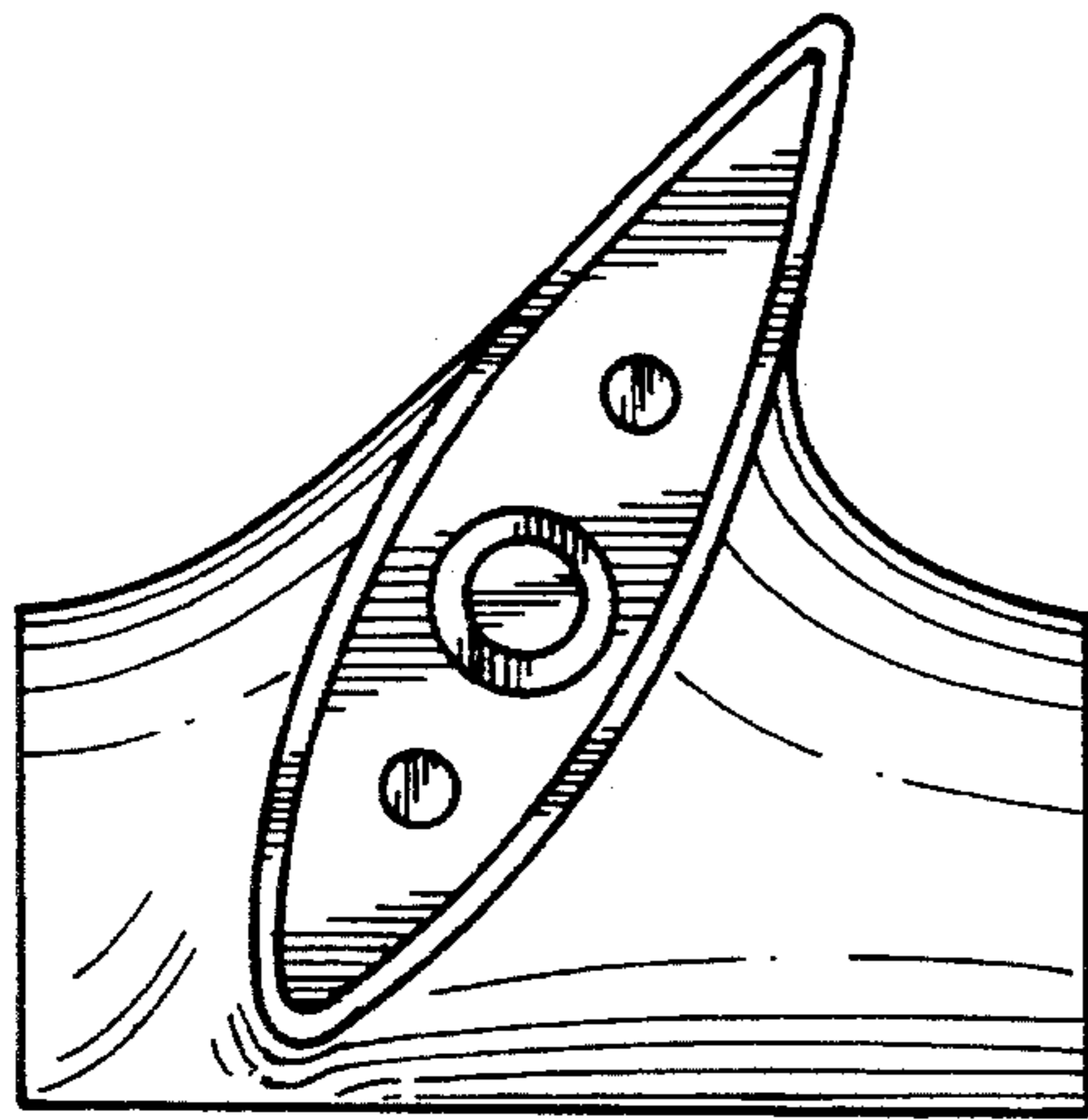


FIG. 5.

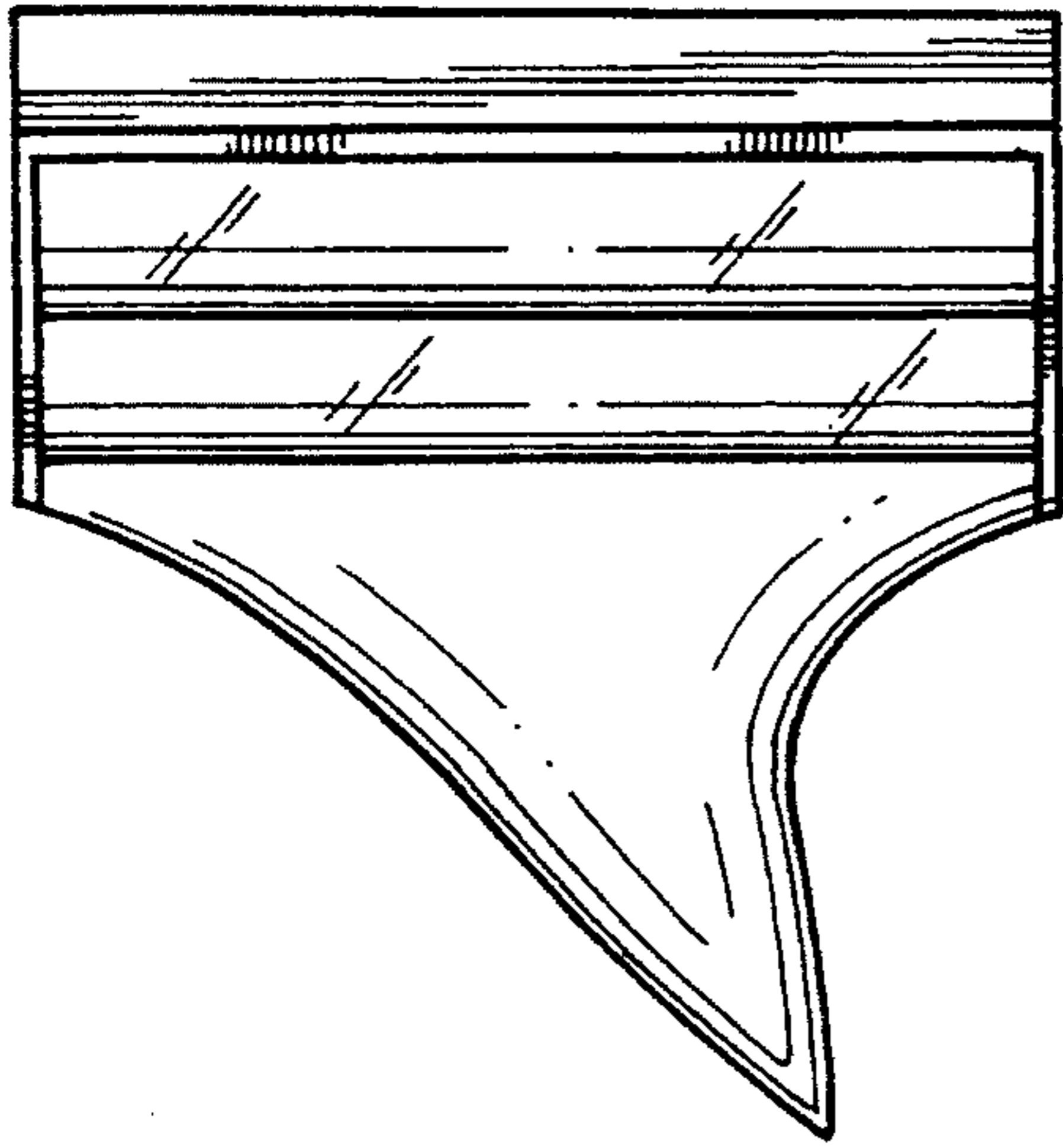


FIG. 4.

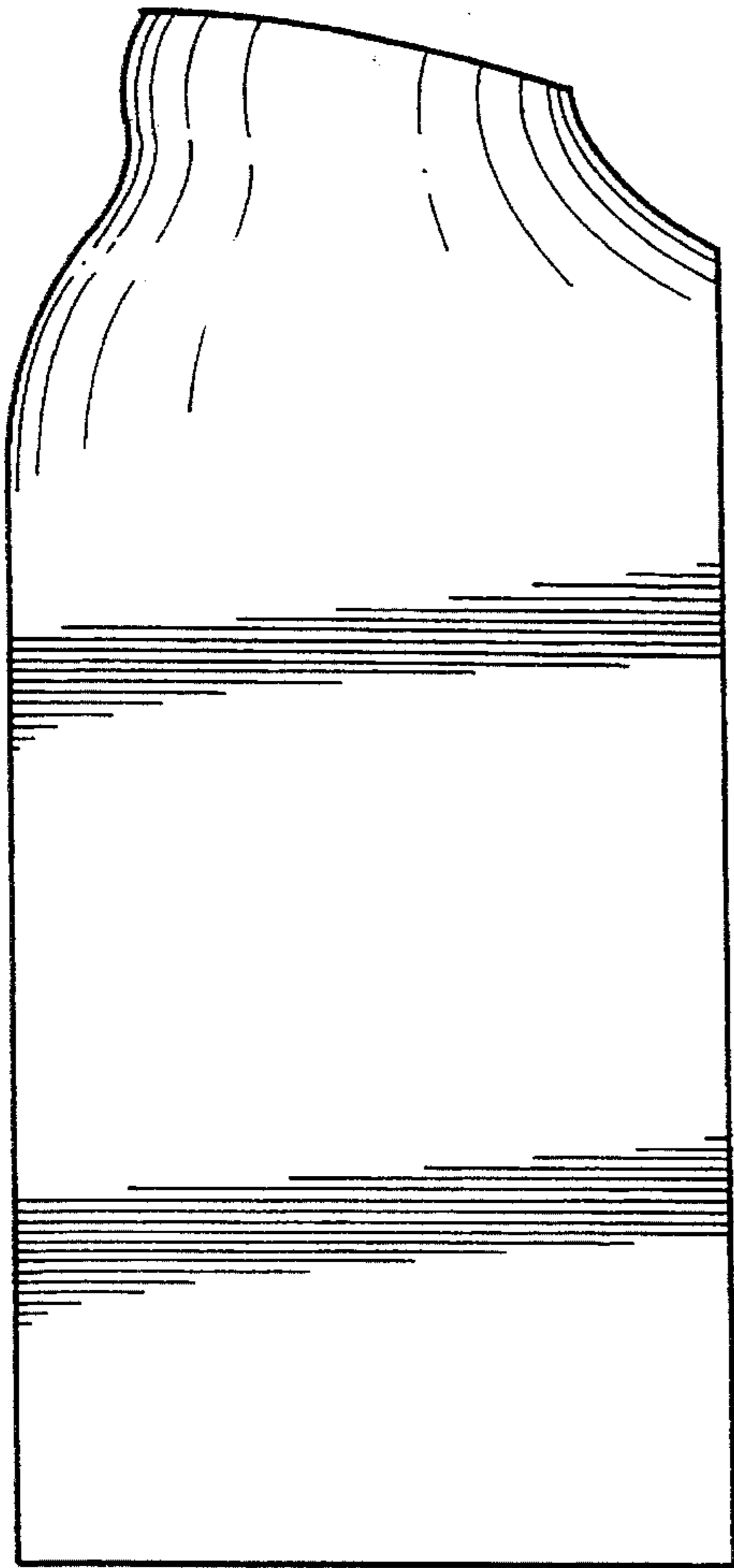


FIG. 3.

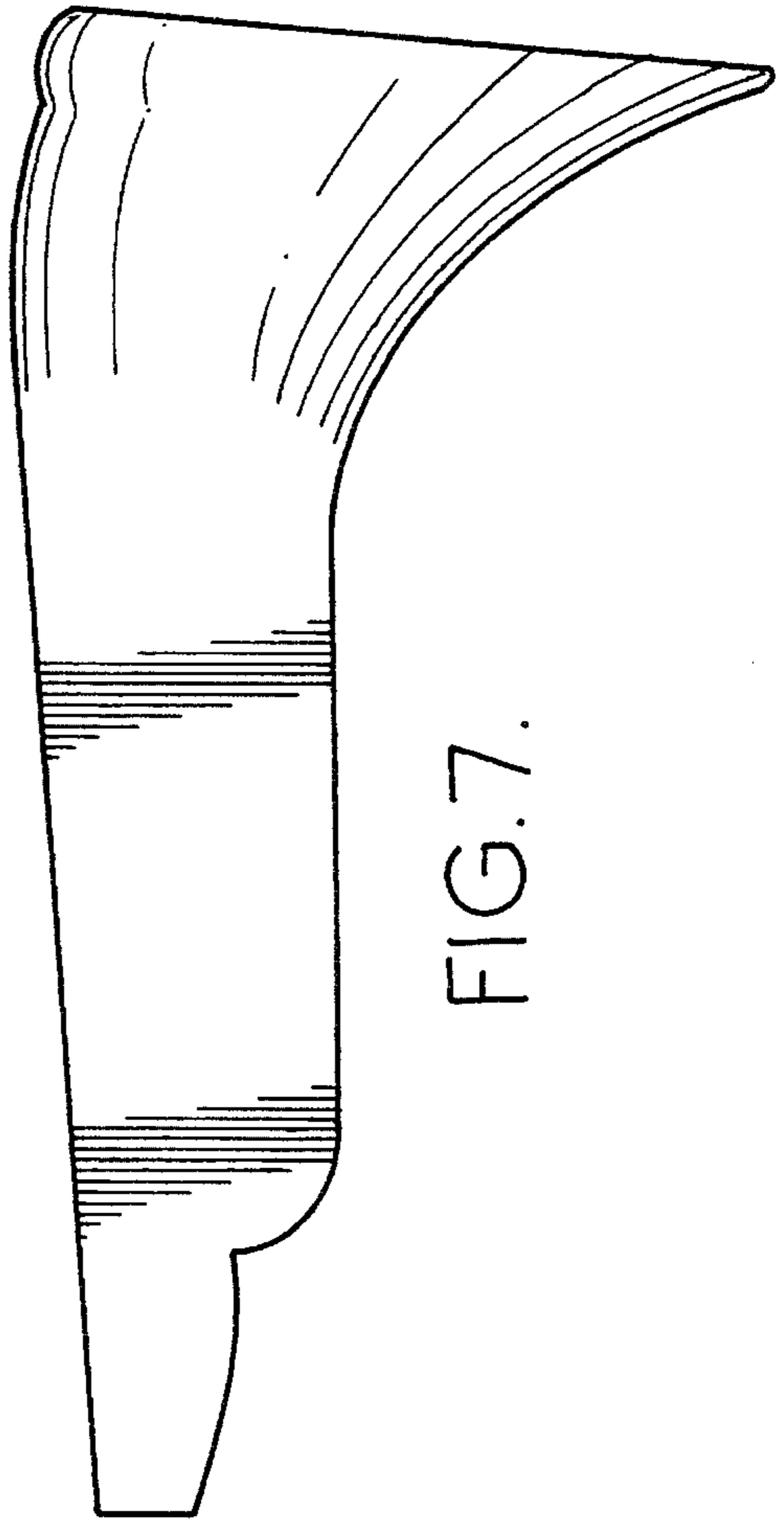


FIG. 7.