



US00D367454S

United States Patent [19]

[11] Patent Number: **Des. 367,454**

van der Meer et al.

[45] Date of Patent: ****Feb. 27, 1996**

[54] **TIRE TREAD**

[75] Inventors: **Alex van der Meer**, Schieren, Luxembourg; **Claude Lardo**, Walzing, Belgium

[73] Assignee: **The Goodyear Tire & Rubber Company**, Akron, Ohio

[**] Term: **14 Years**

[21] Appl. No.: **32,756**

[22] Filed: **Dec. 27, 1994**

[52] U.S. Cl. **D12/147**

[58] Field of Search D12/136, 138, D12/145-151; 152/209 R, 209 B, 209 D

[56] **References Cited**

U.S. PATENT DOCUMENTS

D. 277,469 2/1985 Messer D12/151
D. 329,031 9/1992 Lassan D12/146

FOREIGN PATENT DOCUMENTS

506279 9/1992 European Pat. Off. 152/209 R

Primary Examiner—James M. Gandy
Attorney, Agent, or Firm—T. P. Lewandowski

[57] **CLAIM**

The ornamental design for a tire tread, as shown and described.

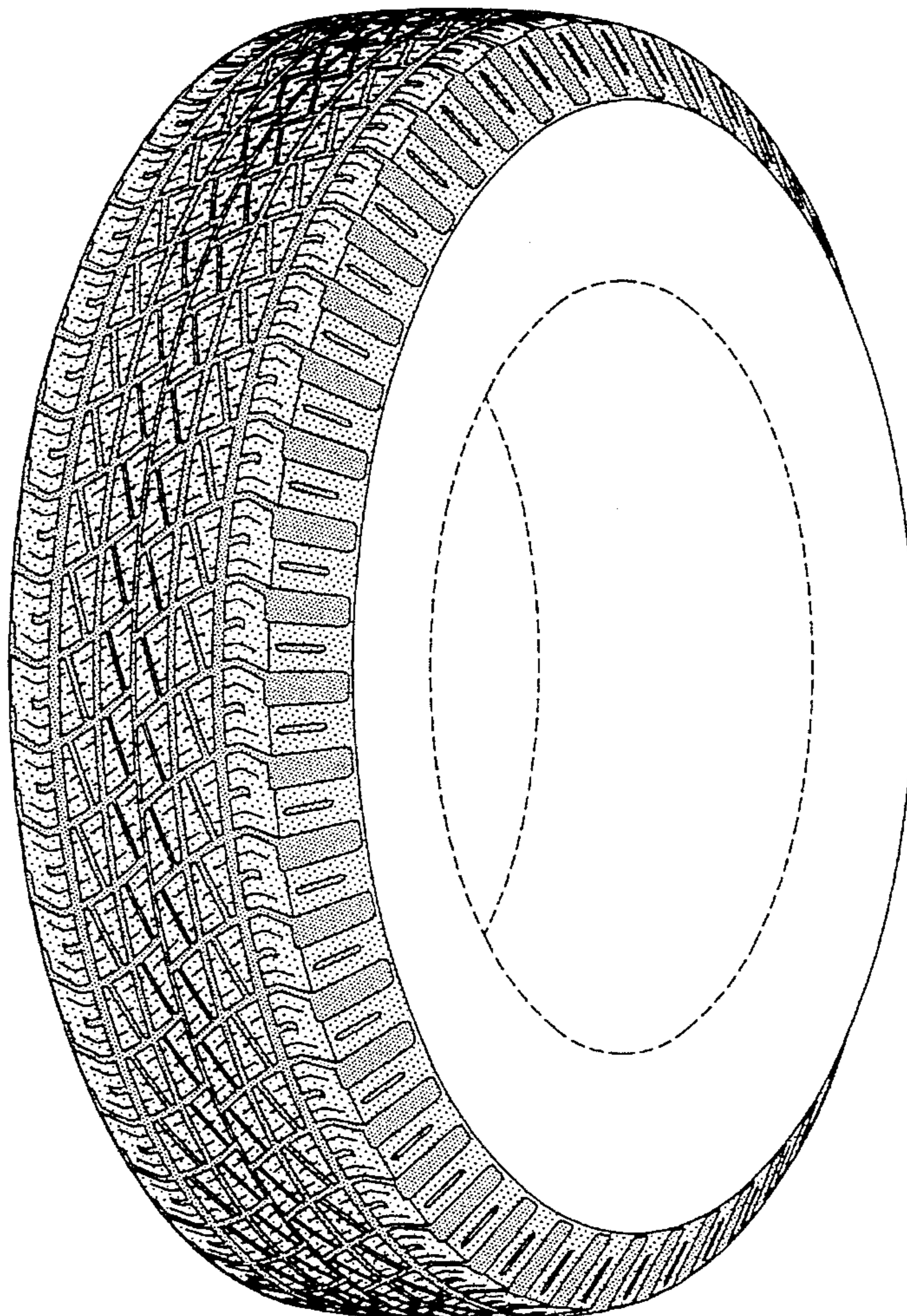
DESCRIPTION

FIG. 1 is a perspective view of a tire tread; FIG. 2 is a front elevational view thereof; FIG. 3 is a side elevational view thereof; FIG. 4 is an enlarged fragmentary front view thereof; and, FIG. 5 is a front elevational view of a second embodiment of the tire tread, it being understood that the side thereof is substantially the same as that of the first embodiment shown in FIG. 3.

The tread pattern is understood to be repeated uniformly throughout the circumference of both embodiments of the tire tread.

The broken line showing of the tire sidewall in the drawings is for illustrative purposes only and forms no part of the claimed design.

1 Claim, 5 Drawing Sheets



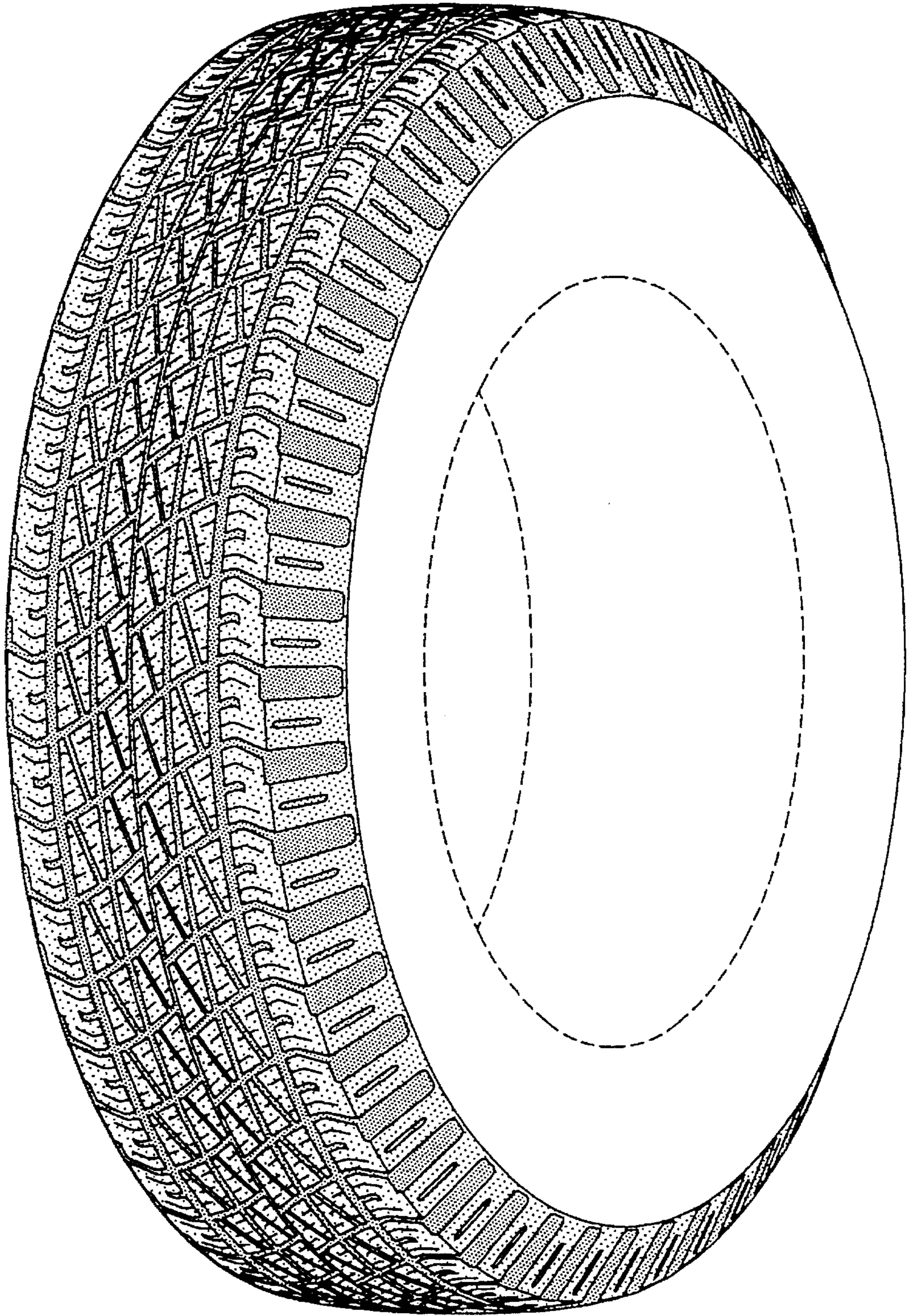


FIG-1

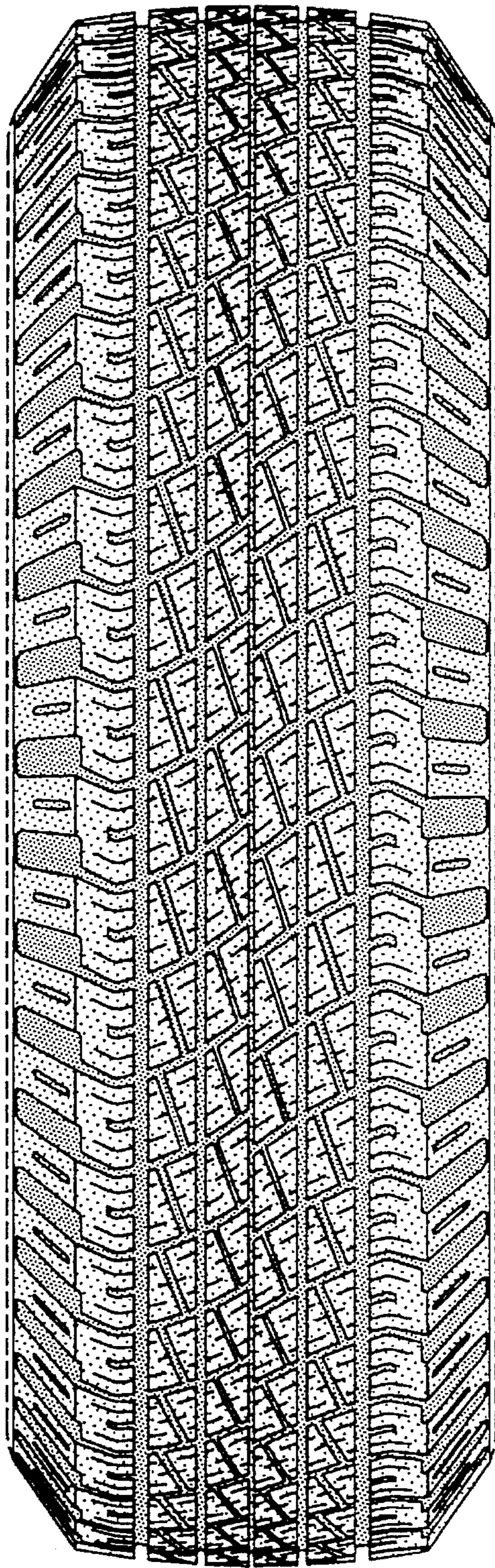


FIG-2

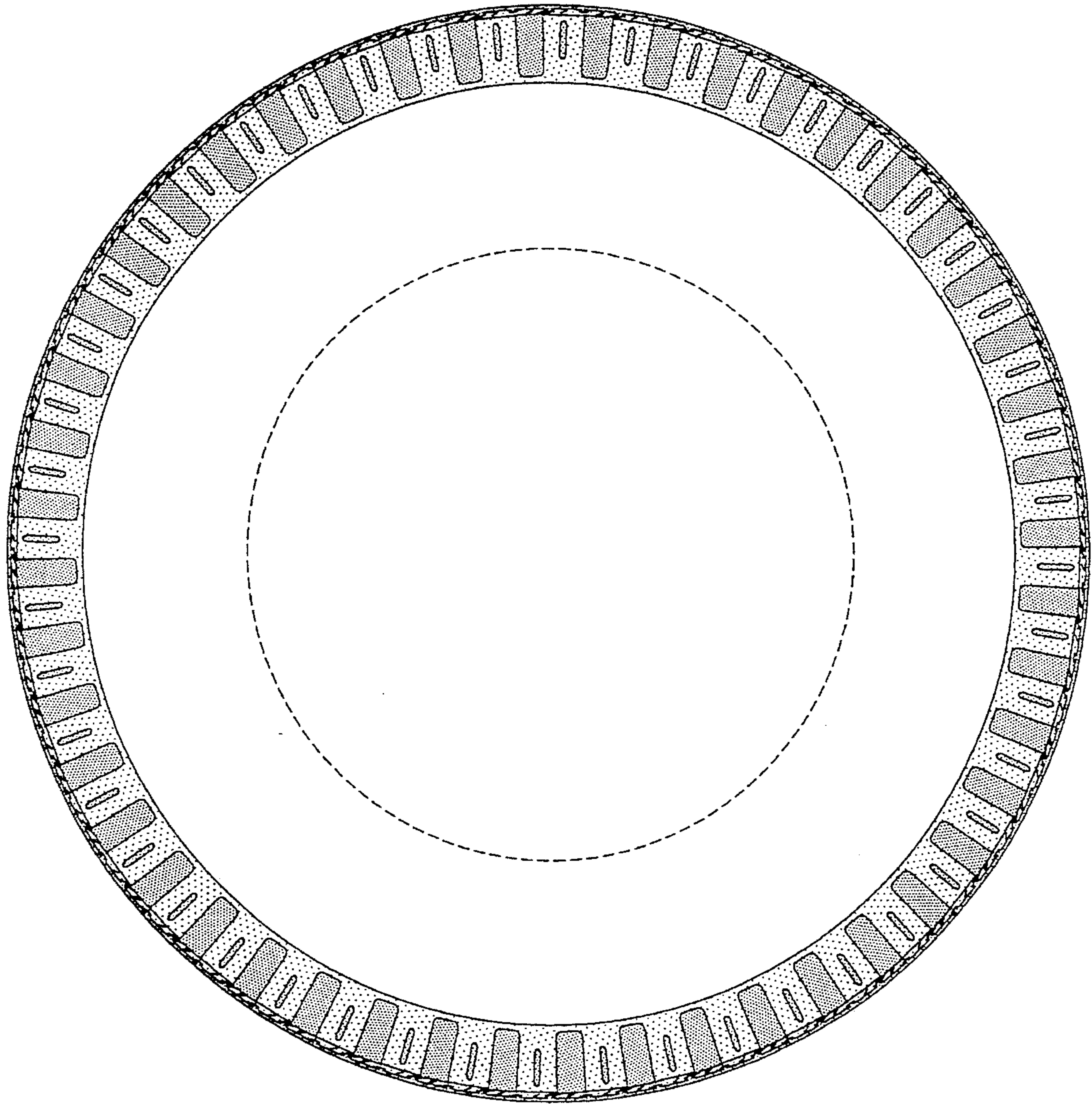


FIG-3

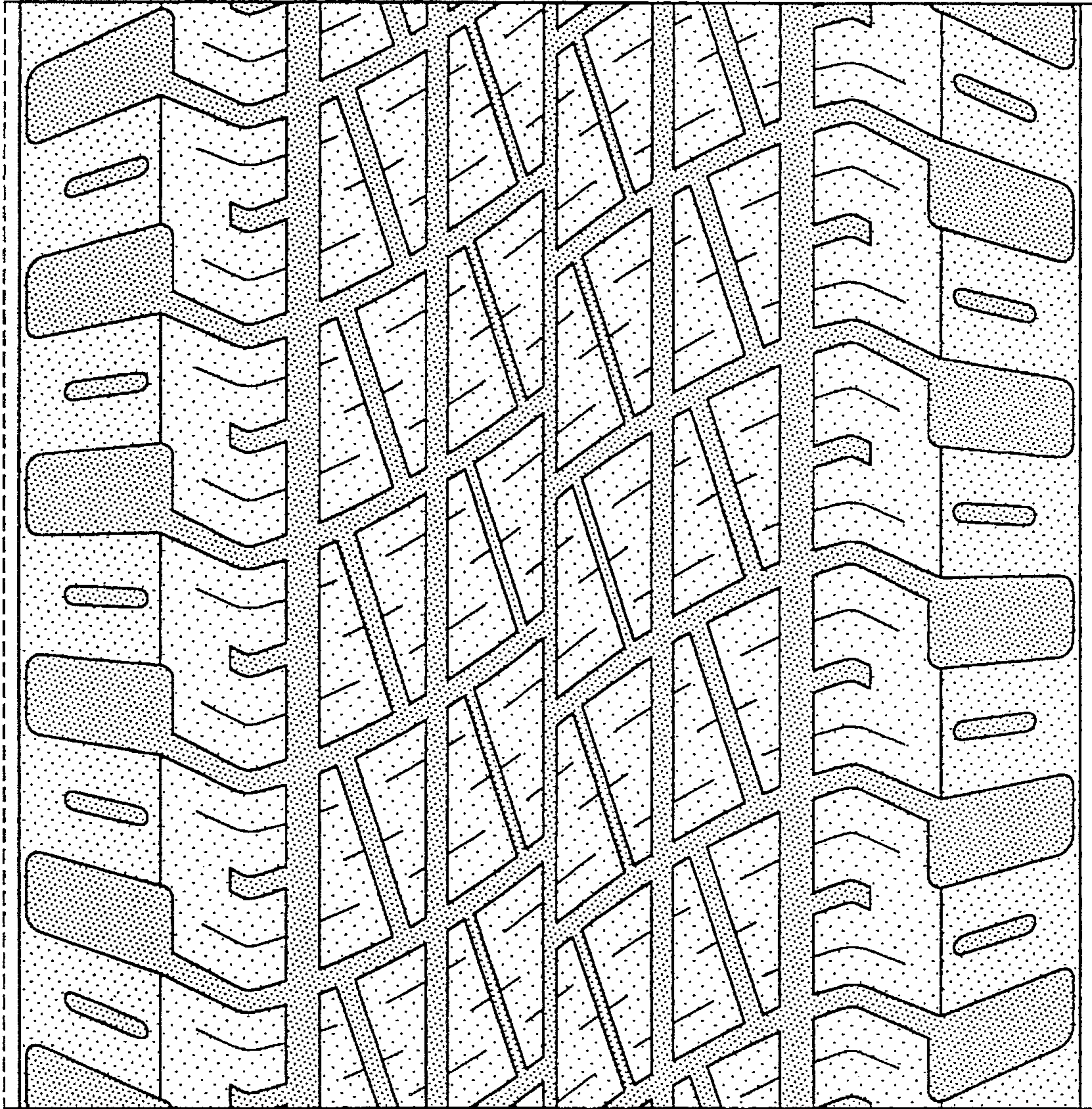


FIG-4

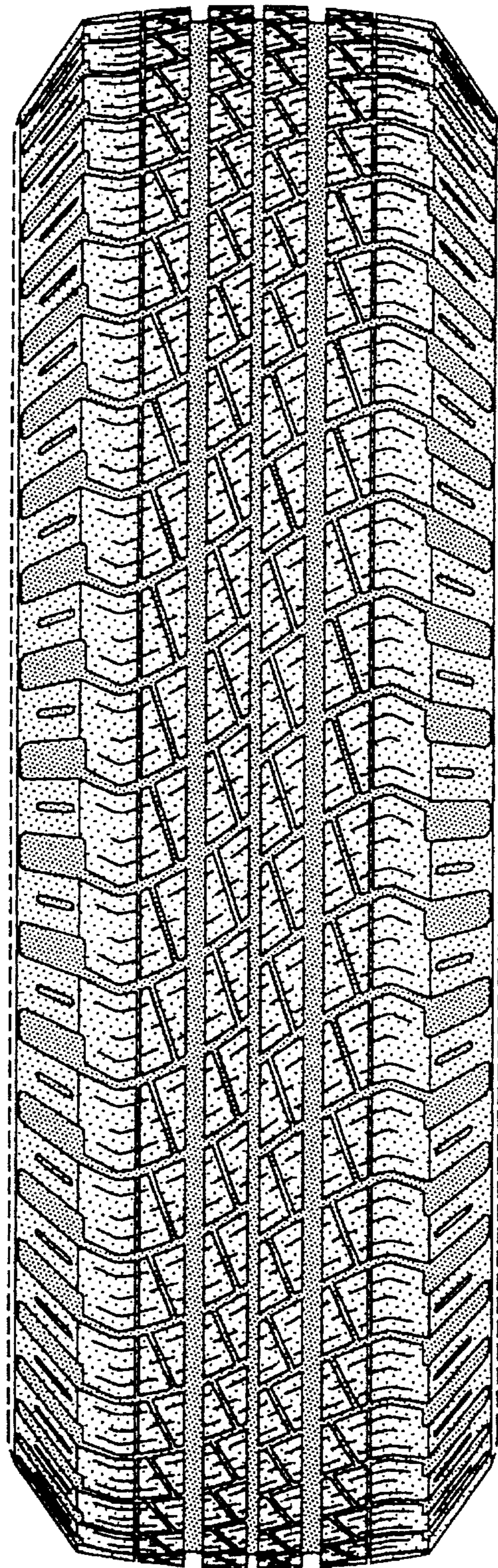


FIG-5