



US00D367451S

United States Patent [19]

[11] Patent Number: **Des. 367,451**

Scarpitti et al.

[45] Date of Patent: ****Feb. 27, 1996**

[54] TIRE TREAD

FOREIGN PATENT DOCUMENTS

[75] Inventors: **Anthony J. Scarpitti**, Uniontown;
Michael A. Kolowski, Mogadore;
Frederick W. Miller, Akron; **Donald W. Gilliam**, Uniontown; **Keith C. Trares**; **Stephanie C. Brown**, both of Akron, all of Ohio

3112704 5/1991 Japan 152/209 R

Primary Examiner—James M. Gandy
Attorney, Agent, or Firm—T. P. Lewandowski

[73] Assignee: **The Goodyear Tire & Rubber Company**, Akron, Ohio

[57] CLAIM

The ornamental design for a tire tread, as shown and described.

[**] Term: **14 Years**

DESCRIPTION

[21] Appl. No.: **31,716**

FIG. 1 is a perspective view of a tire tread;
FIG. 2 is a front elevational view thereof;
FIG. 3 is a side elevational view thereof; and,
FIG. 4 is an enlarged fragmentary front view thereof.

[22] Filed: **Dec. 5, 1994**

[52] U.S. Cl. **D12/147**

[58] Field of Search D12/141-143,
D12/145-151; 152/209 R, 209 B, 209 D

The tread pattern is understood to be repeated uniformly throughout the circumference of the tire tread.

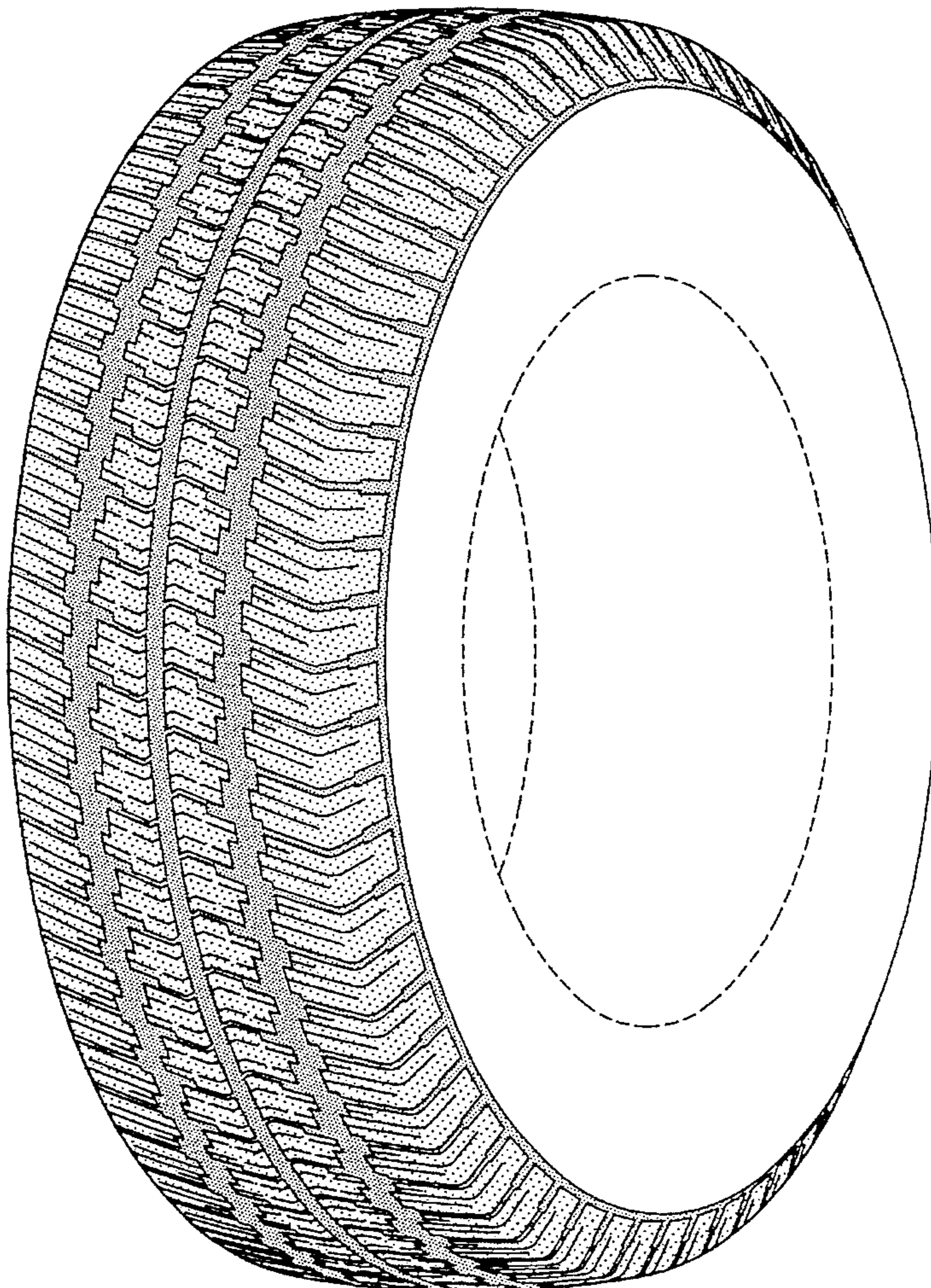
The broken line showing of the tire sidewall in the drawings is for illustrative purposes only and forms no part of the claimed design.

[56] References Cited

U.S. PATENT DOCUMENTS

D. 354,725 1/1995 McKisson D12/146

1 Claim, 4 Drawing Sheets



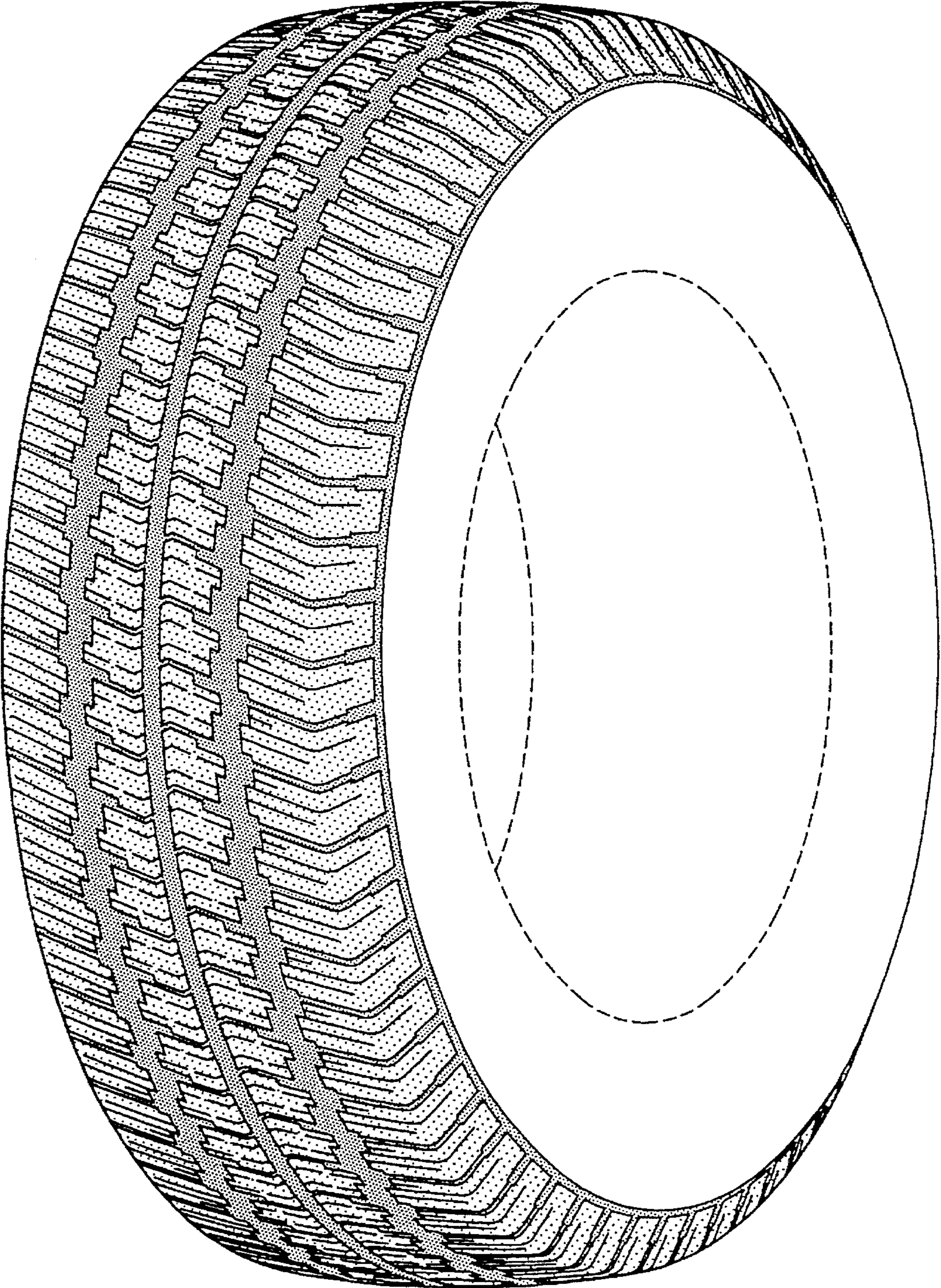


FIG-1

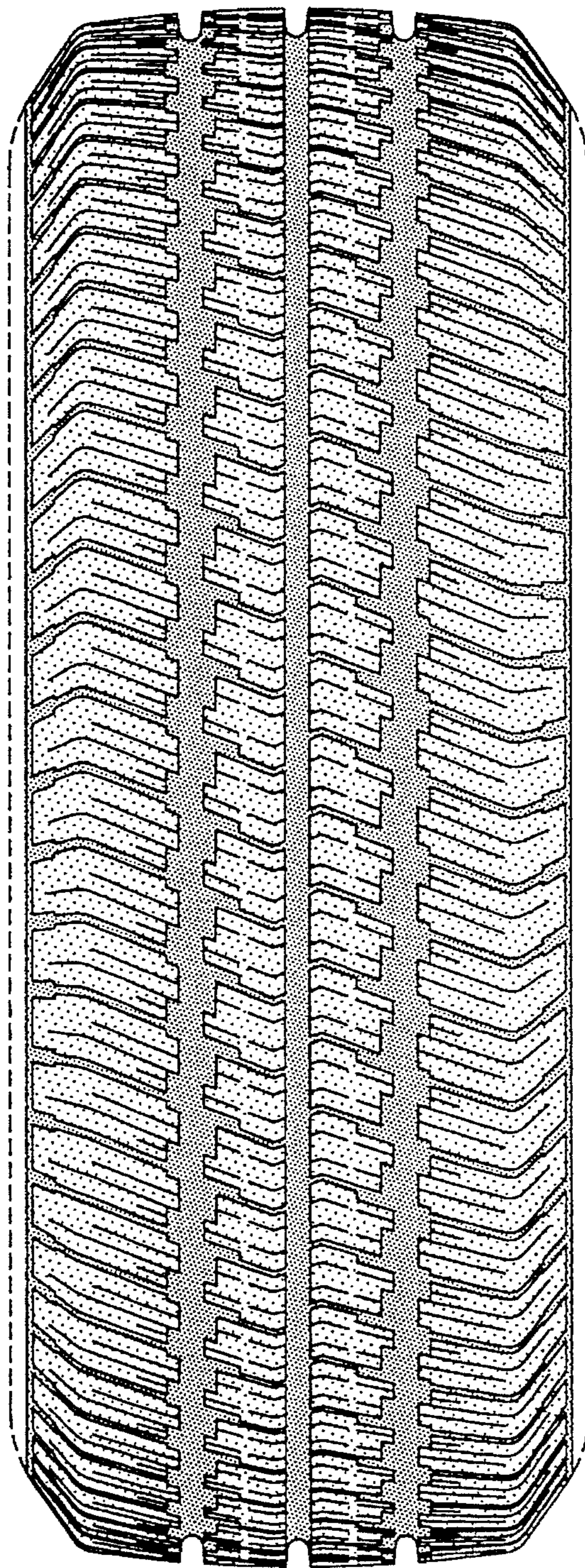


FIG-2

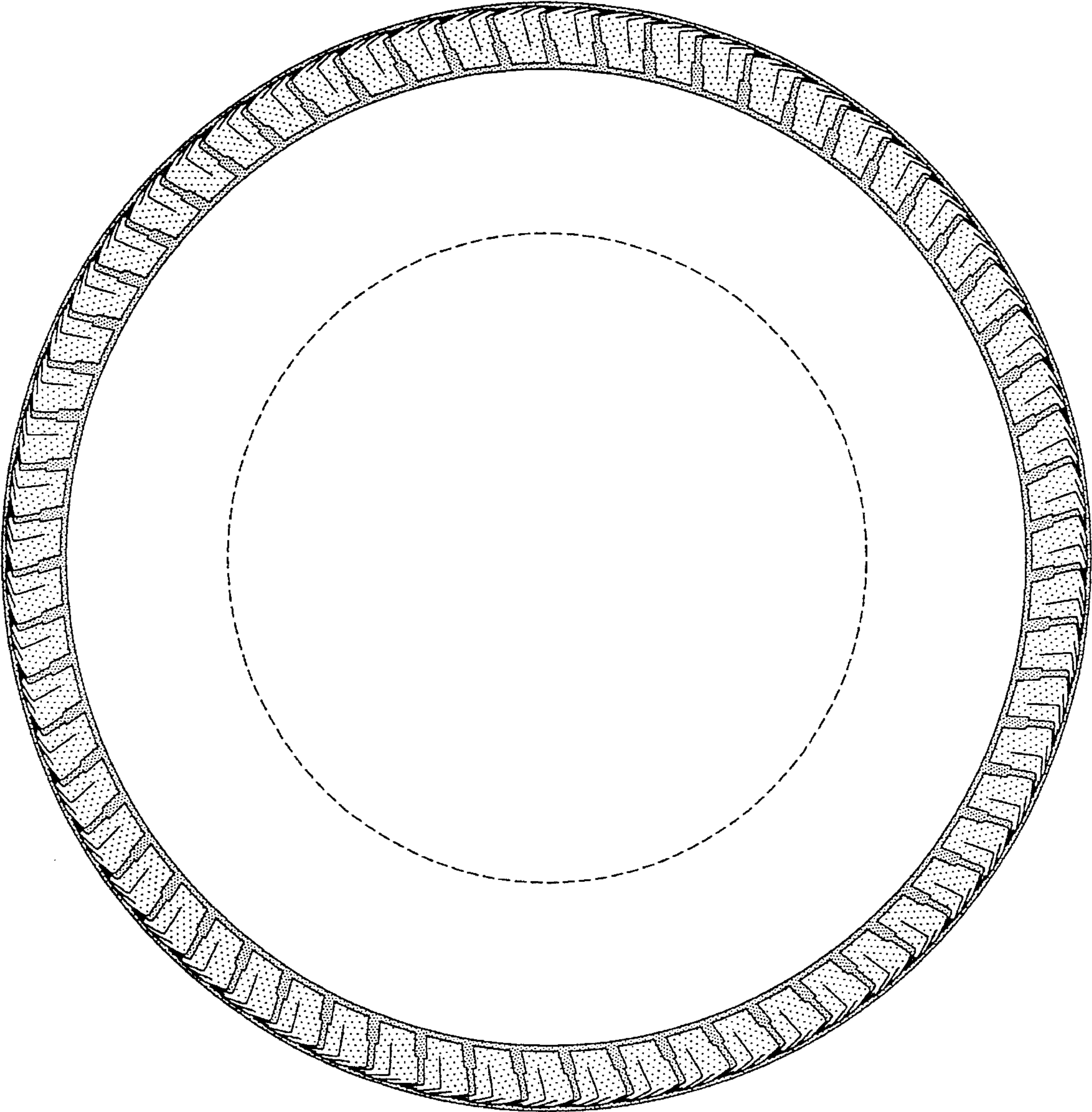


FIG-3

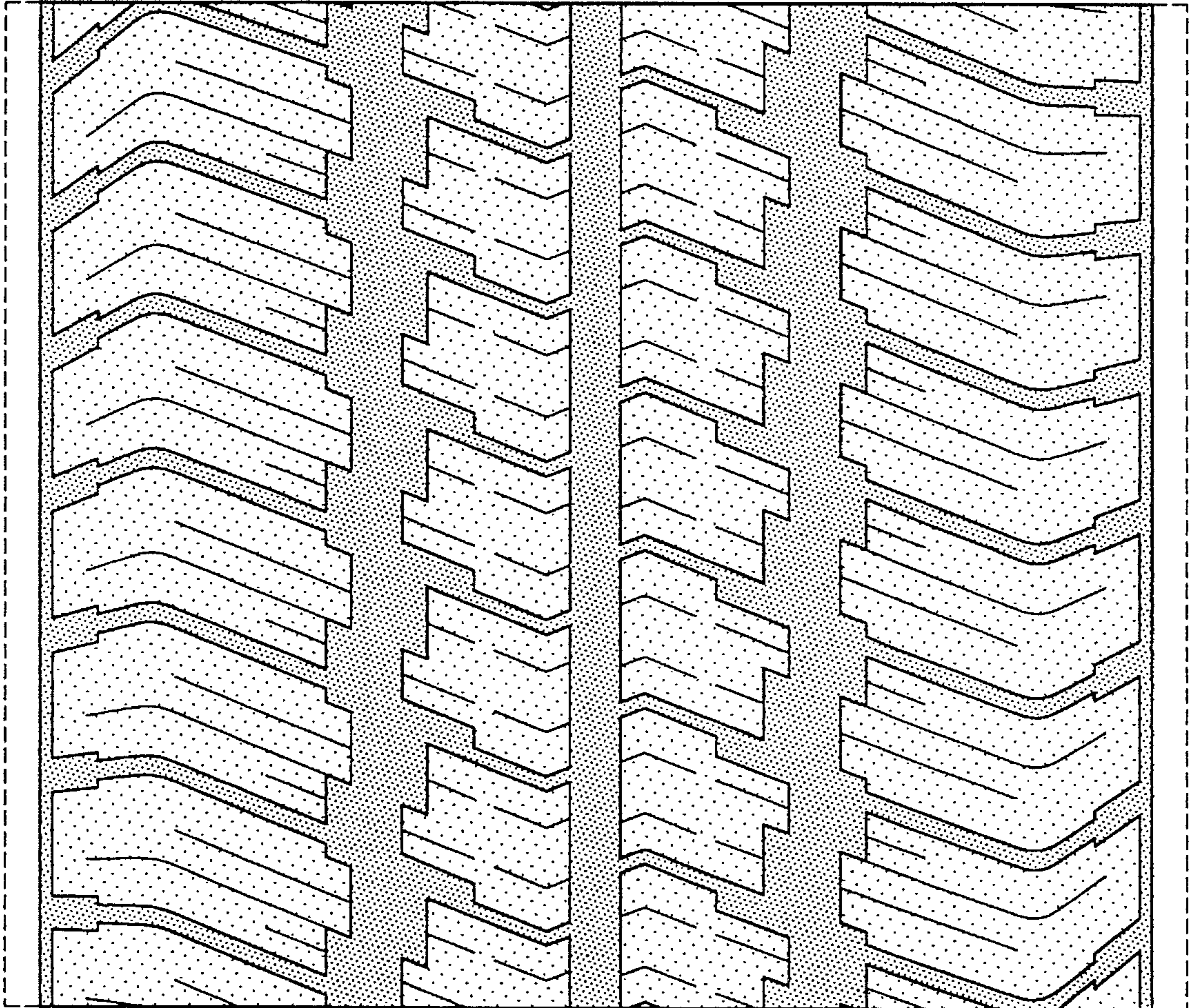


FIG-4