



US00D367447S

United States Patent [19]

Hammond et al.

[11] Patent Number: **Des. 367,447**

[45] Date of Patent: ****Feb. 27, 1996**

[54] TIRE TREAD

[75] Inventors: **Philip S. Hammond**, Mogadore;
Ronald L. Loeffler, Akron; **Deborah L. Young**, Copley, all of Ohio

[73] Assignee: **The Goodyear Tire & Rubber Company**, Akron, Ohio

[**] Term: **14 Years**

[21] Appl. No.: **26,189**

[22] Filed: **Jul. 21, 1994**

Related U.S. Application Data

[63] Continuation-in-part of Ser. No. 17,833, Jan. 24, 1994, abandoned.

[52] U.S. Cl. **D12/143**

[58] Field of Search **D12/141-143;**
152/209 R, 209 D

[56] References Cited

U.S. PATENT DOCUMENTS

D. 253,642	12/1979	Amarger	D12/142
D. 288,914	3/1987	Hinkel et al.	D12/143
D. 352,487	11/1994	Paulin et al.	D12/143

FOREIGN PATENT DOCUMENTS

803515	12/1990	Japan .	
3253408	11/1991	Japan	152/209 R
3258602	11/1991	Japan	152/209 R
11138	8/1990	Rep. of Korea .	

OTHER PUBLICATIONS

1994 Tread Design Guide, p. 136 (G-159 & G-259).
1994 Tread Design Guide, p. 145 (Michelin XZA-1+& Pilot XA, Pilot XZA).

Primary Examiner—James M. Gandy
Attorney, Agent, or Firm—T. P. Lewandowski

[57] CLAIM

The ornamental design for a tire tread, as shown and described.

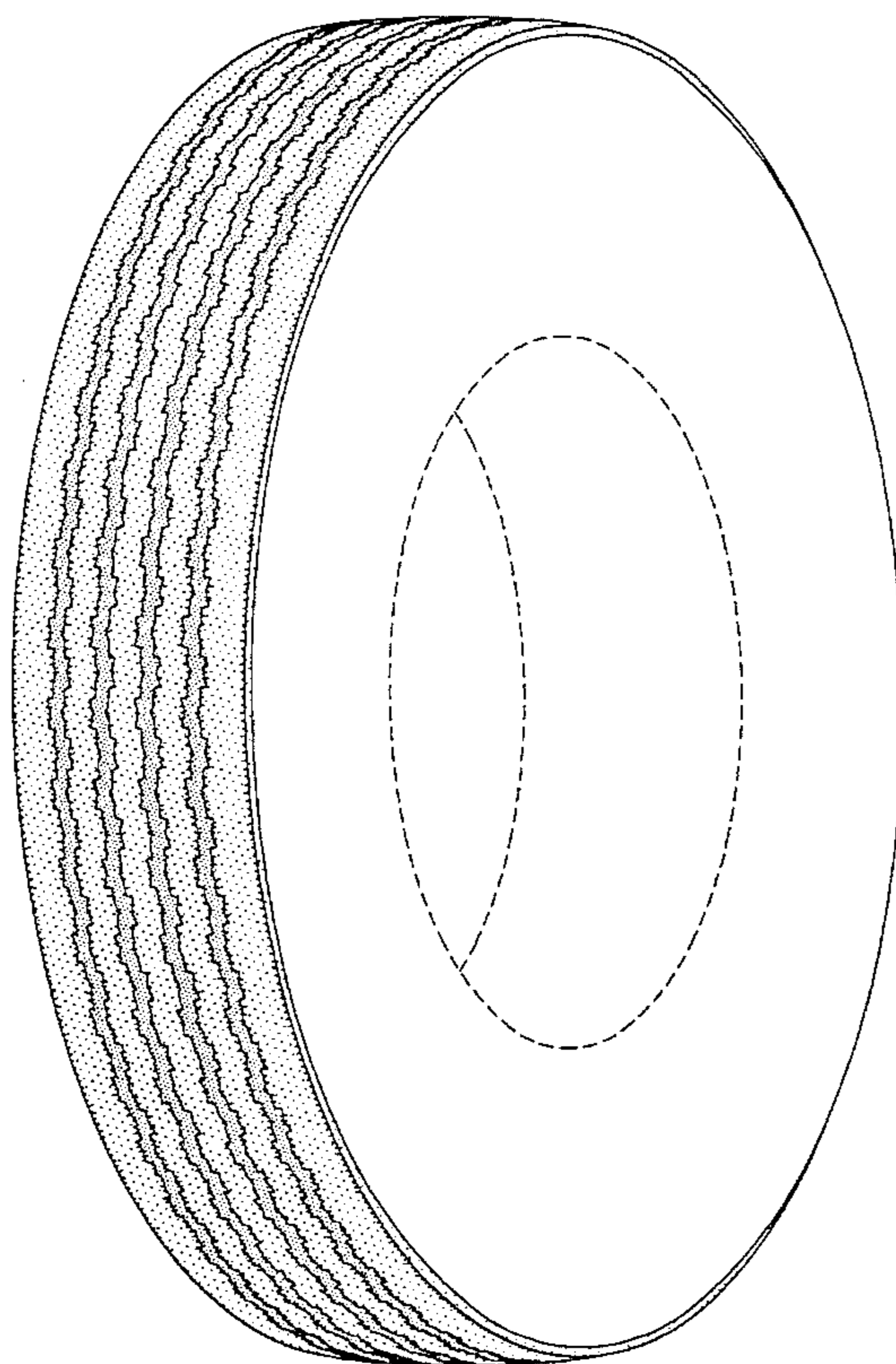
DESCRIPTION

FIG. 1 is a perspective view of a tire tread;
FIG. 2 is a front elevational view thereof;
FIG. 3 is a side elevational view thereof;
FIG. 4 is an enlarged fragmentary front view thereof;
FIG. 5 is a front elevation view of a second embodiment of the tire tread, it being understood that the side thereof is substantially the same as that of the first embodiment shown in FIG. 3; and,
FIG. 6 is an enlarged fragmentary front view thereof of the second embodiment of the tire tread.

The tread pattern is understood to be repeated uniformly throughout the circumference of both embodiments of the tire tread.

The broken line showing of the tire sidewall in the drawings is for illustrative purposes only and forms no part of the claimed design.

1 Claim, 6 Drawing Sheets



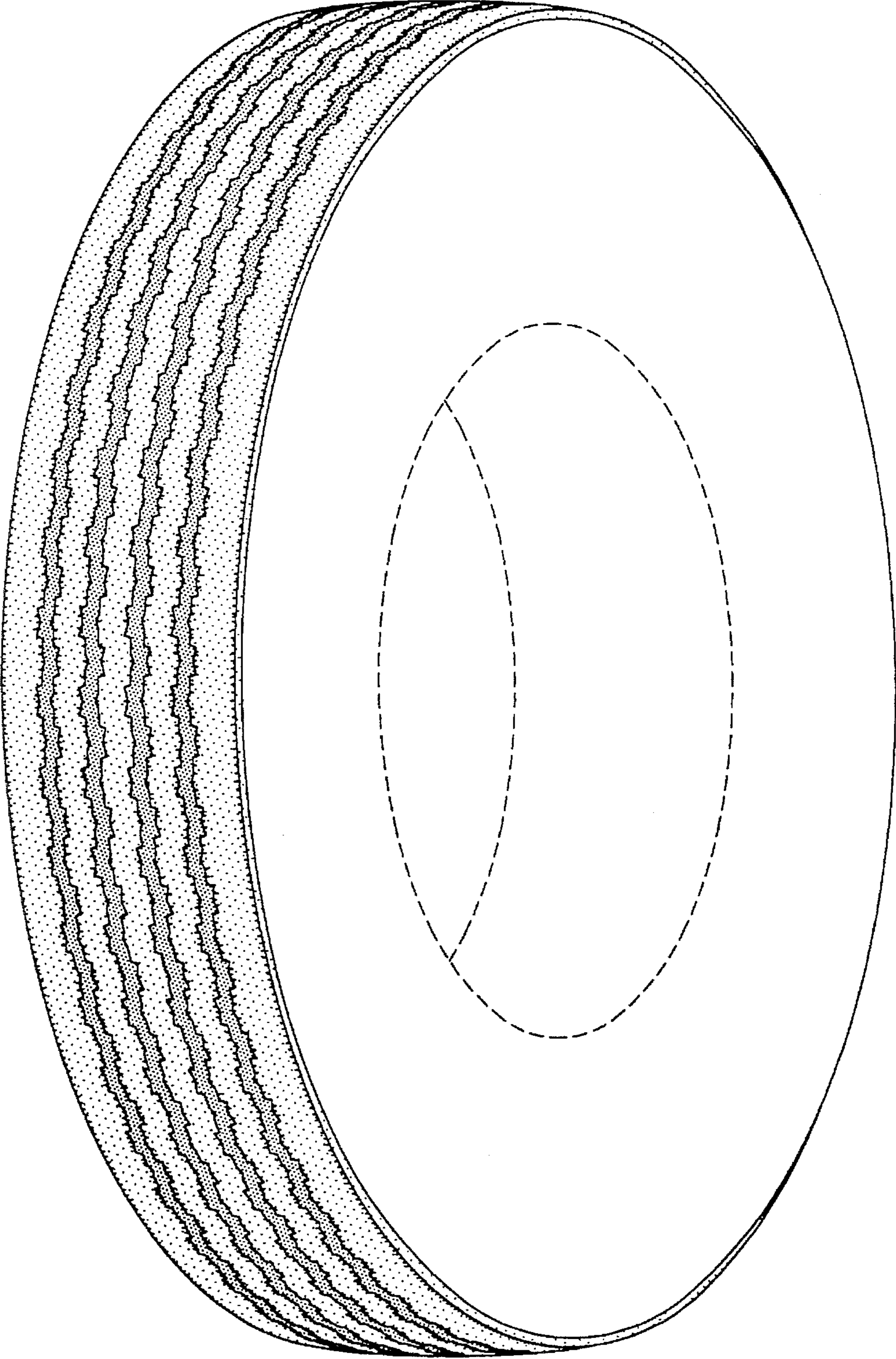


FIG-1

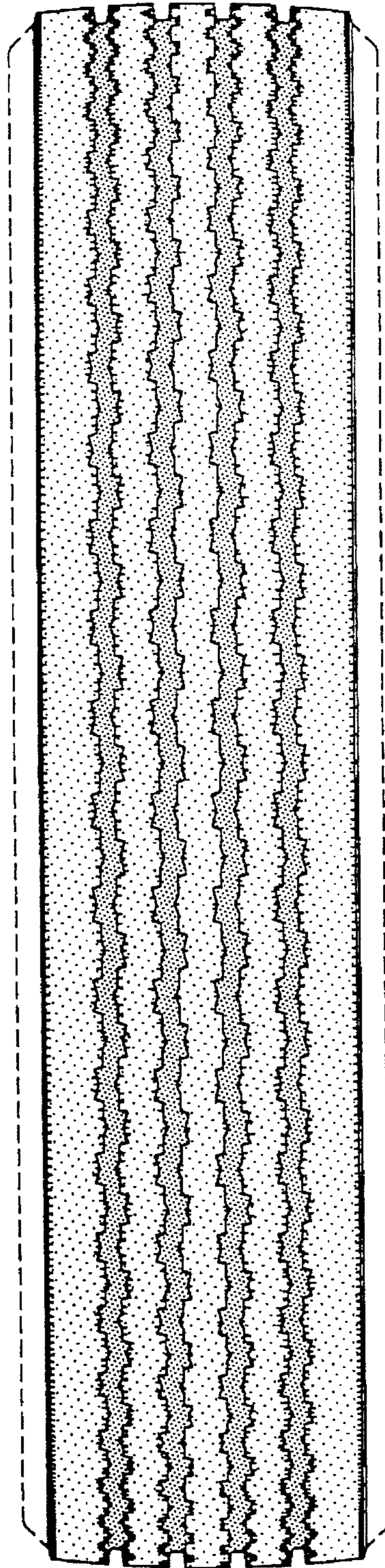


FIG-2

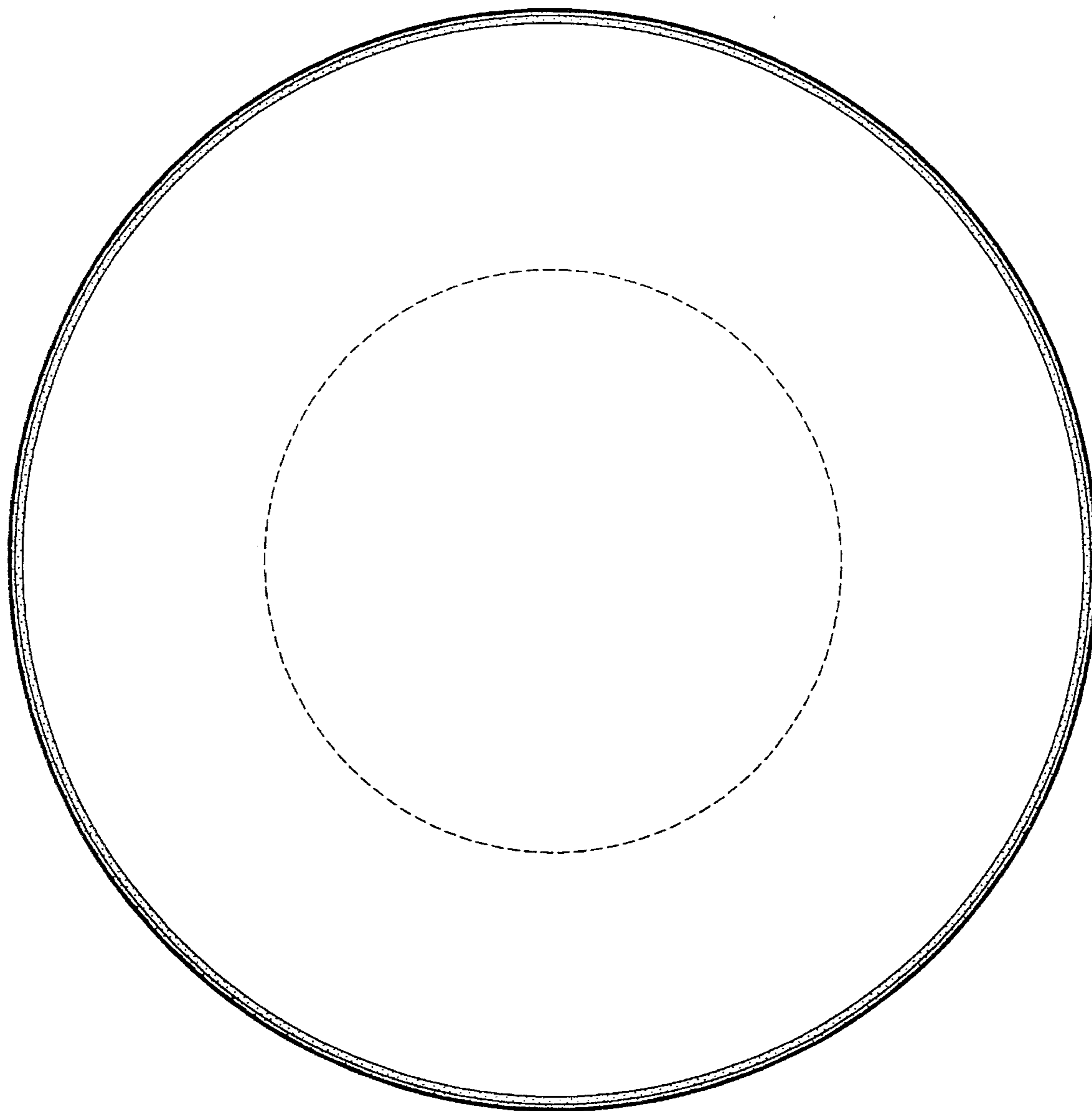


FIG-3

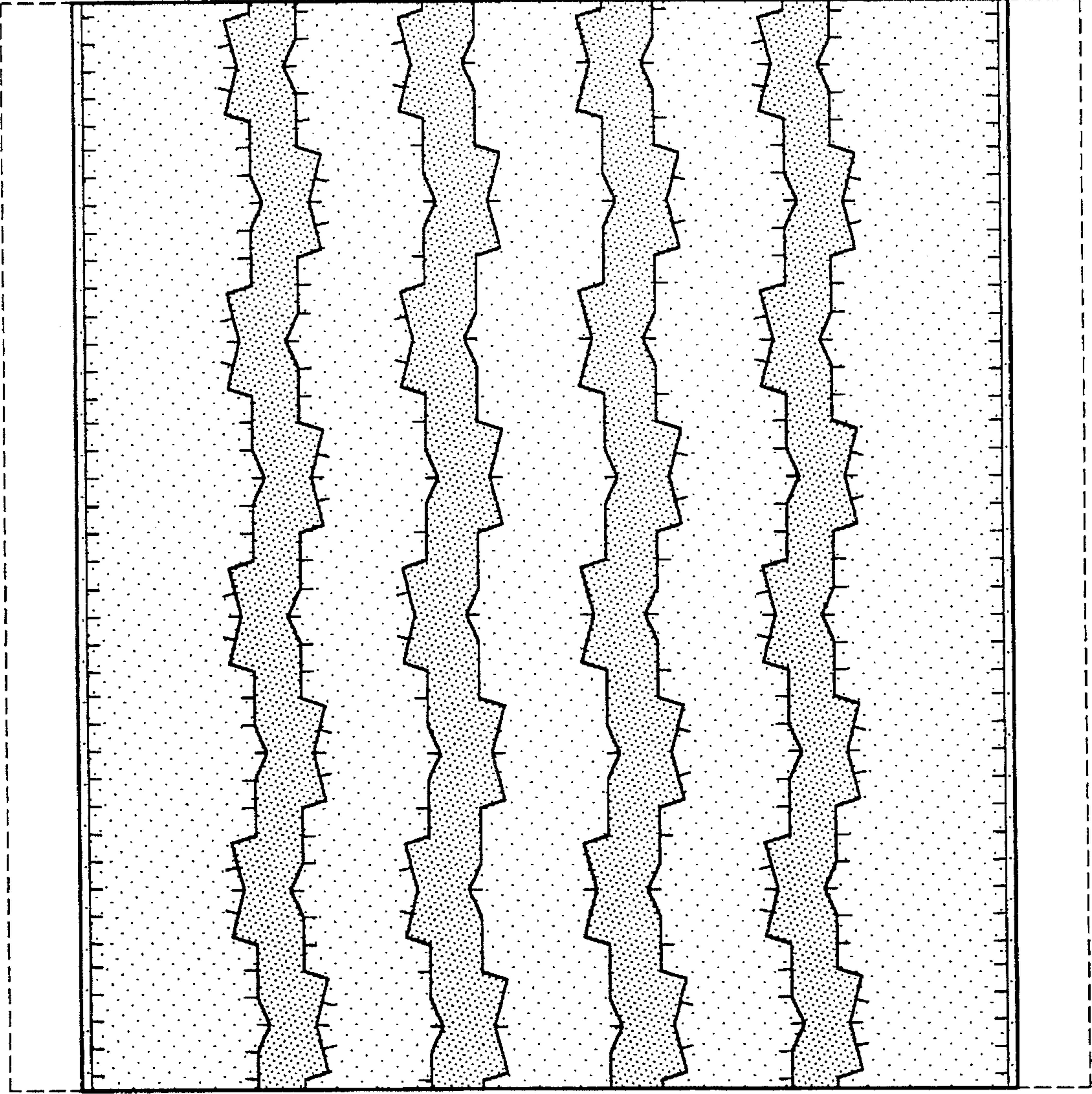


FIG-4

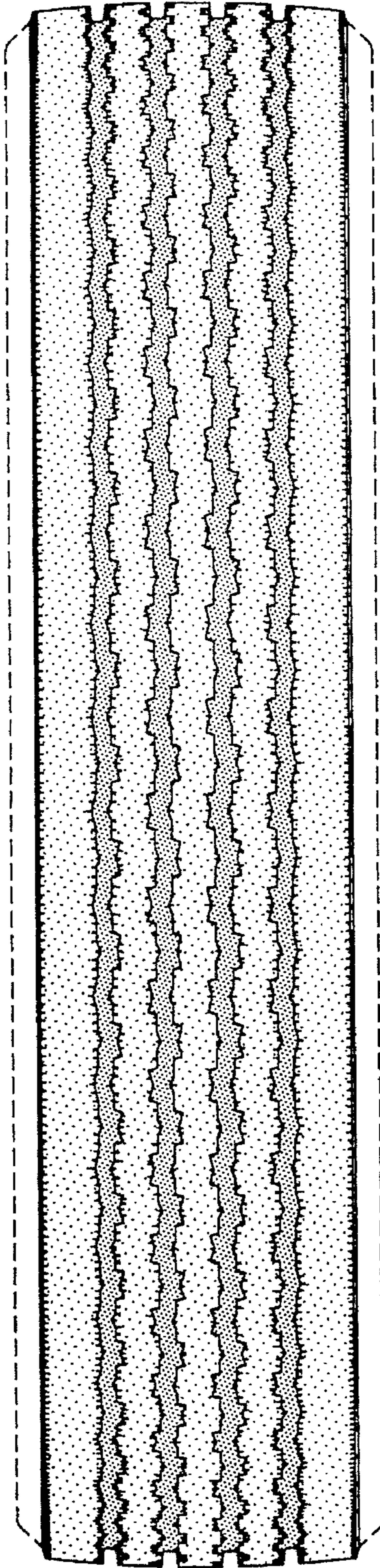


FIG-5

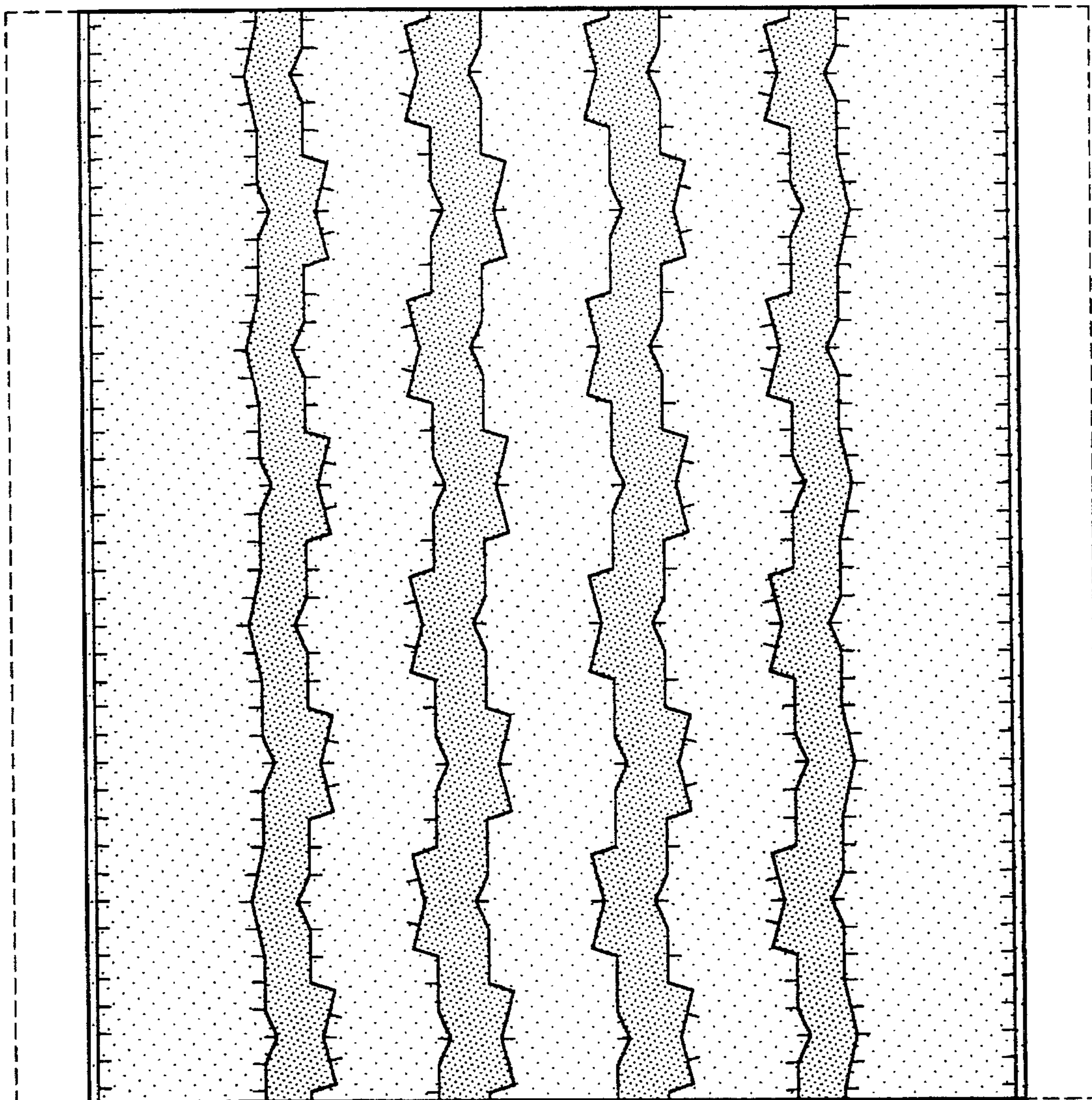


FIG-6