



US00D367433S

United States Patent [19]
Helwig

[11] **Patent Number: Des. 367,433**
[45] **Date of Patent: **Feb. 27, 1996**

[54] **PEAK FLOW METER**
[75] Inventor: **Larry L. Helwig**, Phoenix, Ariz.
[73] Assignee: **Multispiro, Inc.**, Tempe, Ariz.
[**] Term: **14 Years**
[21] Appl. No.: **36,942**
[22] Filed: **Mar. 31, 1995**
[52] U.S. Cl. **D10/96; D10/78; D24/166**
[58] Field of Search **D10/96, 78; D24/164, D24/166; 73/239, 861.74, 861.75, 861.76, 861.79; 128/202, 716, 725, 726, 727; 482/13**

3,940,984 3/1976 Oram 73/189
3,958,565 5/1976 Wright 128/2.08
4,019,382 4/1977 El-Gammal 73/194 R
4,210,155 7/1980 Grimes 128/727
4,287,775 9/1981 Hutton 73/861.79
4,292,853 10/1981 Williams et al. 73/861.79
4,294,262 10/1981 Williams et al. 128/726
4,420,229 12/1983 Lewis 351/224
4,638,812 1/1987 Häkinen 128/726
5,012,812 5/1991 Stockwell 128/652
5,253,651 10/1993 Stockwell et al. 128/725 X

Primary Examiner—Antoine Duval Davis
Attorney, Agent, or Firm—Stetina Brunda & Buyan

[56] **References Cited**

U.S. PATENT DOCUMENTS

D. 24,070 2/1895 La Roche D10/98 X
D. 51,285 9/1917 Mapel D10/98 X
D. 53,023 2/1919 Roesch D24/166
D. 263,166 2/1982 Bushman D24/17
D. 332,229 1/1993 Brown D10/96
3,862,628 1/1975 Williams 128/2.08
3,880,591 4/1975 Burroughs D24/164 X

[57] **CLAIM**

The ornamental design for a peak flow meter, as shown and described.

DESCRIPTION

FIG. 1 is a front right side perspective view of the peak flow meter of the present invention showing my new design; and, FIG. 2 is a rear left side perspective view thereof.

1 Claim, 1 Drawing Sheet

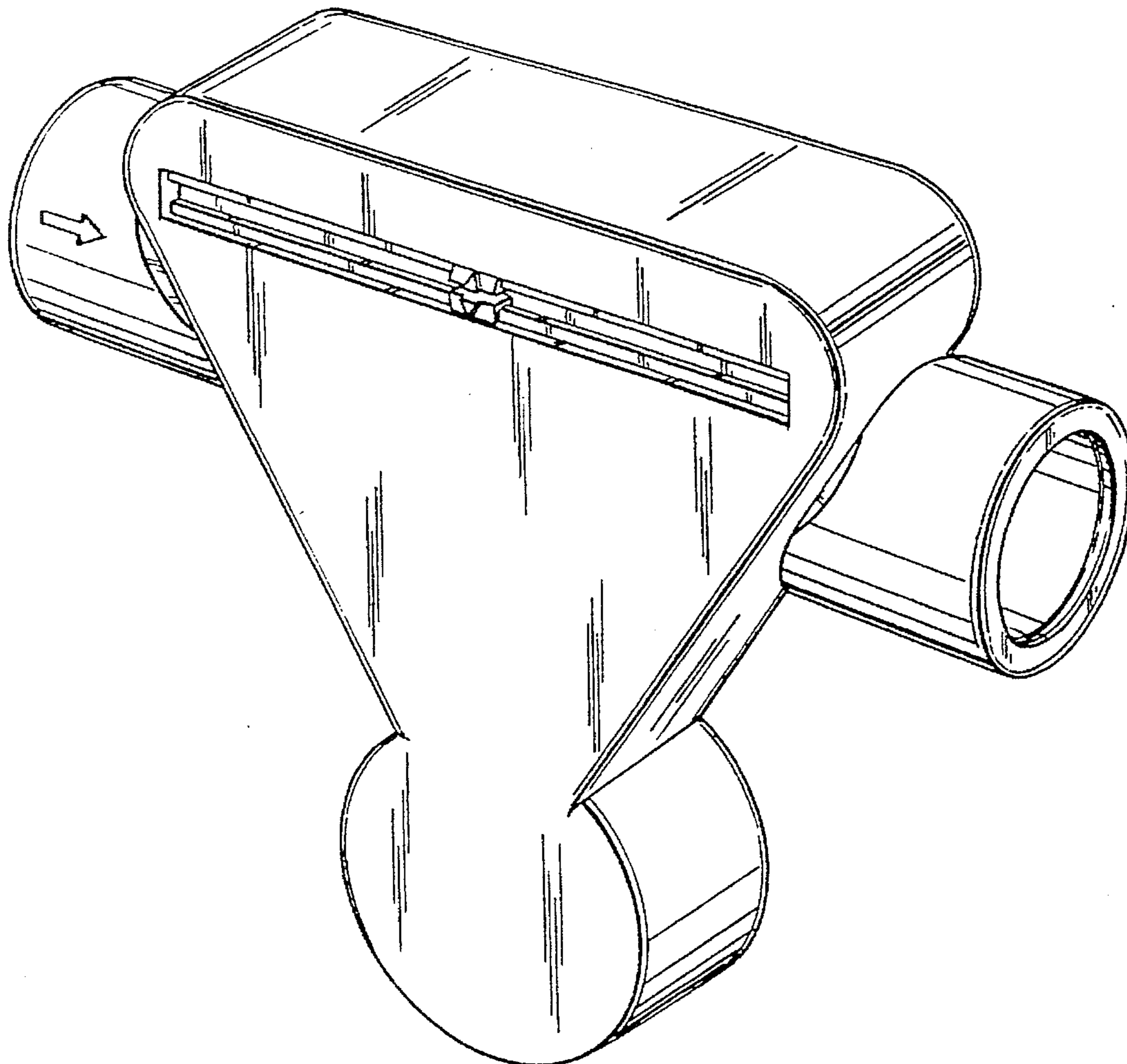


Fig. 1

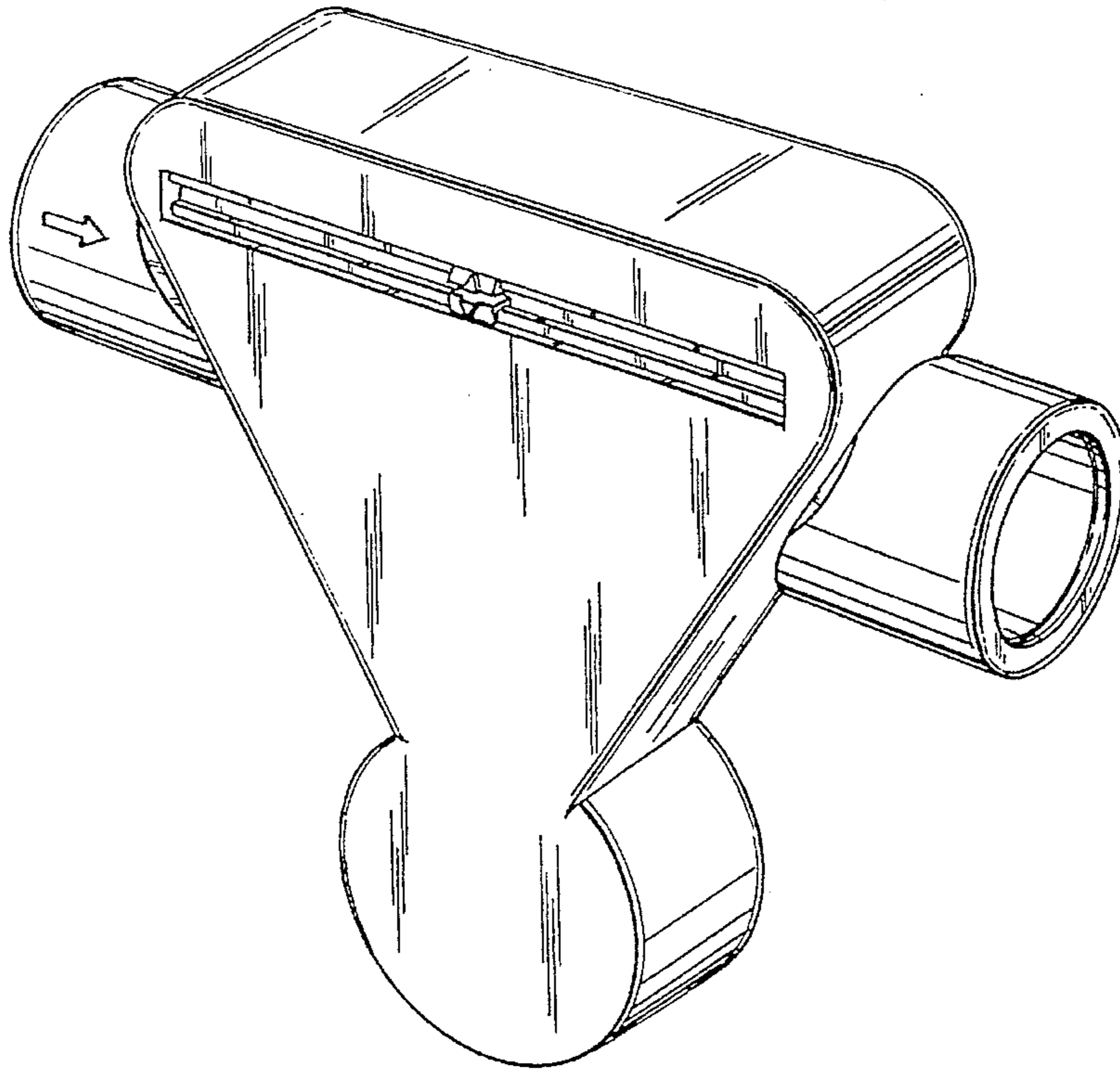


Fig. 2

