



US00D367431S

United States Patent [19]

Omuro et al.

[11] Patent Number: **Des. 367,431**

[45] Date of Patent: ****Feb. 27, 1996**

[54] **VOLTMETER**

D. 289,617 5/1987 Yajima D10/78
D. 345,312 3/1994 Nix D10/78

[75] Inventors: **Makoto Omuro; Manabu Kamiya,**
both of Suwa, Japan

OTHER PUBLICATIONS

Cole-Palmer; Probe-type digital multimeter; ©1989; p. 248.

[73] Assignee: **Seiko Epson Corporation,** Tokyo, Japan

Primary Examiner—Antoine Duval Davis
Attorney, Agent, or Firm—Oliff & Berridge

[**] Term: **14 Years**

[57] CLAIM

[21] Appl. No.: **37,527**

The ornamental design for a voltmeter, as shown and described.

[22] Filed: **Apr. 17, 1995**

[30] Foreign Application Priority Data

DESCRIPTION

Oct. 31, 1994 [JP] Japan 6-33192

[52] U.S. Cl. **D10/78**

[58] Field of Search D10/78; 324/114,
324/115, 151, 158.1

FIG. 1 is a front perspective view of a voltmeter showing our new design;

FIG. 2 is a front view thereof;

FIG. 3 is a top plan view thereof;

FIG. 4 is a left side view thereof;

FIG. 5 is a right side view thereof;

FIG. 6 is a rear view thereof; and,

FIG. 7 is a bottom view thereof.

[56] References Cited

U.S. PATENT DOCUMENTS

D. 251,184 2/1979 Volk D10/78
D. 288,179 2/1987 Sekido D10/78

1 Claim, 2 Drawing Sheets

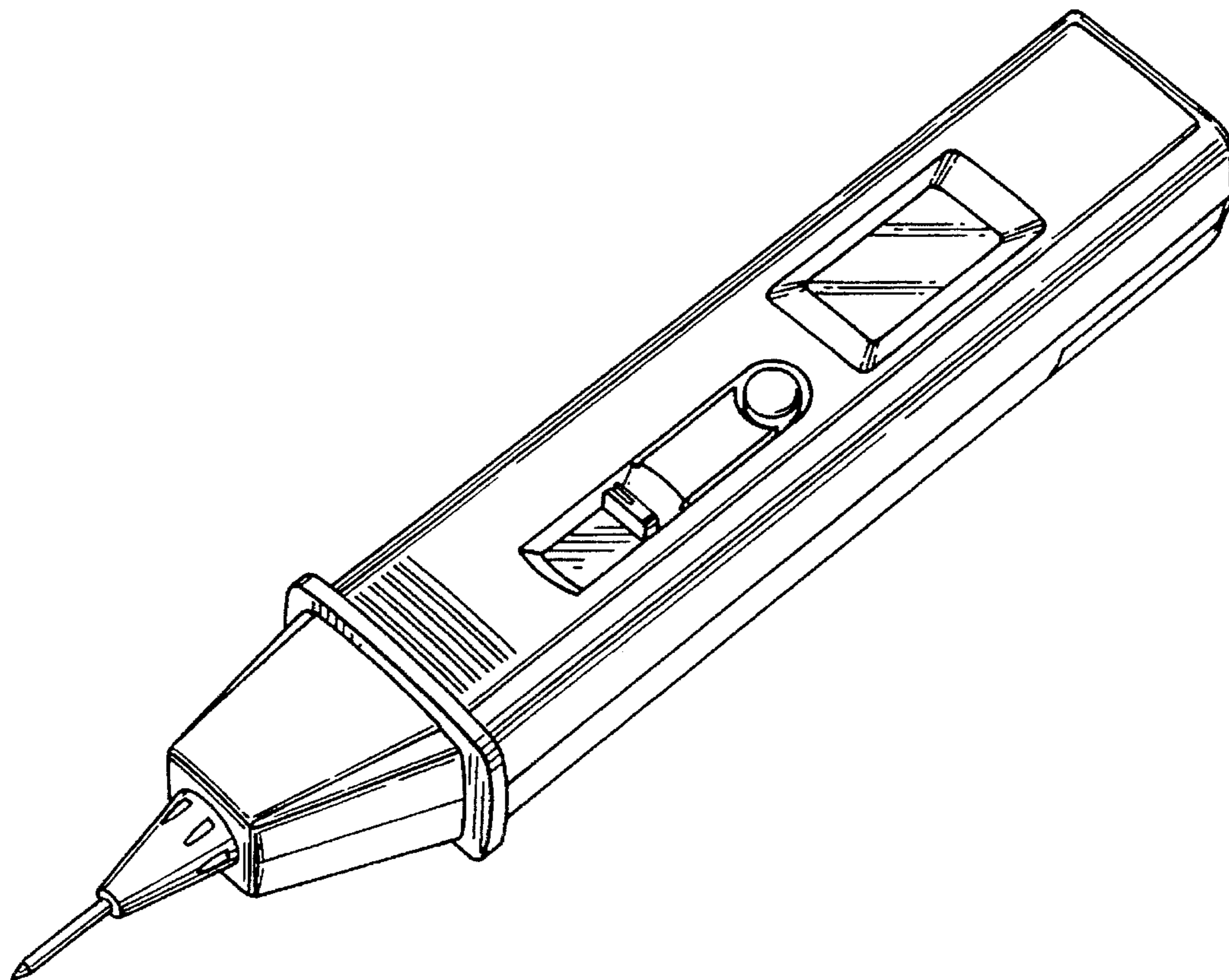


FIG. 1

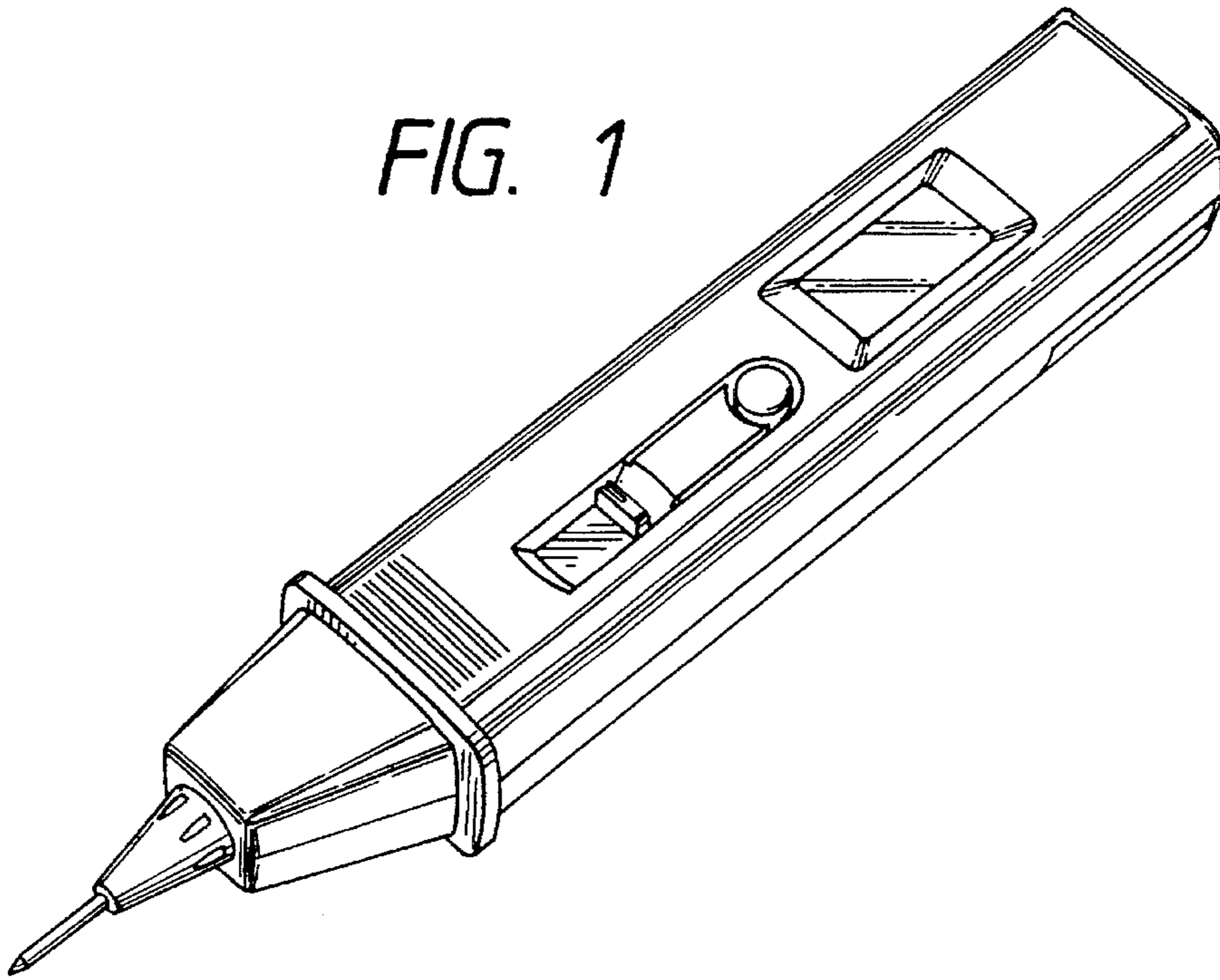


FIG. 2

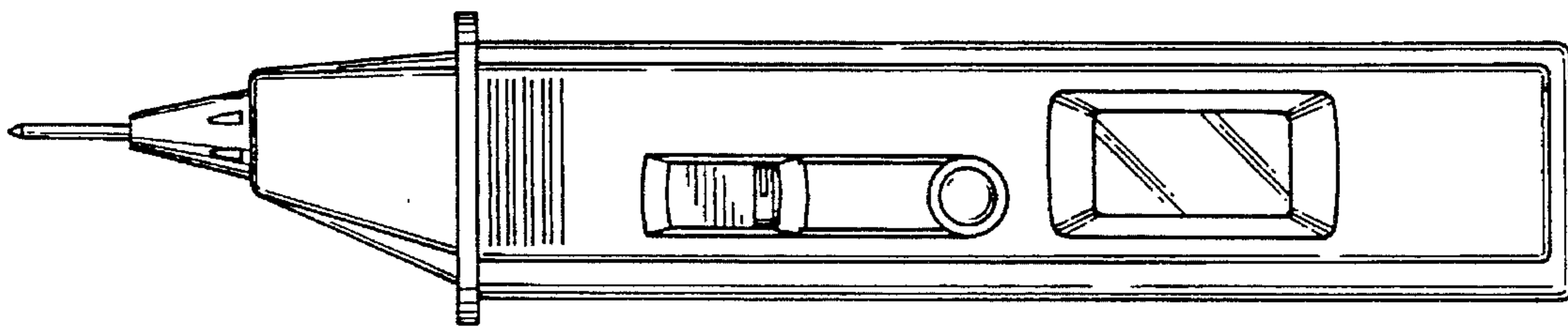


FIG. 3

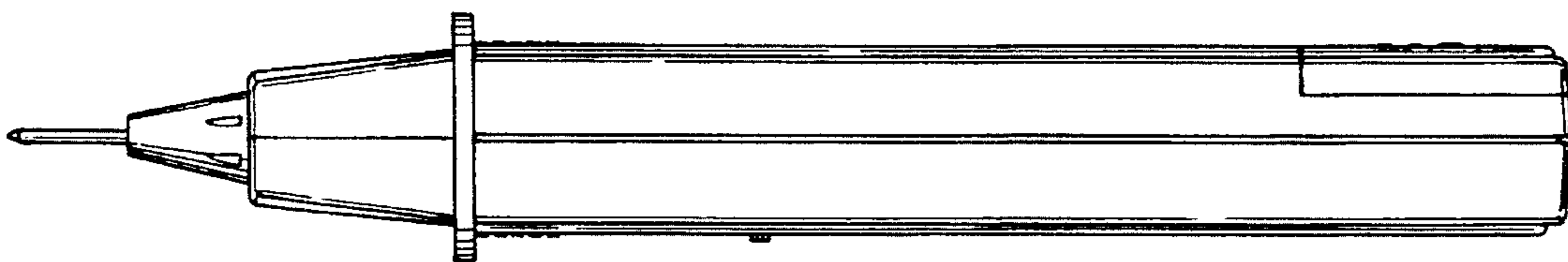


FIG. 4

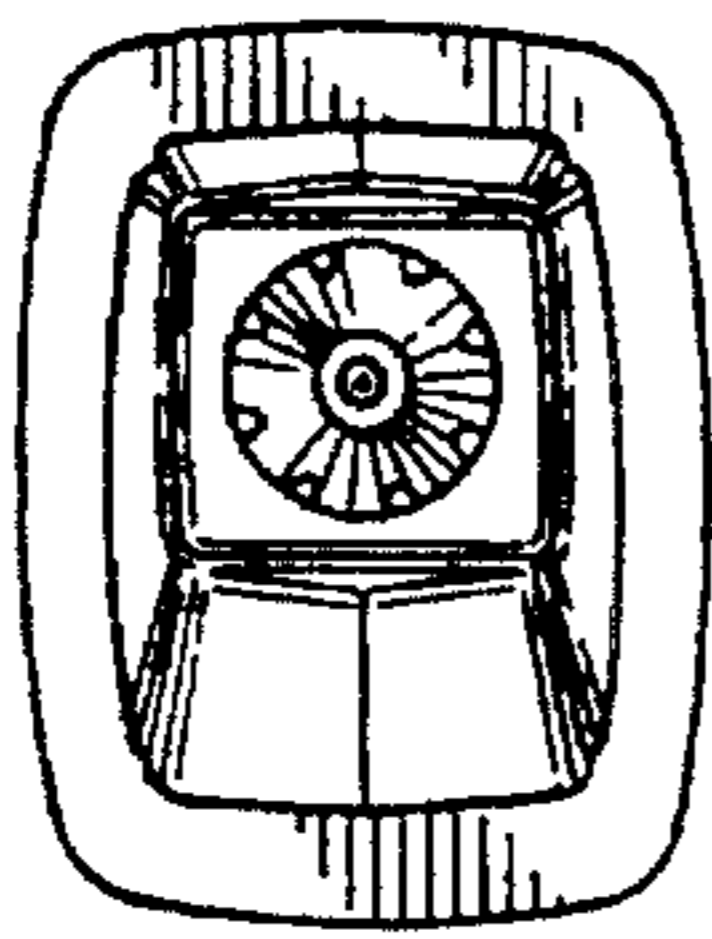


FIG. 5

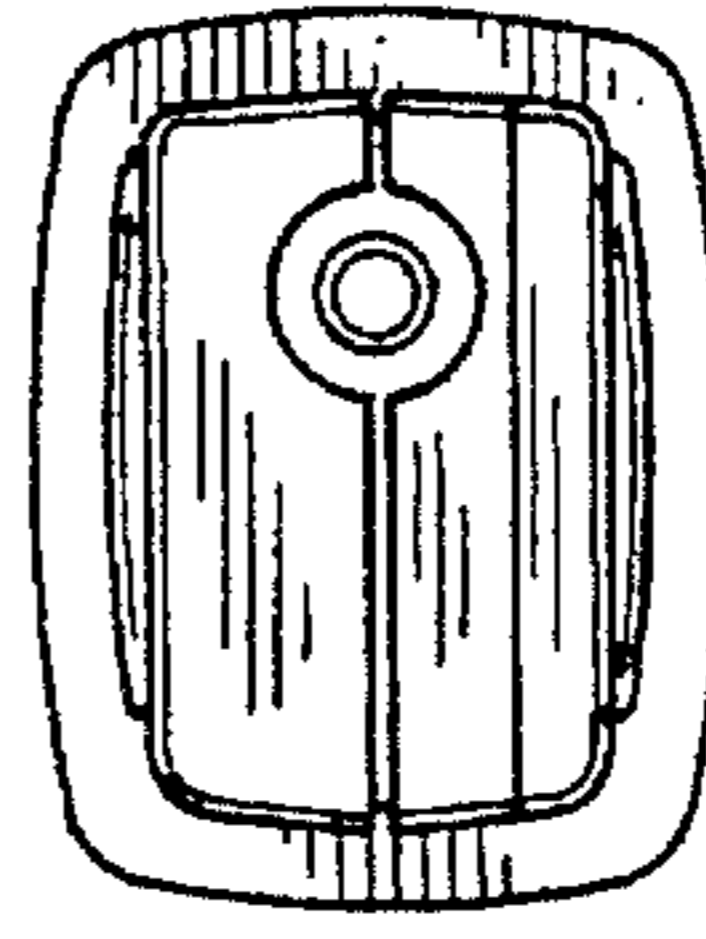


FIG. 6

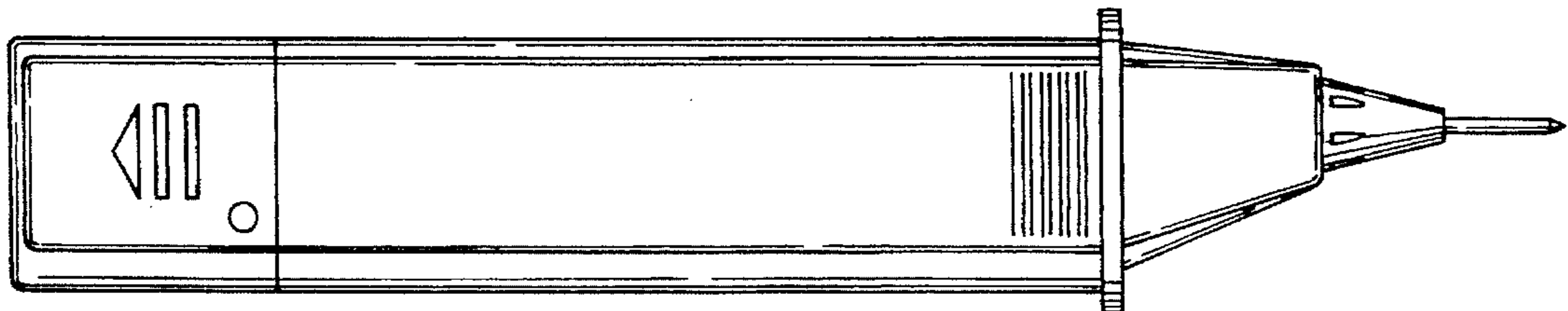


FIG. 7

