



US00D367430S

United States Patent [19]

Greenberg et al.

[11] Patent Number: **Des. 367,430**

[45] Date of Patent: ****Feb. 27, 1996**

[54] **CONTROLLER ENCLOSURE**

[75] Inventors: **Andrew D. Greenberg; Keith E. Camhi**, both of Stamford, Conn.; **Anthony B. Cooper**, Palo Alto; **Dennis M. Schuler**, San Francisco, both of Calif.

[73] Assignee: **Integrated Fitness Corporation**, Stamford, Conn.

[**] Term: **14 Years**

[21] Appl. No.: **39,159**

[22] Filed: **May 22, 1995**

[52] U.S. Cl. **D10/49; D13/162; D21/191**

[58] Field of Search **D10/49; D13/162, D13/184; D21/191, 192, 194, 195; 340/762, 765, 782, 784; 73/379.01, 379.06, 379.07; 364/413.04; 482/4, 5**

[56] **References Cited**

U.S. PATENT DOCUMENTS

D. 331,435 12/1992 Ueda D21/191
5,403,252 4/1995 Leon et al. 482/5

Primary Examiner—Antoine Duval Davis
Attorney, Agent, or Firm—Cummings & Lockwood

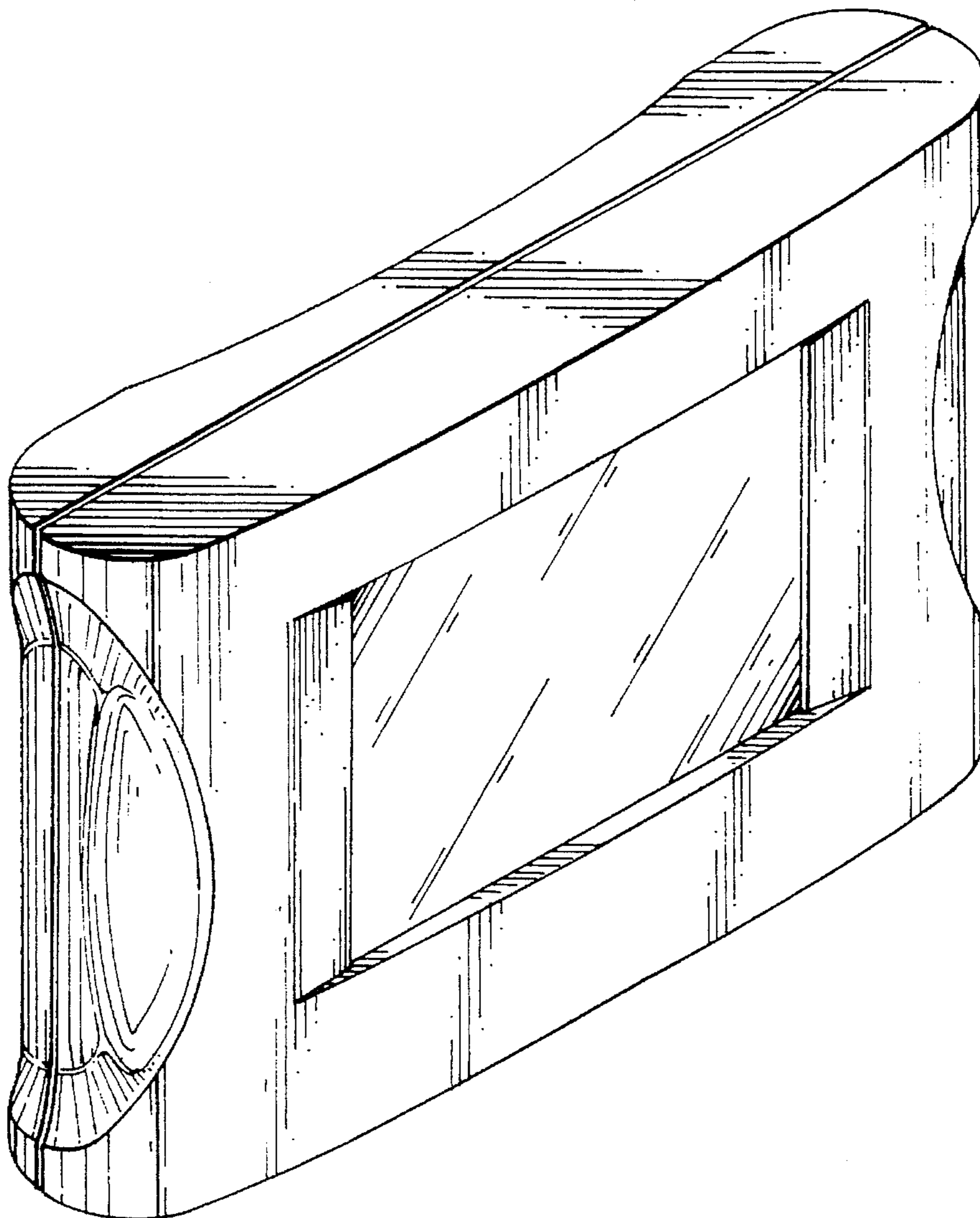
[57] **CLAIM**

The ornamental design for a controller enclosure, as shown.

DESCRIPTION

FIG. 1 is a perspective view of an embodiment of a controller enclosure according to the present invention; FIG. 2 is a front view of the embodiment; FIG. 3 is a bottom view of the embodiment; FIG. 4 is a top view of the embodiment; FIG. 5 is a side view of the embodiment; and, FIG. 6 is a rear view of the embodiment.

1 Claim, 3 Drawing Sheets



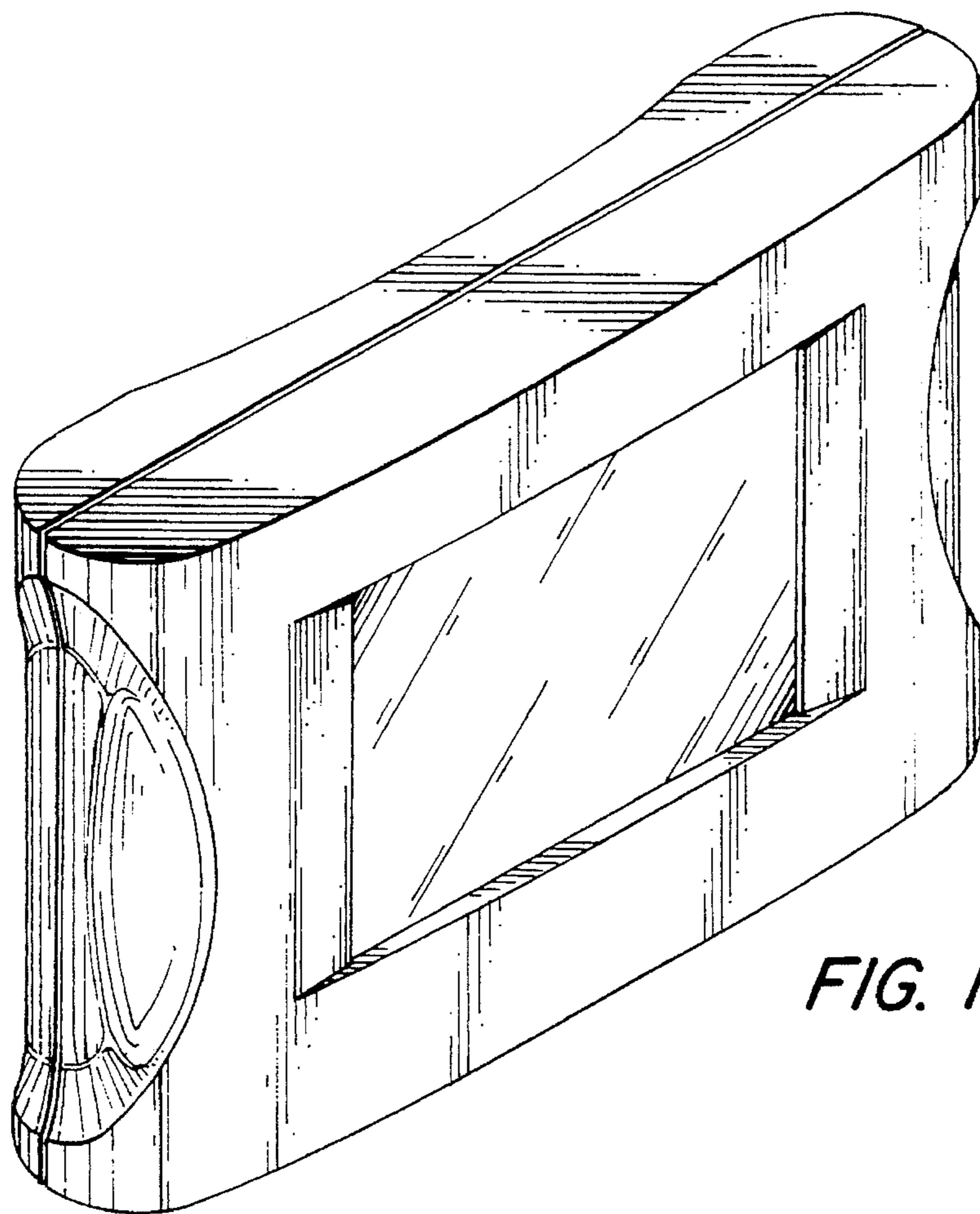


FIG. 1

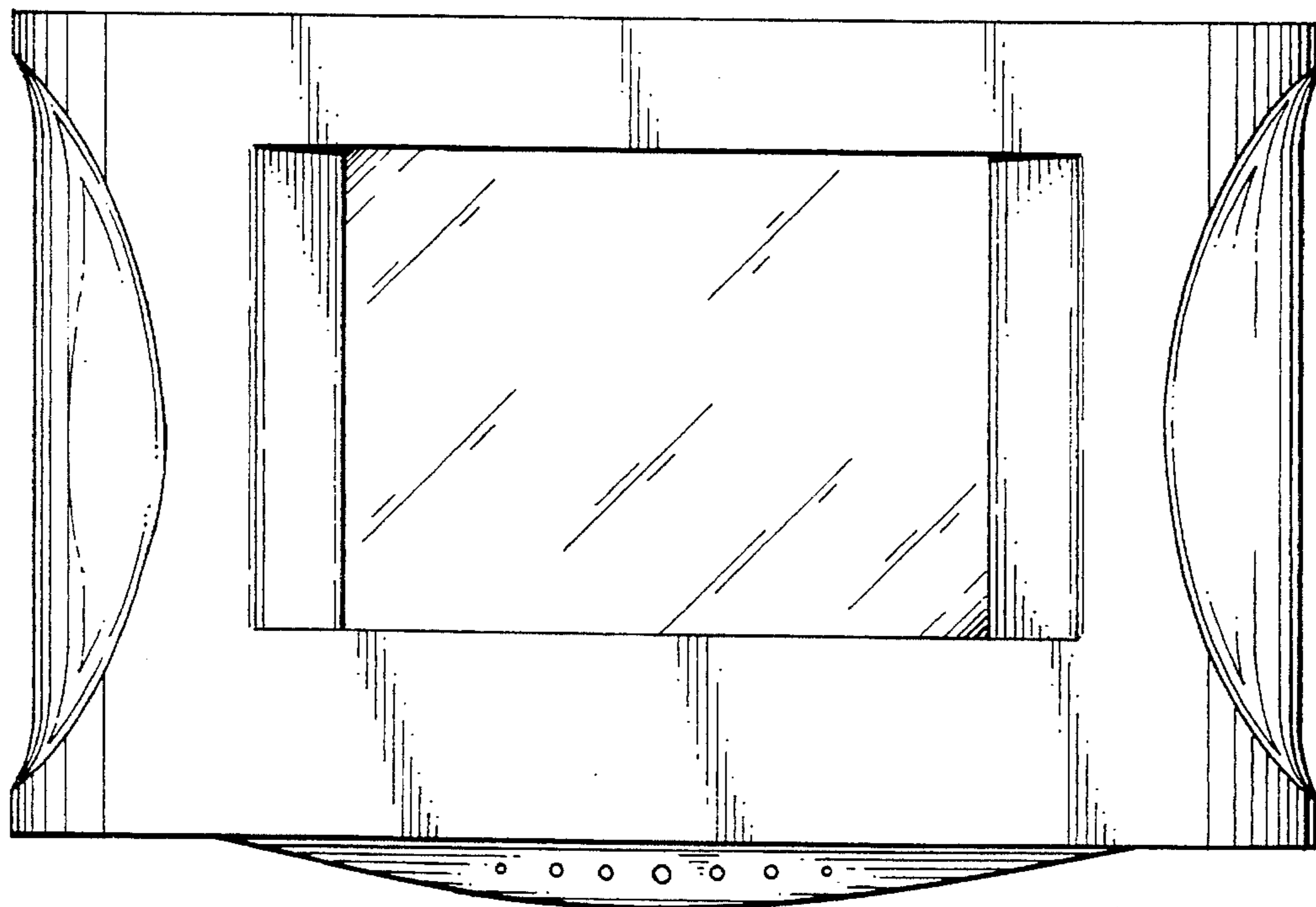


FIG. 2

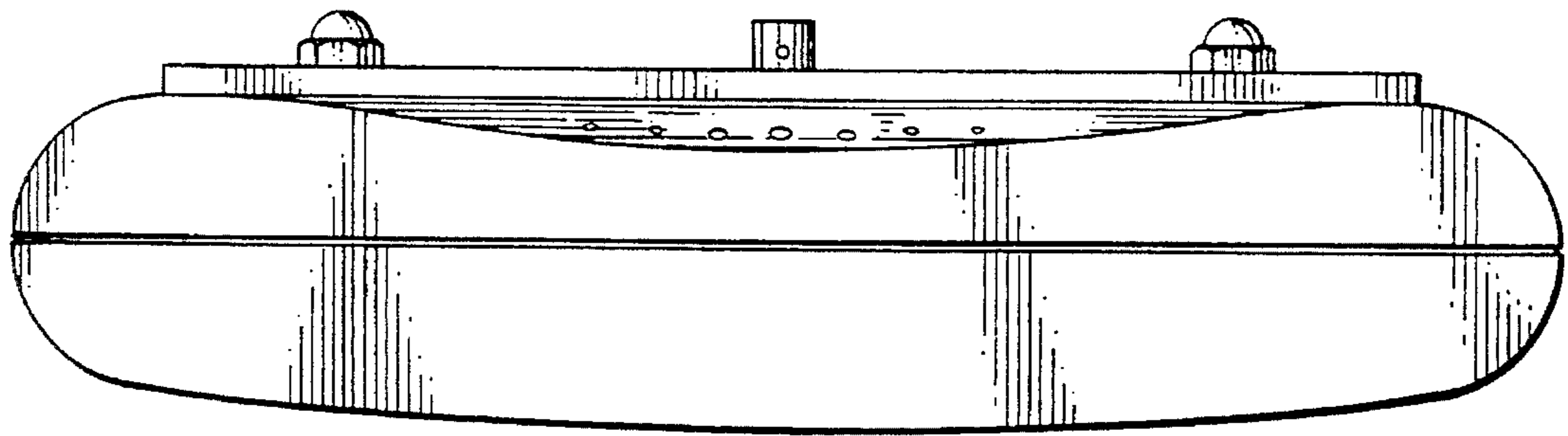


FIG. 3

FIG. 4

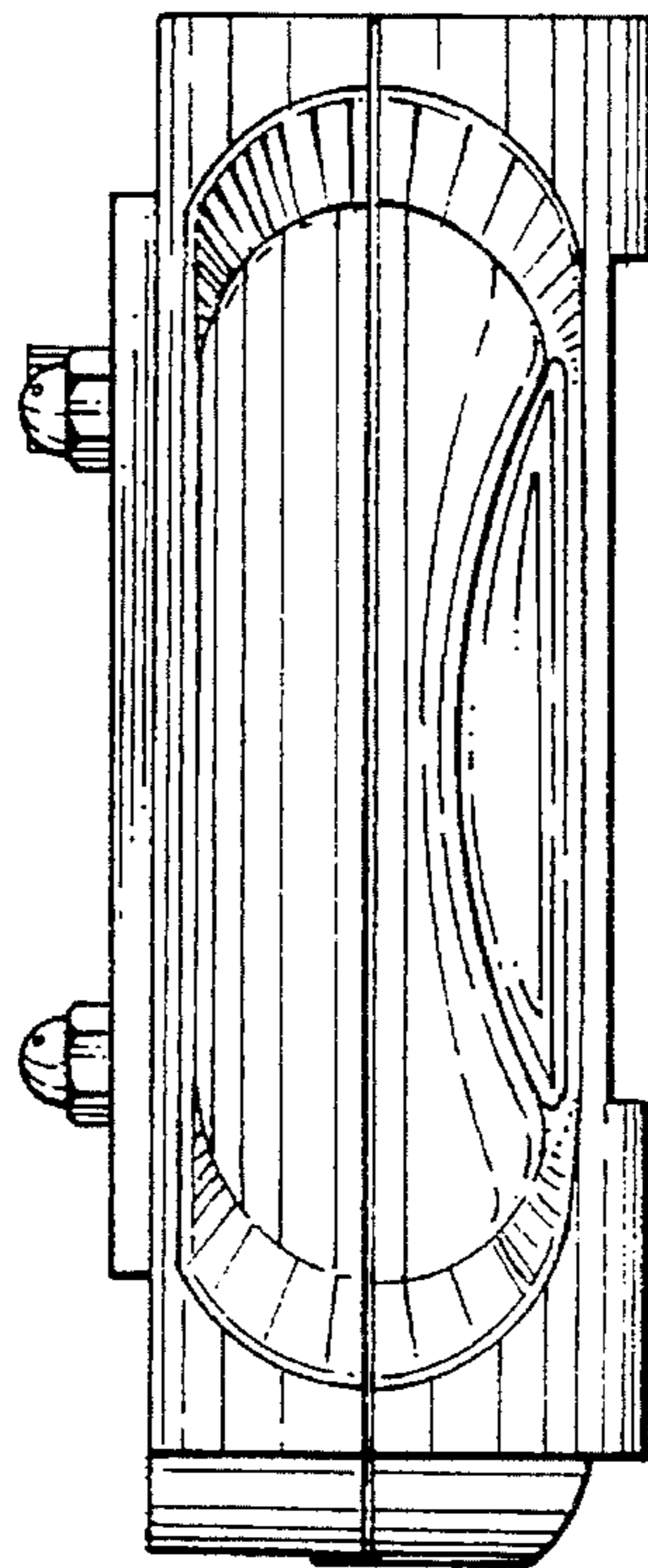
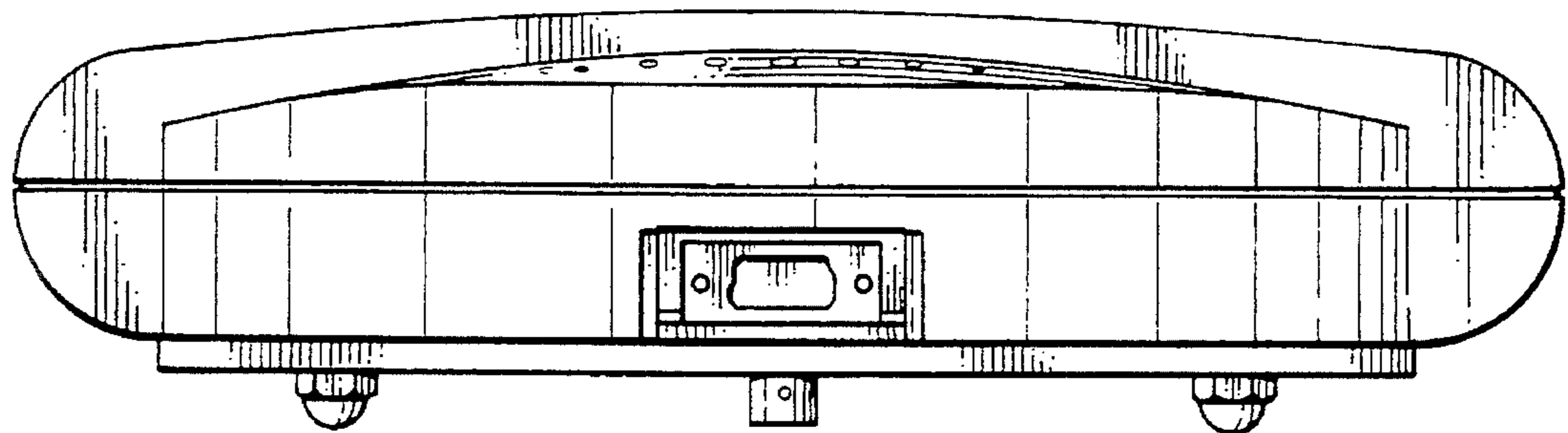


FIG. 5

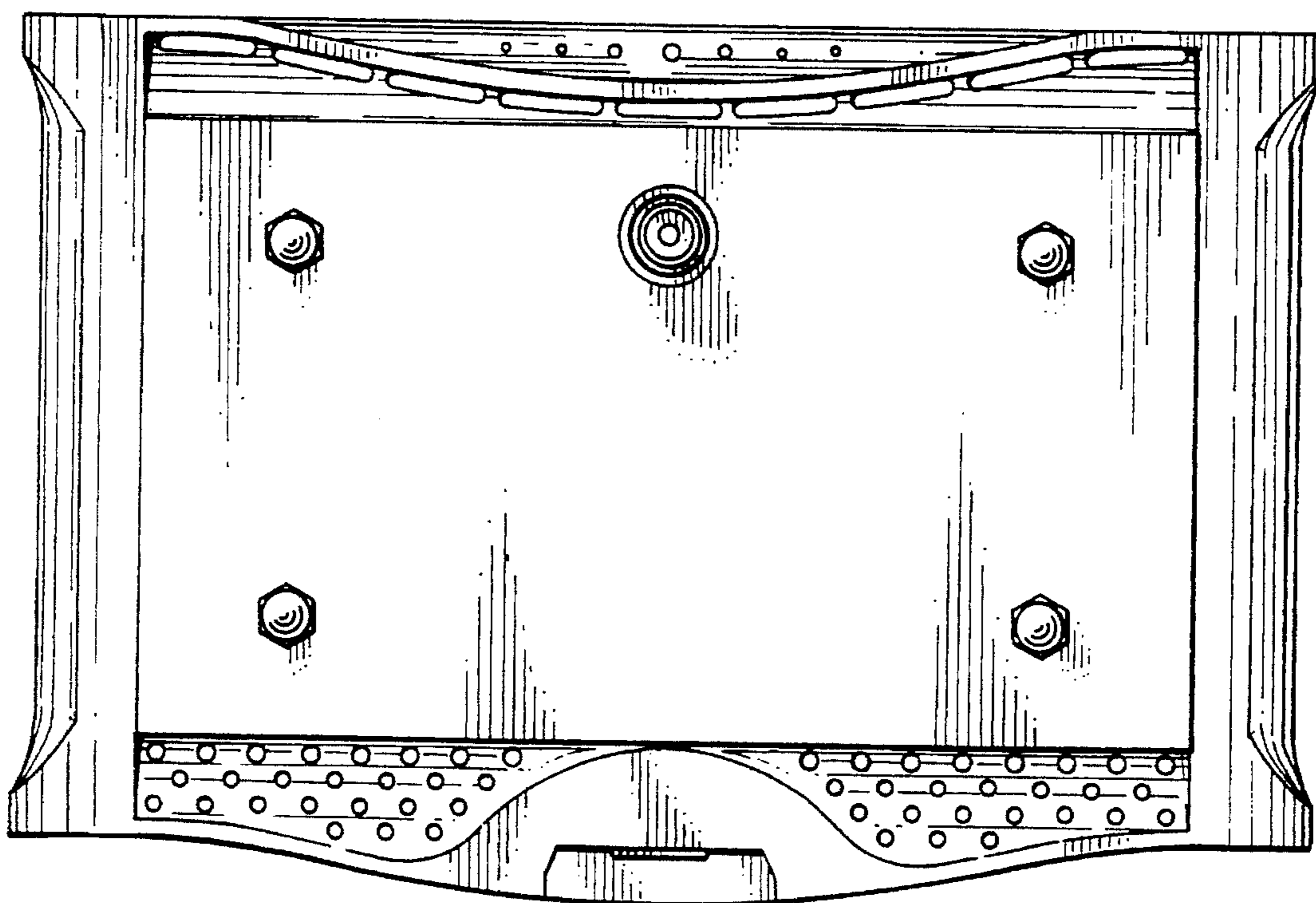


FIG. 6