



US00D367427S

United States Patent [19]

Kogler

[11] **Patent Number: Des. 367,427**

[45] **Date of Patent: **Feb. 27, 1996**

[54] **NOVELTY BAG AND CLOCK COMBINATION**

D. 308,496	6/1990	Ziegler	D10/6
D. 323,977	2/1992	Etro	D9/305
4,836,690	6/1989	Cheng	D9/305

[75] Inventor: **Natascha Kogler**, #210 - 215 Mowat Street, New Westminster, British Columbia, Canada, V3M 4B1

Primary Examiner—Nelson C. Holtje
Attorney, Agent, or Firm—Elbie R. de Kock

[73] Assignees: **Natascha Kogler**, New Westminster; **Kim Furneaux**, North Delta, both of Canada

[57] **CLAIM**

The ornamental design for a novelty bag and clock combination, as shown and described.

[**] Term: **14 Years**

DESCRIPTION

[21] Appl. No.: **13,780**

FIG. 1 is a front perspective view of the design; FIG. 2 is a top plan view thereof; FIG. 3 is a front elevational view thereof; FIG. 4 is a right elevational view thereof; FIG. 5 is a bottom plan view thereof; FIG. 6 is a rear elevational view thereof; FIG. 7 is a left elevational view thereof; and, FIG. 8 is a front perspective view of a variation of the design all other views of the second embodiment are substantially similar to the corresponding view of FIGS. 2-7.

[22] Filed: **Oct. 1, 1993**

[52] U.S. Cl. **D10/2; D10/6**

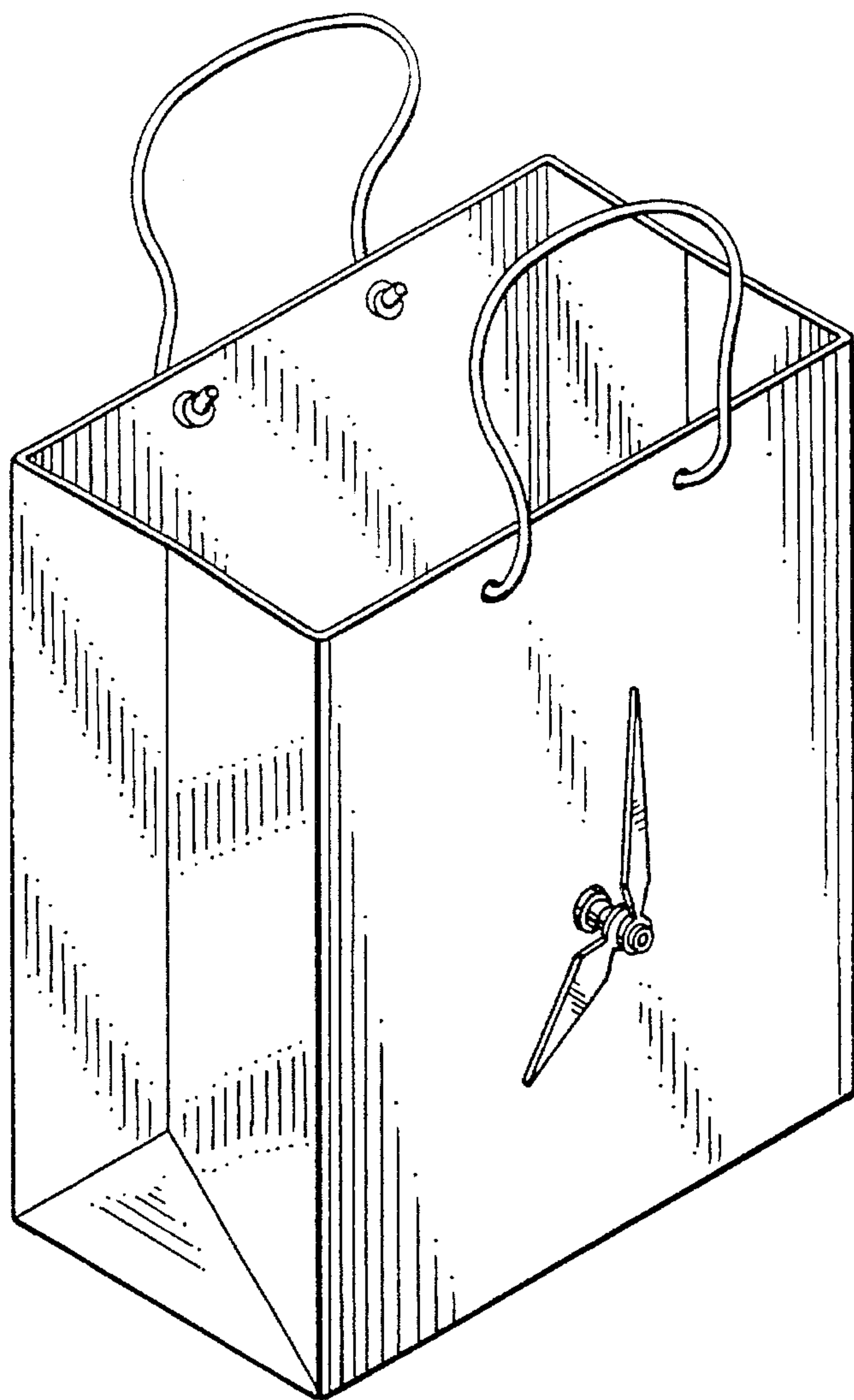
[58] Field of Search **D9/305; D10/2, D10/6; 368/10**

[56] **References Cited**

U.S. PATENT DOCUMENTS

D. 301,982 7/1989 De Angelis D10/24

1 Claim, 4 Drawing Sheets



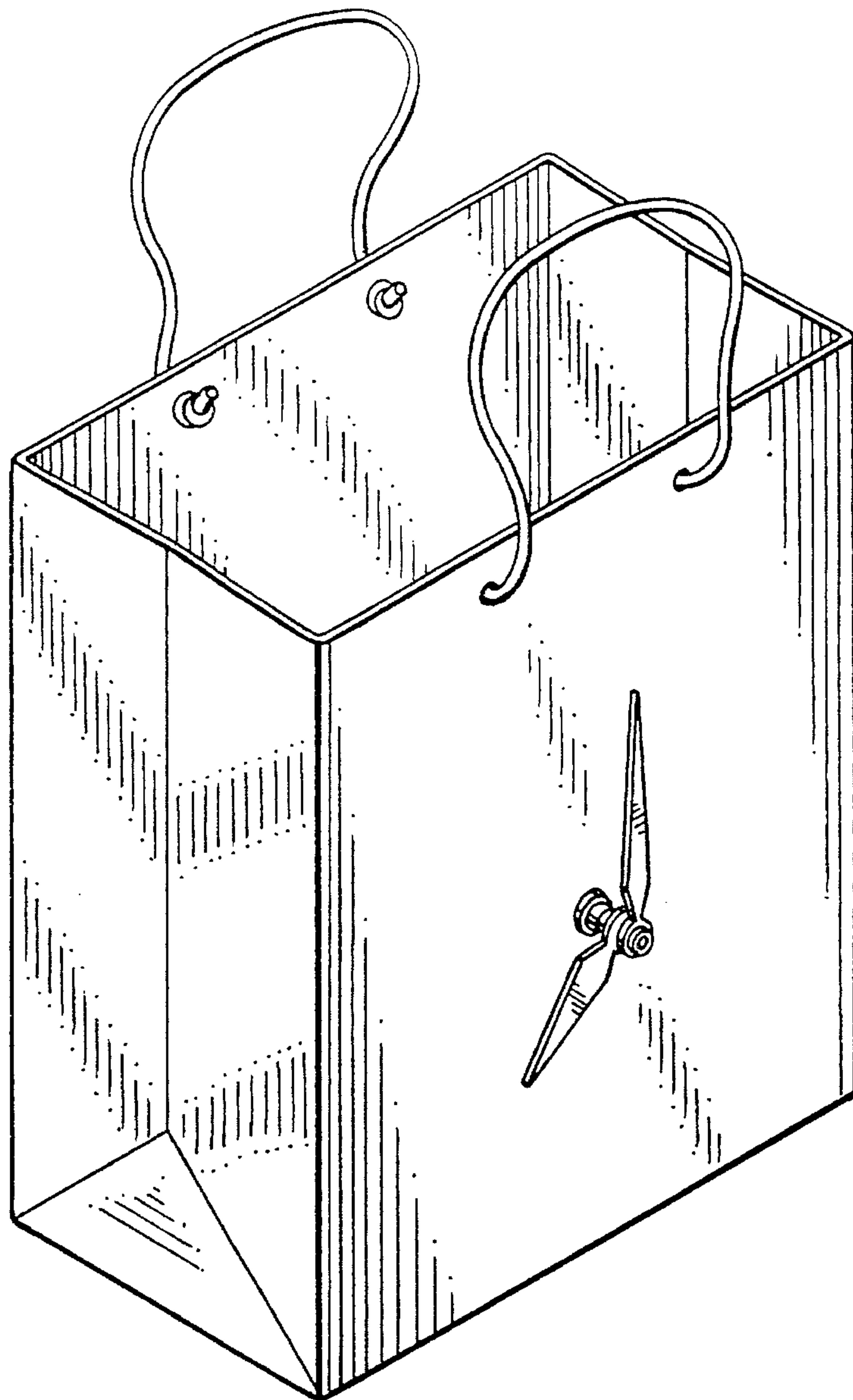


FIG. 1

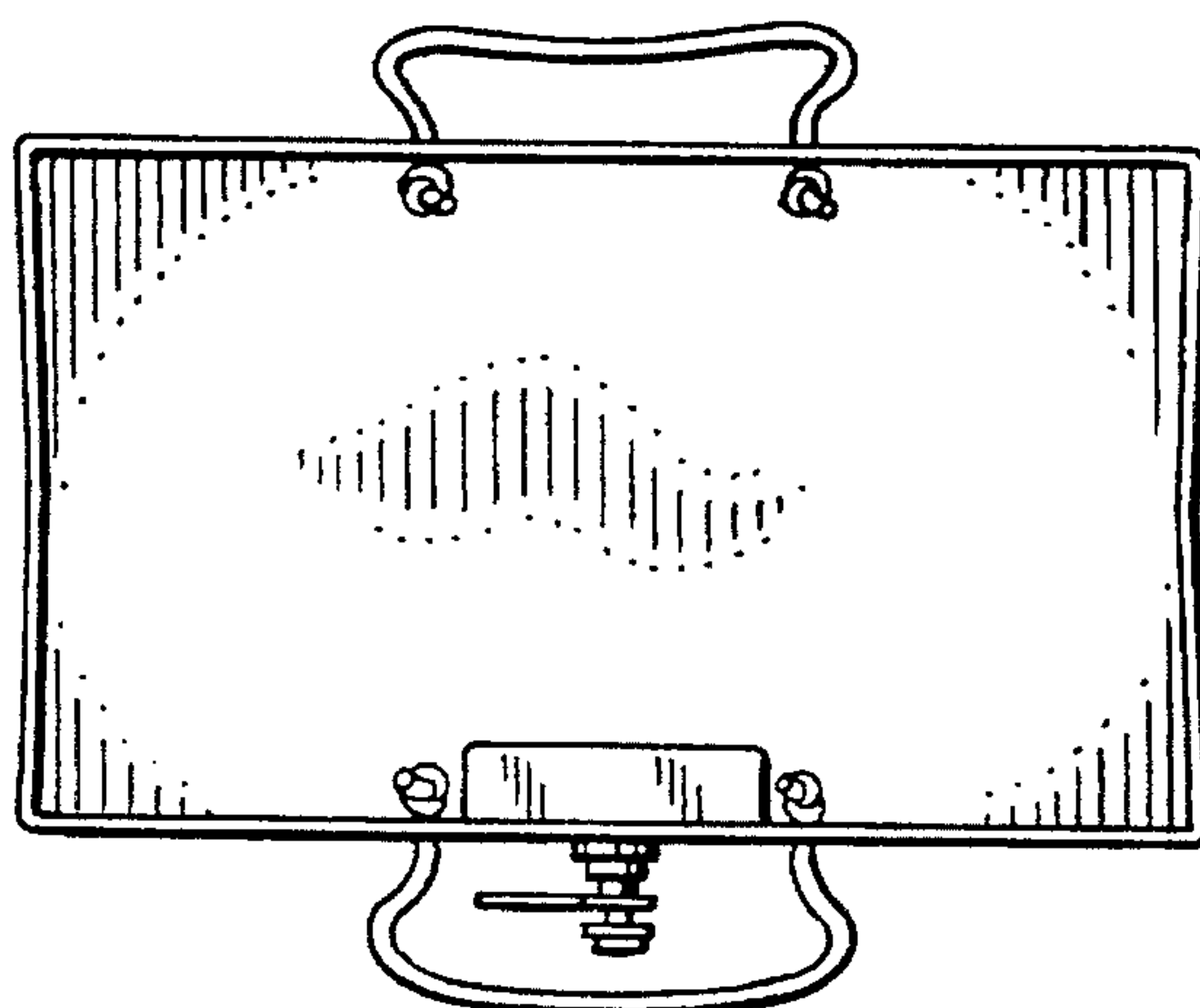


FIG. 2

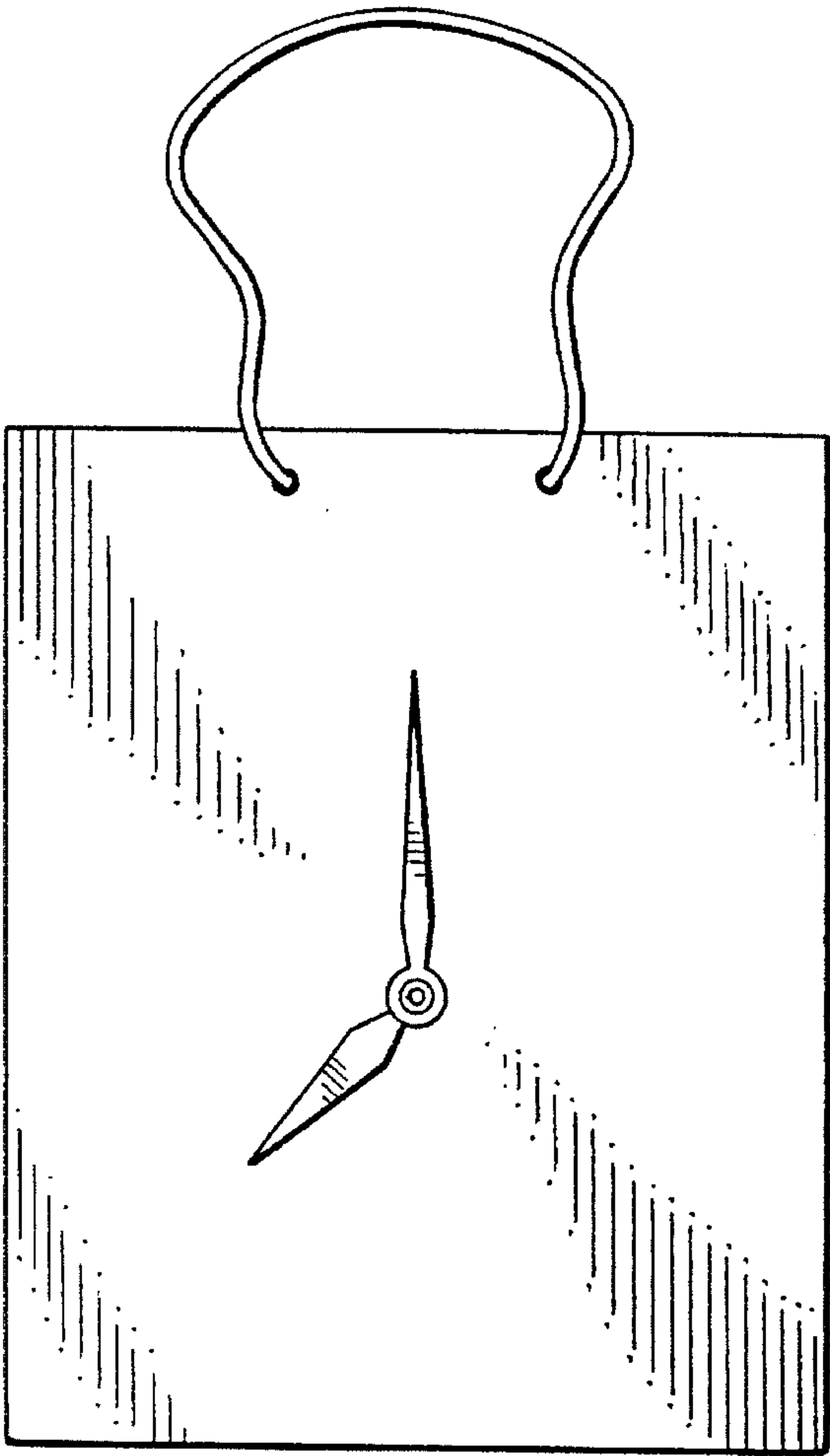


FIG. 3

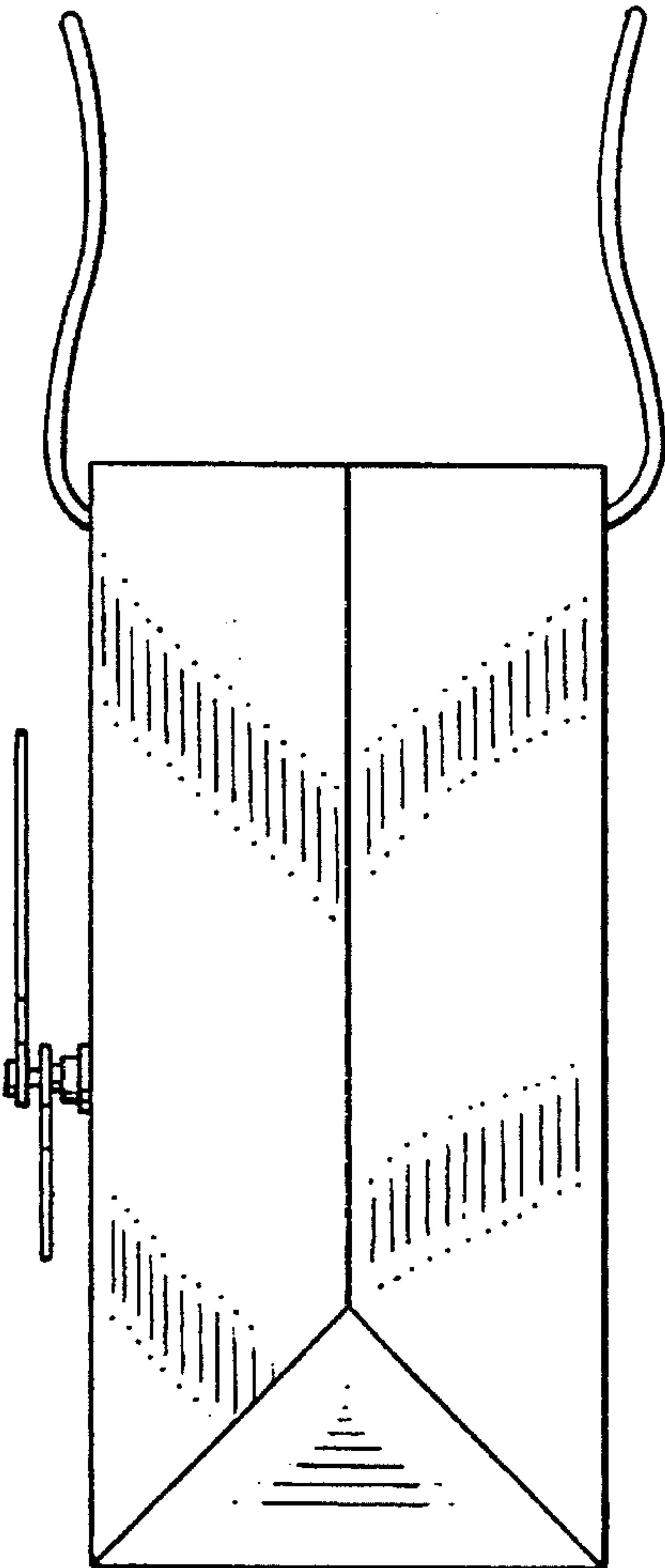


FIG. 4

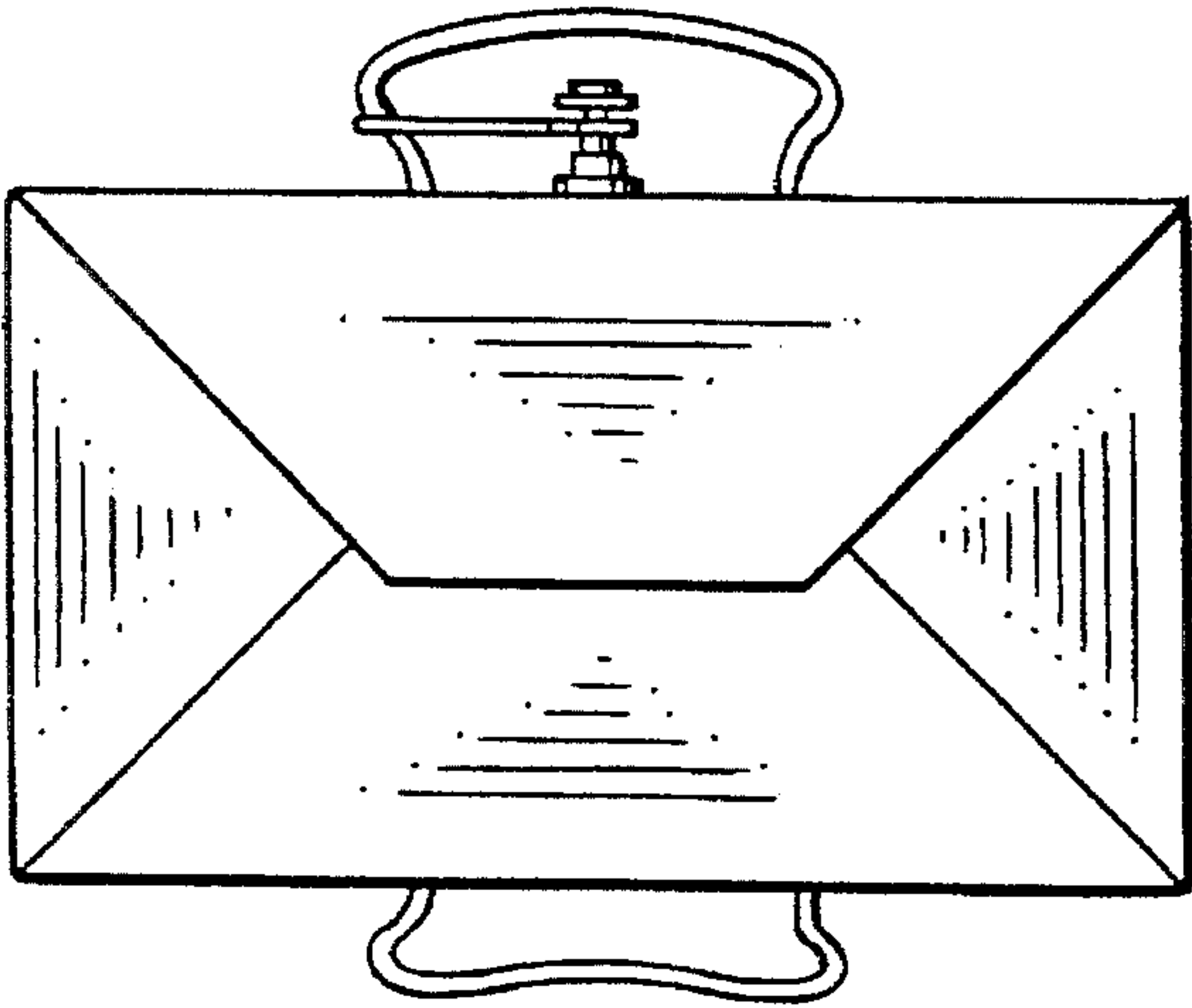


FIG. 5

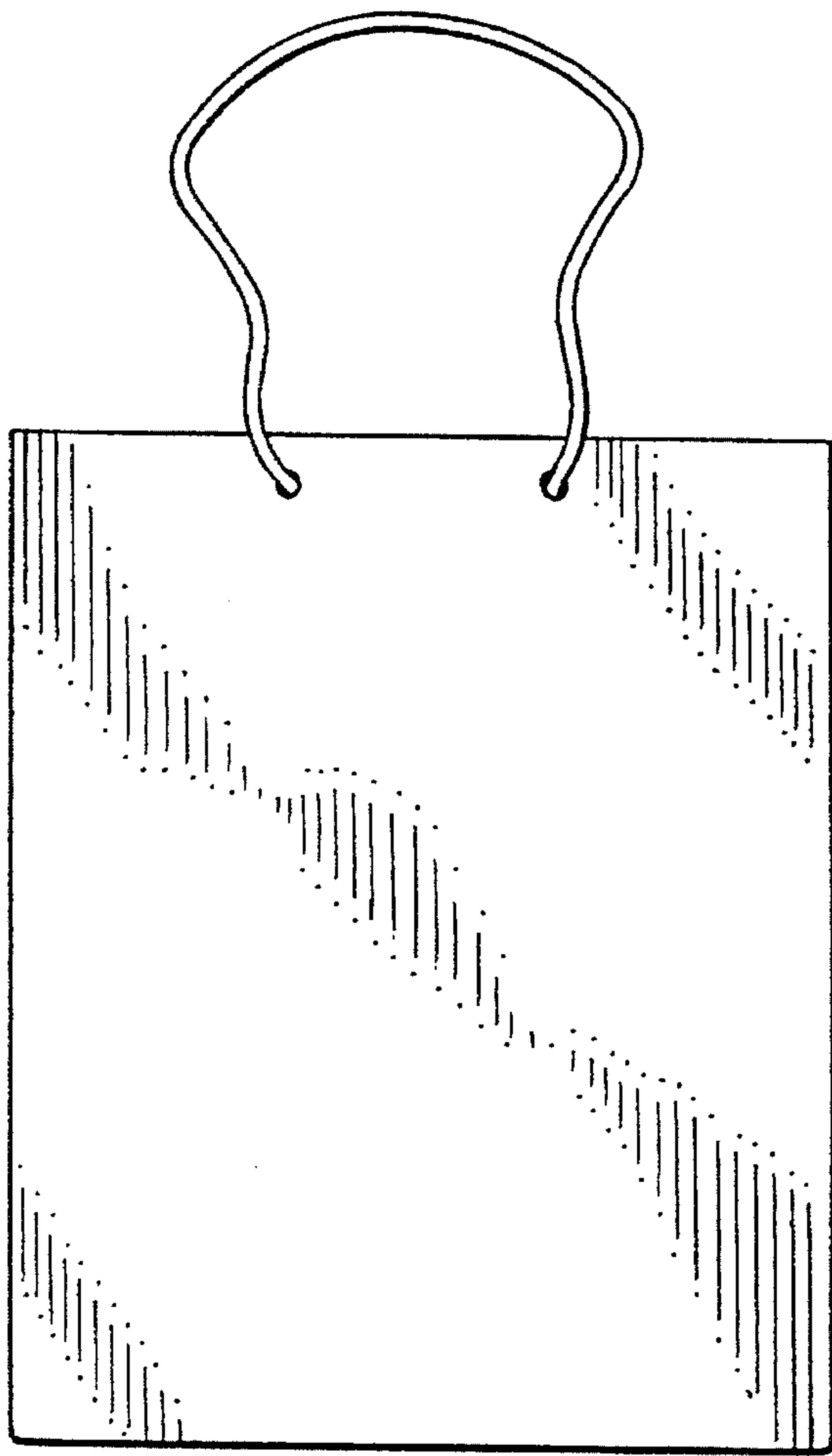


FIG. 6

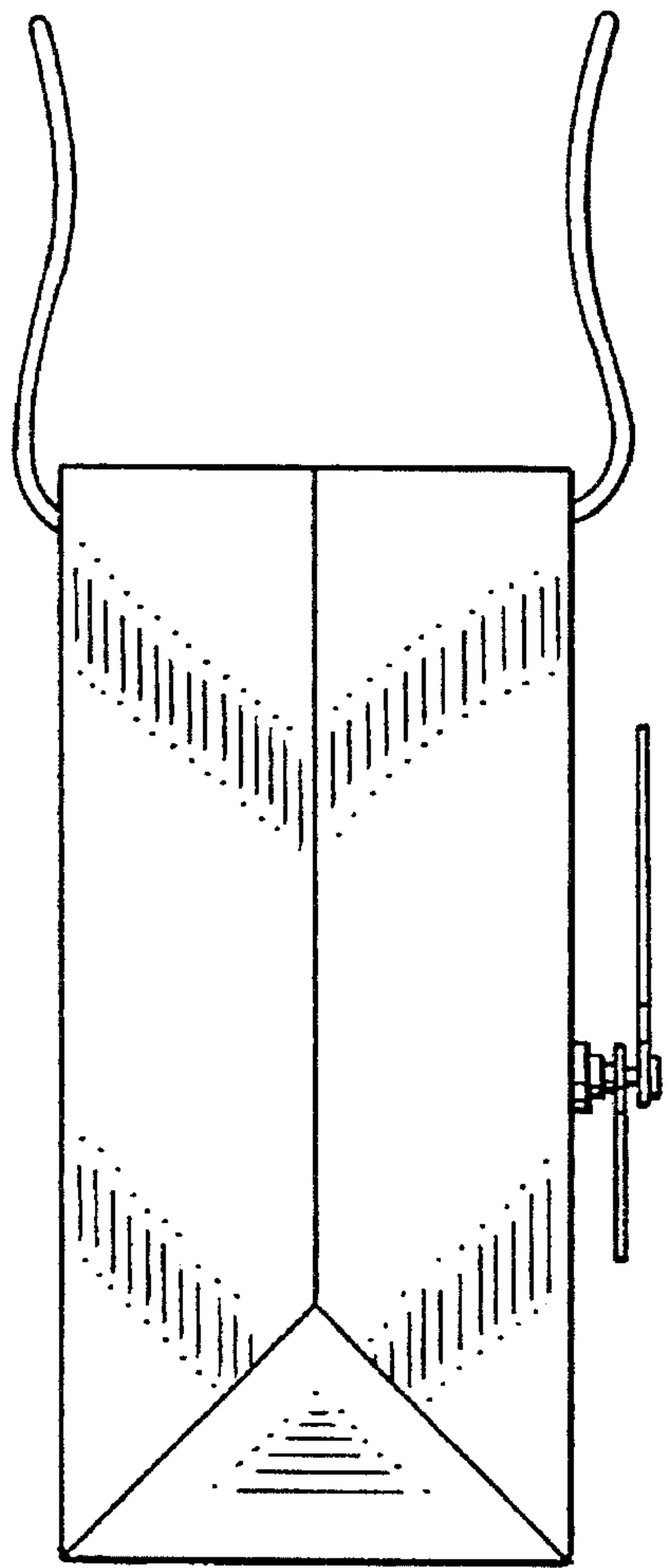


FIG. 7

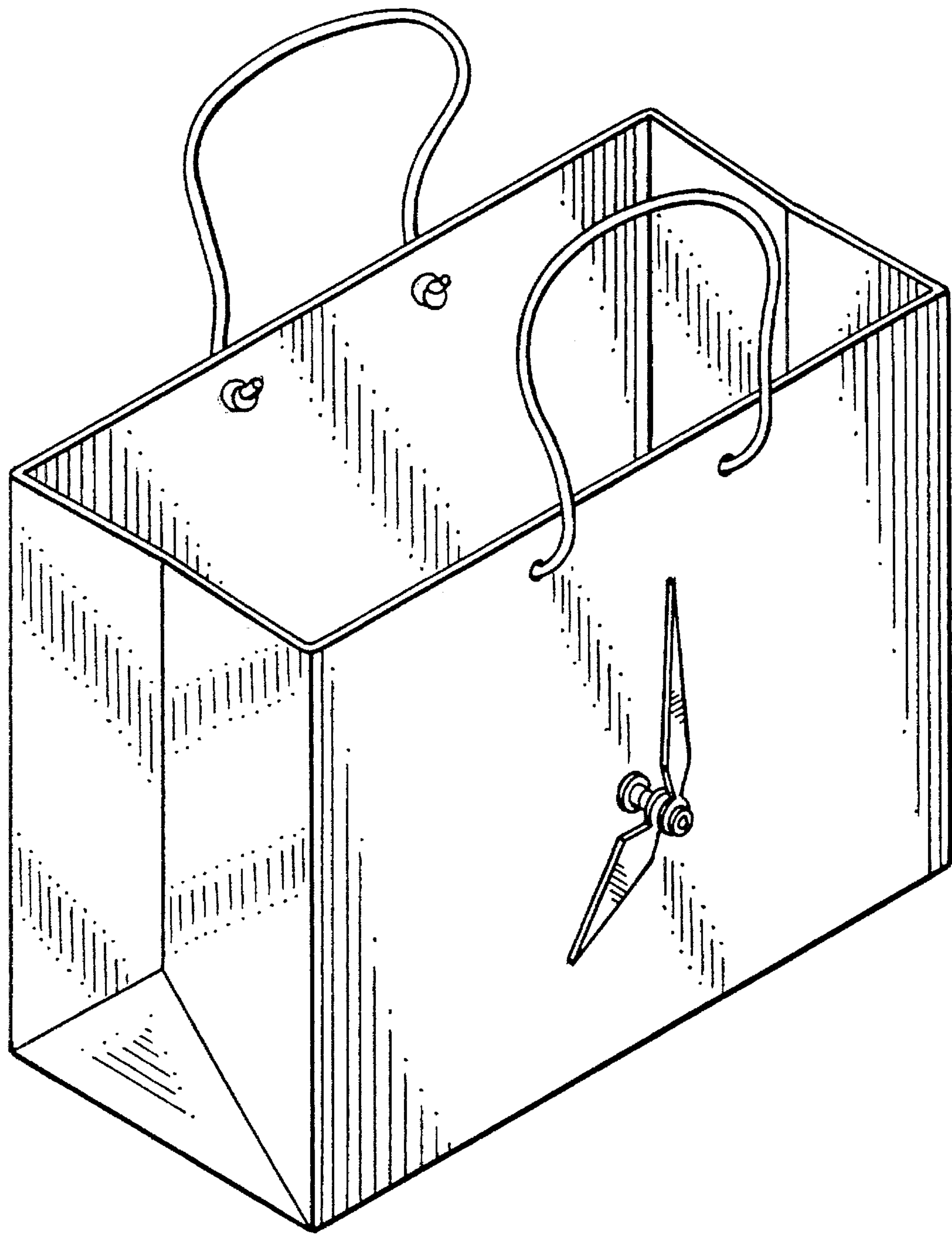


FIG. 8