



US00D367424S

# United States Patent [19]

[11] Patent Number: **Des. 367,424**

Thanisch

[45] Date of Patent: **\*\*\* Feb. 27, 1996**

[54] **CLOSURE DEVICE WITH SCREW THREAD**

[75] Inventor: **Klaus Thanisch**, Bullay, Germany

[73] Assignee: **Zeller Plastik GmbH**, Zell/Monsel, Germany

[\*] Notice: The portion of the term of this patent subsequent to Sep. 12, 2009, has been disclaimed.

[\*\*] Term: **14 Years**

[21] Appl. No.: **8,556**

[22] Filed: **May 19, 1993**

[52] U.S. Cl. .... **D9/446; D9/447**

[58] Field of Search ..... D7/387, 391, 629; D9/434-436, 440, 446-447, 449, 451-452; 215/235, 237, 306-307; 220/306-307, 375; 222/543, 563, 565, 569-570

[56] **References Cited**

**U.S. PATENT DOCUMENTS**

D. 51,618 12/1917 Thompson ..... D9/451  
D. 207,749 5/1967 Evans ..... D9/446

D. 212,463 10/1968 Vanderhyde ..... D9/452  
D. 264,309 5/1982 Weckman et al. .... D9/446  
D. 265,060 6/1982 Blank ..... D9/446  
D. 278,414 4/1985 Cho ..... D9/446  
D. 305,493 1/1990 Ryser ..... D7/391

*Primary Examiner*—Alan P. Douglas

*Assistant Examiner*—R. Spear

[57] **CLAIM**

The ornamental design of a closure device with screw thread, as shown and described.

**DESCRIPTION**

FIG. 1 is a perspective view of a closure device with screw thread showing my design;  
FIG. 2 is a side elevational view thereof, the opposite side view being a mirror image thereof;  
FIG. 3 is a front elevational view thereof;  
FIG. 4 is a rear elevational view thereof;  
FIG. 5 is a top plan view thereof;  
FIG. 6 is a bottom plan view thereof; and,  
FIG. 7 is a cross-sectional view thereof taken along lines 7—7 in FIG. 1.

**1 Claim, 4 Drawing Sheets**

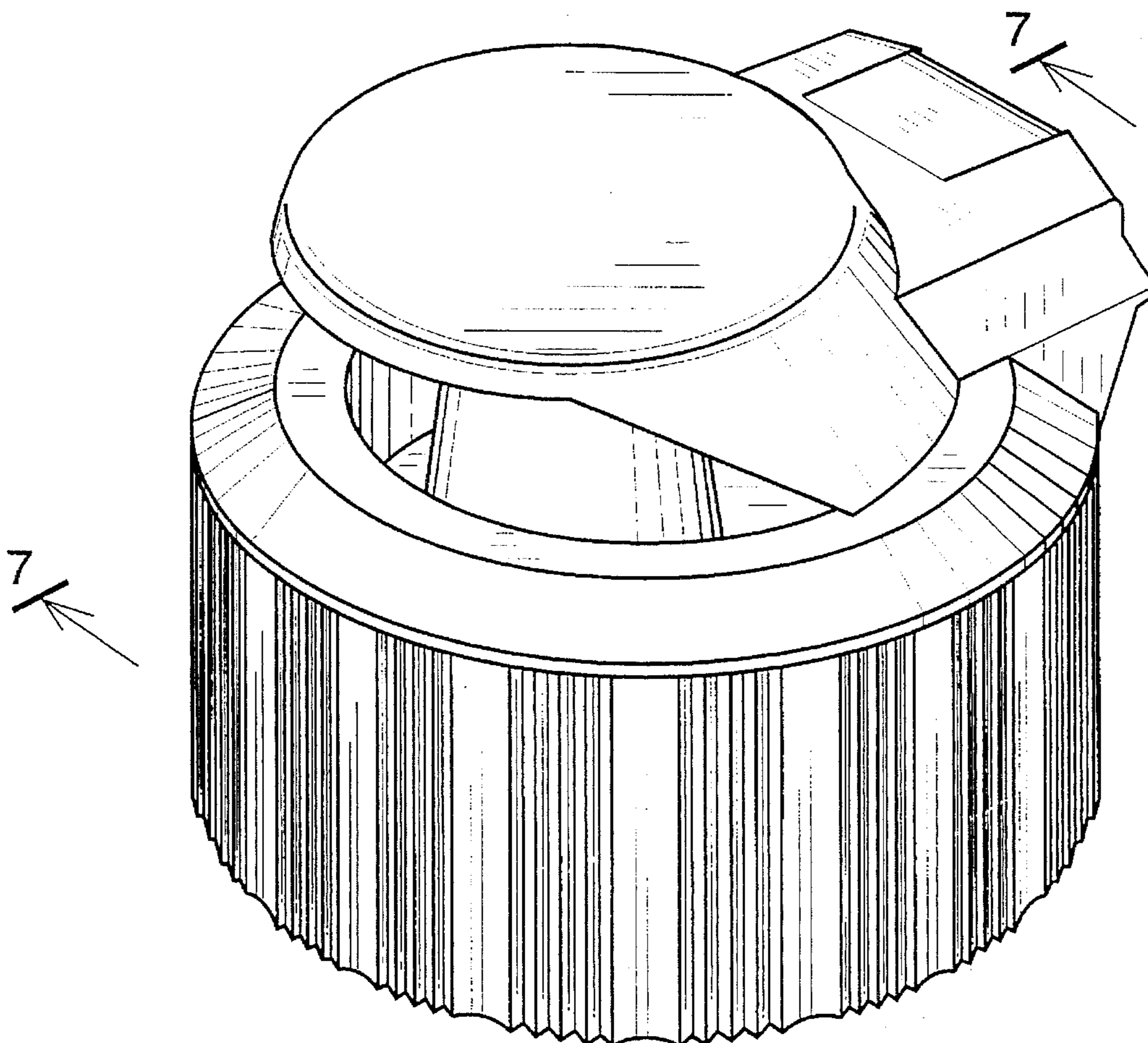


FIG. 1

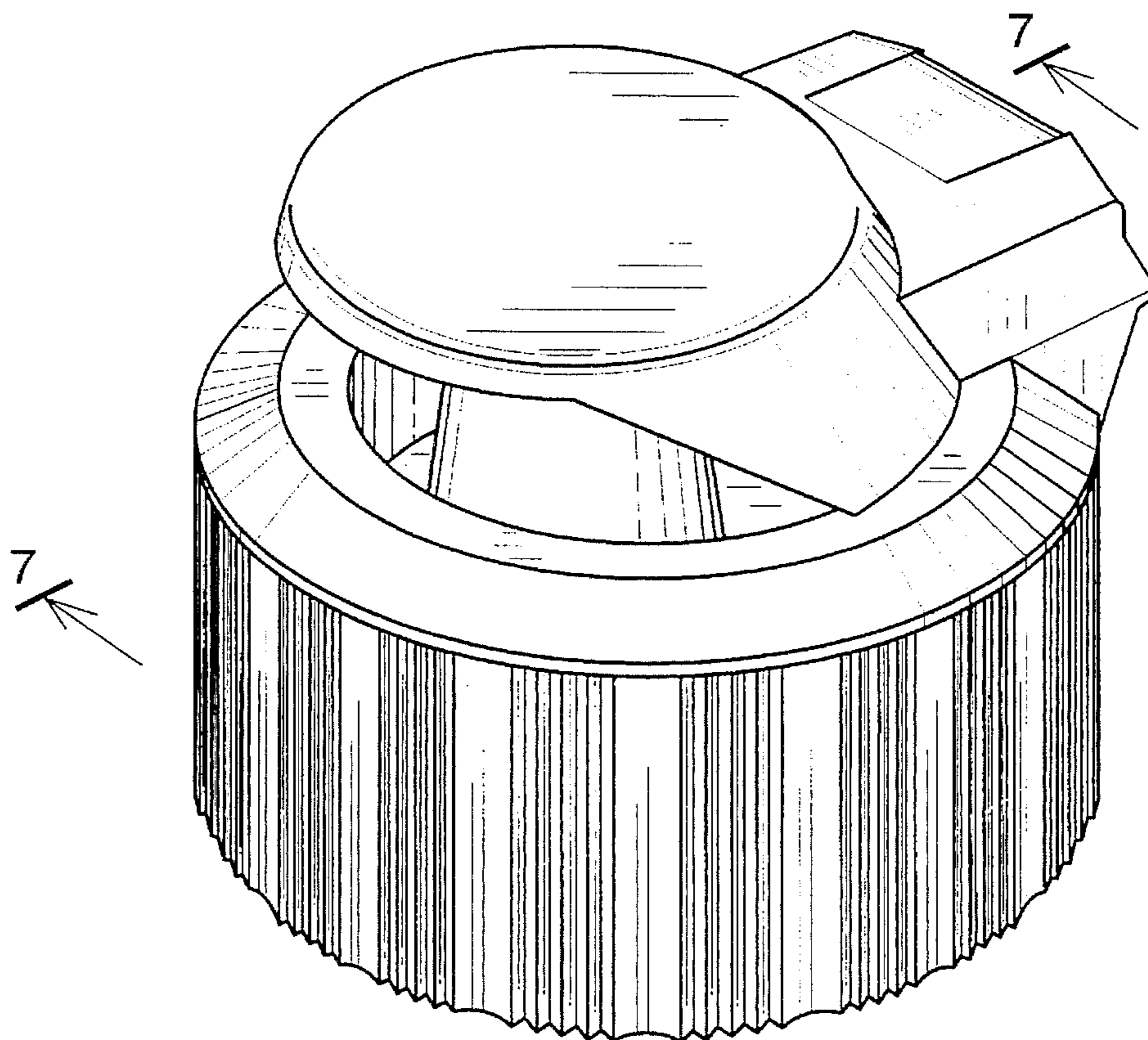
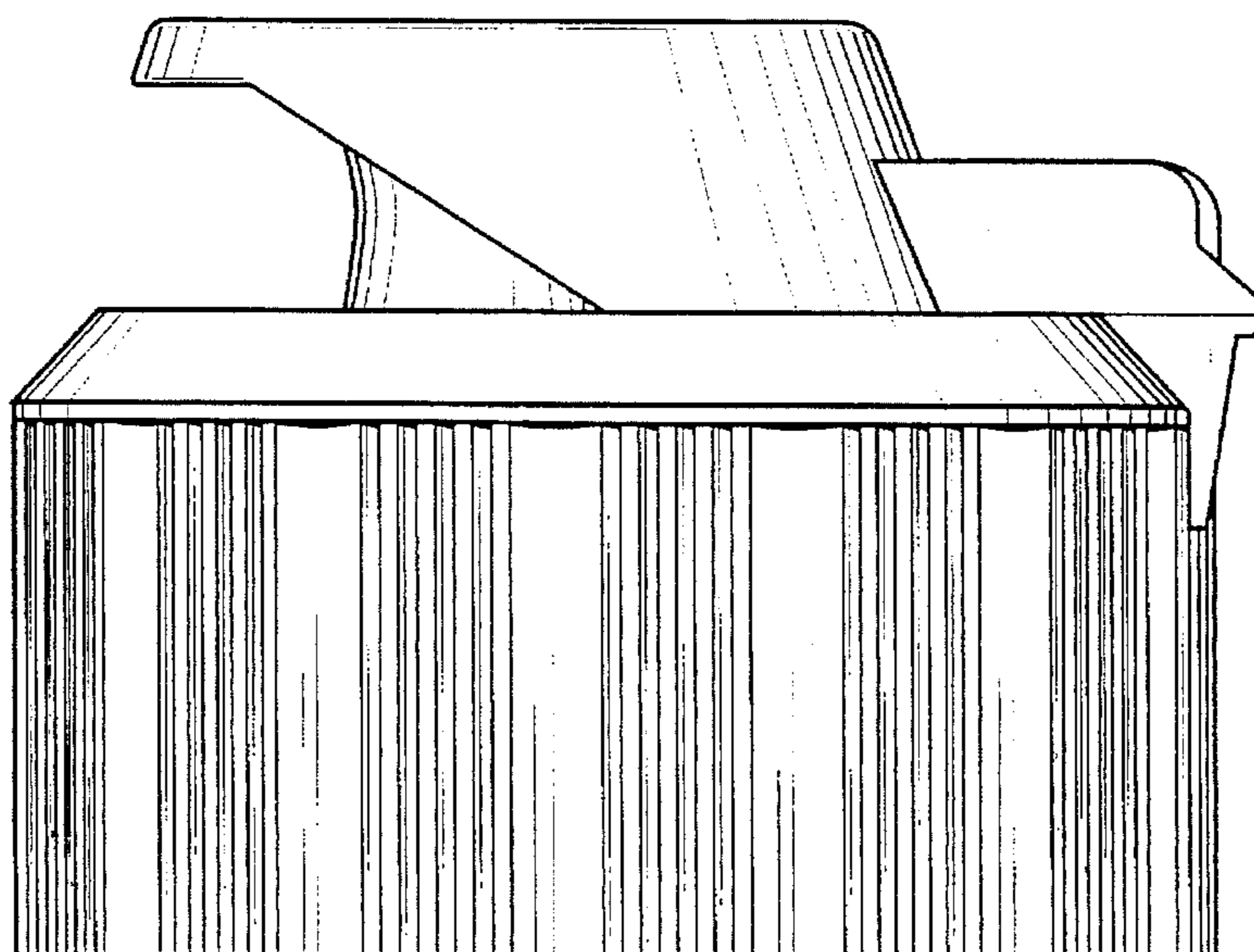
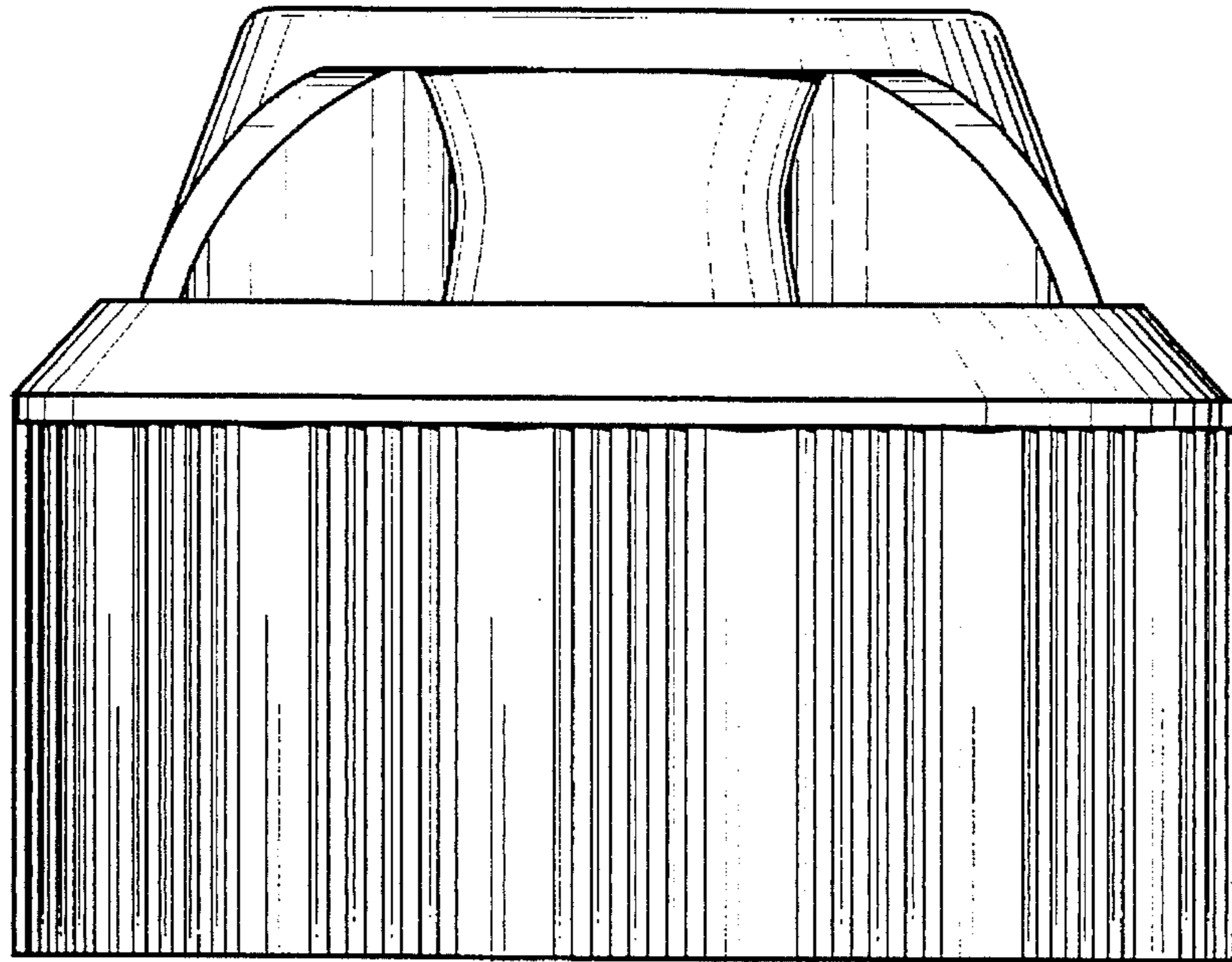


FIG. 2



**FIG. 3**



**FIG. 4**

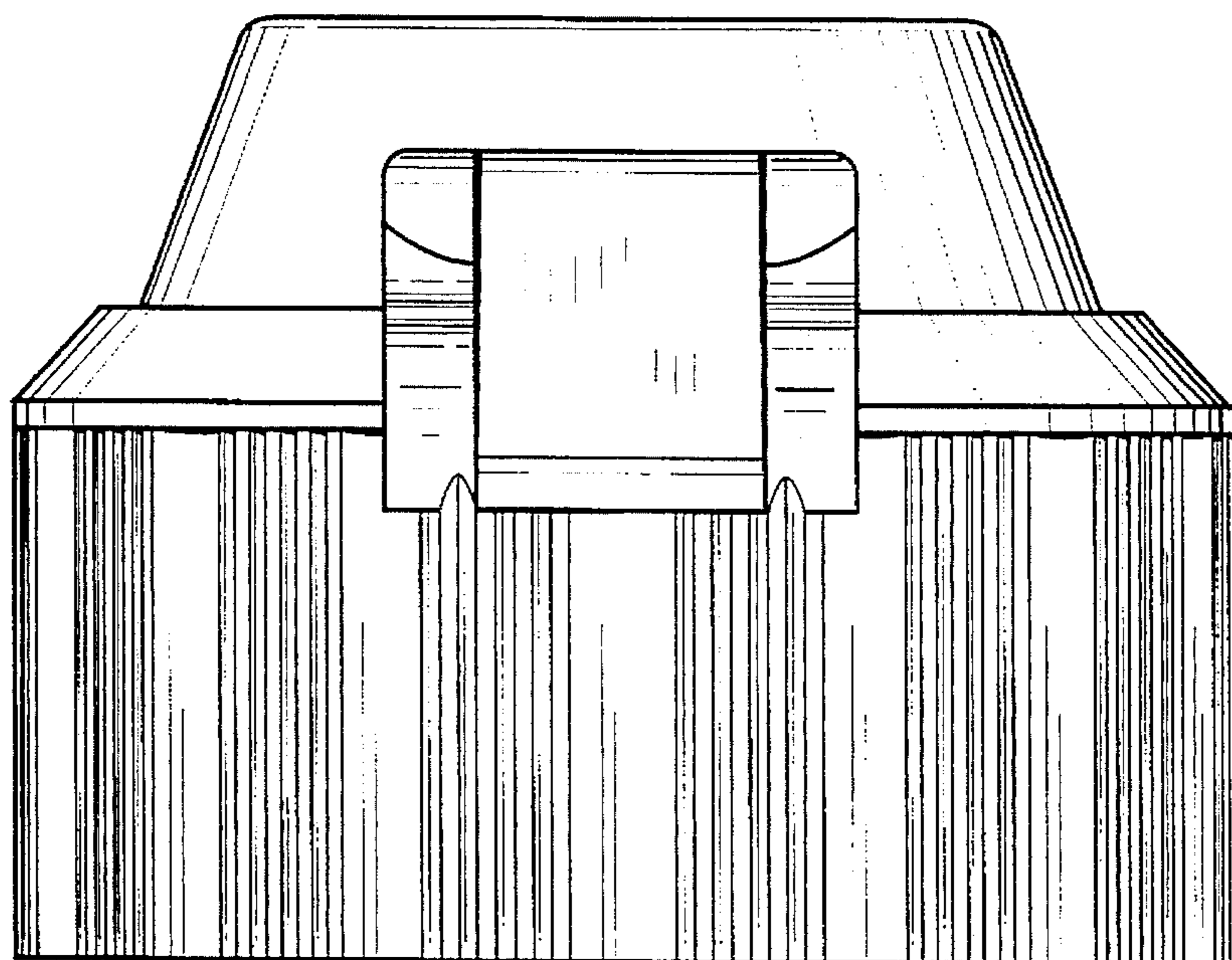




FIG. 5

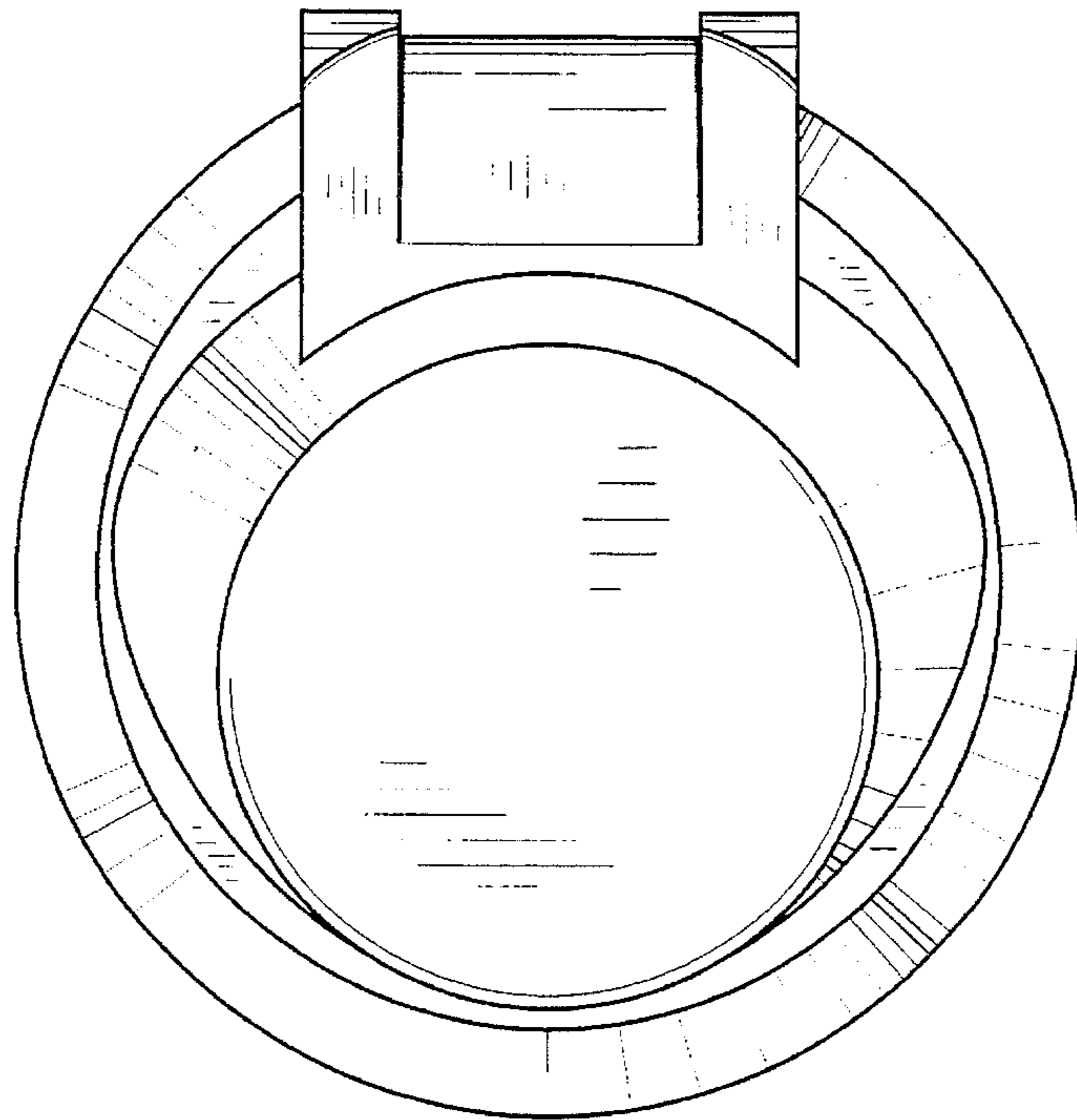
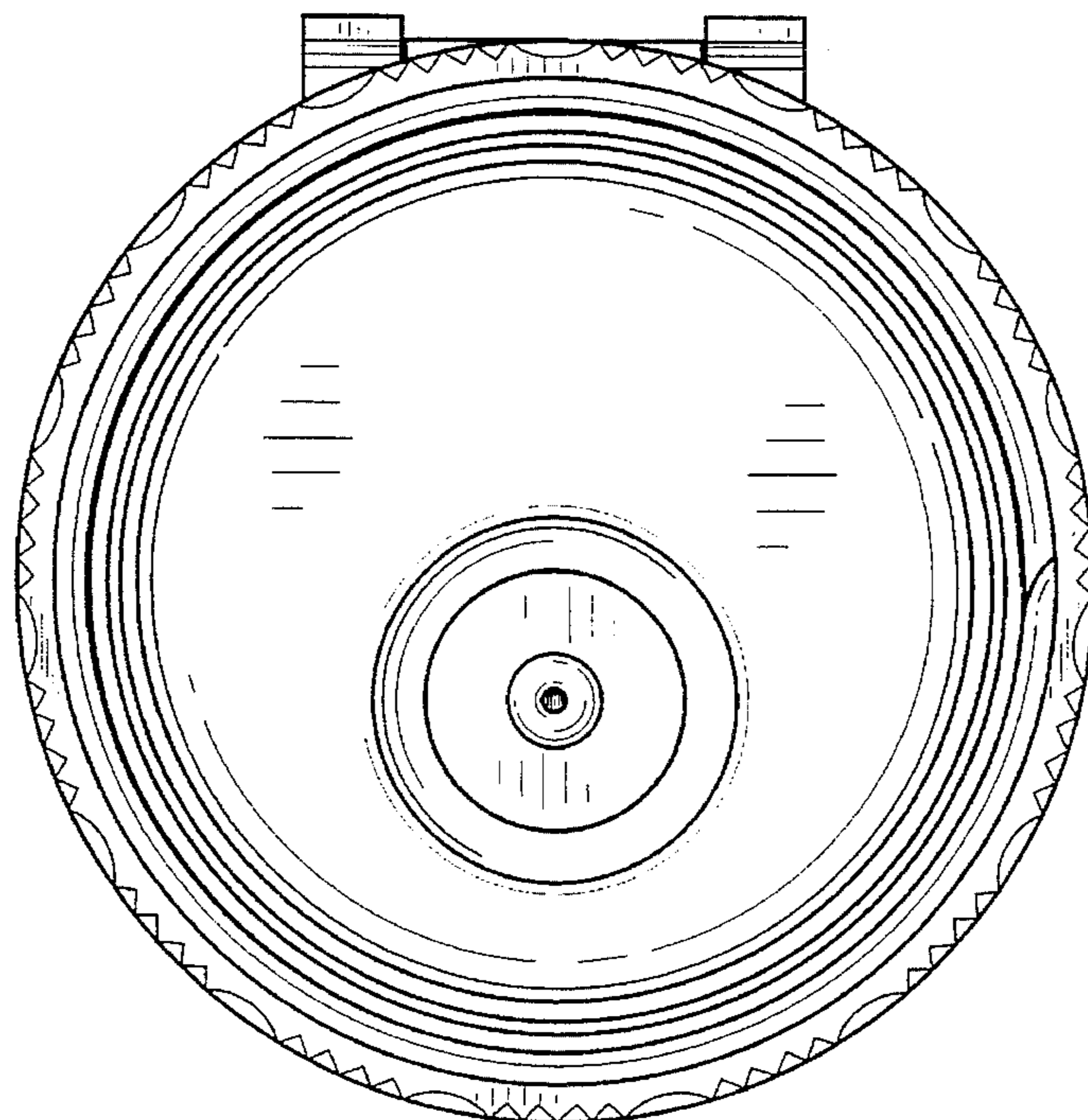
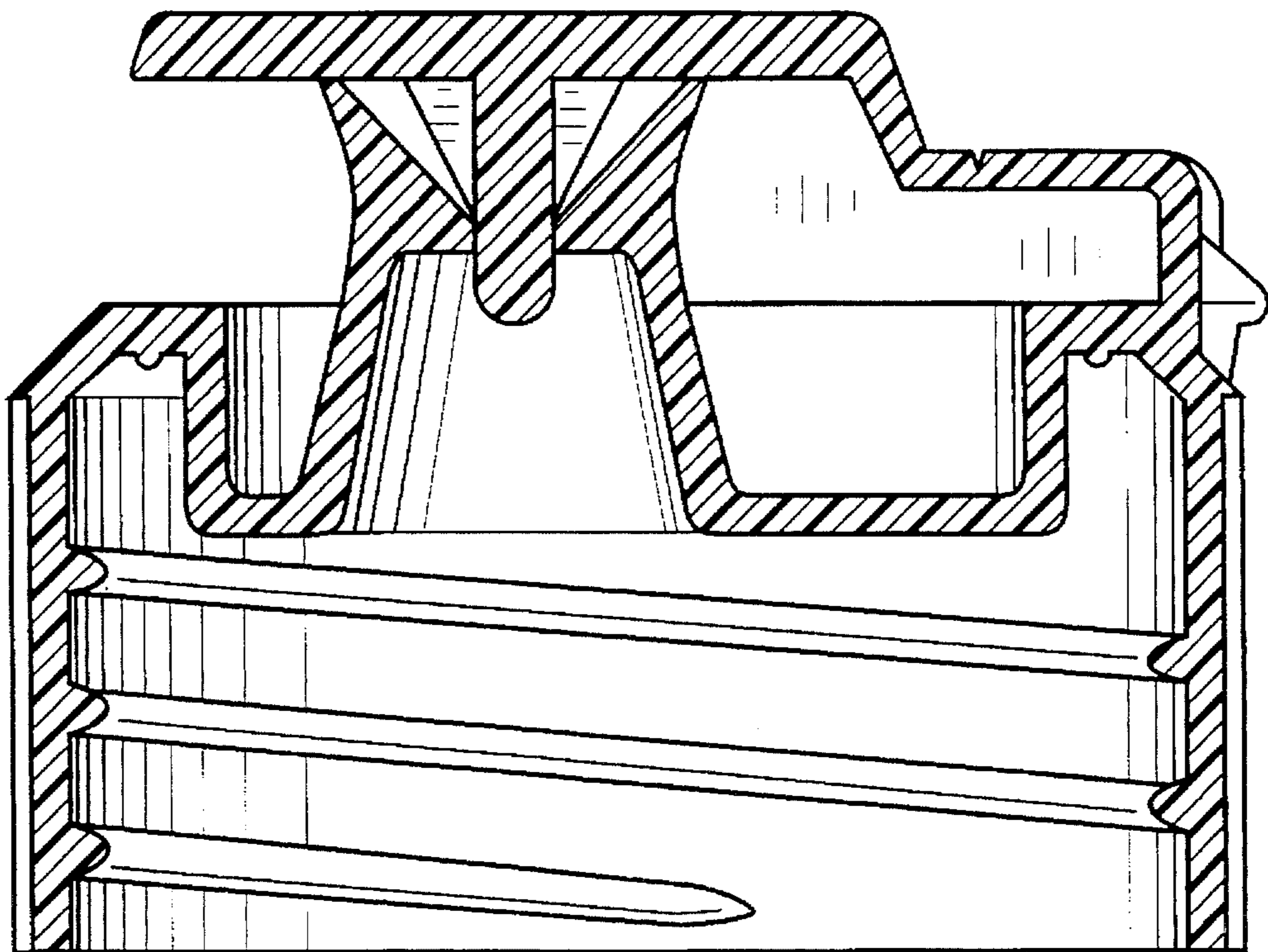


FIG. 6



**FIG. 7**



UNITED STATES PATENT AND TRADEMARK OFFICE  
**CERTIFICATE OF CORRECTION**

PATENT NO. : Des. 367,424  
DATED : Feb. 27, 1996  
INVENTOR(S) : Klaus Thanisch

It is certified that error appears in the above-identified patent and that said Letters Patent is hereby corrected as shown below:

Title Page [73] Assignee: "Zell/Monsel" should read  
--Zell/Mosel--.

Signed and Sealed this  
Eleventh Day of February, 1997



**BRUCE LEHMAN**

*Attest:*

*Attesting Officer*

*Commissioner of Patents and Trademarks*