



US00D367423S

United States Patent [19]

Stanley

[11] Patent Number: **Des. 367,423**

[45] Date of Patent: ****Feb. 27, 1996**

[54] CONTAINER

[76] Inventor: **Ross G. Stanley**, 4 Mollyhawk Place, Birkenhead, Auckland, New Zealand

[**] Term: **14 Years**

[21] Appl. No.: **33,925**

[22] Filed: **Jan. 24, 1995**

[30] Foreign Application Priority Data

Aug. 11, 1994 [NZ] New Zealand 26096

[52] U.S. Cl. **D9/424; D9/503**

[58] Field of Search D9/424, 425, 428, D9/429, 337, 500, 503, 504; 220/212.5, 307, 606, 376; 206/508, 828, 823

[56] References Cited

U.S. PATENT DOCUMENTS

D. 118,920	2/1940	Trevisan	D9/504
D. 280,975	10/1985	Van Dine	D9/504
D. 281,673	12/1985	Lampe	D9/424 X
D. 282,630	2/1986	Braun	D9/504
D. 346,961	5/1994	Kupperman	D9/424 X
2,913,140	11/1959	Vuilleminot	220/212.5 X
3,325,044	6/1967	McCutcheon	220/212.5 X
5,004,109	4/1991	Bartley et al.	220/606 X
5,384,173	1/1995	Akao et al.	220/675 X

OTHER PUBLICATIONS

Packaging, 1959, p. 59, Item #27.

Primary Examiner—Prabhakar G. Deshmukh
Attorney, Agent, or Firm—Young & Thompson

[57] CLAIM

The ornamental design for a container, as shown and described.

DESCRIPTION

FIG. 1 is a view in side elevation of a container showing my new design comprising a receptacle with a lid in place thereon;

FIG. 2 is a side view of the receptacle with the lid removed;

FIG. 3 is a bottom view of the receptacle;

FIG. 4 is a top view of the receptacle with the lid removed;

FIG. 5 is a perspective view of the receptacle from below;

FIG. 6 is a perspective view of the receptacle from above with the lid removed;

FIG. 7 is a side view of the lid removed from the receptacle;

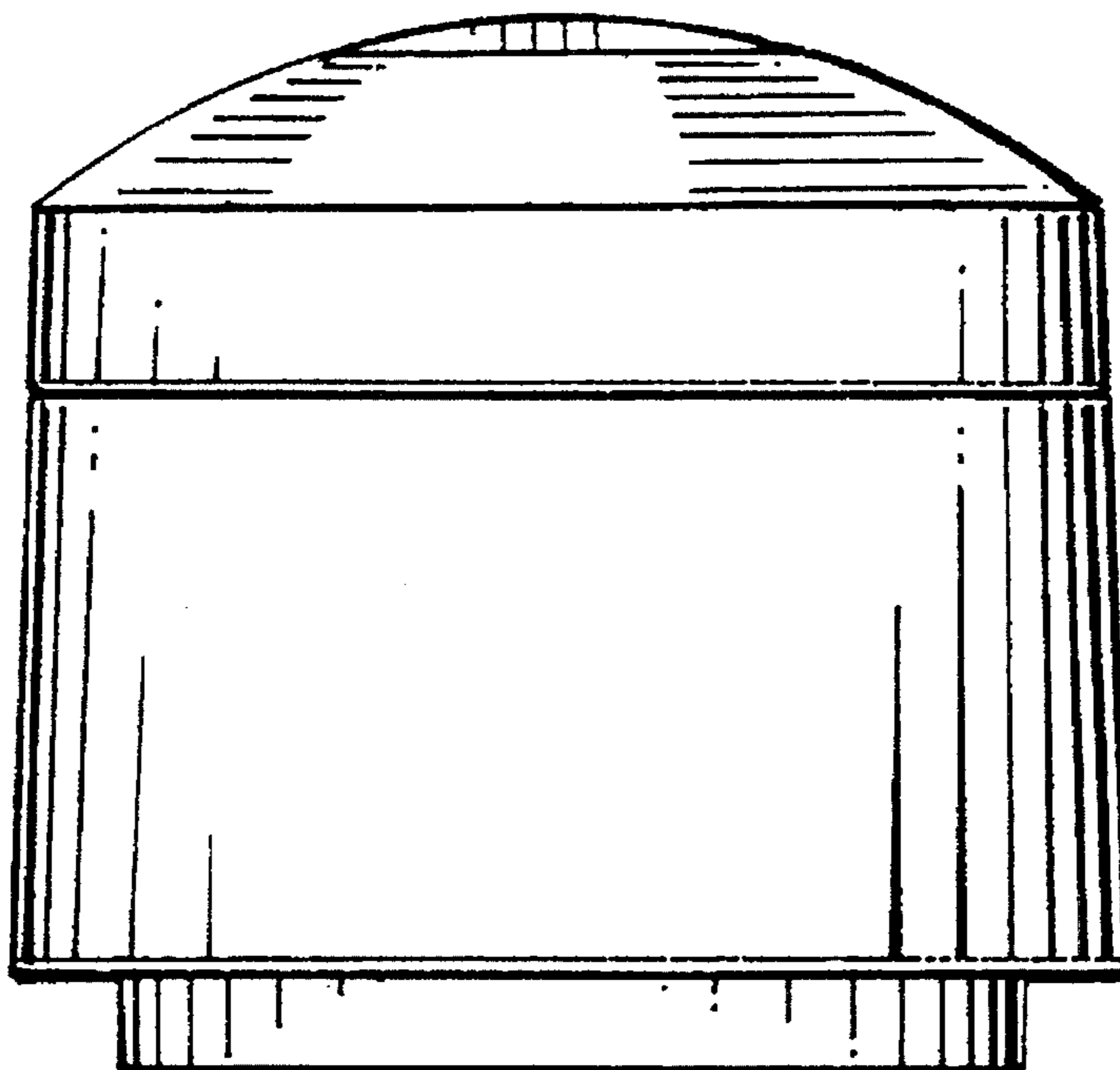
FIG. 8 is another side view of the lid removed from the receptacle and rotated through 90° from the position shown in FIG. 7;

FIG. 9 is a perspective view of the lid from above;

FIG. 10 is a perspective view of the lid from below;

FIG. 11 is a top view of the lid; and,

FIG. 12 is a bottom view of the lid removed from the receptacle.



1 Claim, 2 Drawing Sheets

FIG.1

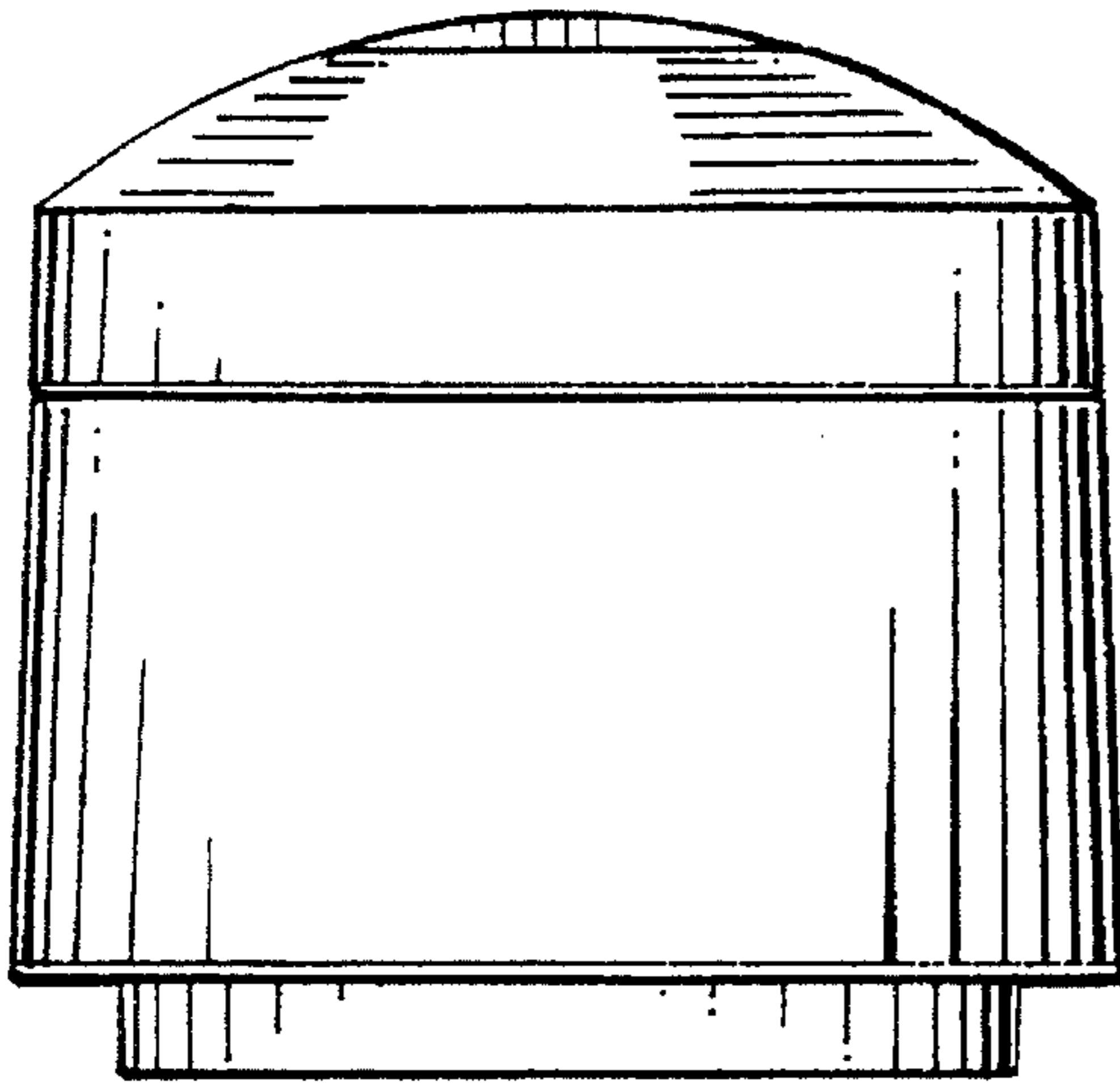


FIG.8

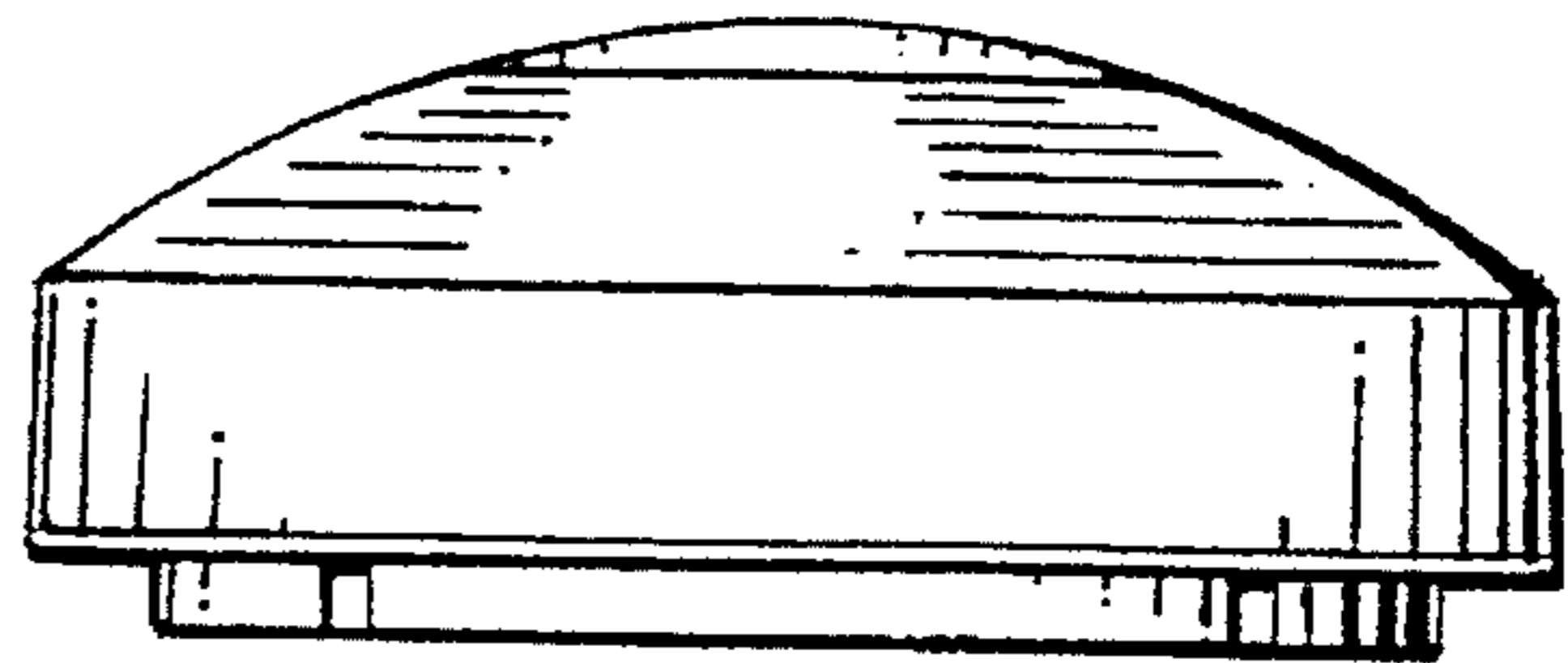


FIG.7

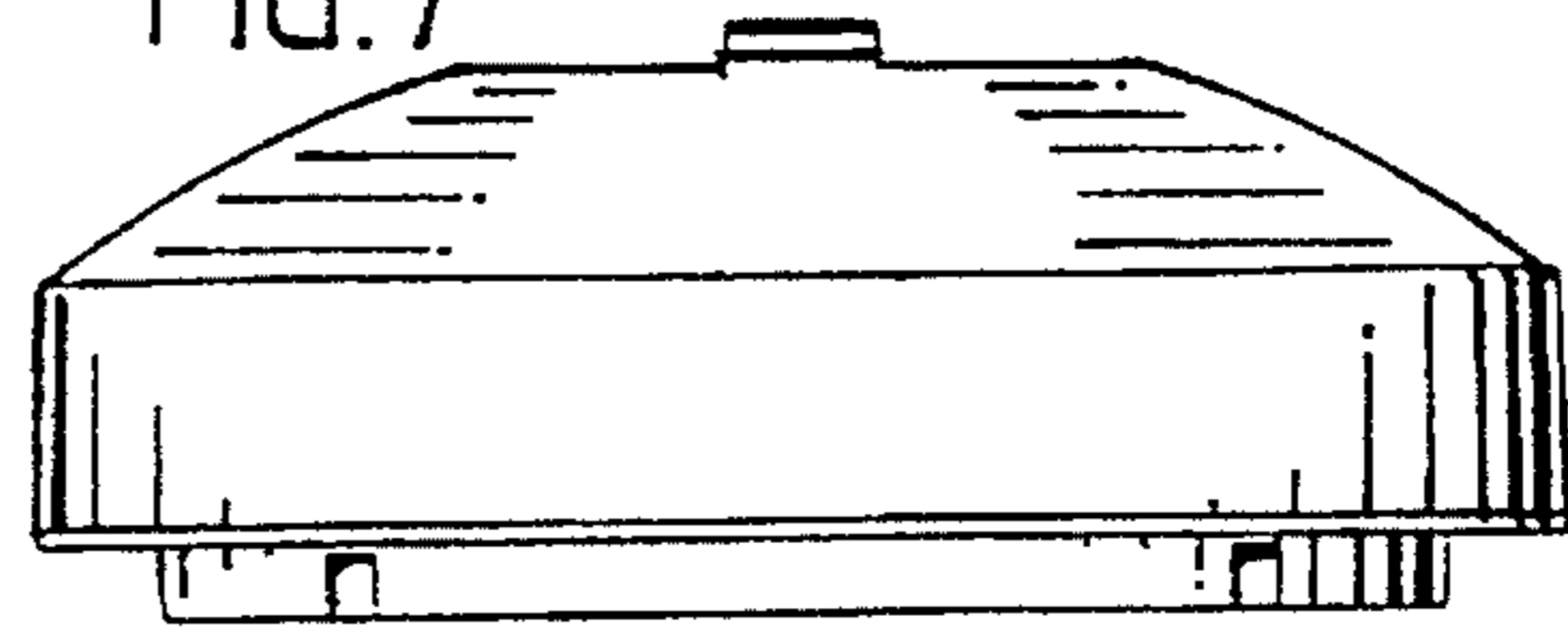


FIG.12

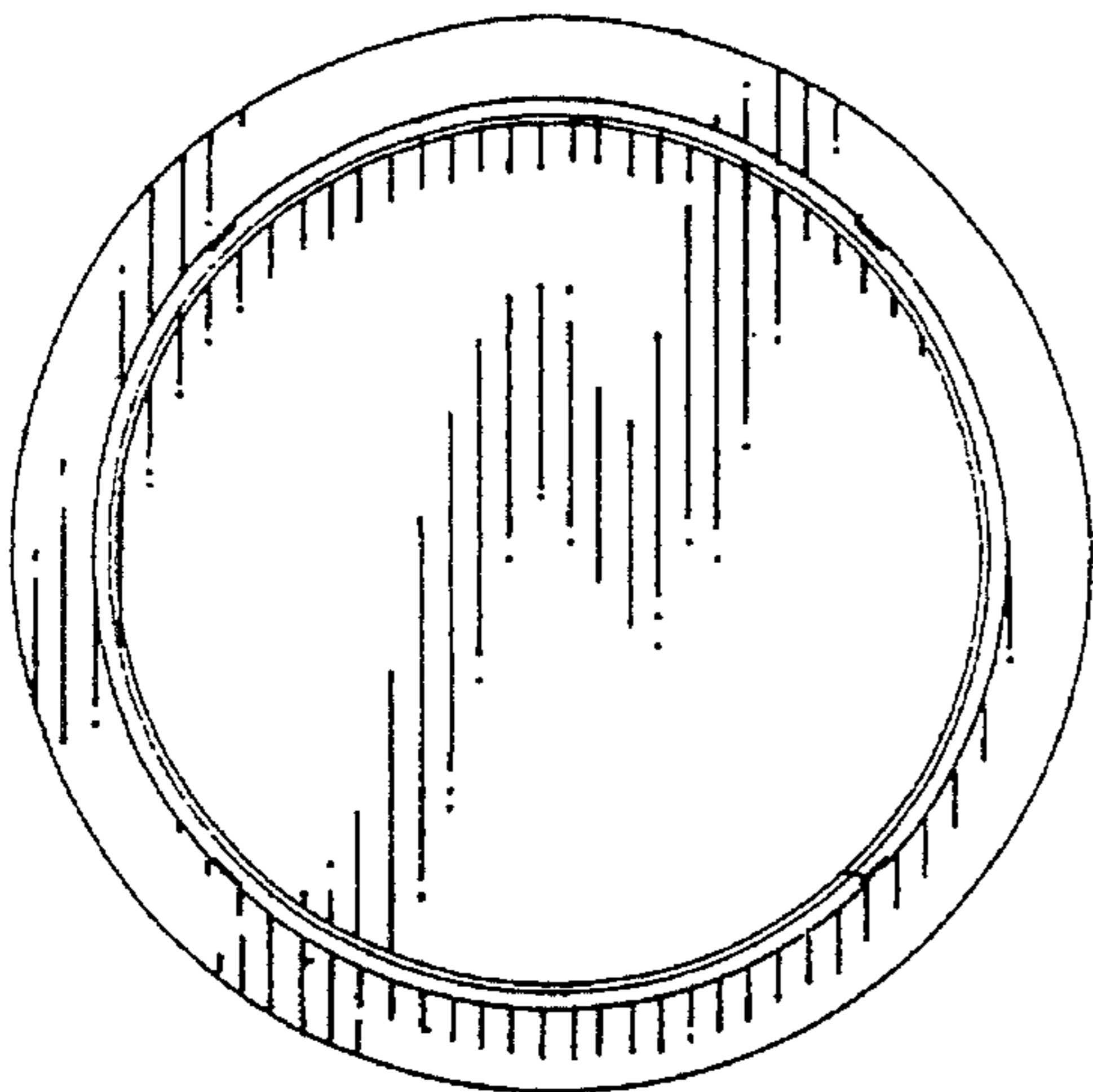


FIG.9

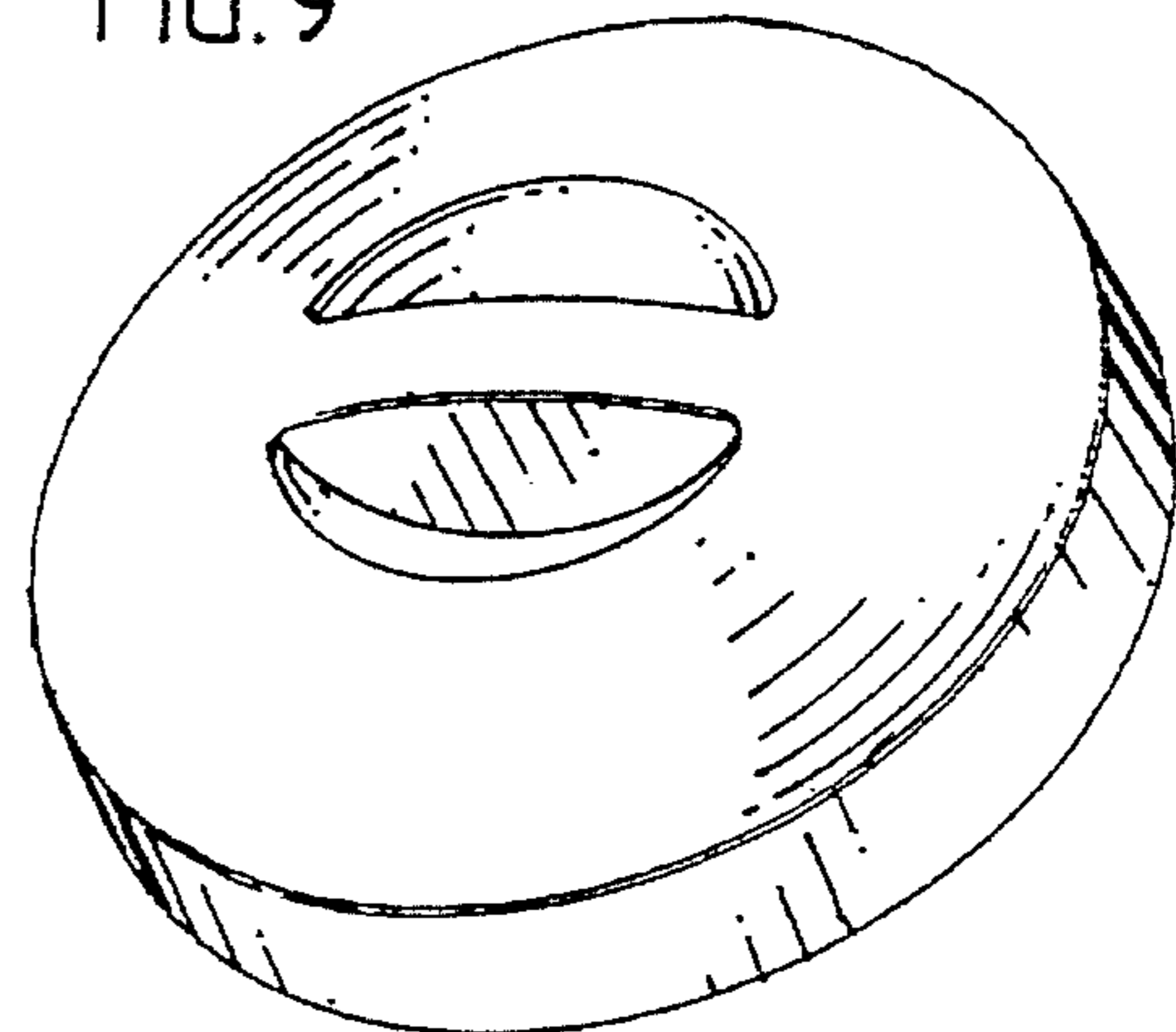


FIG.11

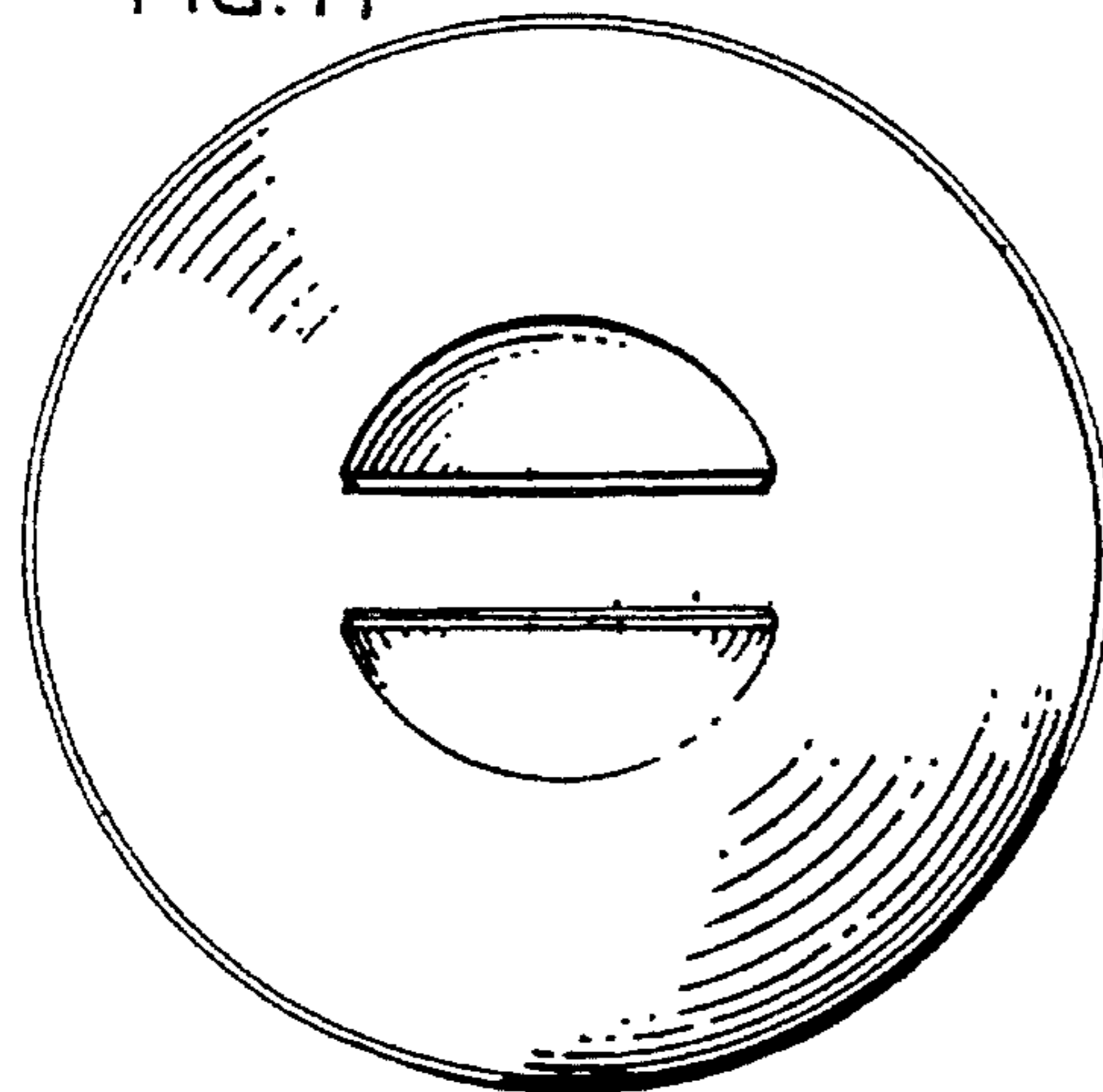


FIG.10

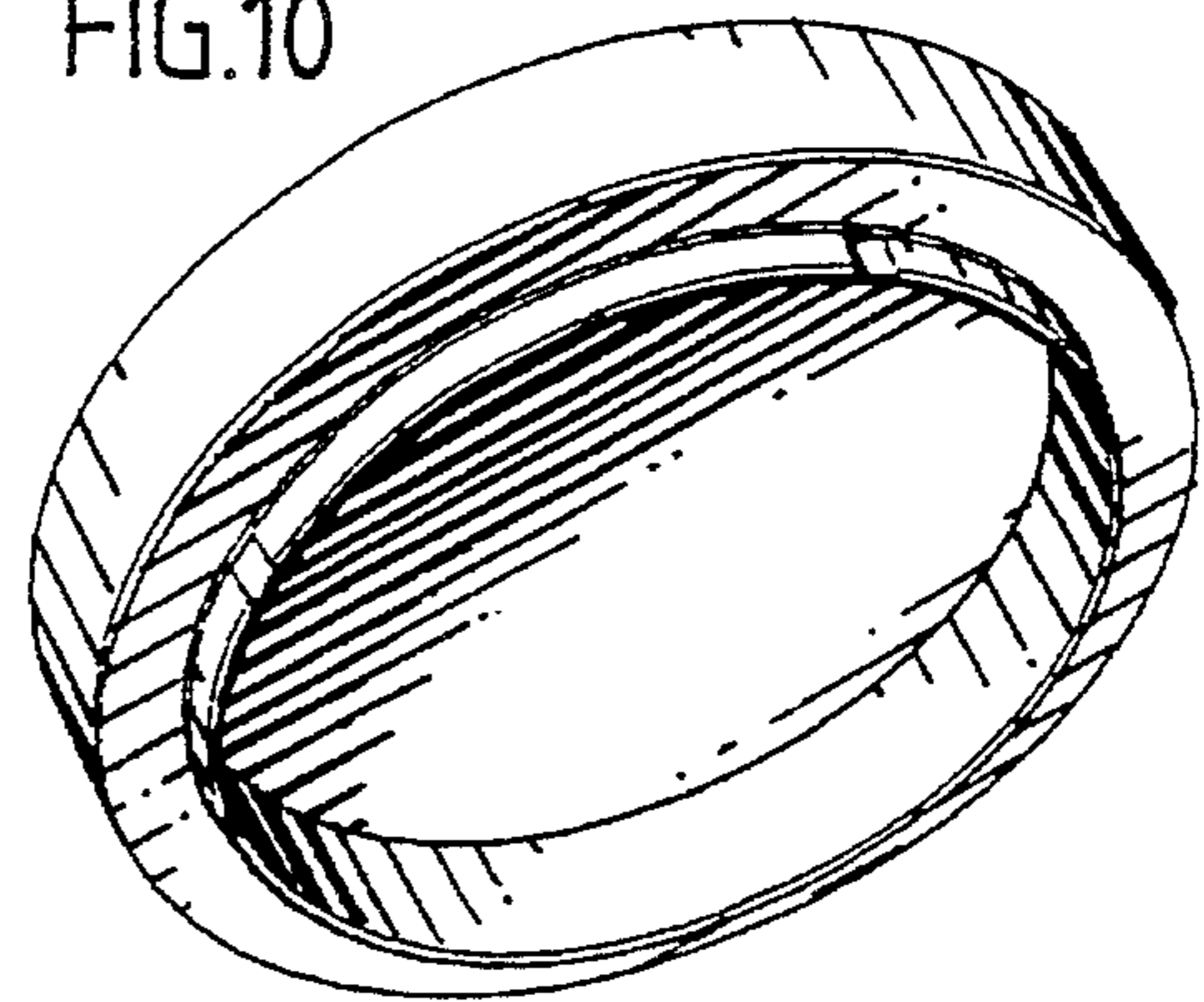


FIG. 2

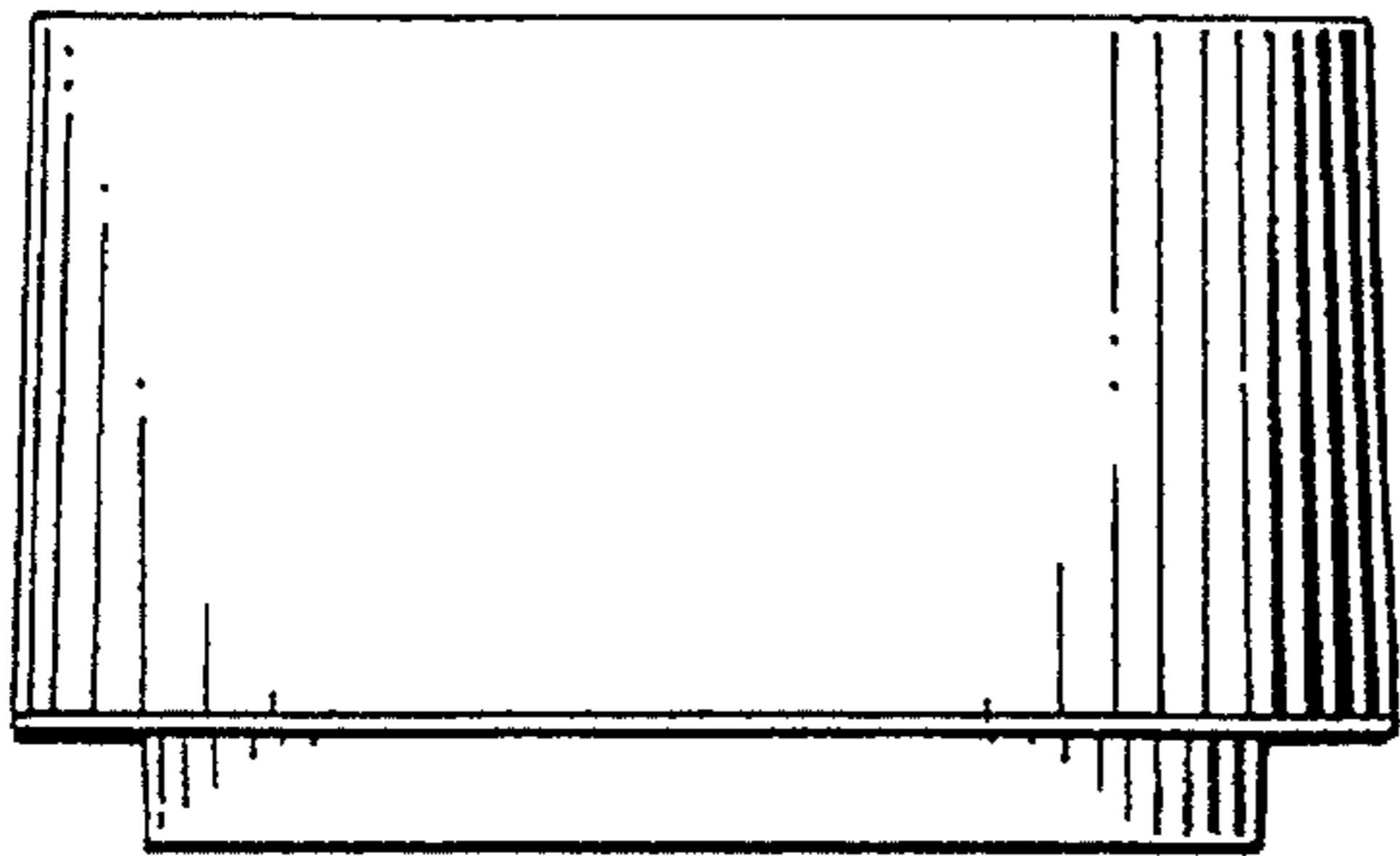


FIG. 5

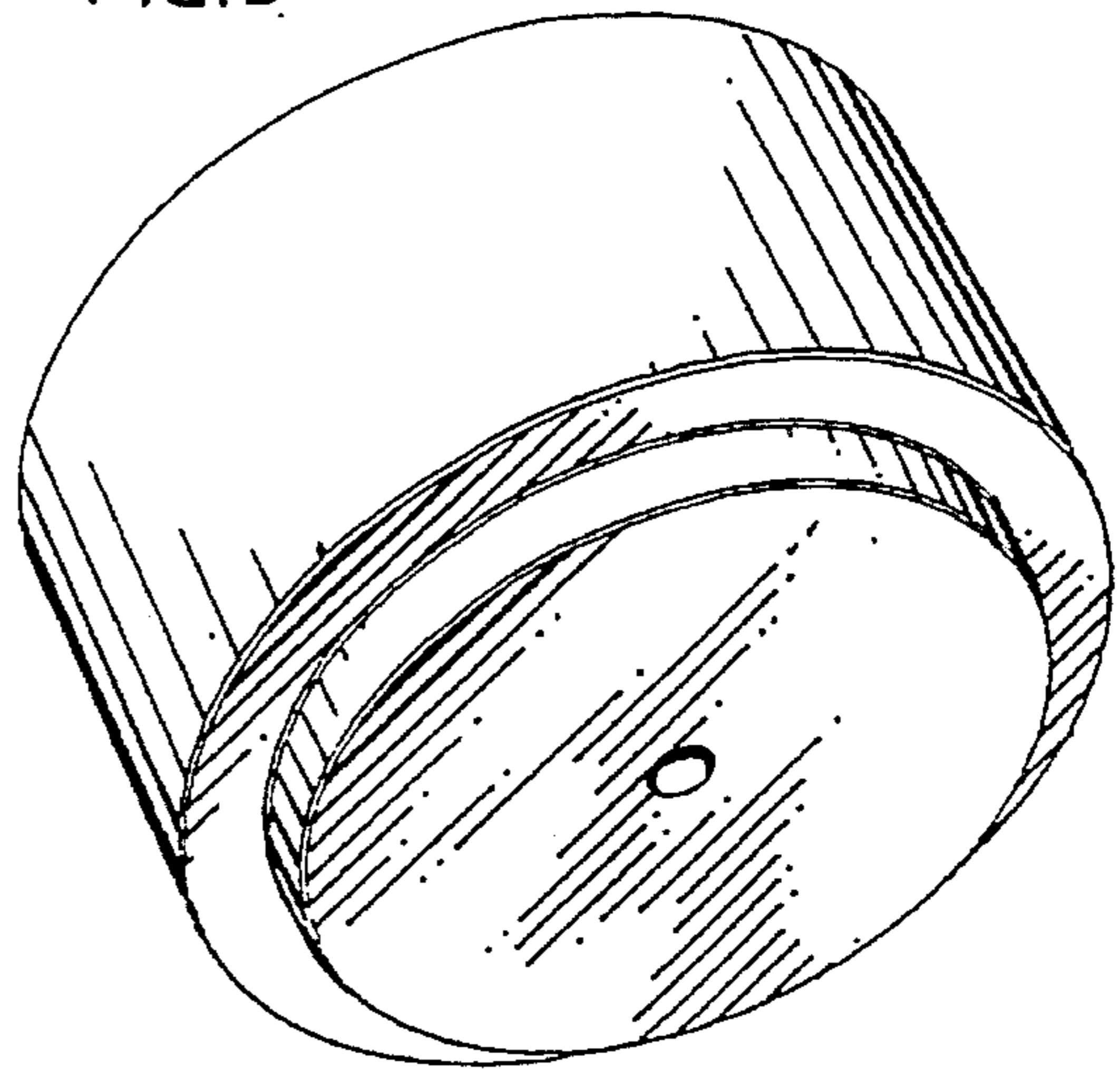


FIG. 3

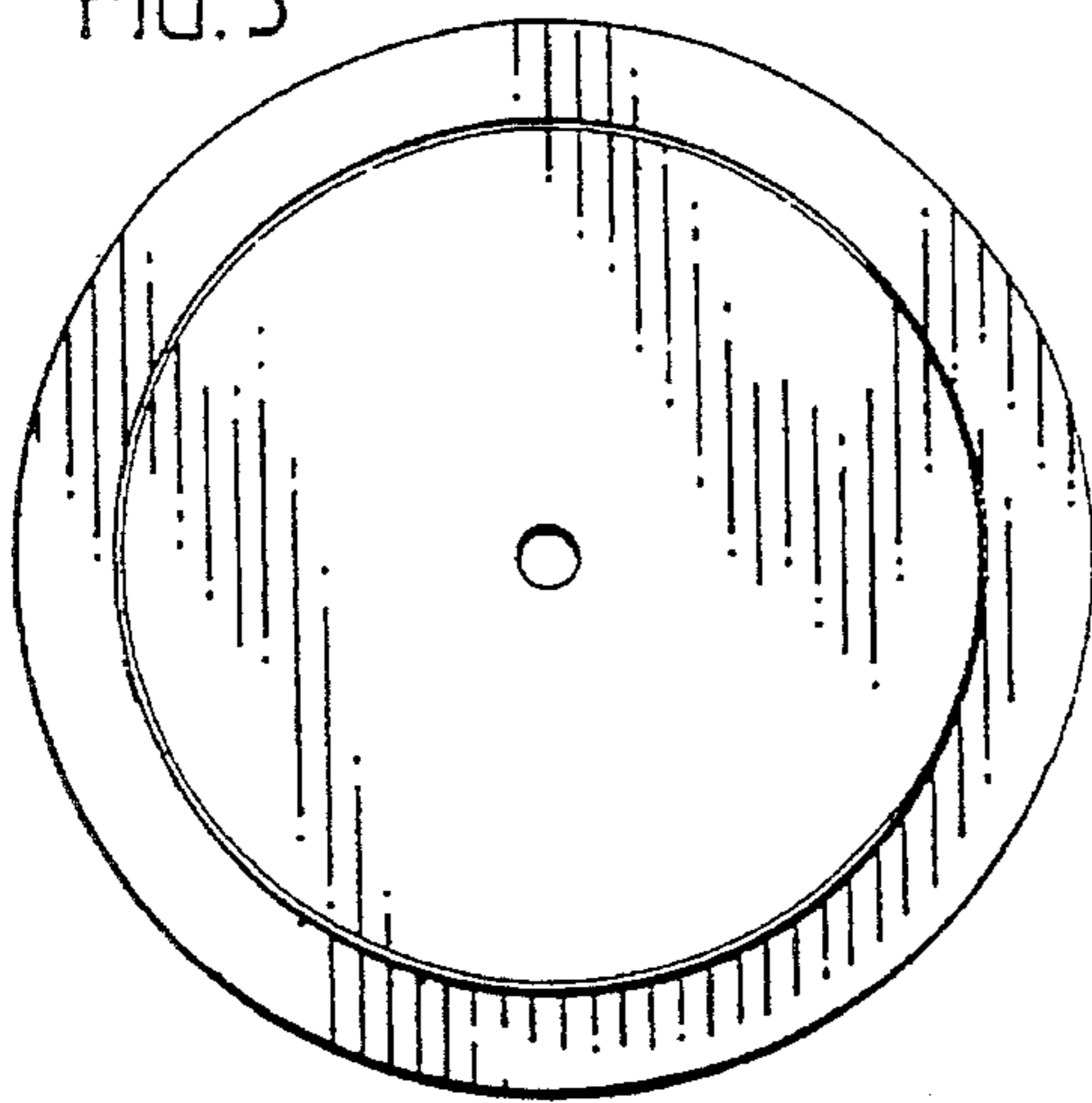


FIG. 6

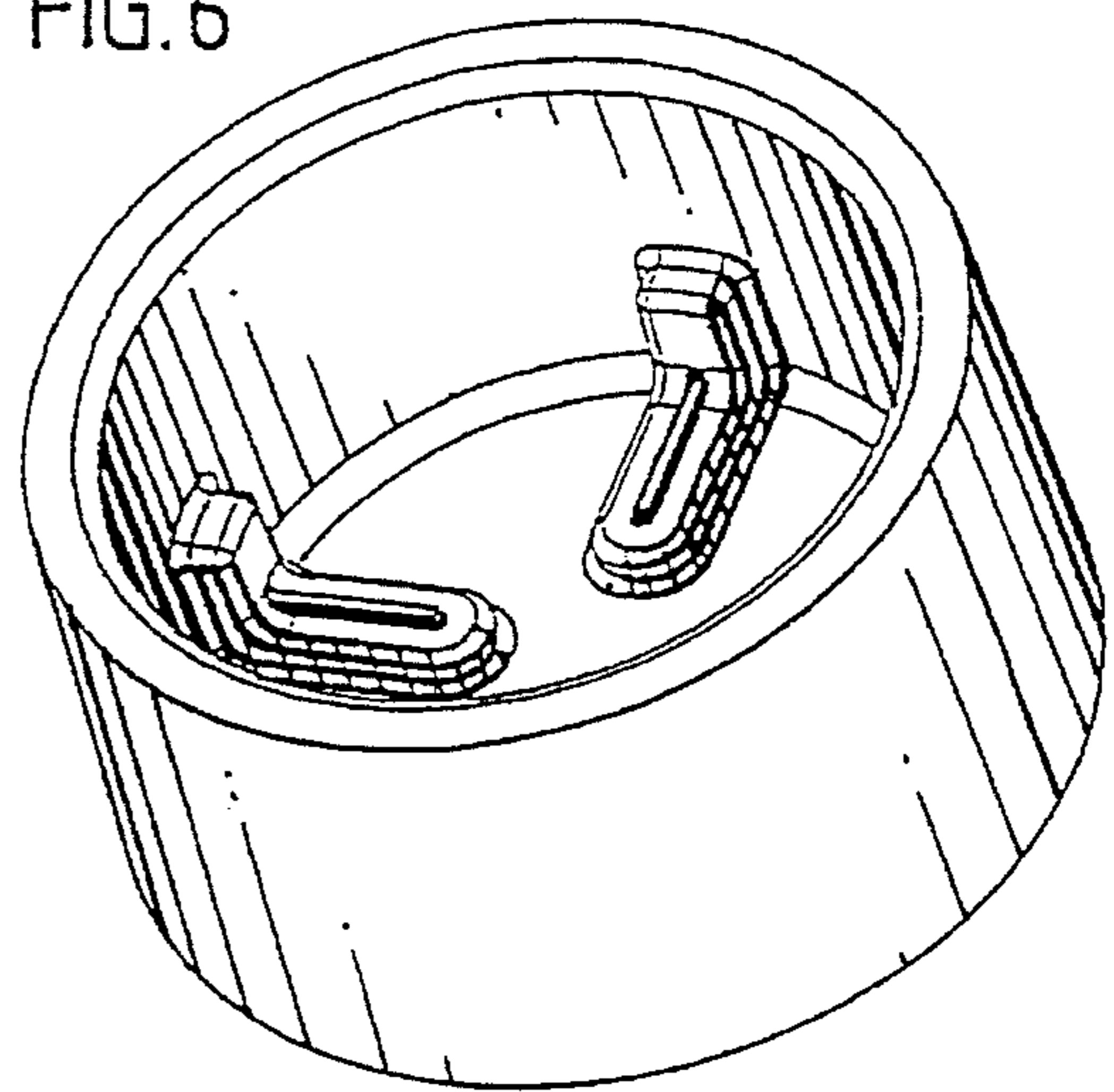


FIG. 4

