



US00D367420S

United States Patent [19]

[11] Patent Number: **Des. 367,420**

Newcomer

[45] Date of Patent: ****Feb. 27, 1996**

[54] **FASTENER**

5,301,462 4/1994 Hronyetz 47/40.5

5,306,098 4/1994 Lewis 411/510

5,393,185 2/1995 Duffy, Jr. 411/510

[76] Inventor: **Charles H. Newcomer**, P.O. Box 134,
Grants Pass, Oreg. 97526

OTHER PUBLICATIONS

[**] Term: **14 Years**

Playthings Magazine; Sep. 1960; p. 117; Revolving Tree Stand (lower, center).

[21] Appl. No.: **31,996**

Primary Examiner—Ted Shooman

[22] Filed: **Dec. 12, 1994**

Assistant Examiner—Paula Mortimer

[52] U.S. Cl. **D8/382**

Attorney, Agent, or Firm—Jerry T. Kearns

[58] **Field of Search** D8/382, 388; 24/324,
24/297, 662; 411/508, 509, 510; D11/130.1;
47/40.5

[57] CLAIM

The ornamental design for a fastener, as shown and described.

[56] References Cited

DESCRIPTION

U.S. PATENT DOCUMENTS

D. 123,889	12/1940	Moldowon	D11/130.1
D. 172,007	4/1954	Cousland	D11/130.1
D. 268,006	2/1983	Wollar	D8/388 X
D. 287,476	12/1986	Craft et al.	D11/130.1
D. 298,736	11/1988	Shiraishi	D8/388
2,847,175	8/1958	Farley et al.	47/40.5
4,402,641	9/1983	Arff	411/510
4,776,739	10/1988	Hamman	411/510
4,861,208	8/1989	Bundy	24/297 X
4,900,210	2/1990	Buchanan et al.	411/510 X
4,902,182	2/1990	Lewis	411/510

FIG. 1 is a top front perspective view of a fastener showing my new design;

FIG. 2 is a top rear perspective view thereof;

FIG. 3 is a left end elevational view thereof;

FIG. 4 is a right end elevational view thereof;

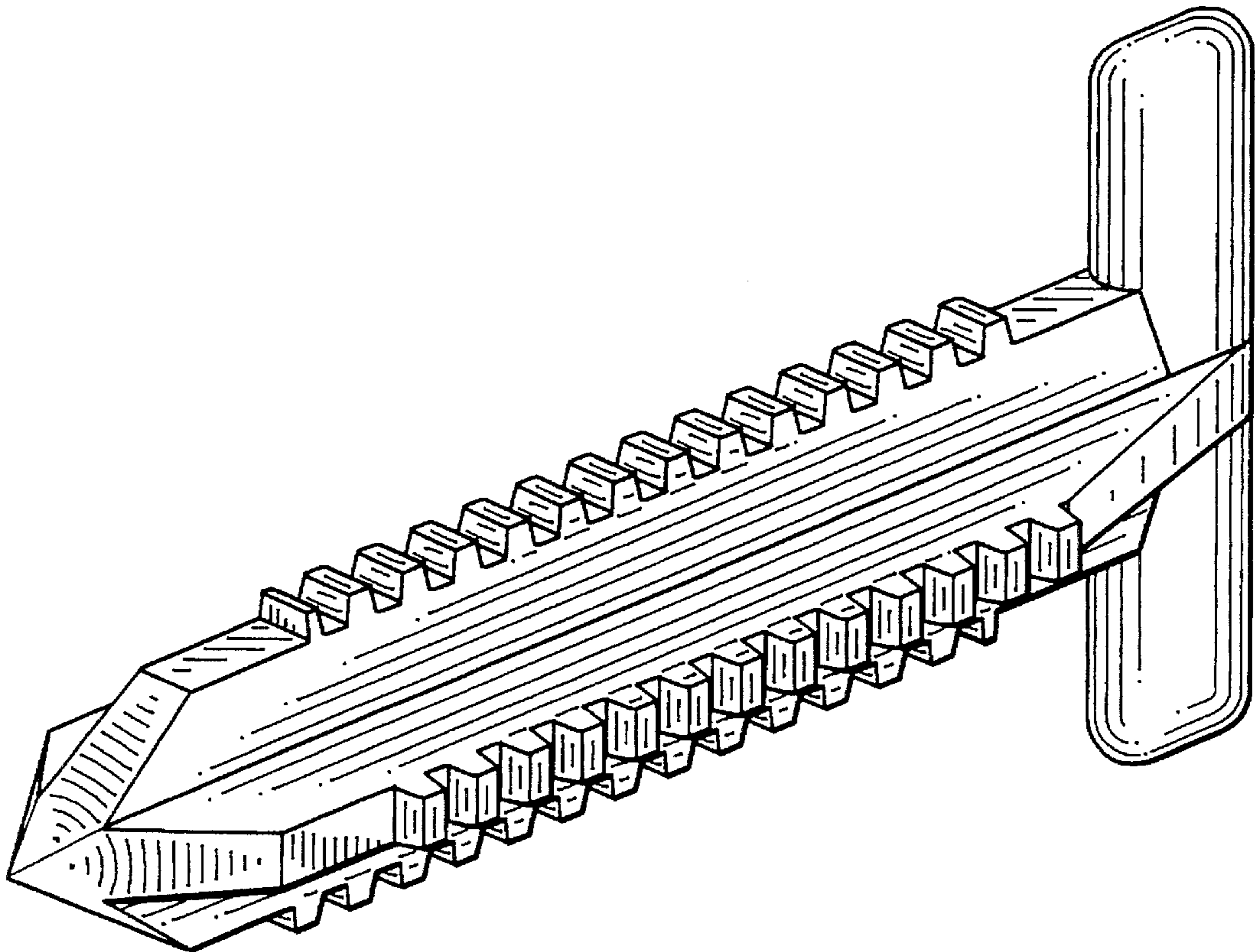
FIG. 5 is a rear elevational view thereof;

FIG. 6 is a front elevational view thereof;

FIG. 7 is a top plan view thereof; and,

FIG. 8 is a bottom plan view thereof.

1 Claim, 3 Drawing Sheets



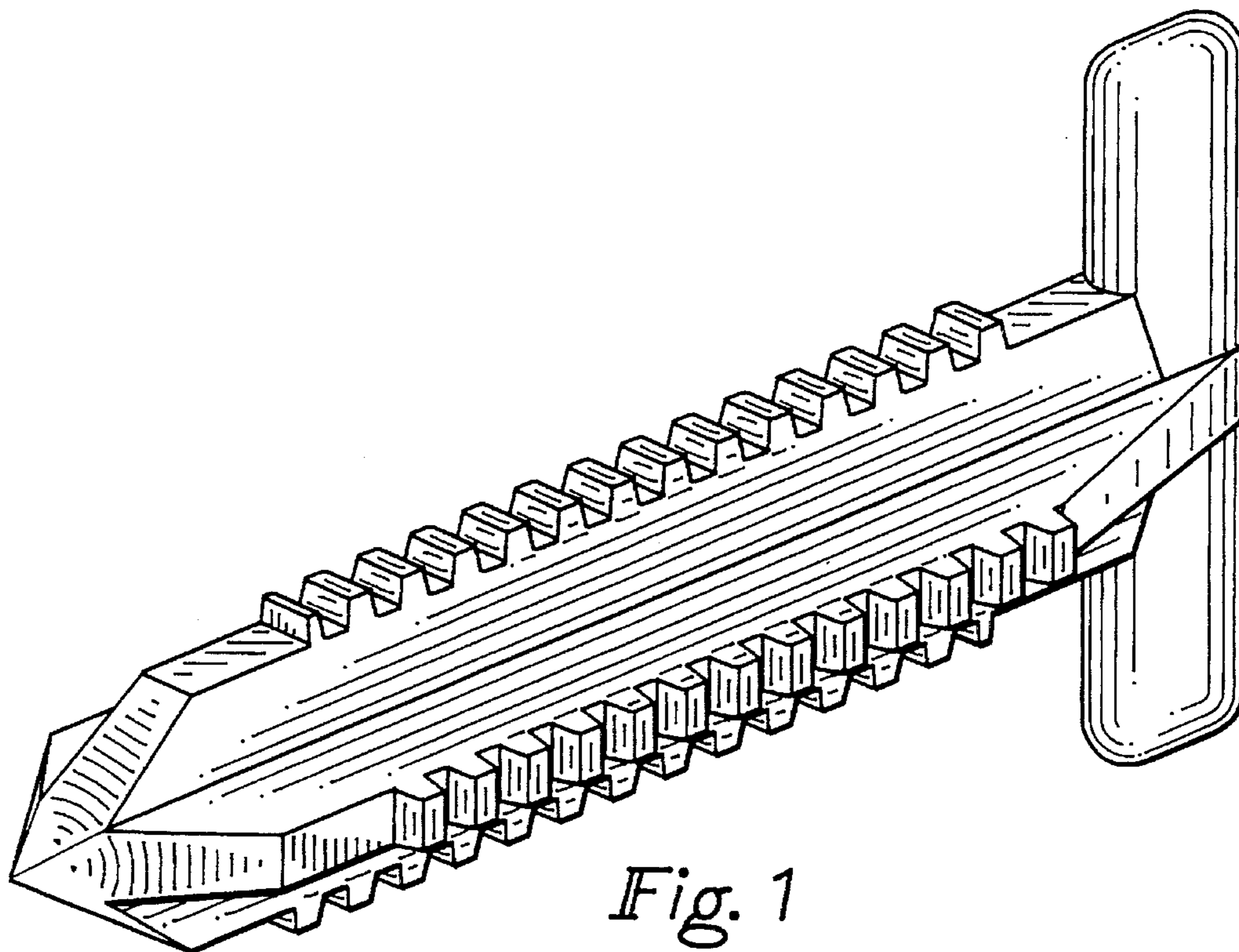


Fig. 1

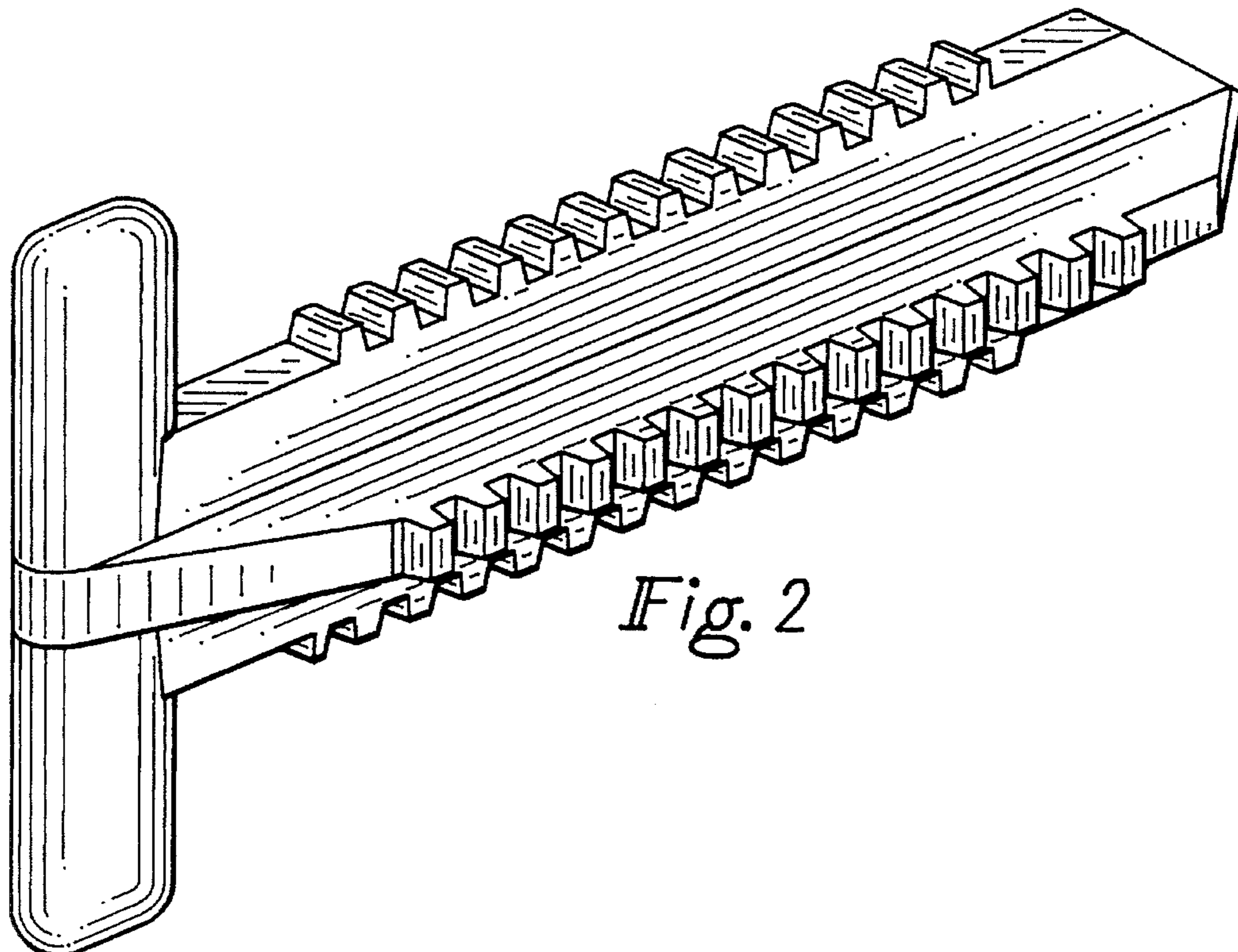
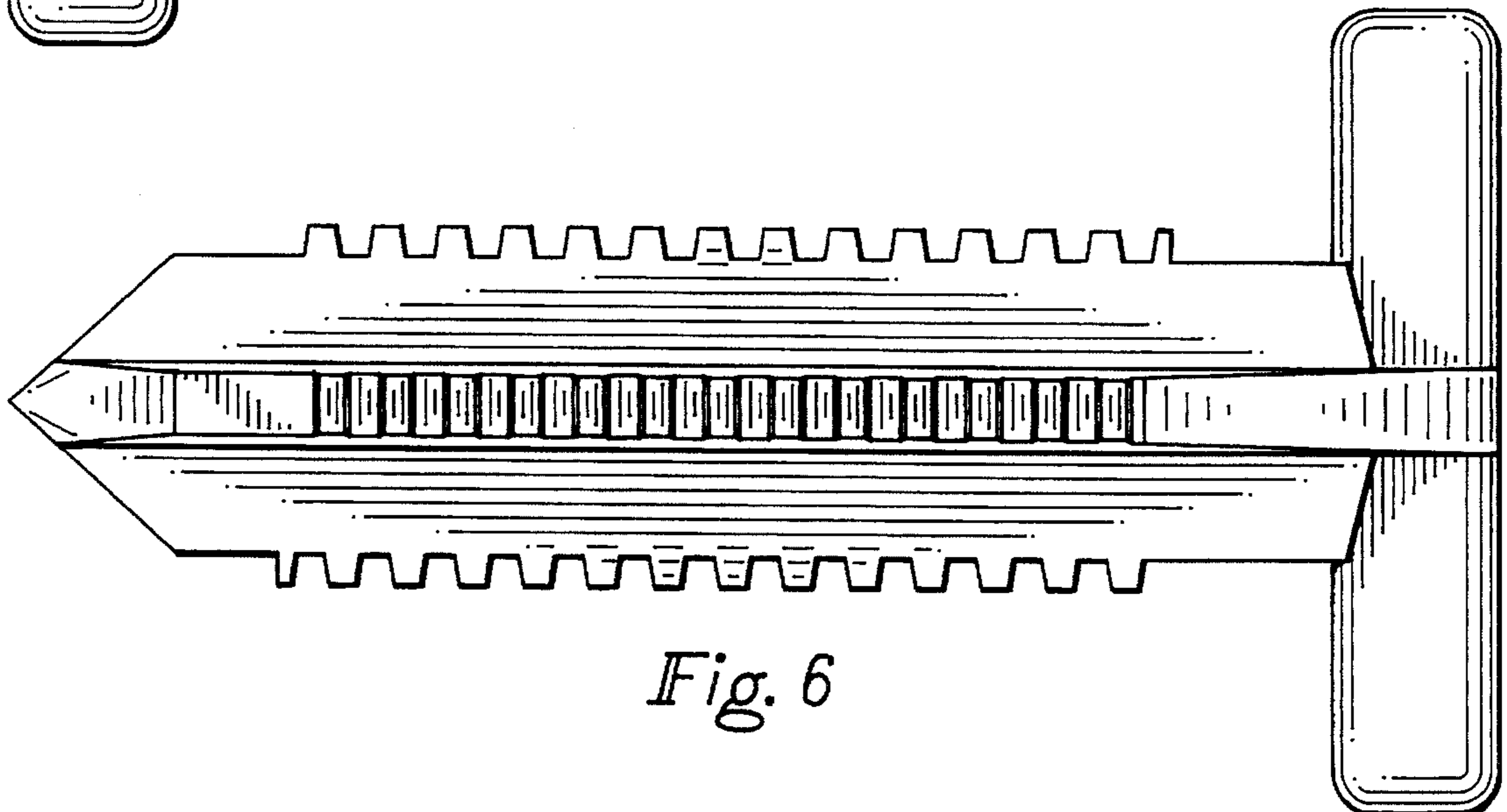
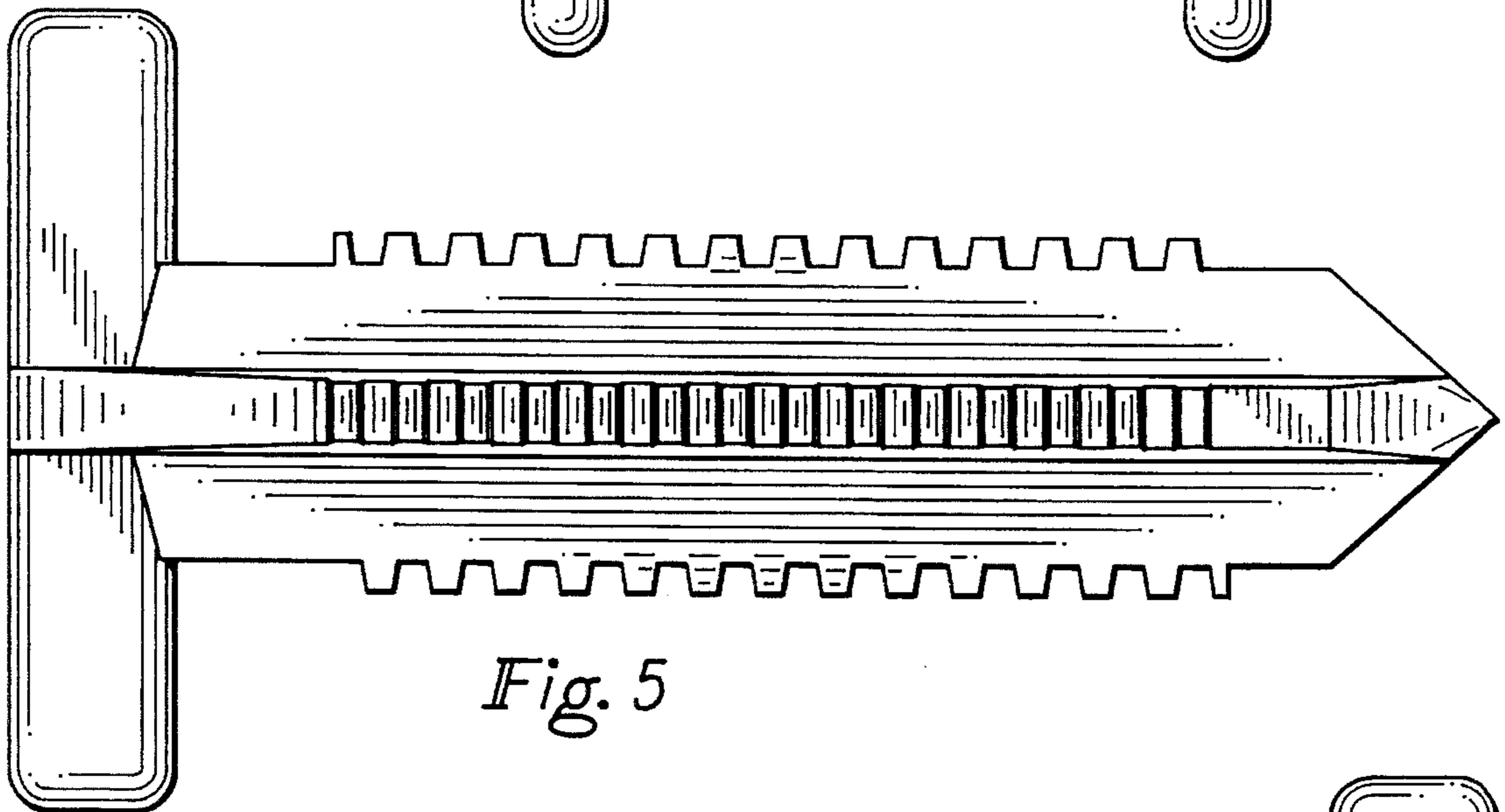
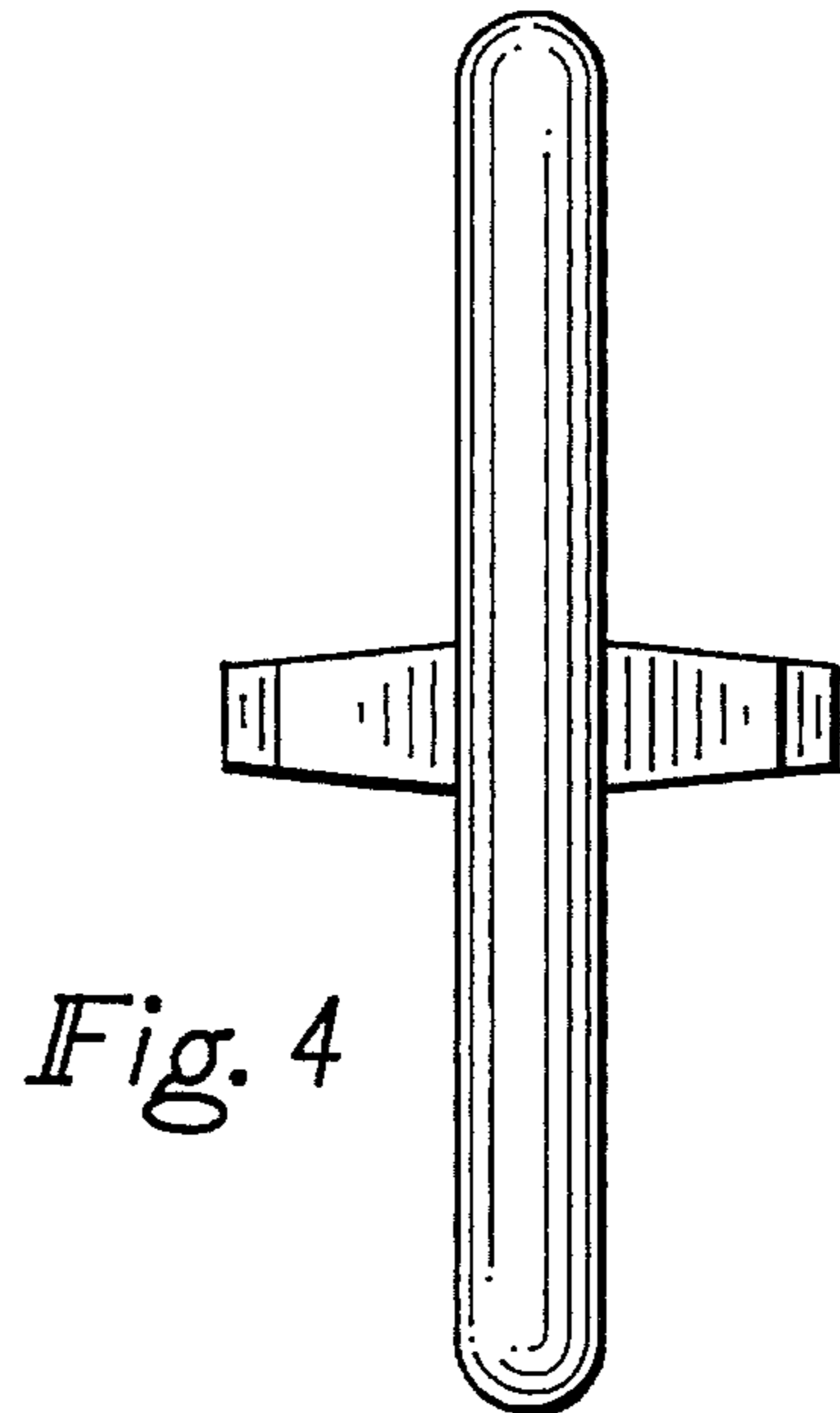
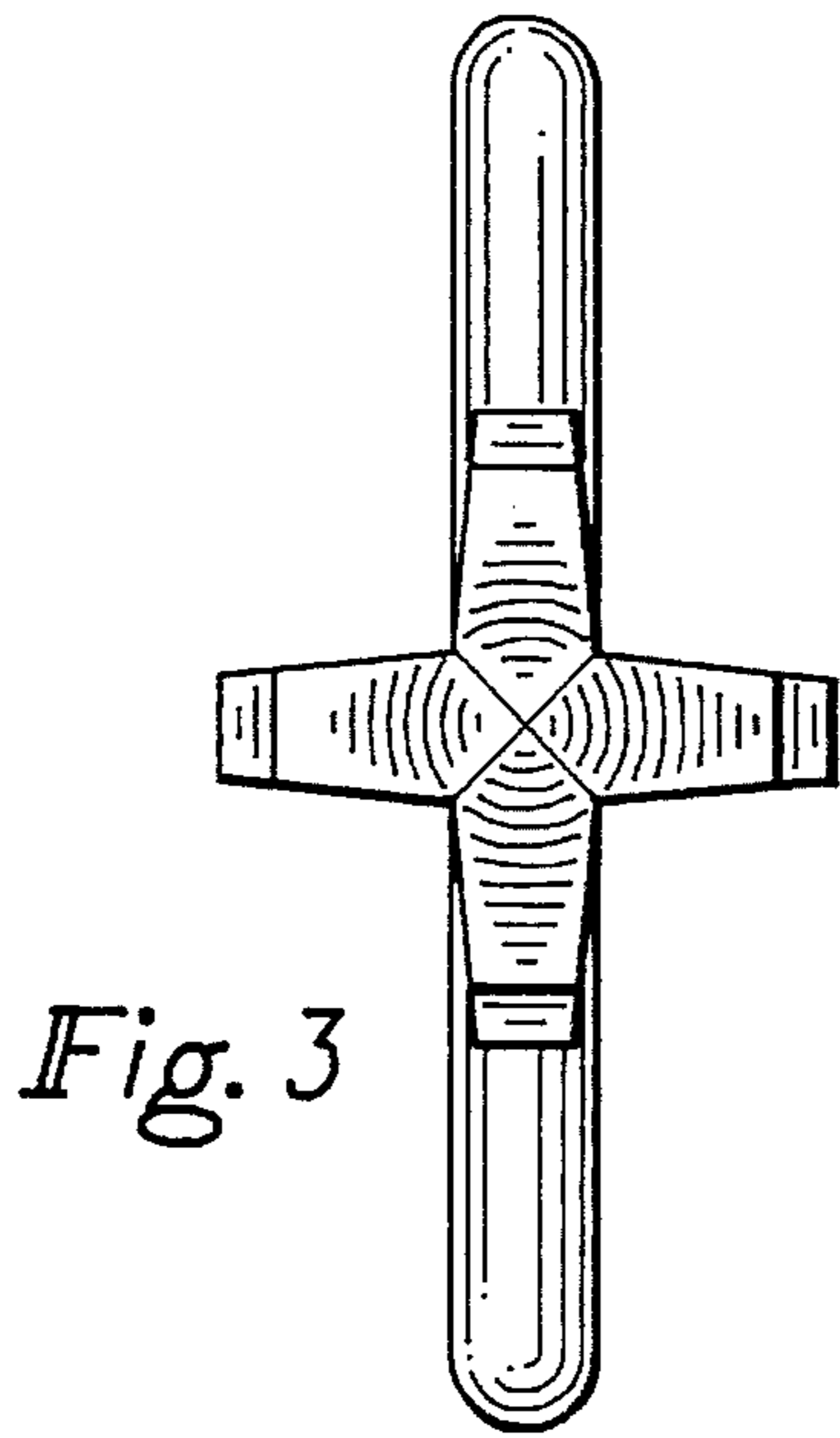


Fig. 2



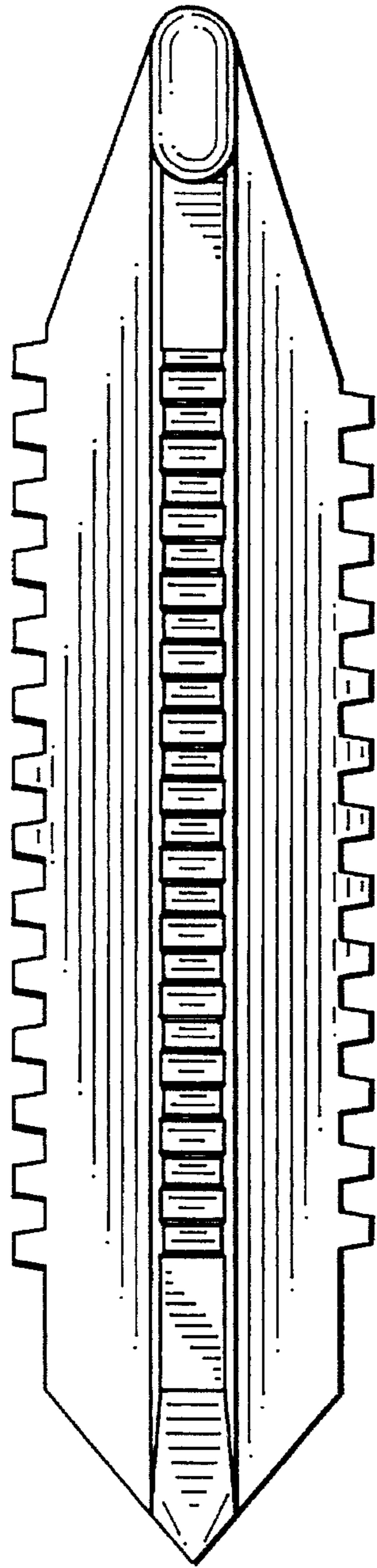


Fig. 7

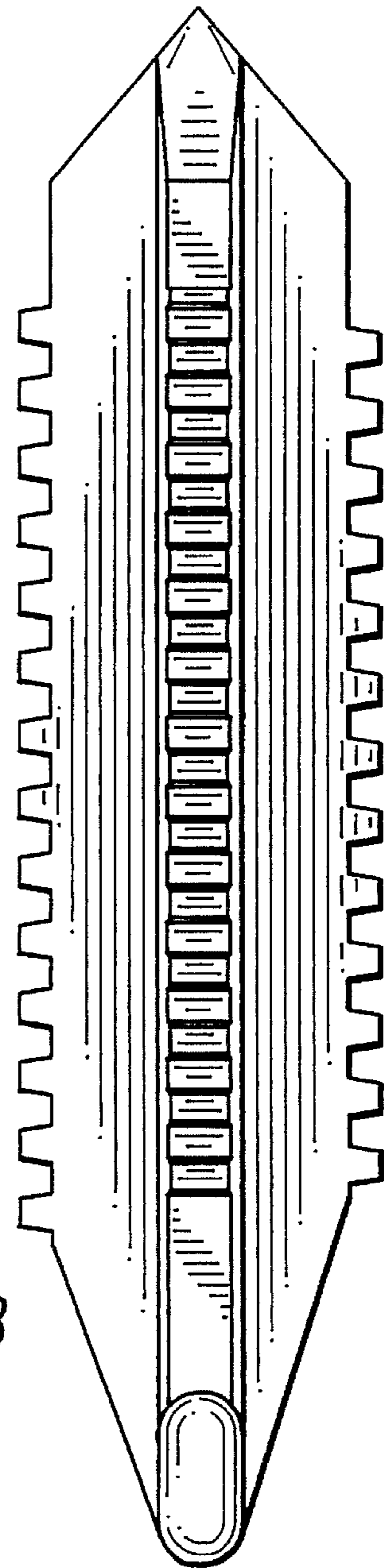


Fig. 8