



US00D367414S

# United States Patent [19] Chi

[11] Patent Number: **Des. 367,414**

[45] Date of Patent: **\*\*Feb. 27, 1996**

[54] **STAPLER**

[75] Inventor: **William H. N. Chi**, Taichung Hsien, Taiwan

[73] Assignee: **Stanley-Bostitch, Inc.**, East Greenwich, R.I.; a part interest

[\*\*] Term: **14 Years**

[21] Appl. No.: **34,971**

[22] Filed: **Feb. 16, 1995**

[52] U.S. Cl. .... **D8/50**

[58] Field of Search ..... D8/49, 50; D19/72;  
227/127, 128, 131, 132, 134

[56] **References Cited**

**U.S. PATENT DOCUMENTS**

D. 264,925	6/1982	Bass et al. ....	D8/50
D. 319,563	9/1991	Rosenblad ....	D8/50
D. 329,790	9/1992	Chi ....	D8/50
D. 361,486	8/1995	Yang ....	D8/50
3,144,653	8/1964	Kohen ....	227/128

**FOREIGN PATENT DOCUMENTS**

2229129 9/1990 United Kingdom ..... 227/134

**OTHER PUBLICATIONS**

U.S. Gov't Office & Furnishing Supply Catalog, p. 309 (Item No. 113).

*Primary Examiner*—Ted Shooman

*Assistant Examiner*—Adir Aronovich

*Attorney, Agent, or Firm*—Peterson, Wicks, Nemer & Kamrath

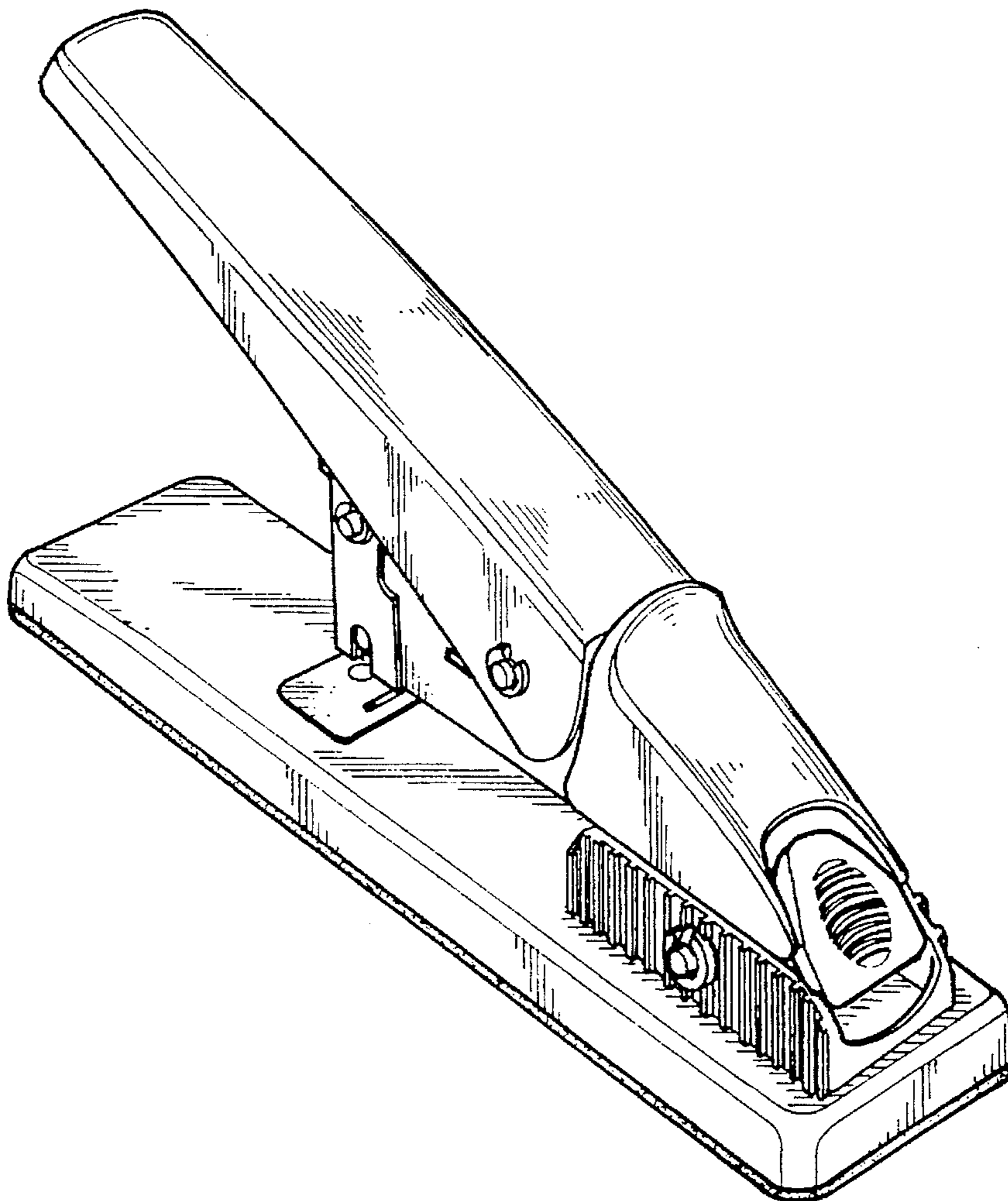
[57] **CLAIM**

The ornamental design for a stapler, as shown and described.

**DESCRIPTION**

FIG. 1 is a front-left-top perspective view of a stapler; FIG. 2 is a front elevational view thereof; FIG. 3 is a rear elevational view thereof; FIG. 4 is a left elevational view thereof; FIG. 5 is a right elevational view thereof; FIG. 6 is a top plan view thereof; and, FIG. 7 is a bottom plan view thereof.

**1 Claim, 4 Drawing Sheets**



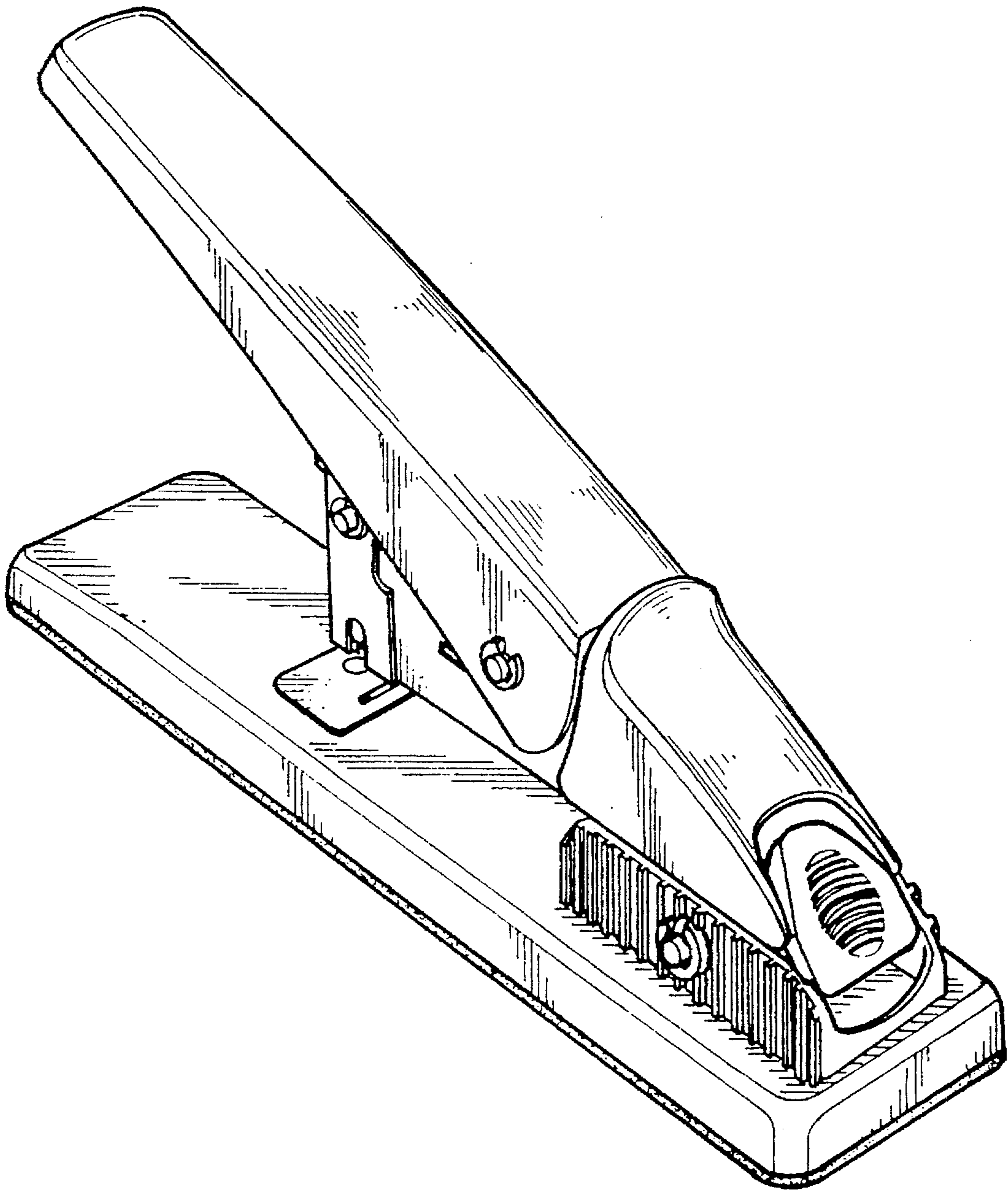


FIG. 1

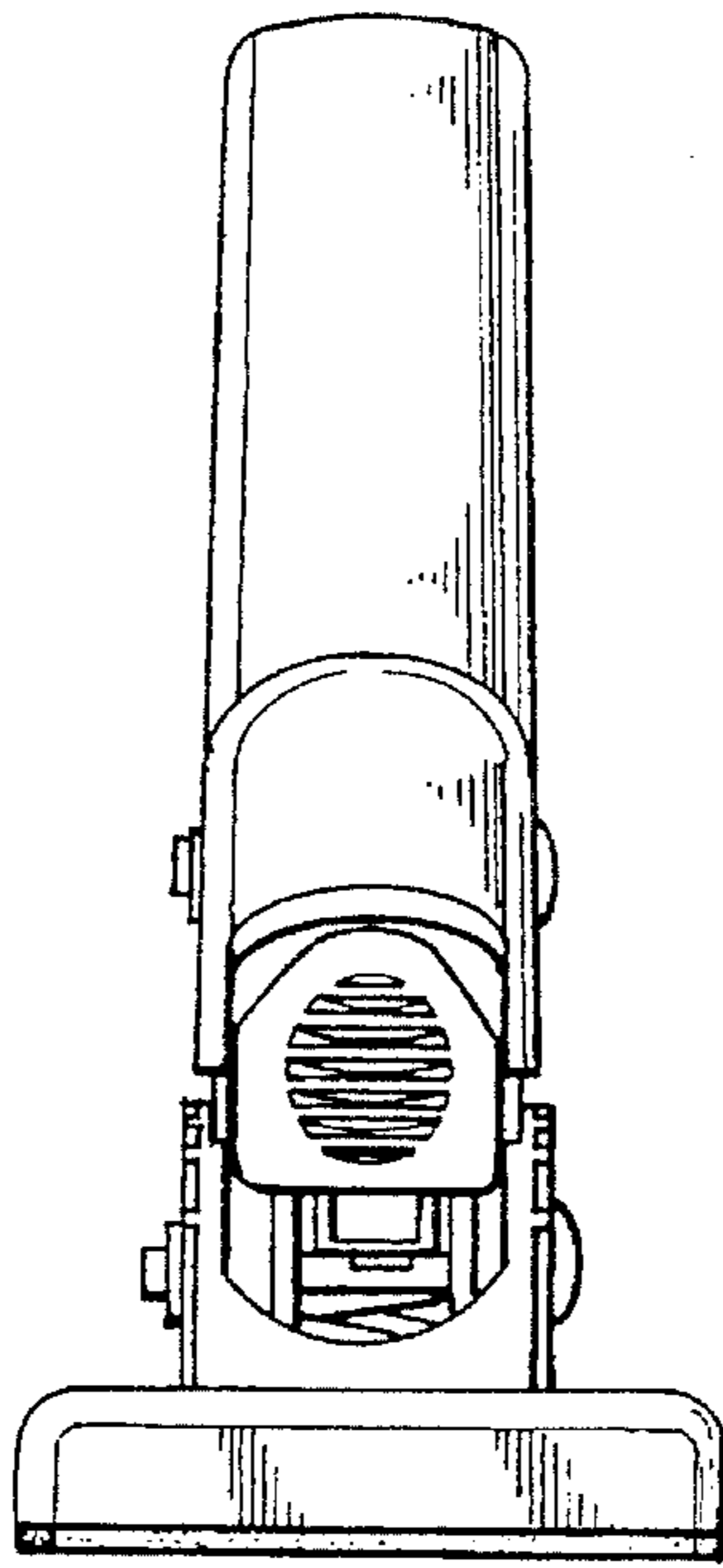


FIG. 2

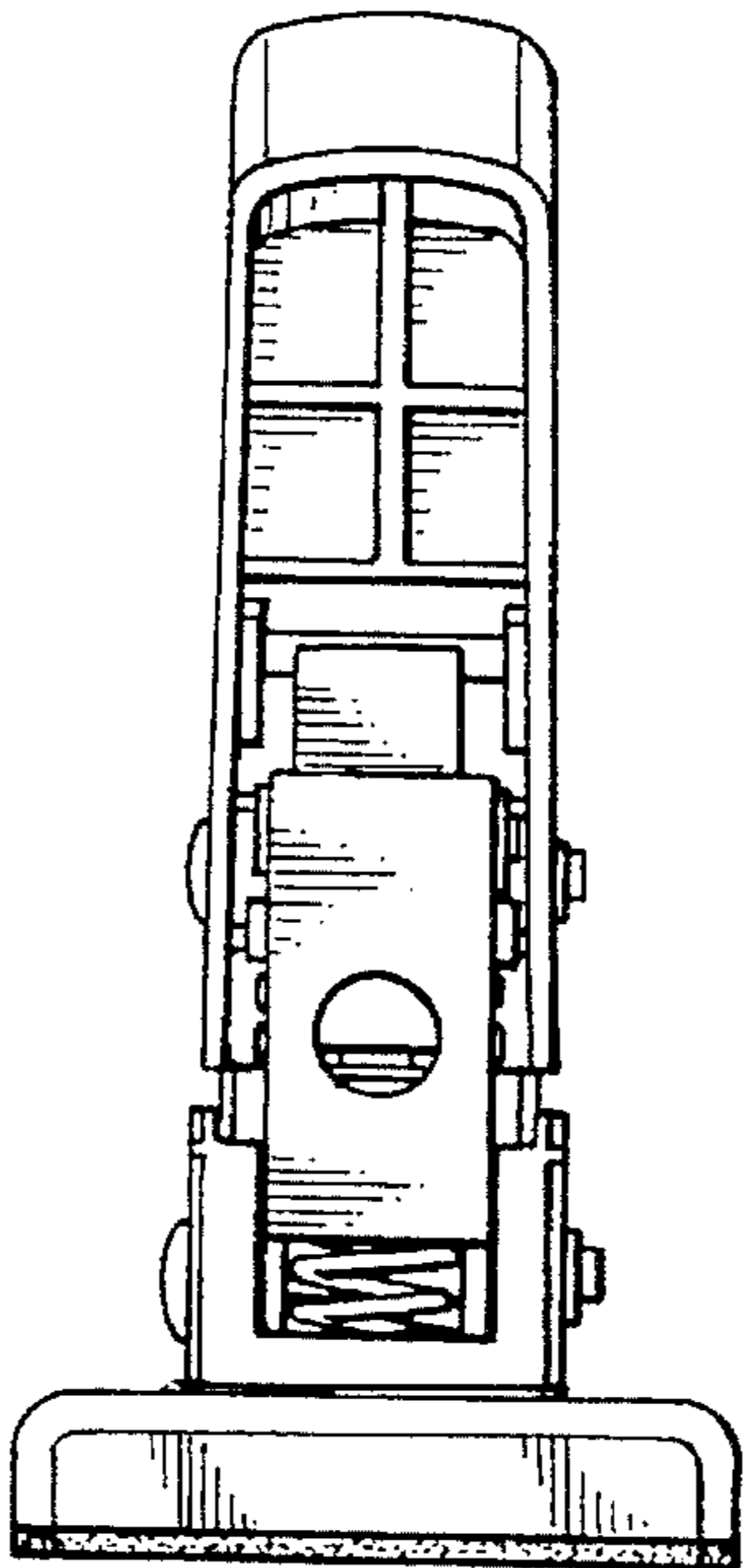


FIG. 3

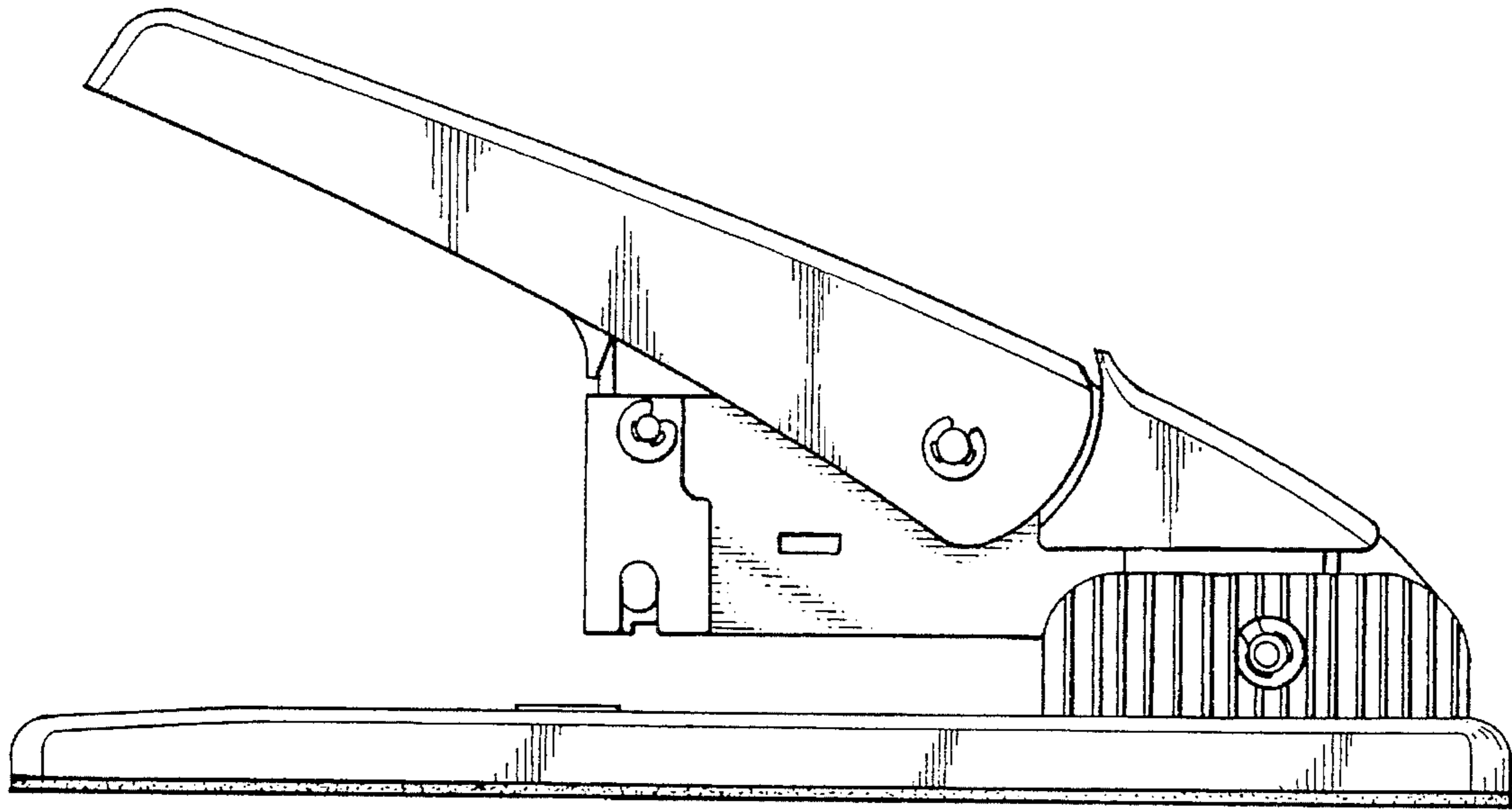


FIG. 4

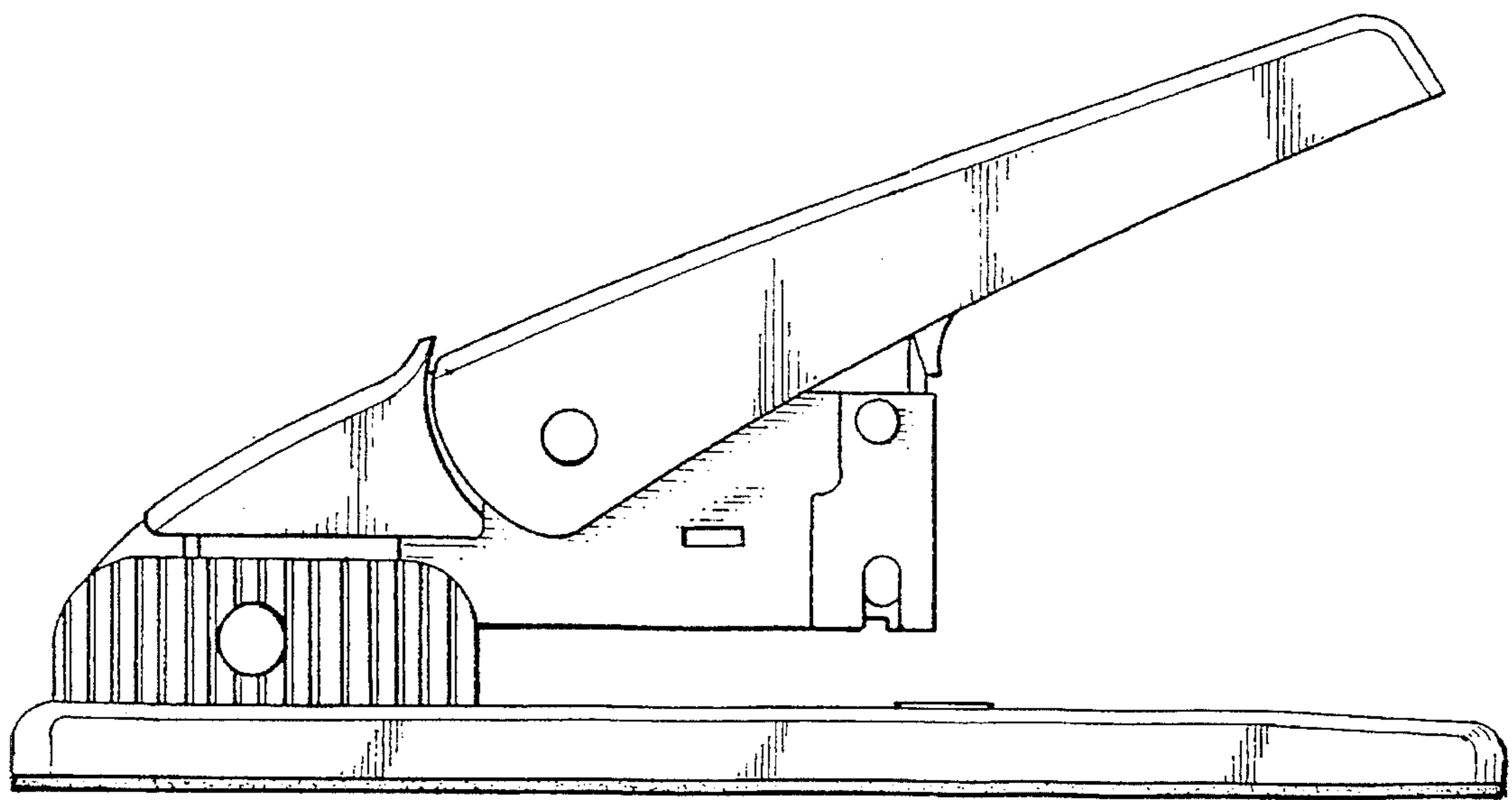


FIG. 5



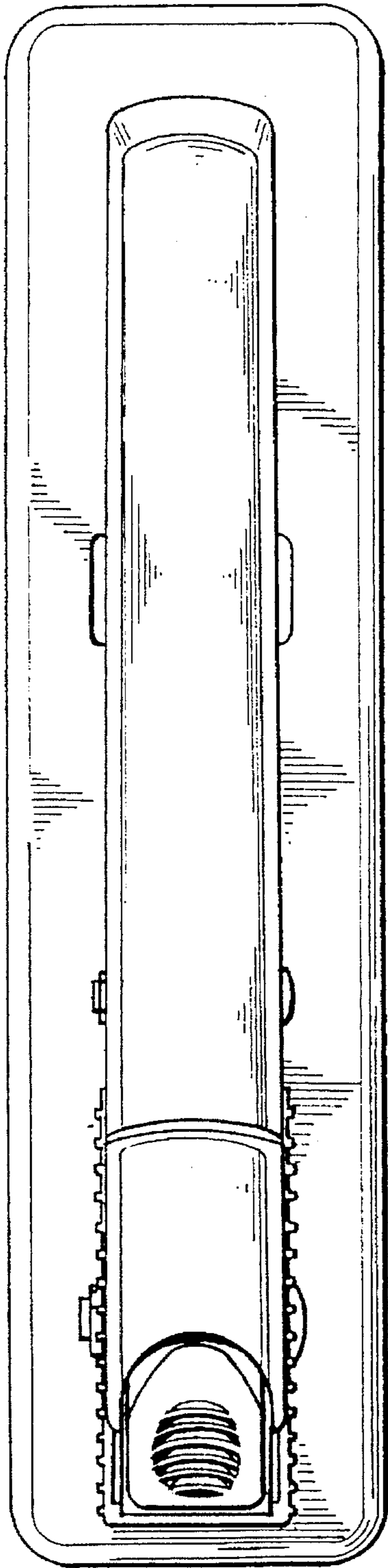


FIG. 6

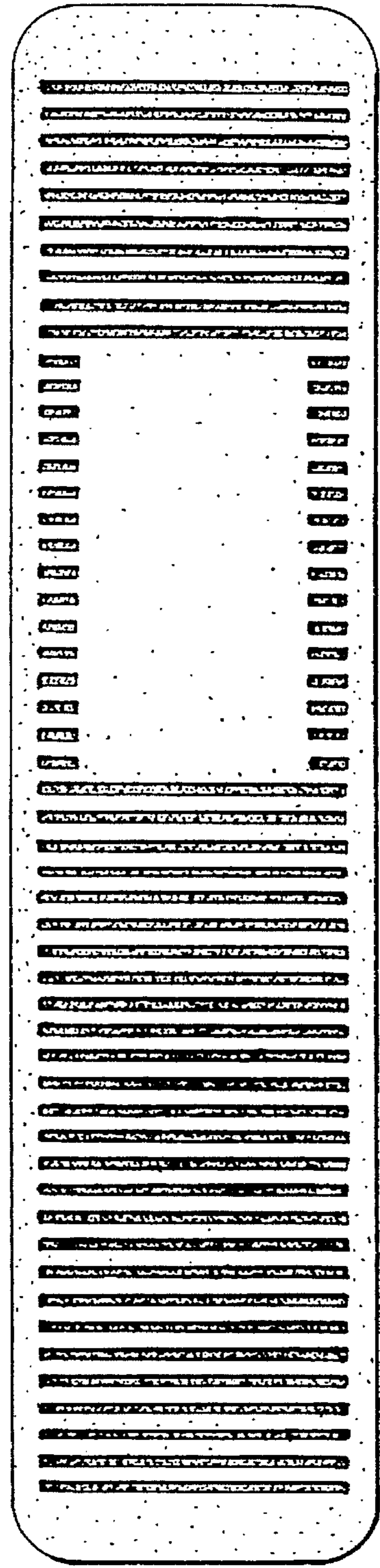


FIG. 7