



US00D367413S

United States Patent [19]

Ballin

[11] Patent Number: **Des. 367,413**

[45] Date of Patent: ****Feb. 27, 1996**

[54] **COMBINED SHOT GLASS AND BOTTLE OPENER**

1,168,027 1/1916 Nirdlinger D10/46.2
3,527,270 9/1970 Weil D10/46.2

[76] Inventor: **Scott Ballin**, 228 W. 71st St., New York, N.Y. 10023

[**] Term: **14 Years**

[21] Appl. No.: **34,694**

[22] Filed: **Feb. 10, 1995**

[52] U.S. Cl. **D8/34; D7/507; D7/523; D10/46.2**

[58] **Field of Search** D8/18, 33, 34, D8/40, 41-43, 37; D10/46.2, 46.3; 81/3.09, 3.55, 3.57; D7/509, 507, 511, 523; D11/152, 153

[56] **References Cited**

U.S. PATENT DOCUMENTS

D. 158,993	6/1950	Mondy	D8/34
D. 223,704	5/1972	Cheladze	D7/509
D. 268,806	5/1983	Love	D8/37
D. 278,405	4/1985	Birchenall	D8/34
D. 299,624	1/1989	Rothman et al.	D11/152

OTHER PUBLICATIONS

The Gift and Art Buyer, Sep. 1946 p. 48.

Primary Examiner—Ted Shooman

Assistant Examiner—Adir Aronovich

Attorney, Agent, or Firm—Cohen, Pontani, Lieberman, Pavane

[57] **CLAIM**

The ornamental design for a combined shot glass and bottle opener, as shown and described.

DESCRIPTION

FIG. 1 is a top, front perspective view of a combined shot glass and bottle opener showing my new design; FIG. 2 is a bottom front, perspective view thereof; FIG. 3 is a top plan view thereof; FIG. 4 is a front elevational view, the rear, left and right side elevational views being identical thereof; and, FIG. 5 is a bottom plan view thereof.

1 Claim, 1 Drawing Sheet

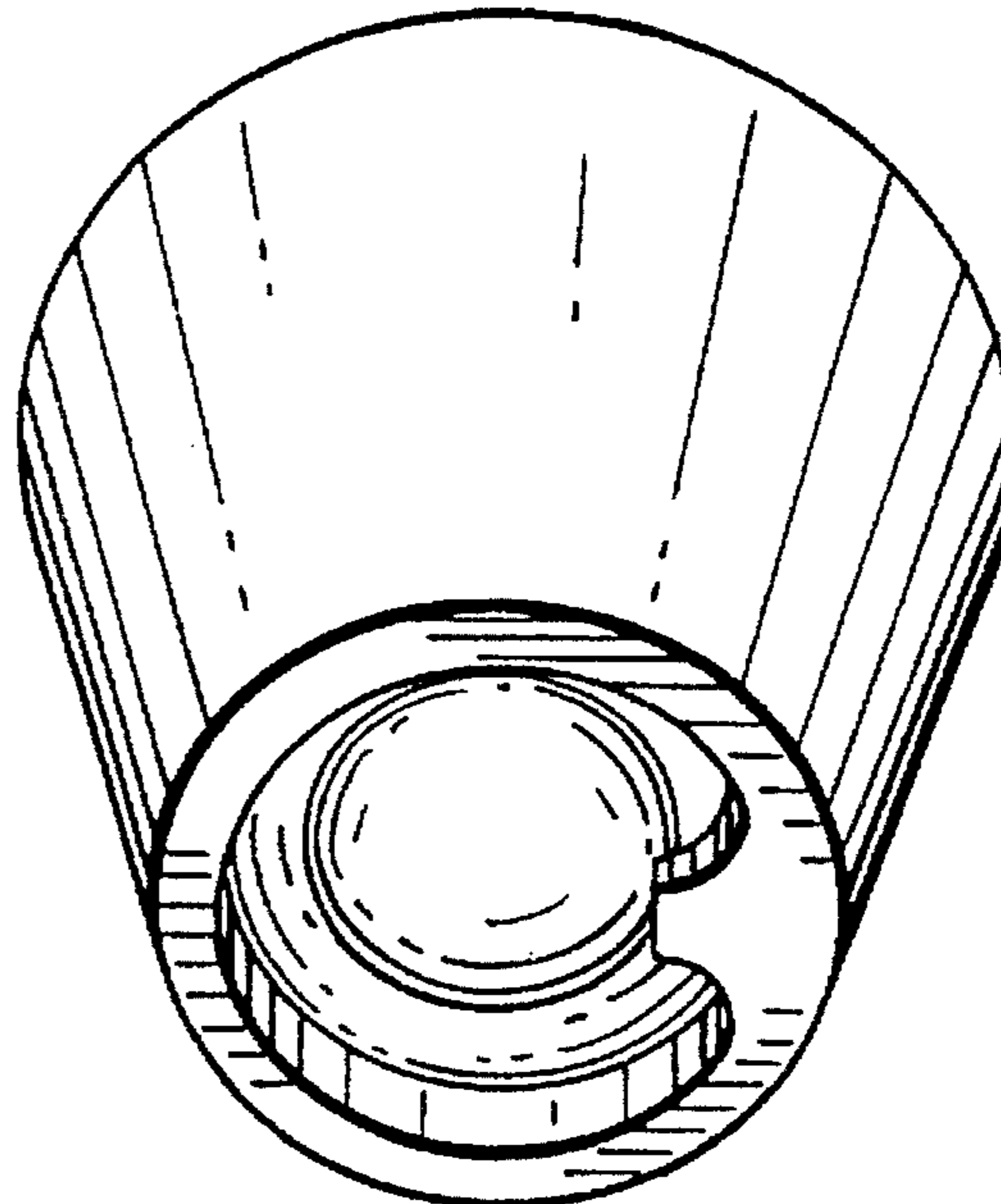
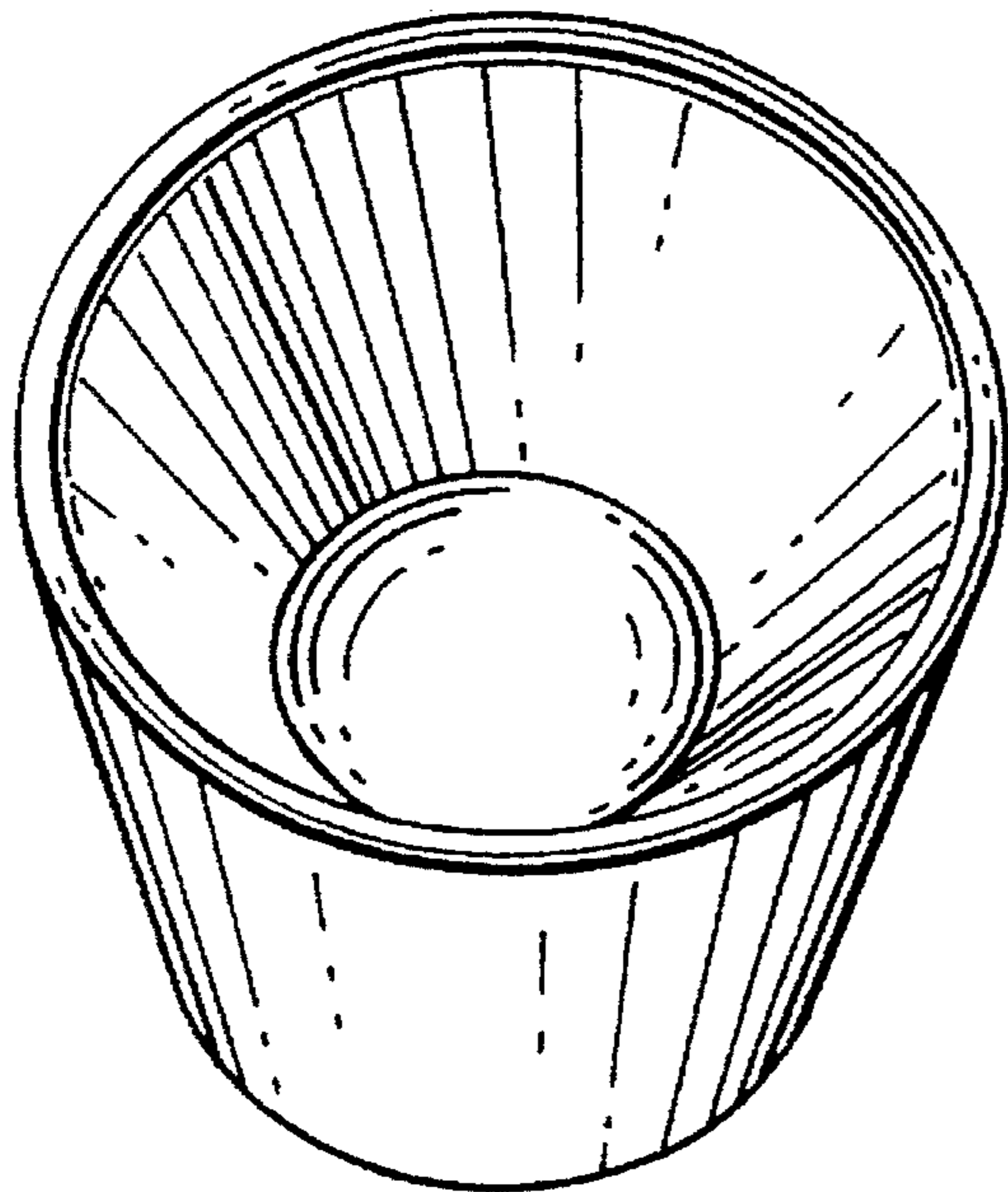


FIG. 1

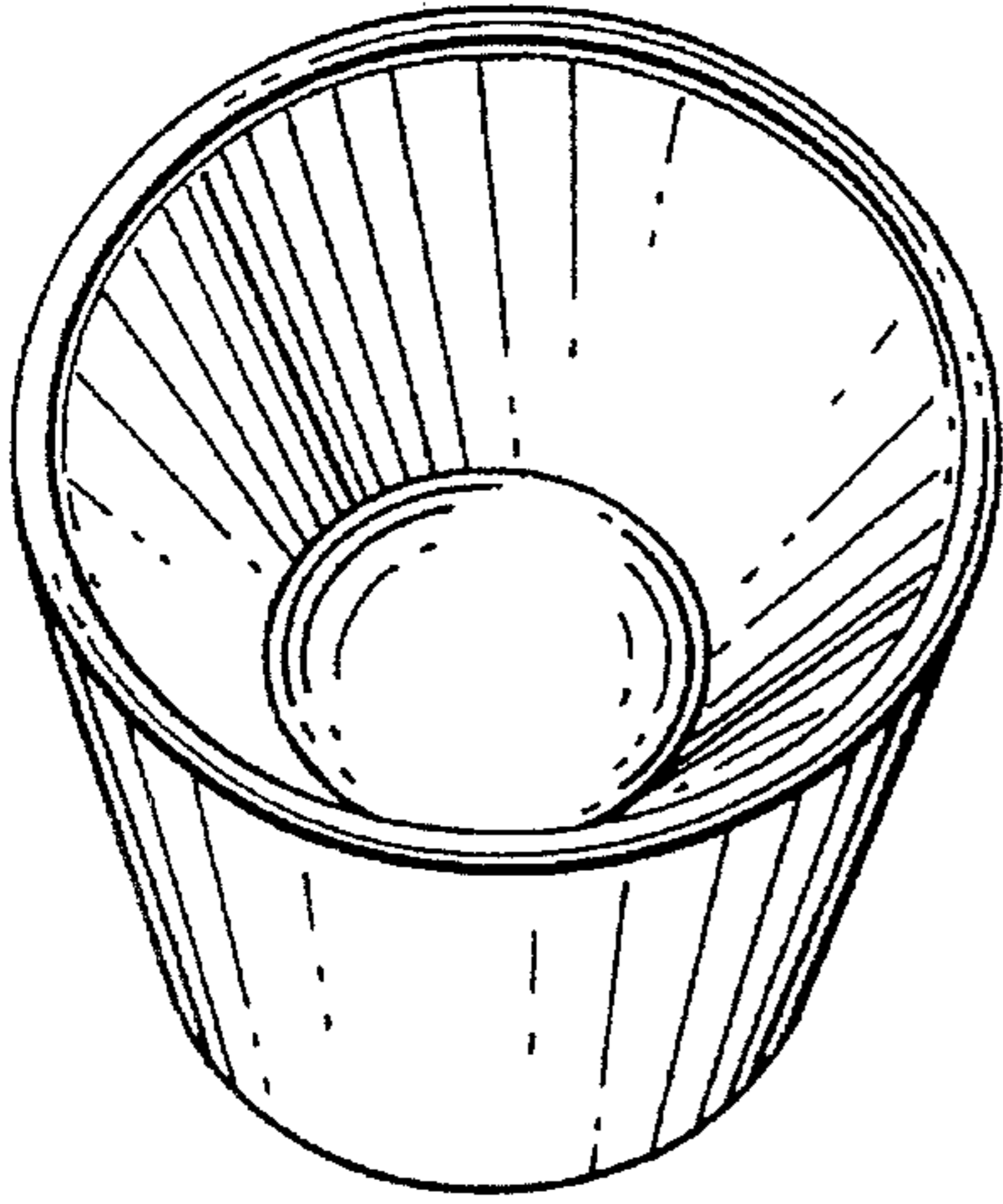


FIG. 3

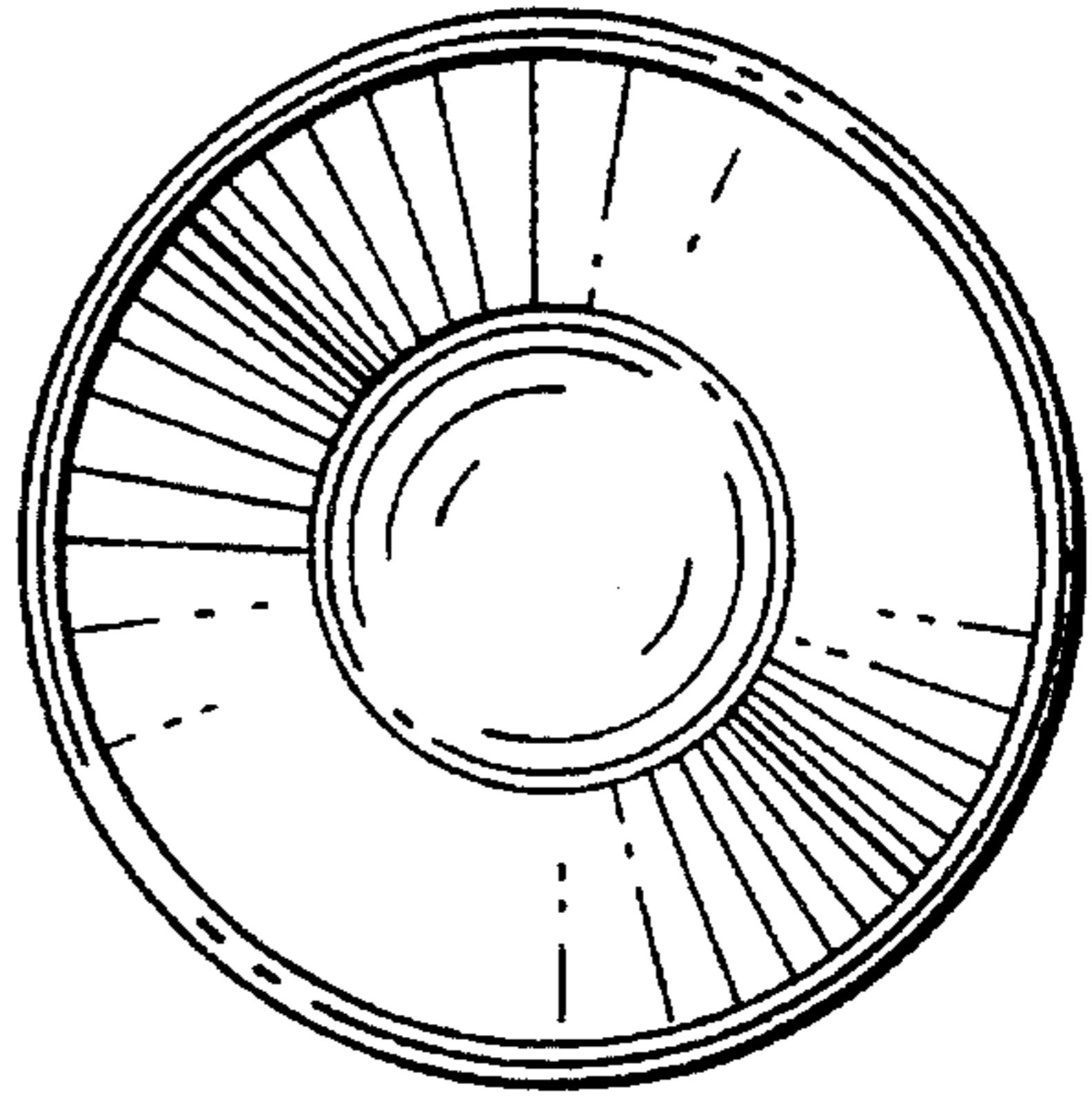


FIG. 4

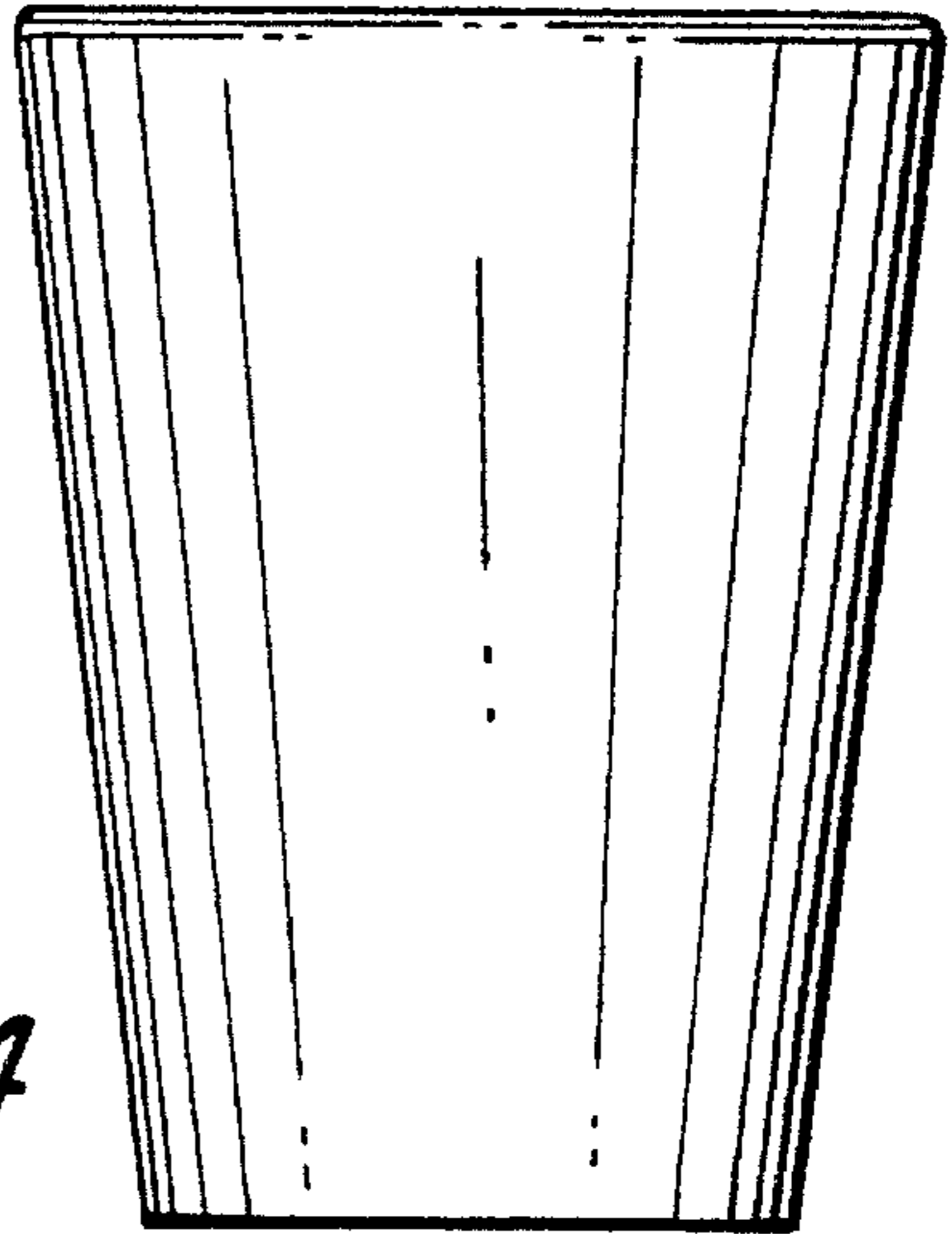


FIG. 2

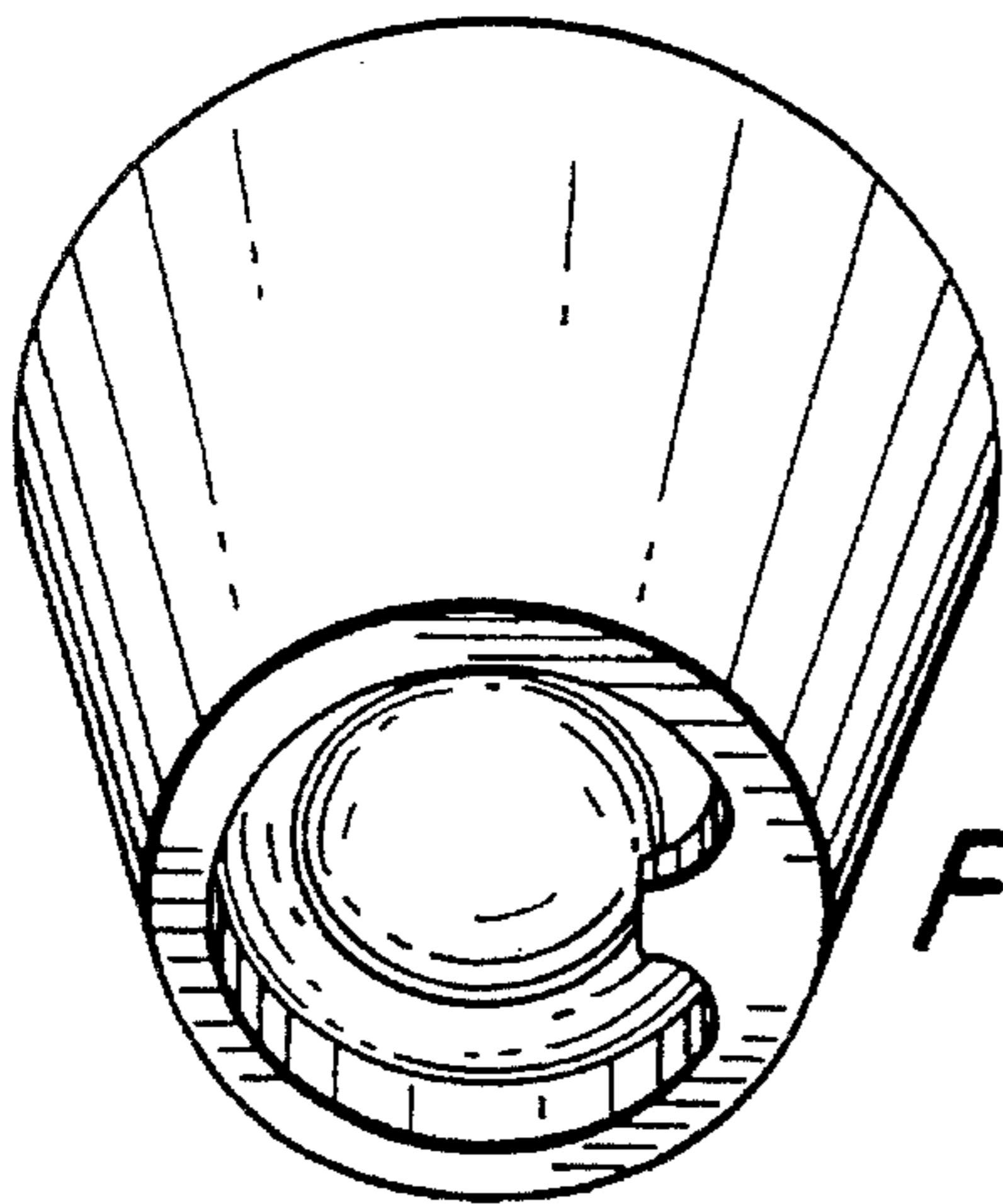


FIG. 5

