



US00D367409S

**United States Patent** [19]  
**Hunter**

[11] **Patent Number: Des. 367,409**  
[45] **Date of Patent: \*\*Feb. 27, 1996**

[54] **COMBINED FOOD AND BEVERAGE  
CONTAINER CARRIER AND ADVERTISER**

4,155,502 5/1979 Forte ..... 206/194 X

[76] Inventor: **Anthony L. Hunter**, 23151 Moulton  
Pkwy., Suite 126, Laguna Hills, Calif.  
92653

[\*\*] Term: **14 Years**

[21] Appl. No.: **37,815**

[22] Filed: **Apr. 20, 1995**

[52] U.S. Cl. .... **D7/706; D9/341; D9/344**

[58] **Field of Search** ..... D7/701-708; D9/341,  
D9/344, 346, 455; D20/10, 19; D3/304,  
307, 308-312; 206/142, 180-191, 194,  
198, 562; 229/117.14, 117.15, 120.14, 904;  
294/146, 164

[56] **References Cited**

**U.S. PATENT DOCUMENTS**

2,728,484	12/1956	Farrington .	
2,759,629	9/1956	Sargent .	
2,828,047	3/1958	Weiselberg .	
3,565,323	2/1971	Katzenmeyer .....	229/117.14
3,780,906	12/1973	Katzenmeyer .....	206/194
4,053,099	10/1977	Lock .	

**OTHER PUBLICATIONS**

Model of Beverage Container Carrier in public use at least  
by May 31, 1974.

*Primary Examiner*—Terry A. Wallace  
*Attorney, Agent, or Firm*—DeWitt M. Morgan; Kevin Lynn  
Wildenstein

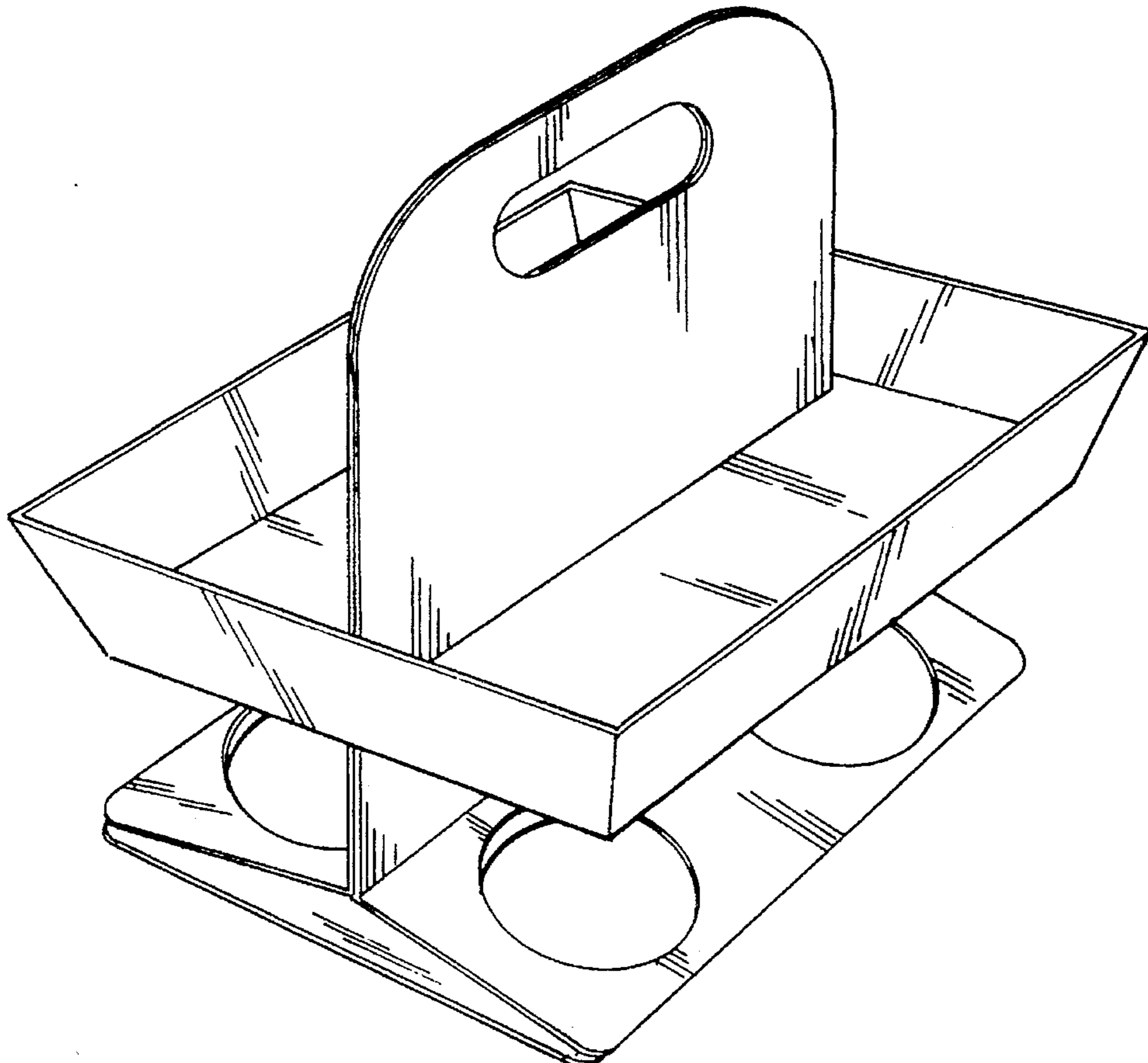
[57] **CLAIM**

The ornamental design for combined food and beverage  
container carrier and advertiser, as shown and described.

**DESCRIPTION**

FIG. 1 is a top plan view of a combined food and beverage  
container carrier and advertiser showing my new design;  
FIG. 2 is a side elevation view thereof, the opposite side  
being a mirror image;  
FIG. 3 is a front elevation view thereof, the opposite side  
being a mirror image;  
FIG. 4 is a bottom plan view thereof; and,  
FIG. 5 is a side perspective view thereof.  
The cup is shown in broken lines for illustrative purposes  
only and forms no part of the claimed design.

**1 Claim, 2 Drawing Sheets**



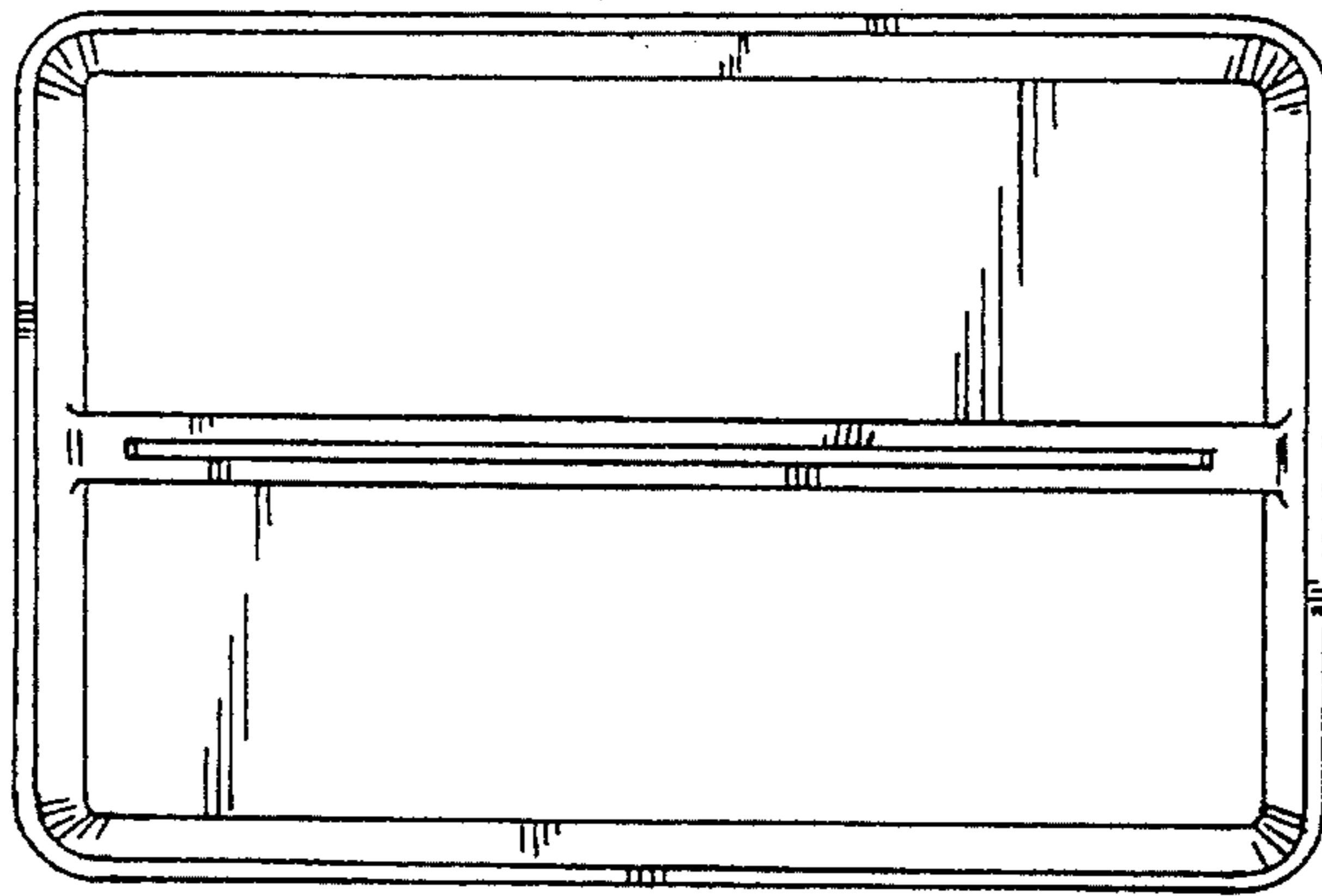


FIG - 1

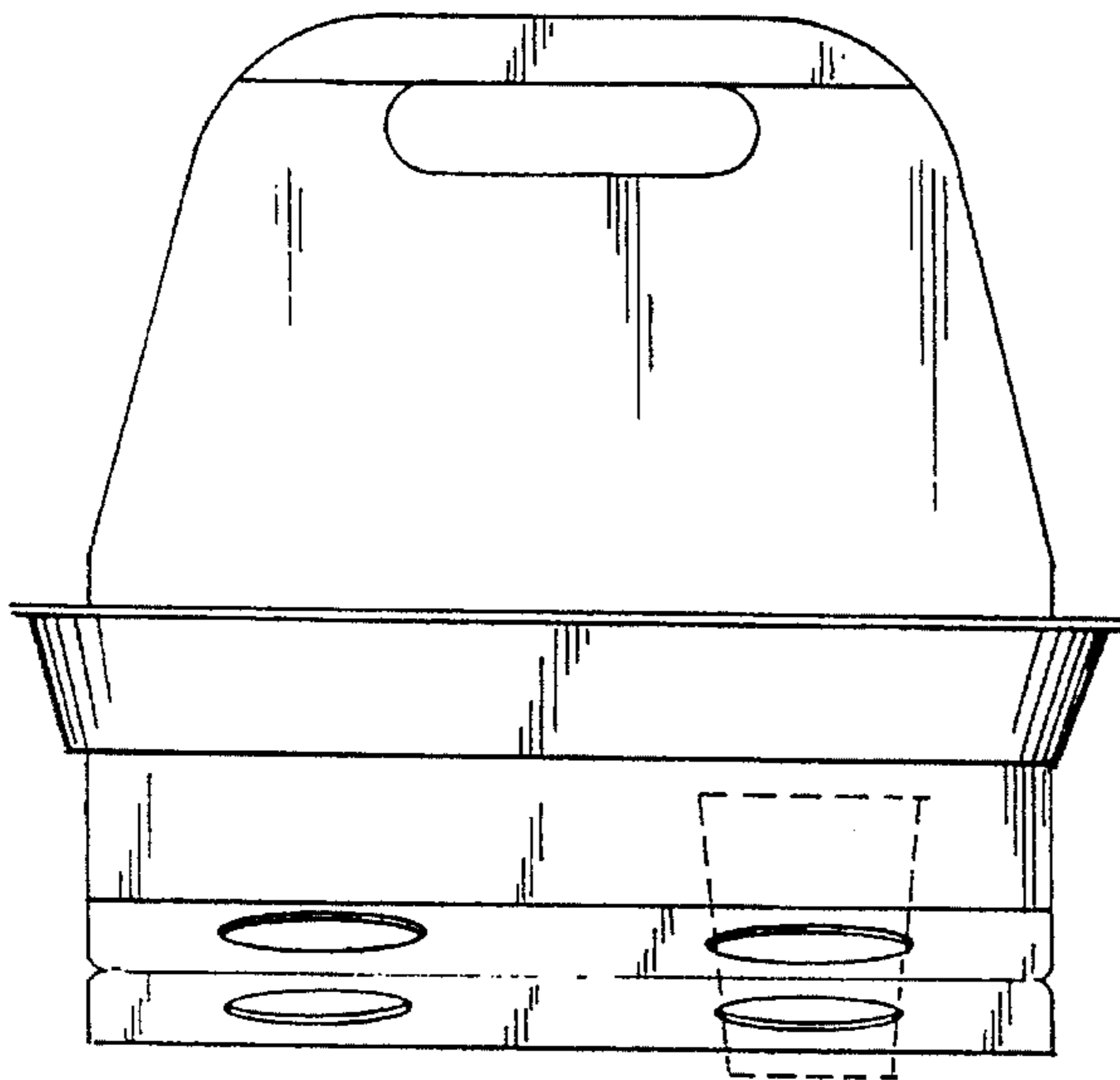


FIG - 2

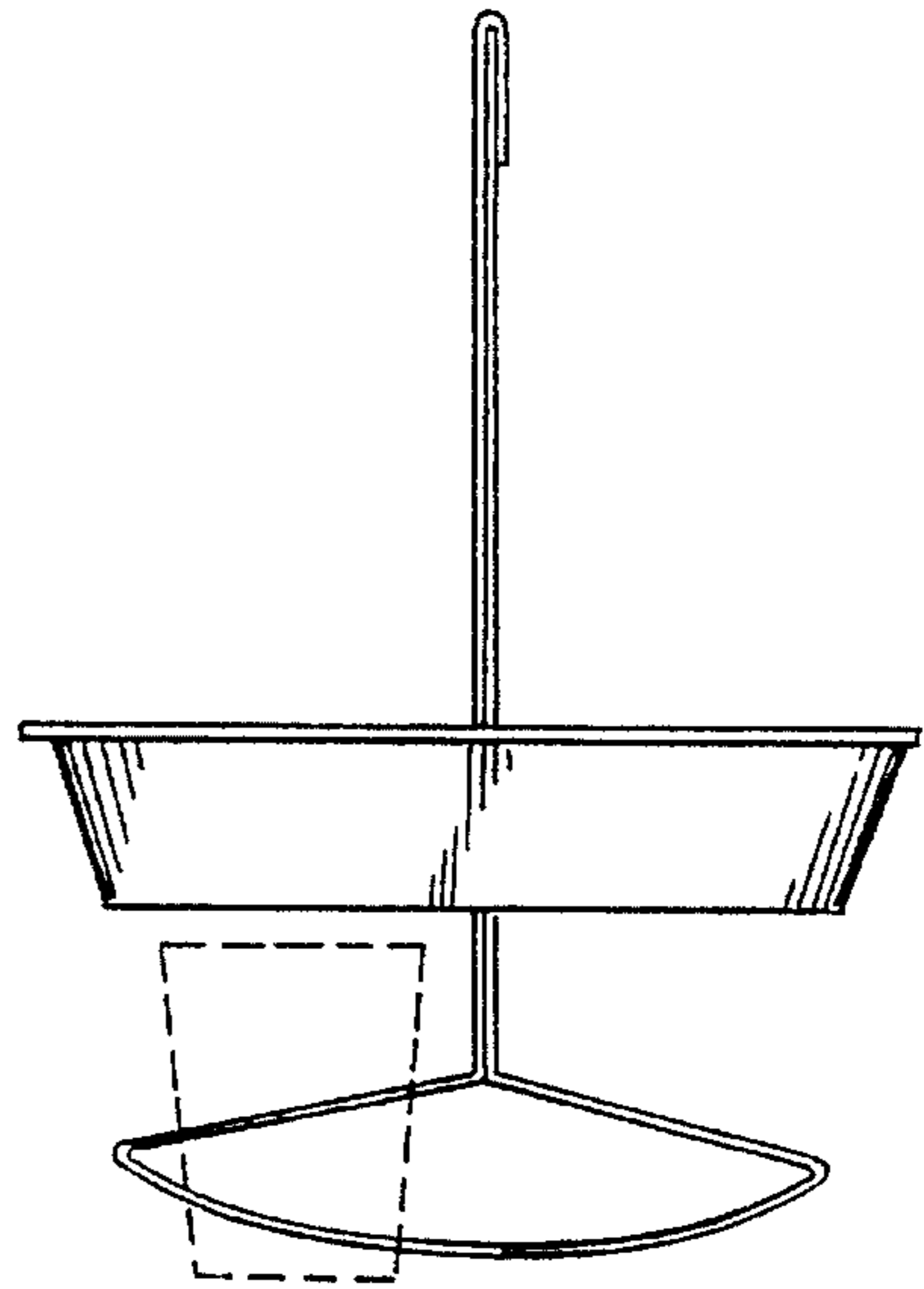


FIG - 3

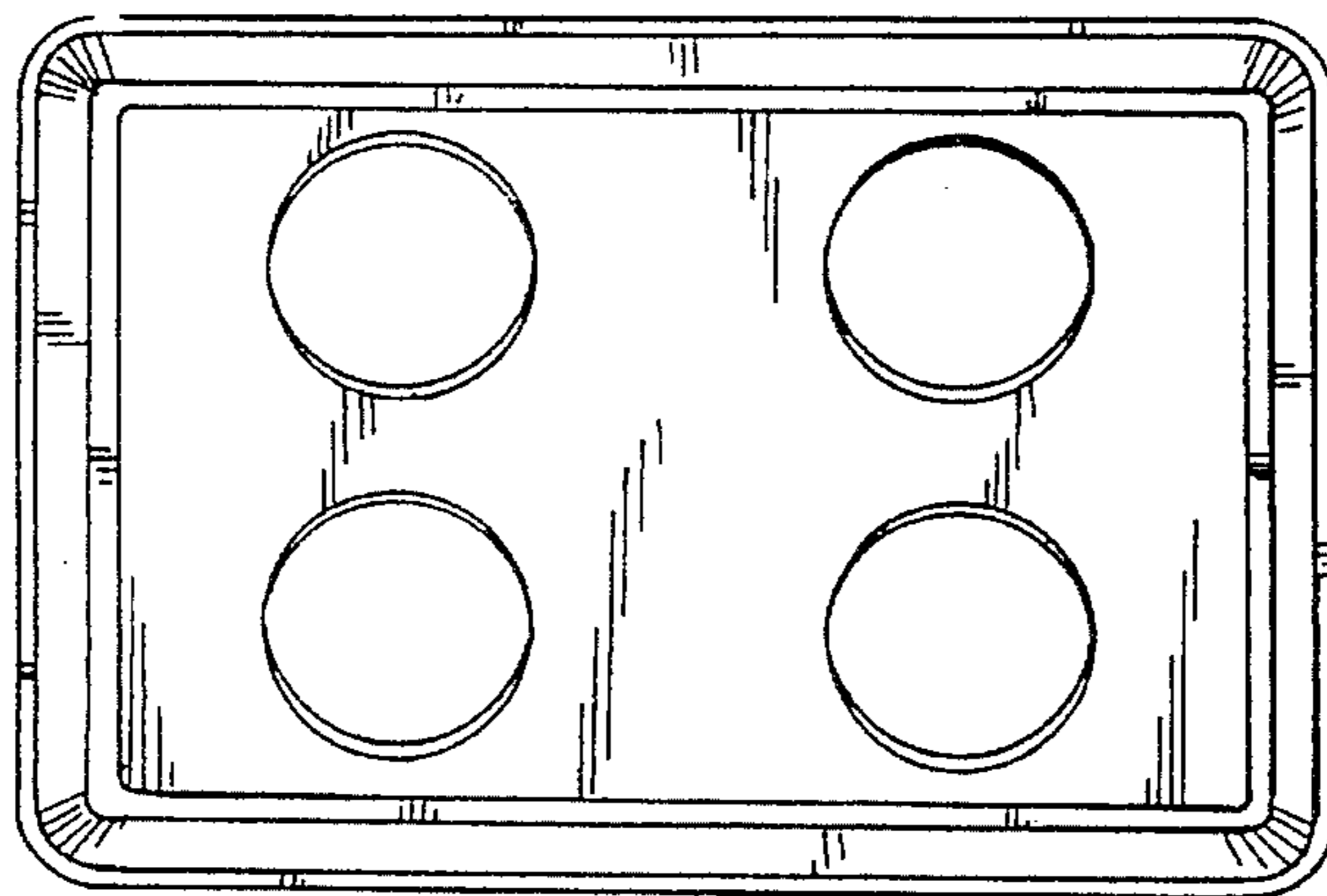


FIG - 4

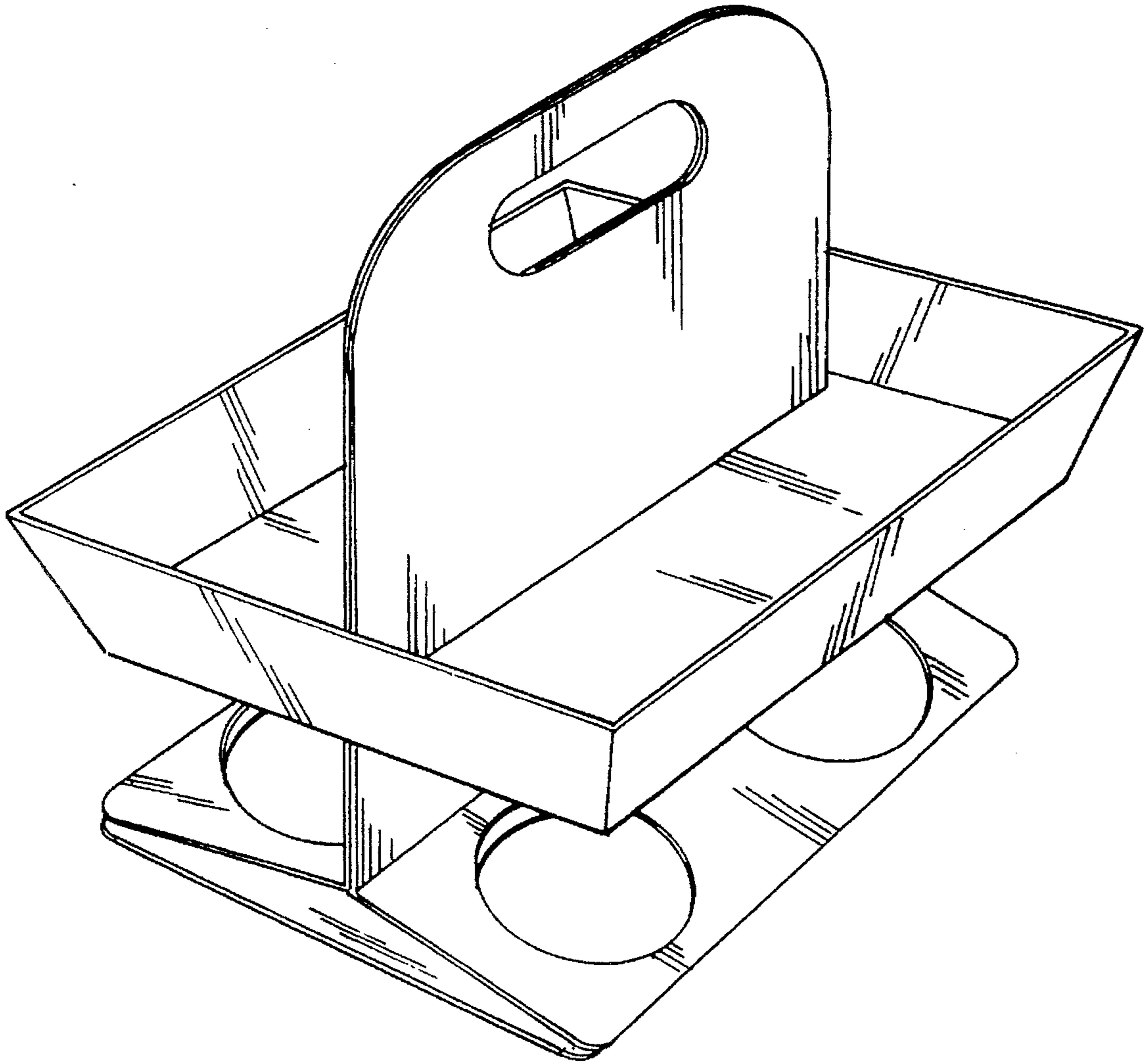


FIG - 5