



US00D367408S

United States Patent [19]

[11] Patent Number: **Des. 367,408**

Fordyce

[45] Date of Patent: ****Feb. 27, 1996**

[54] **ROTATABLE HOLDER FOR SMALL OBJECTS, ESPECIALLY BABY BOTTLES**

D. 310,940 10/1990 Kastanek .
D. 311,027 10/1990 Yuen D19/85 X
D. 336,039 6/1993 Tanaka et al. D9/428 X

[76] Inventor: **Debra Fordyce**, 108 N. 13th Pl.,
Lantana, Fla. 33462

FOREIGN PATENT DOCUMENTS

[**] Term: **14 Years**

1294250 10/1962 France .
117425 12/1929 Germany .

[21] Appl. No.: **30,107**

Primary Examiner—Terry A. Wallace
Attorney, Agent, or Firm—Dennis H. Lambert

[22] Filed: **Nov. 1, 1994**

[52] U.S. Cl. **D7/703**; D19/77; D19/85

[57] CLAIM

[58] Field of Search D3/273, 302; D7/701-708,
D7/637-641; D9/424, 428; D19/75, 77,
81, 85; 211/71, 74, 77, 78

The ornamental design for a rotatable holder for small objects, especially baby bottles, as shown and described.

DESCRIPTION

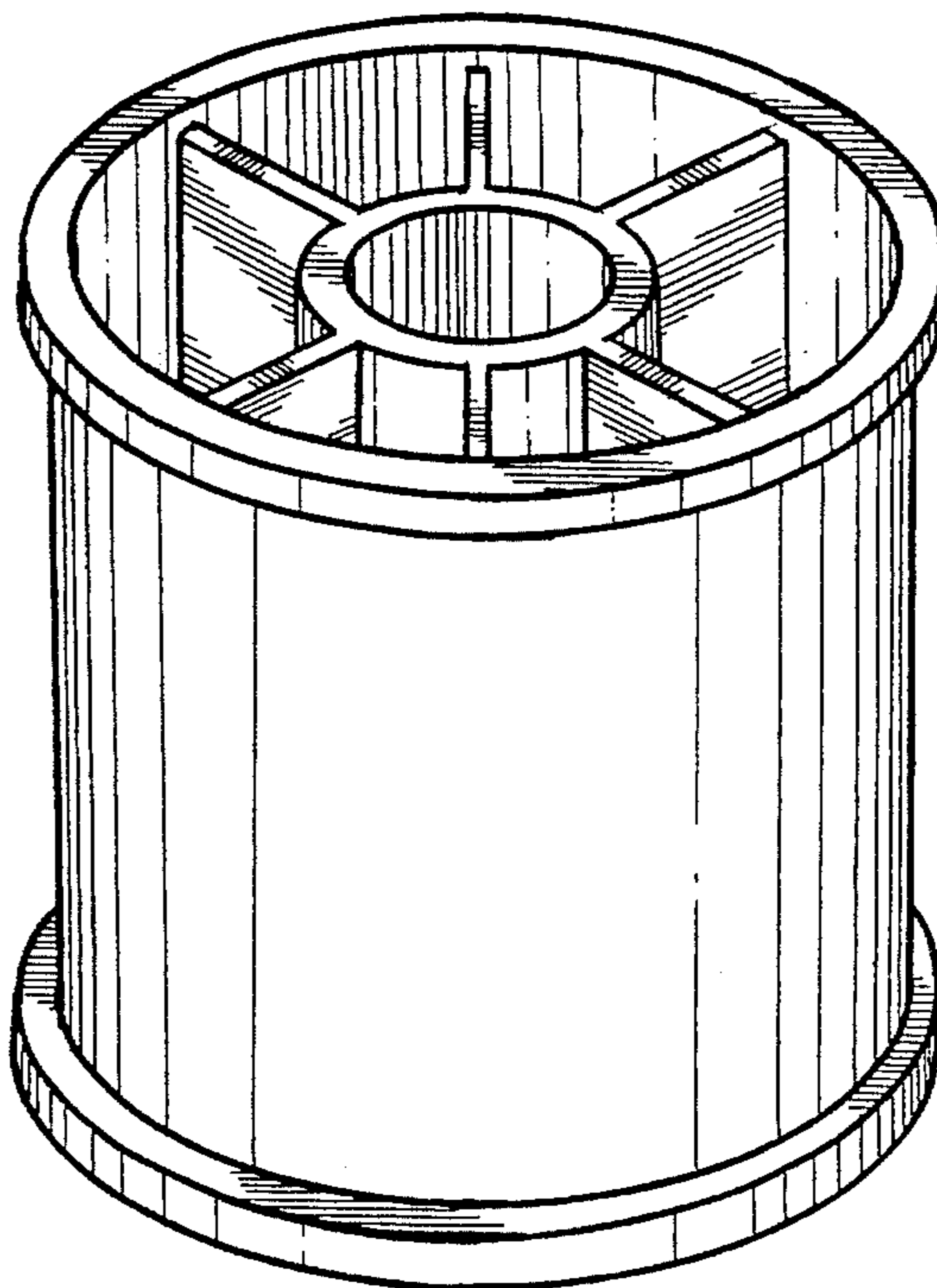
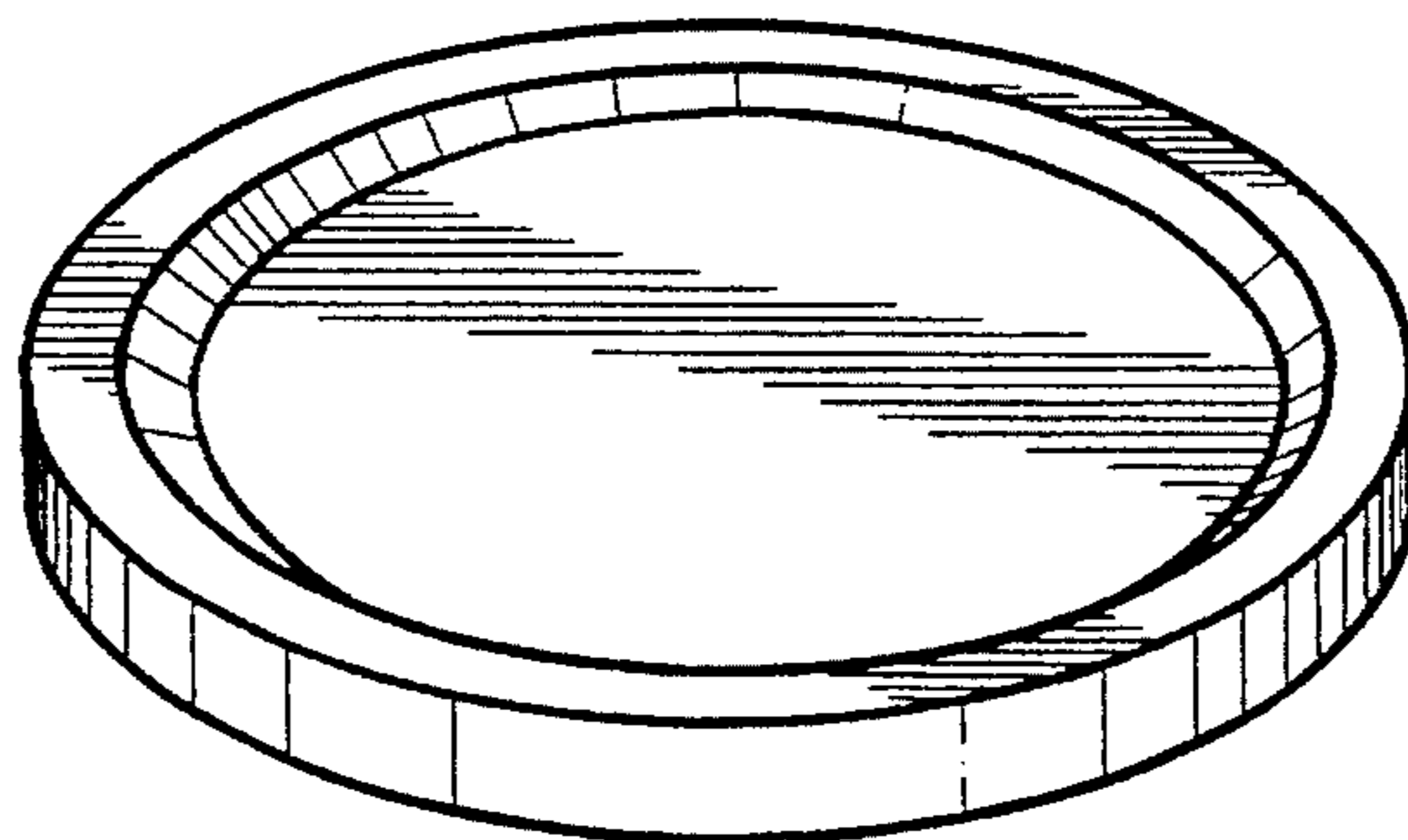
[56] References Cited

FIG. 1 is an exploded front, top, side perspective view of a rotatable holder for small objects, especially baby bottles showing my new design;
FIG. 2 is a side elevation view thereof in a closed position;
FIG. 3 is a top plan view thereof; and,
FIG. 4 is a bottom plan view thereof.

U.S. PATENT DOCUMENTS

D. 214,768 7/1969 Hillis D19/85 X
D. 248,201 6/1978 Kelley .
D. 260,207 8/1981 Whyte D6/469
D. 290,920 7/1987 Zaruba et al. D7/540 X
D. 297,897 10/1988 Stackhouse .

1 Claim, 2 Drawing Sheets



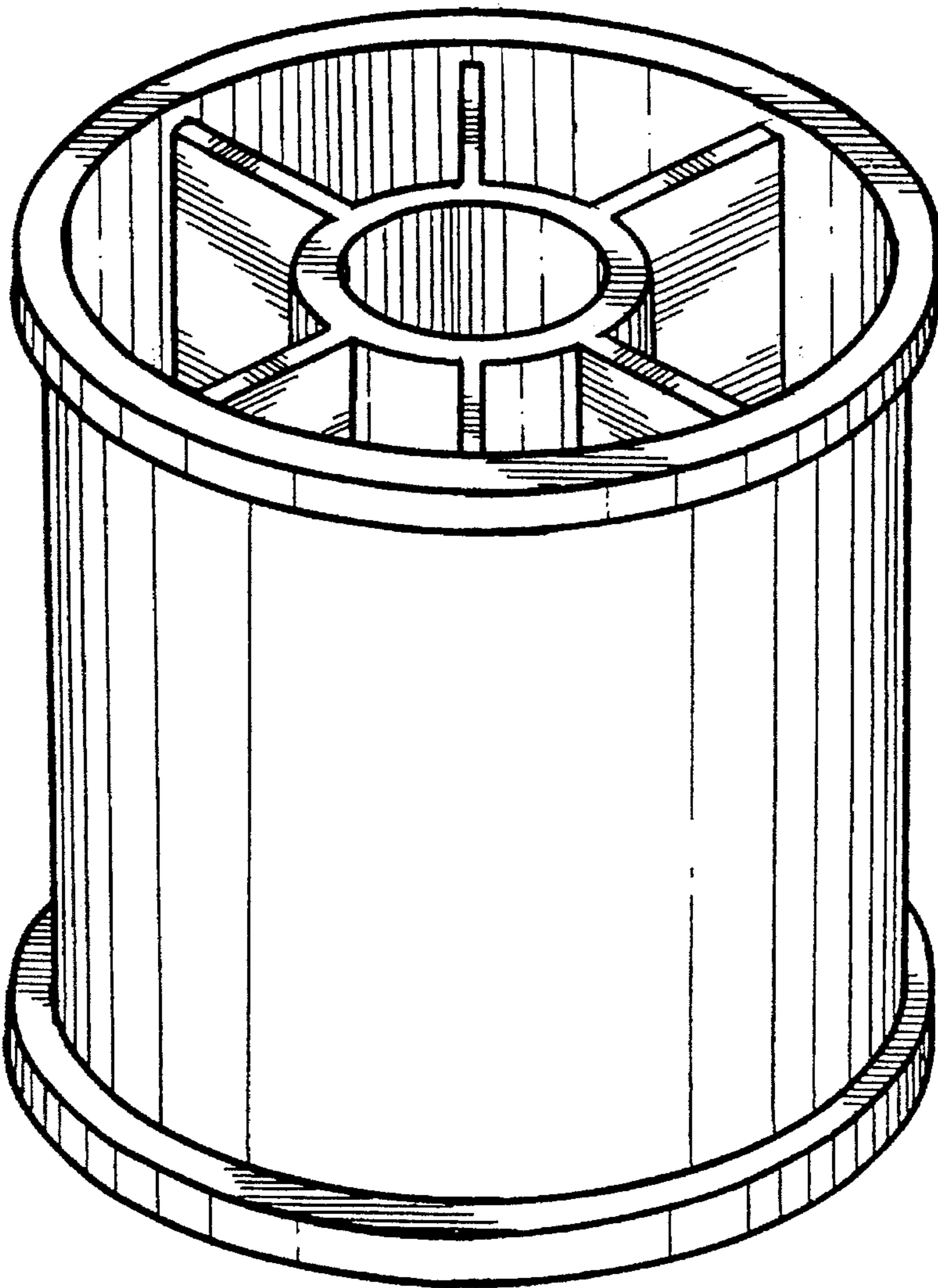
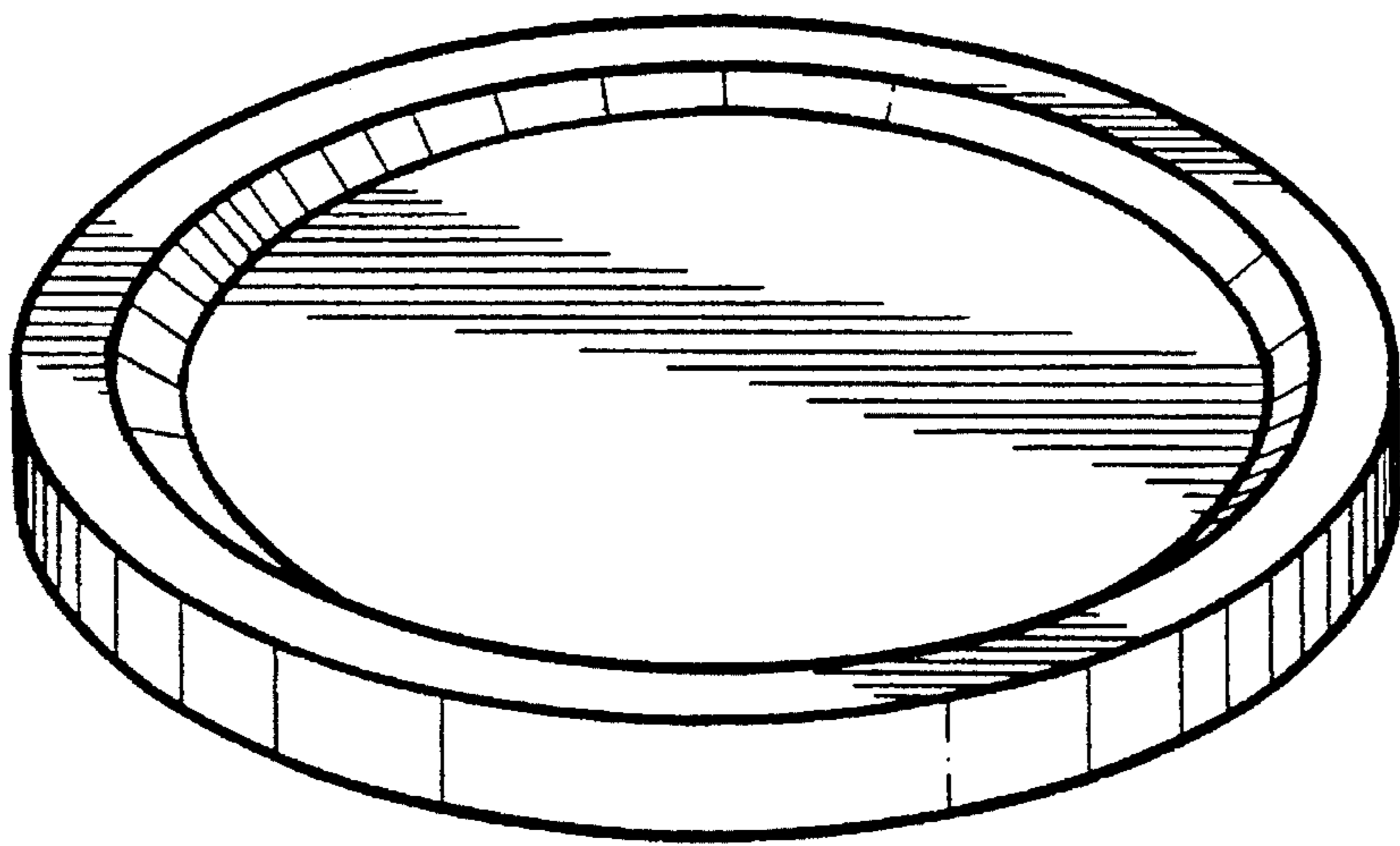


FIG.1.

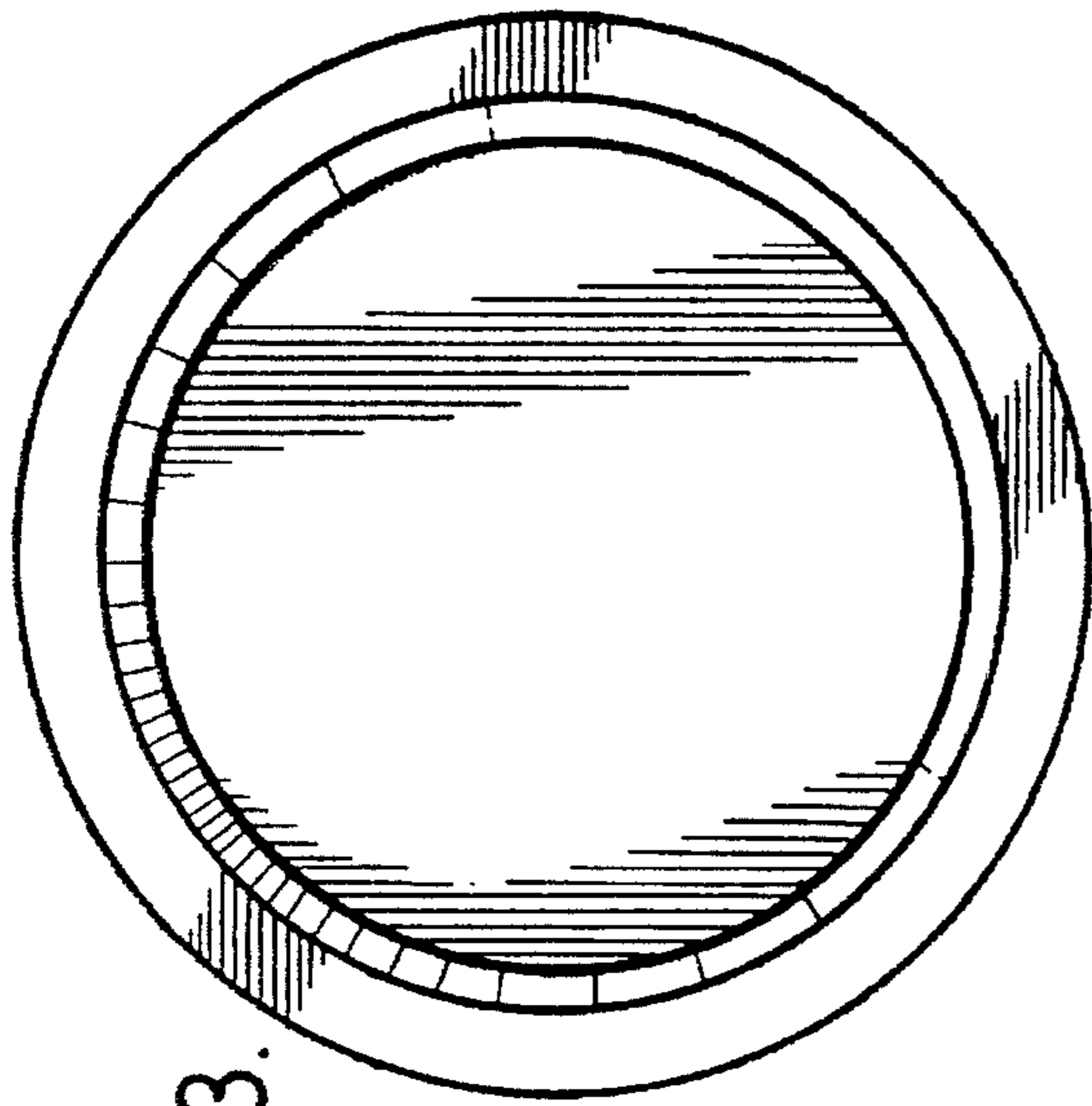


FIG. 3.

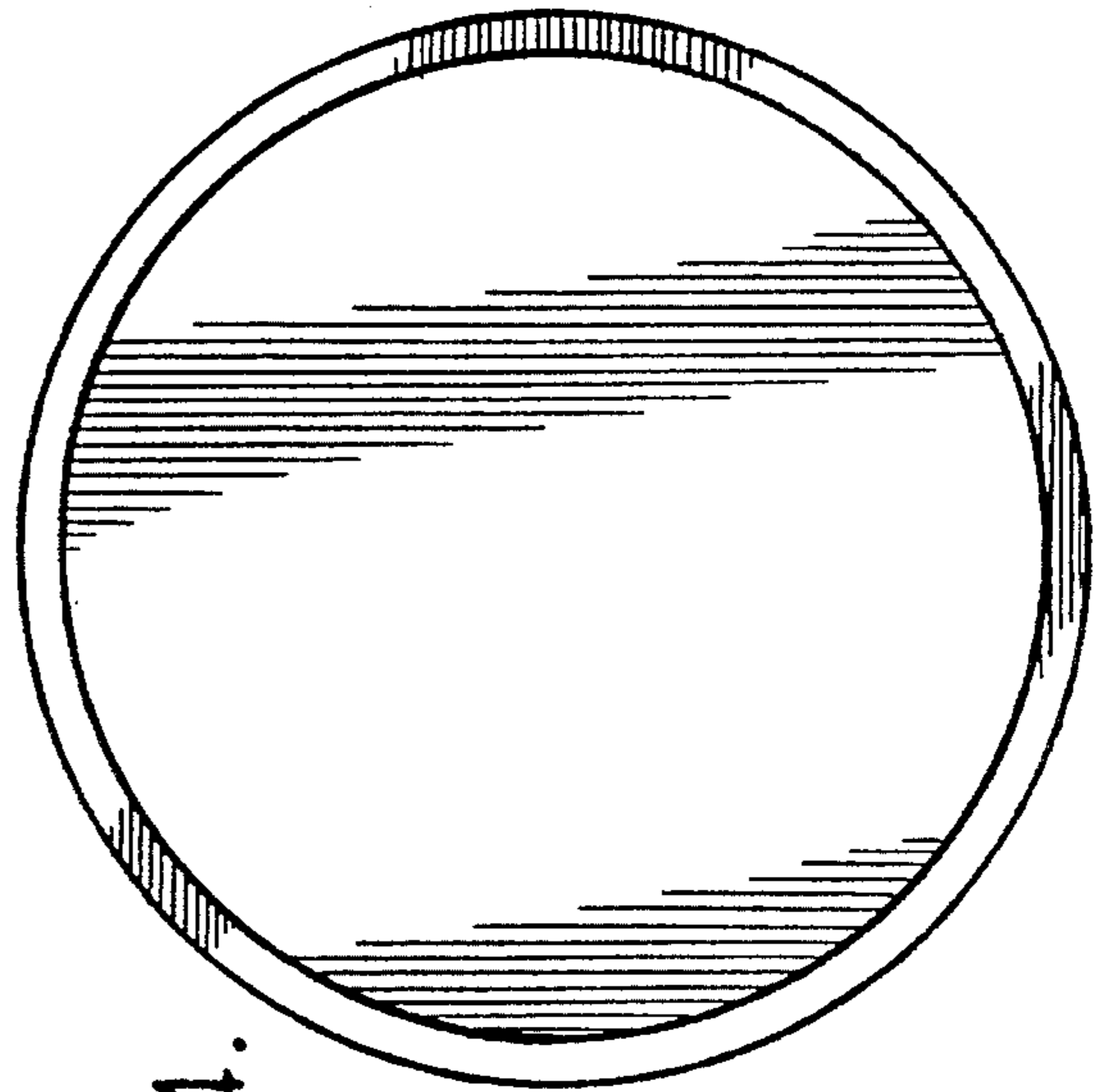


FIG. 4.

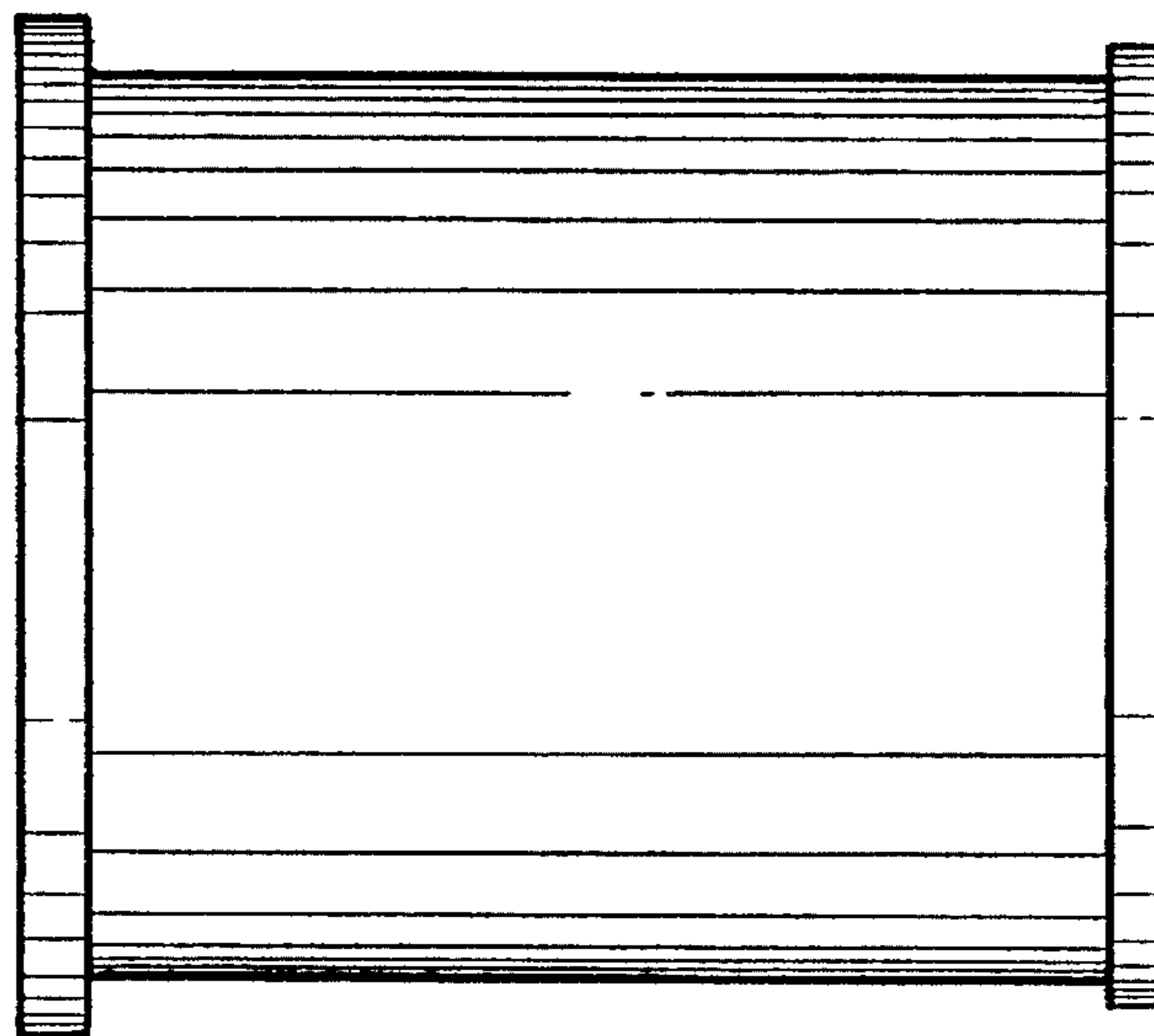


FIG. 2.