



US00D367407S

**United States Patent** [19]  
**Clark**

[11] **Patent Number: Des. 367,407**

[45] **Date of Patent: \*\*Feb. 27, 1996**

[54] **MEAT SLICING BOARD**

[76] Inventor: **Dean Clark**, Box 1821, Riverton, Wyo.  
82501

[\*\*] Term: **14 Years**

[21] Appl. No.: **17,905**

[22] Filed: **Jan. 24, 1994**

[52] U.S. Cl. .... **D7/698**

[58] Field of Search ..... D7/698; 269/289 R,  
269/291, 302.1, 303, 315, 900

[56] **References Cited**

**U.S. PATENT DOCUMENTS**

D. 270,601	9/1983	Price	.....	D7/698
D. 337,024	7/1993	Stickel, III	.....	D7/698 X
4,440,385	4/1984	Kingery	.....	D7/698 X

*Primary Examiner*—Alan P. Douglas

*Assistant Examiner*—Caron D. Veynar  
*Attorney, Agent, or Firm*—Lewis E. Massie

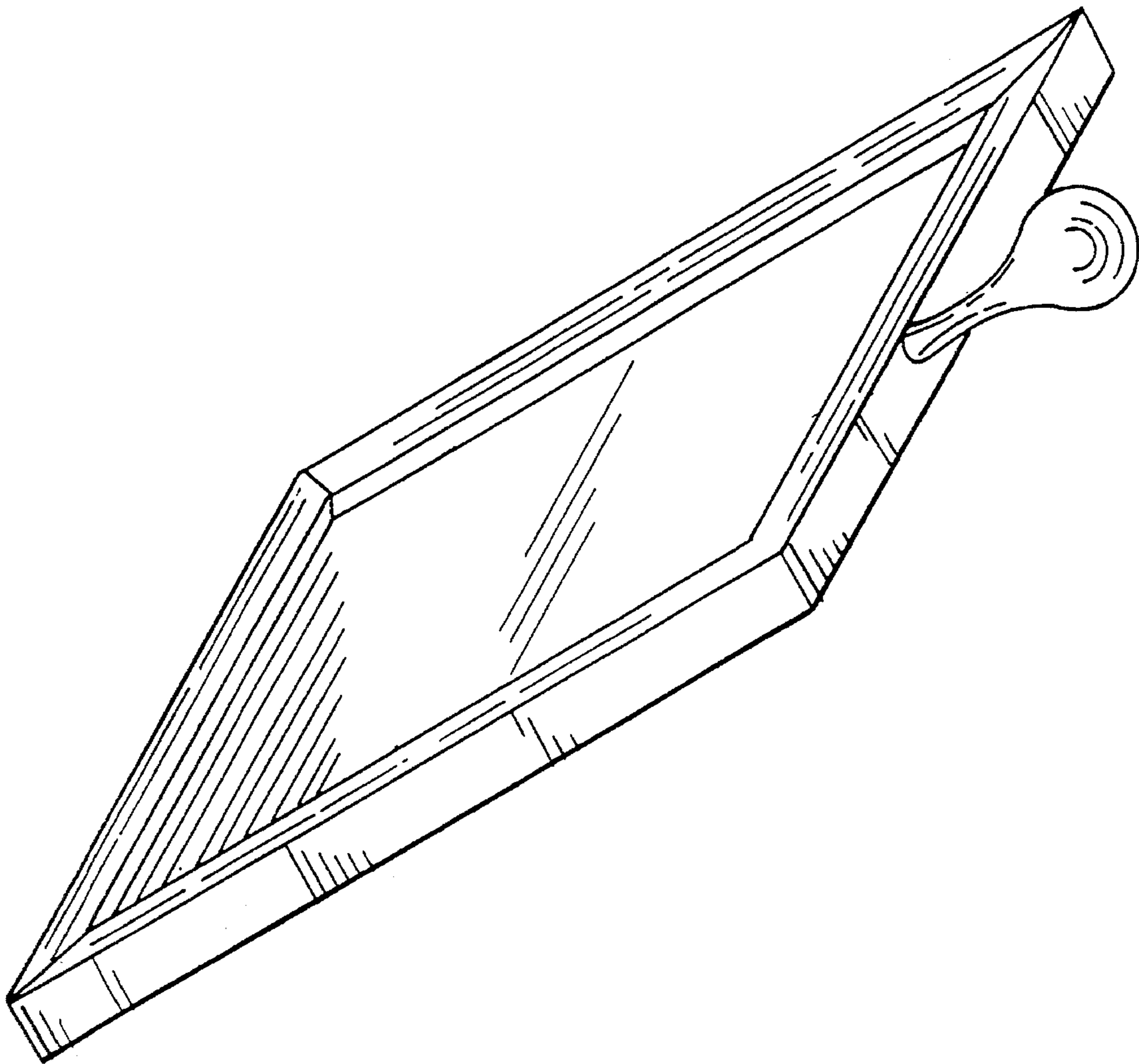
[57] **CLAIM**

The ornamental design for a meat slicing board, as shown and described.

**DESCRIPTION**

FIG. 1 is a front, top perspective view of my new and original design for a meat slicing board;  
FIG. 2 is a bottom perspective view thereof;  
FIG. 3 is a left end view thereof;  
FIG. 4 is a right end view thereof;  
FIG. 5 is a top view thereof the bottom view being a mirror image thereof; and,  
FIG. 6 is a front view thereof the back view being a mirror image thereof.

**1 Claim, 2 Drawing Sheets**



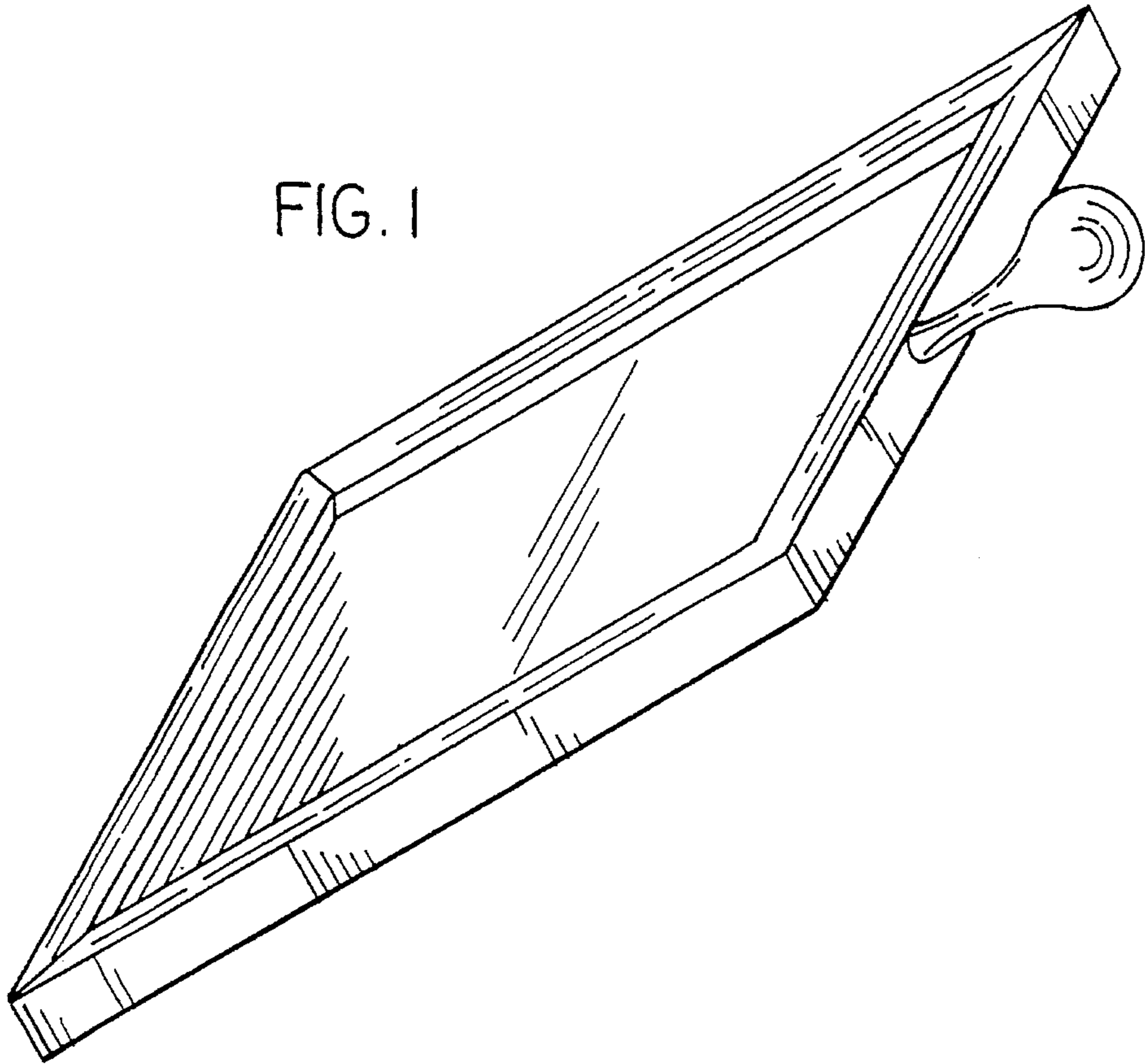


FIG. 1

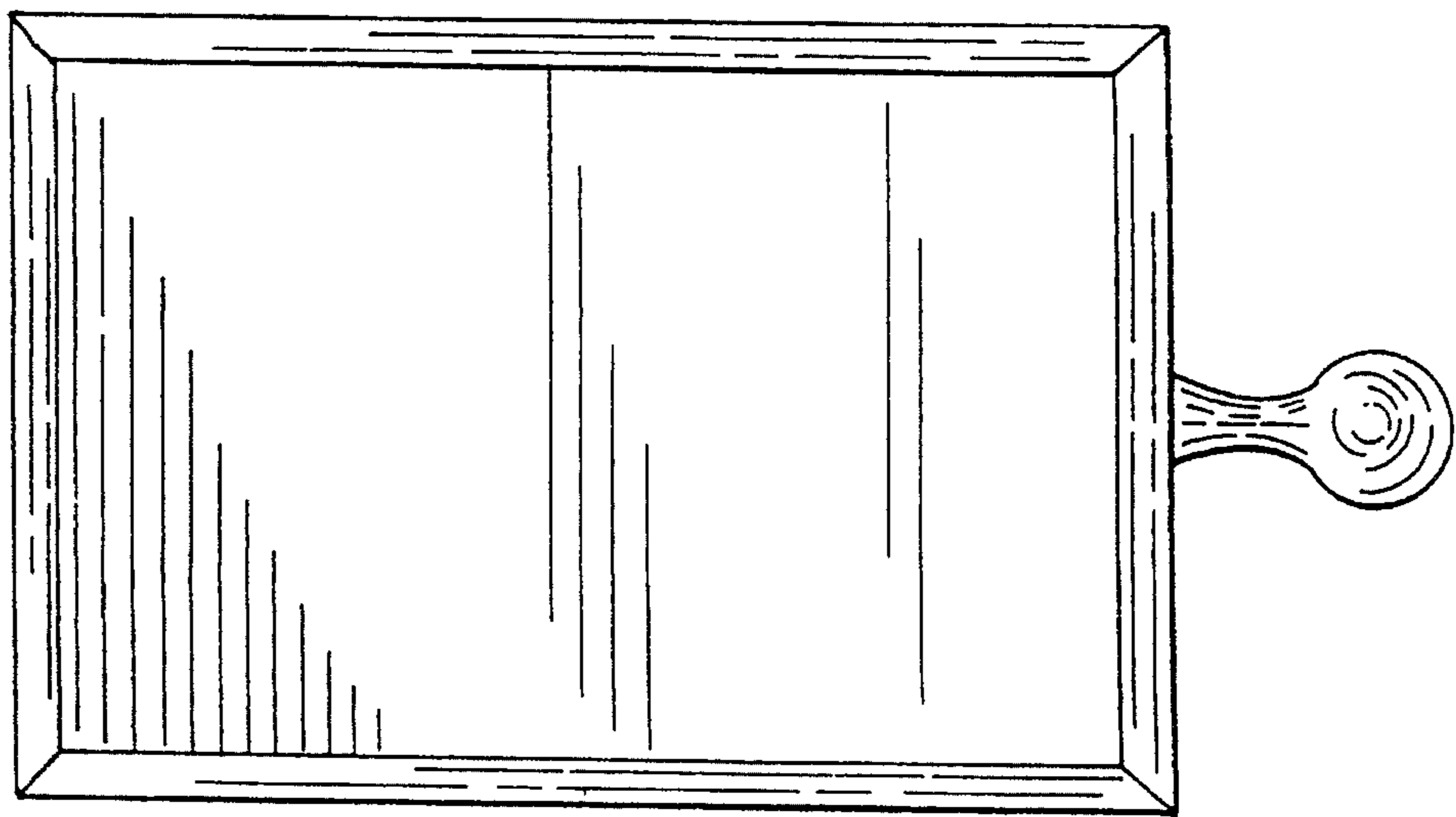


FIG. 5

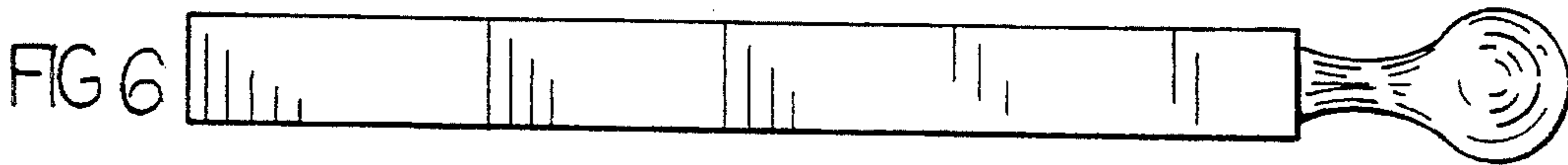


FIG 6

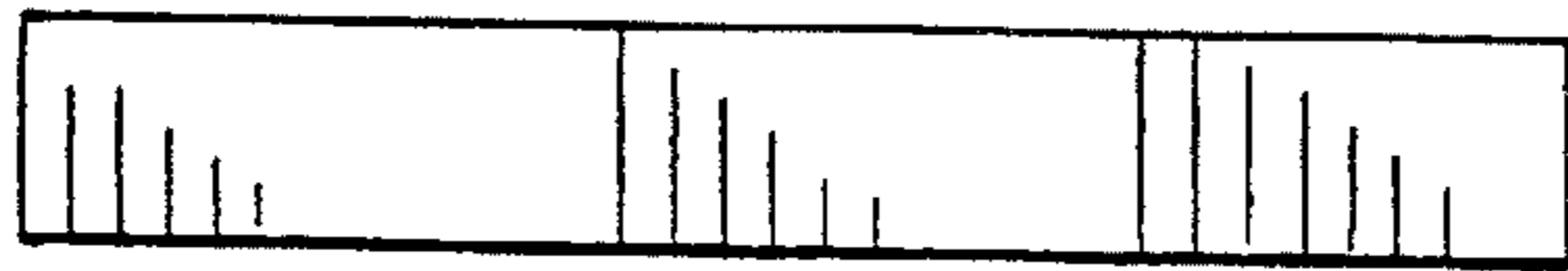


FIG. 3

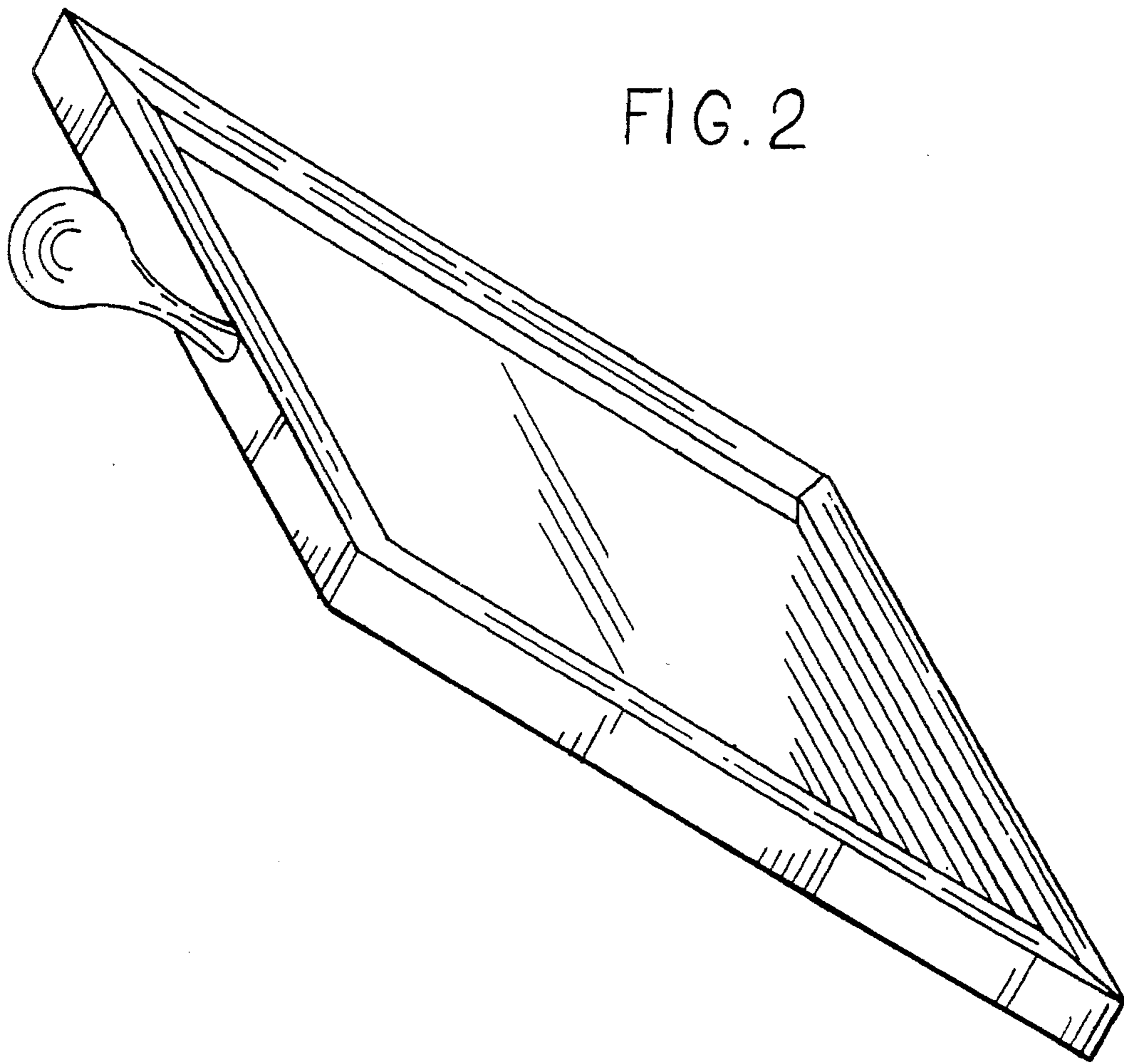


FIG. 2

FIG. 4

