



US00D367403S

United States Patent [19]

[11] Patent Number: **Des. 367,403**

Rivlin et al.

[45] Date of Patent: ***** Feb. 27, 1996**

[54] **COMBINED FOOD CONTAINER AND TOY BUILDING BLOCK CONNECTORS**

[76] Inventors: **Eitan Rivlin**, 22 Zondak St., Jerusalem;
Yossi Walker, 15 Hagoren St., Efrat,
both of Israel

[*] Notice: The portion of the term of this patent subsequent to Oct. 31, 2009, has been disclaimed.

[**] Term: **14 Years**

[21] Appl. No.: **10,565**

[22] Filed: **Jul. 12, 1993**

[30] **Foreign Application Priority Data**

Jan. 12, 1993 [IL] Israel 20338

[52] U.S. Cl. **D7/602**; D21/108

[58] Field of Search D7/601, 602, 629,
D7/543, 545; D9/414, 424, 430-432; D21/108;
206/509; 220/23.4, 23.6, 23.83

[56] **References Cited**

U.S. PATENT DOCUMENTS

D. 114,193 4/1939 Mahler D9/431

D. 235,621 7/1975 Cawrse D9/425
D. 240,114 6/1976 Martinelli D9/425 X
2,695,115 11/1954 Roop D7/615 X
4,067,475 1/1978 Pinkau et al. D9/425 X
5,184,836 2/1993 Andrews et al. D9/425 X

Primary Examiner—Terry A. Wallace
Attorney, Agent, or Firm—Edward Langer

[57] **CLAIM**

The ornamental design for combined food container and toy building block connectors, as shown and described.

DESCRIPTION

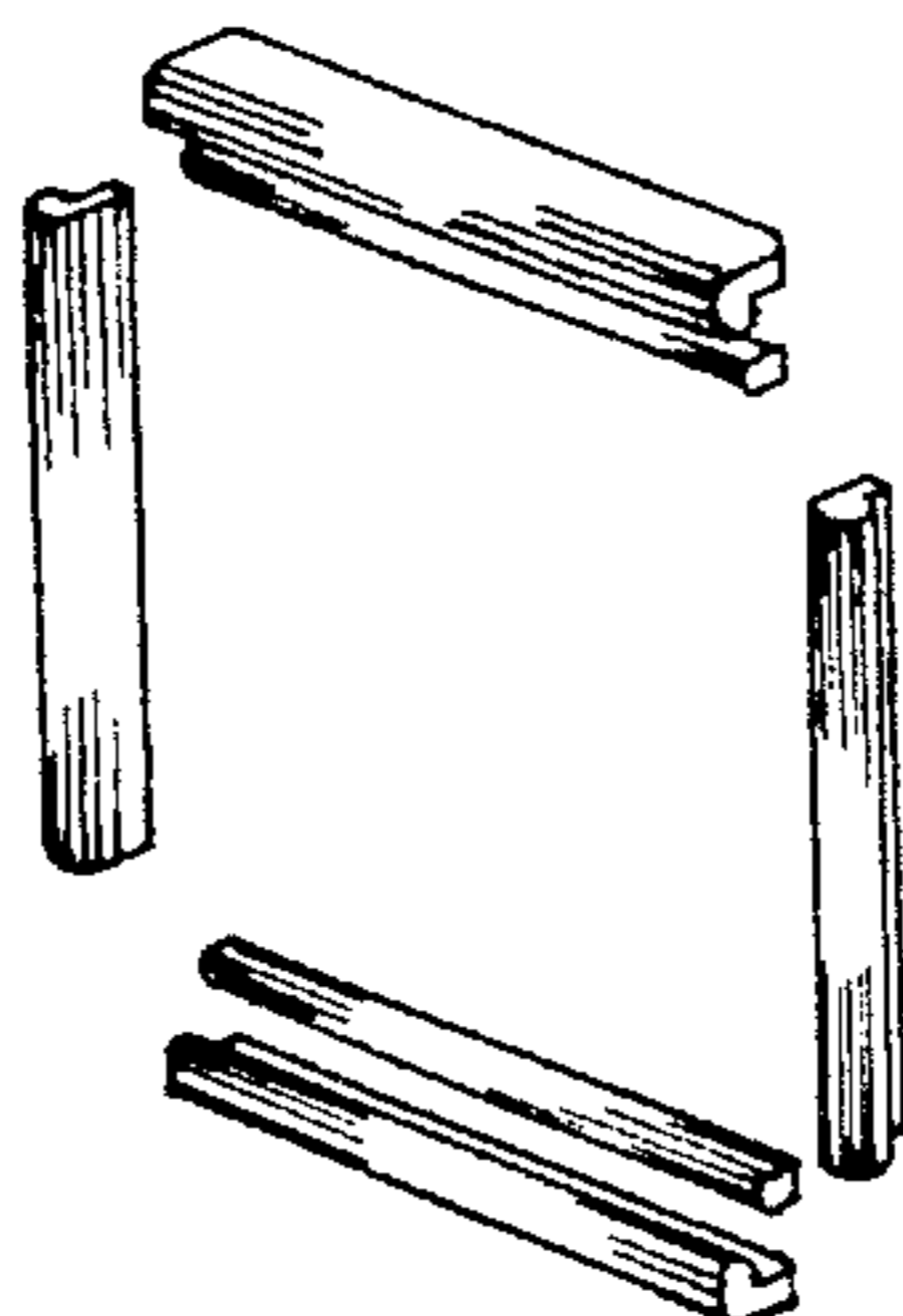
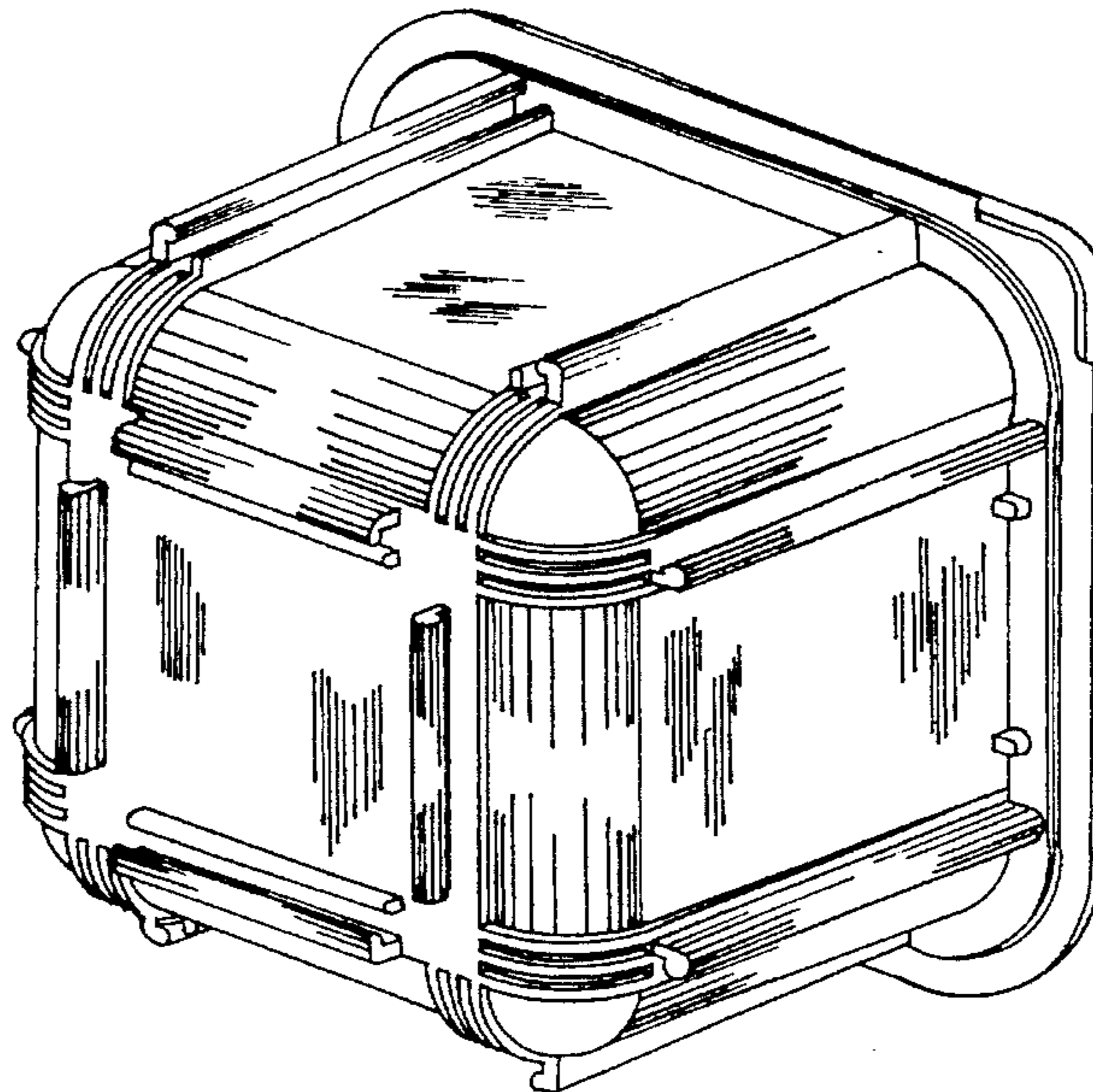
FIG. 1 is a top, rear, right side perspective view of a combined food container and toy building block connectors showing our new design, the undisclosed bottom view being identical to the top;

FIG. 2 is a front perspective view of the connectors shown separately for clarity of illustration;

FIG. 3 is a rear perspective view of the connectors shown separately for clarity of illustration; and,

FIG. 4 is a top, front, left side perspective view of the container of FIG. 1.

1 Claim, 2 Drawing Sheets



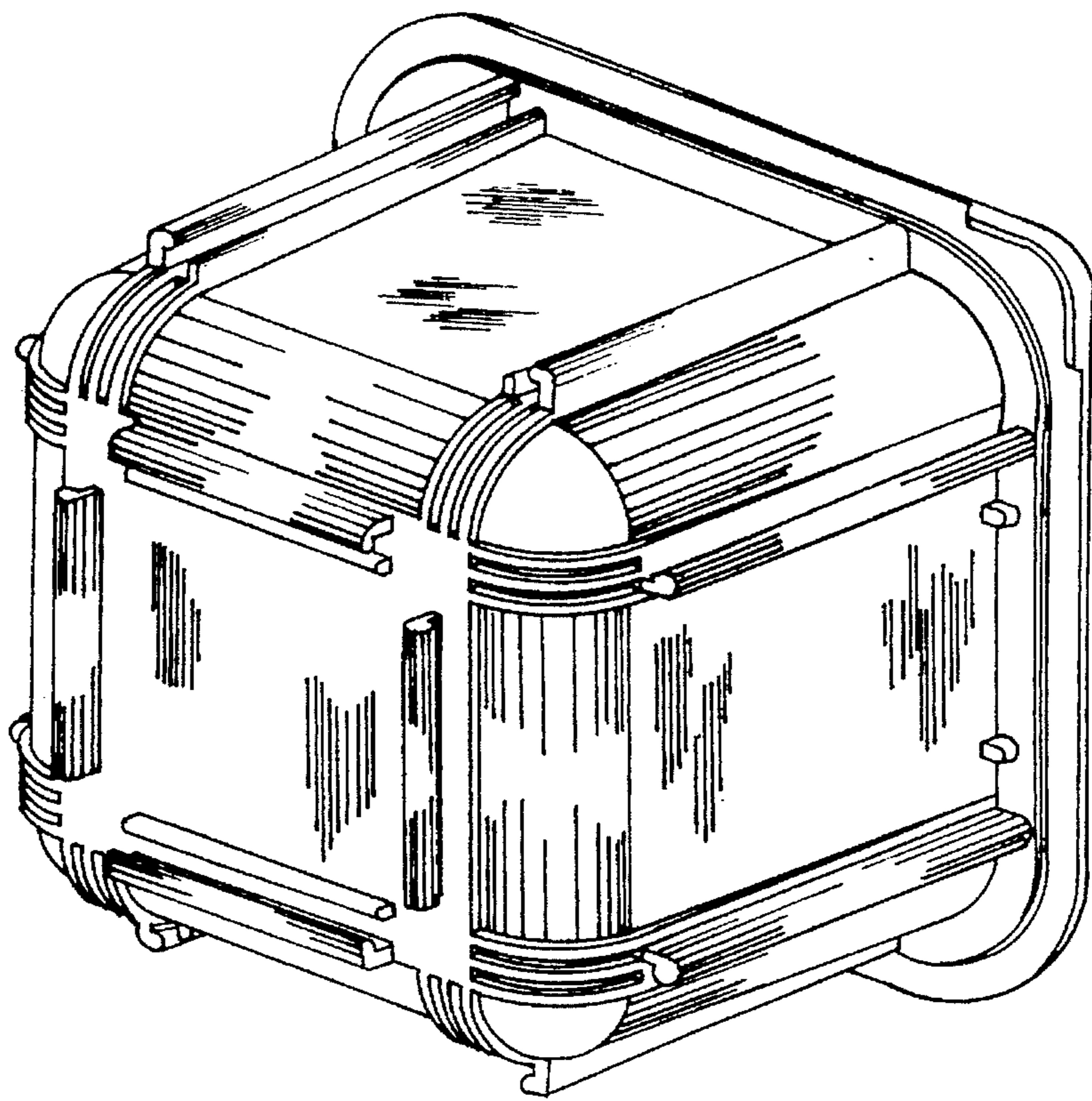


FIG. 1

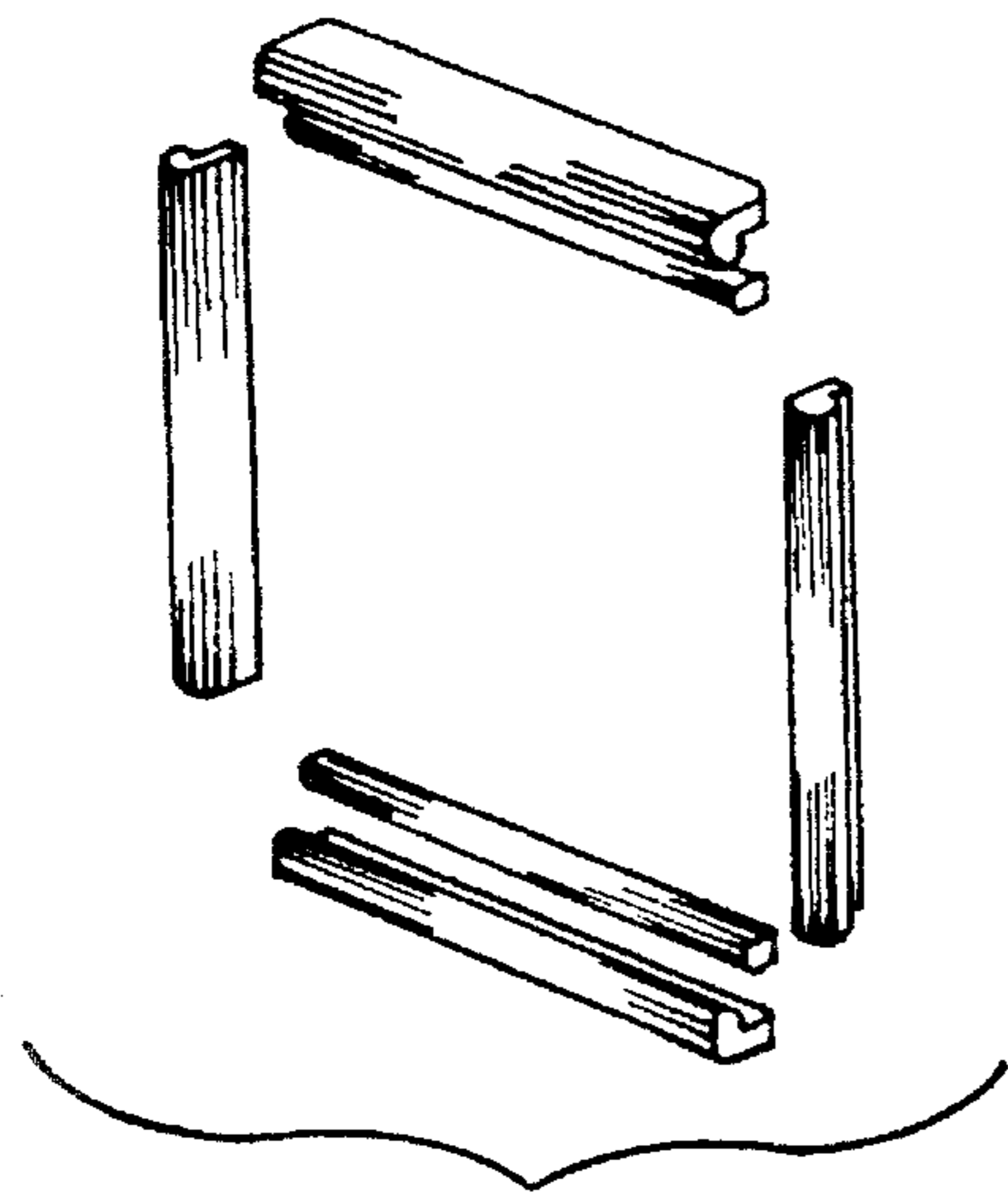


FIG. 2

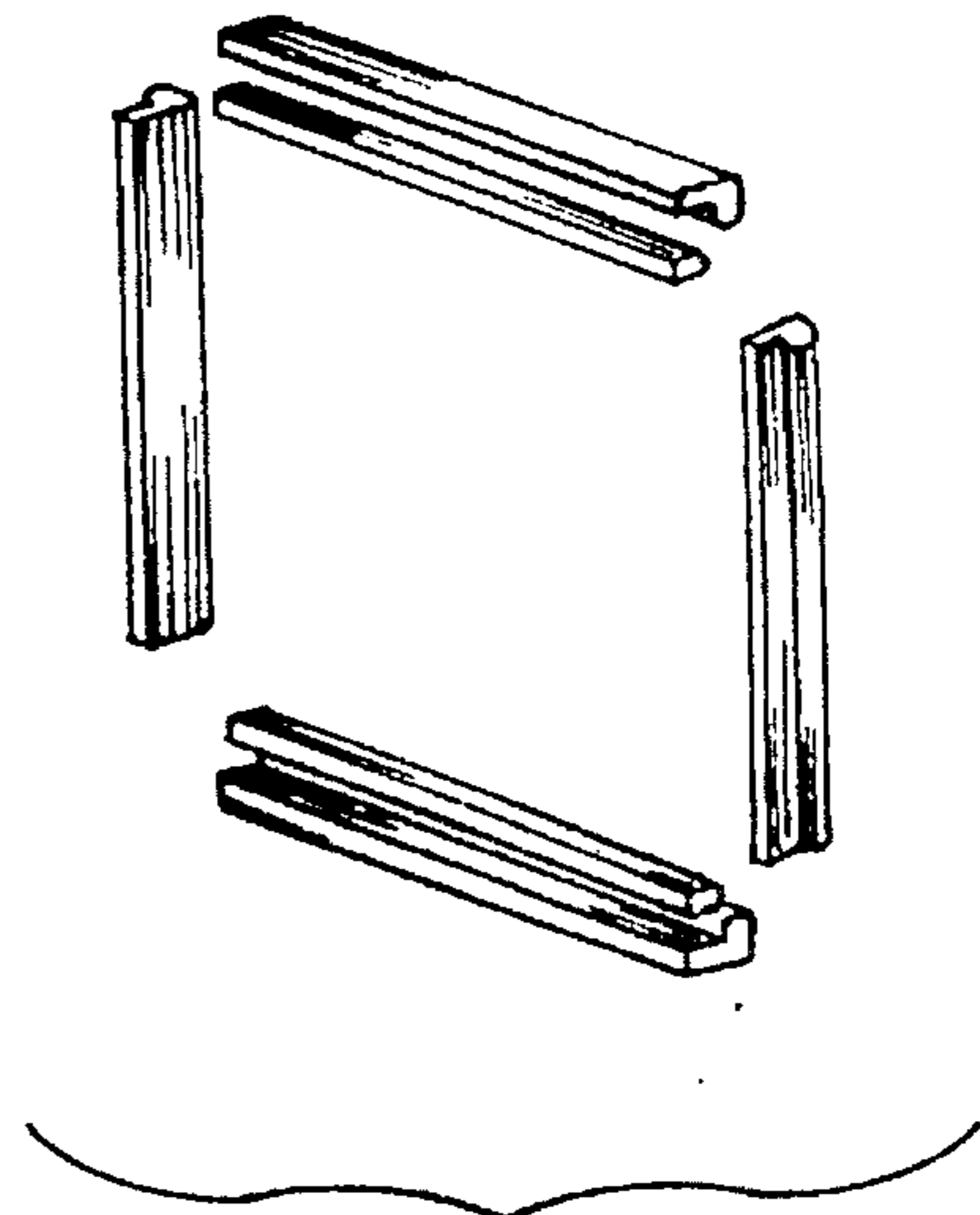


FIG. 3

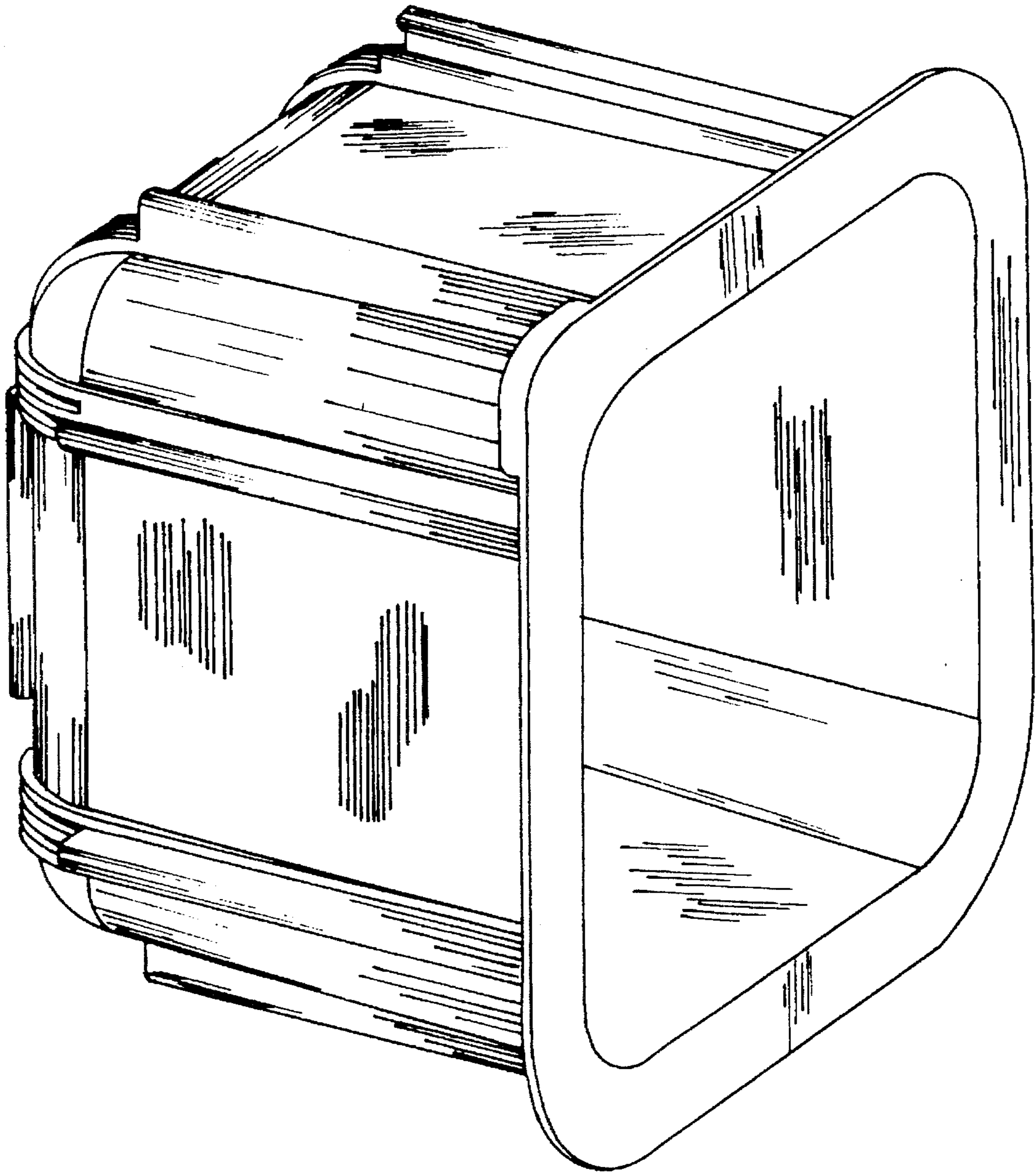


FIG. 4